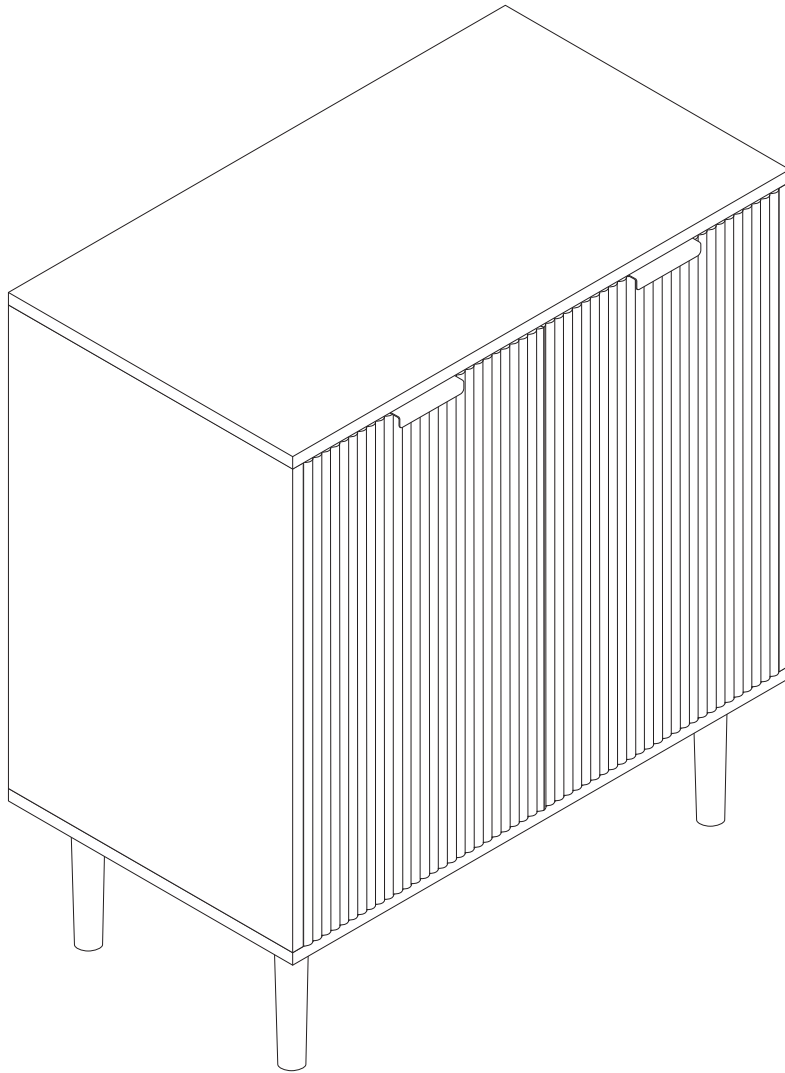
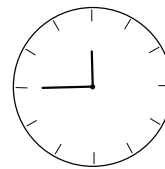
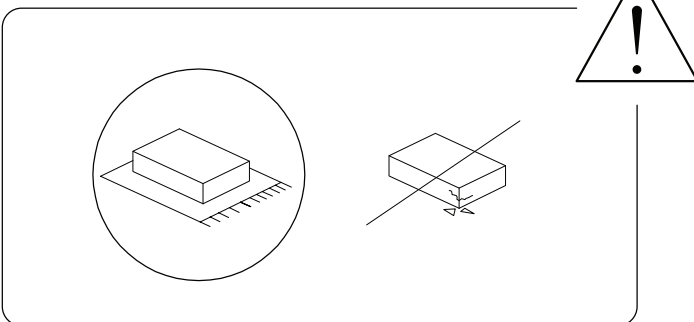
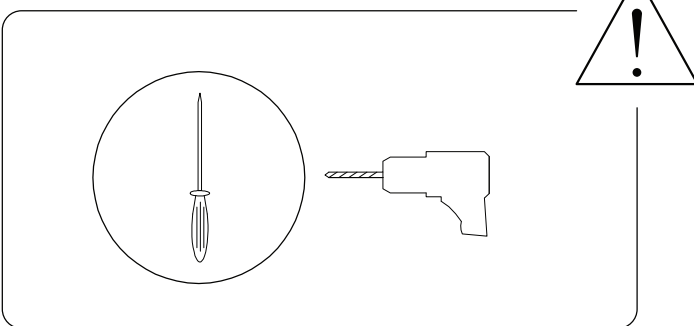
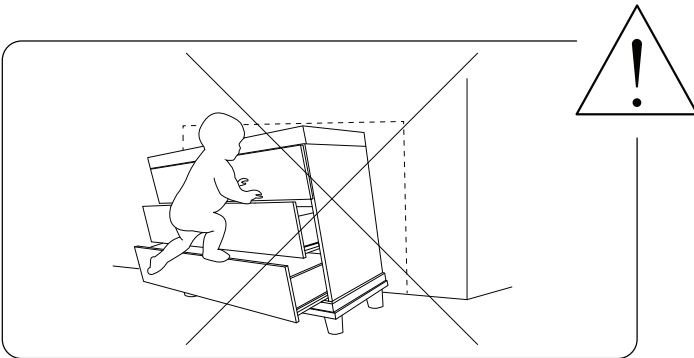
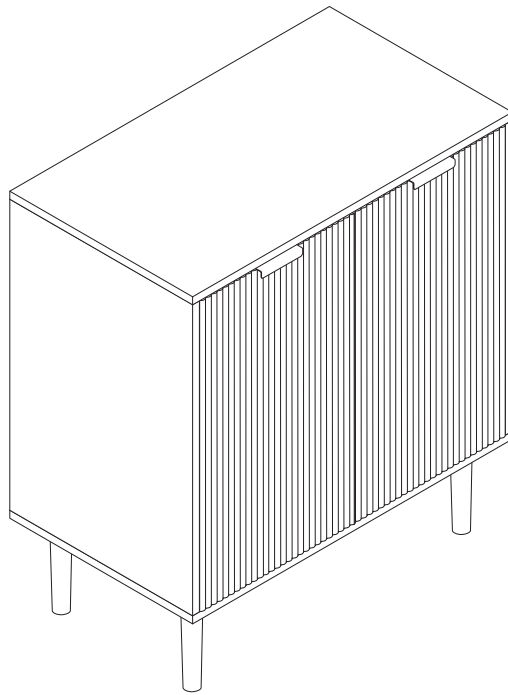
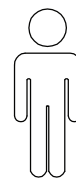


SOHO

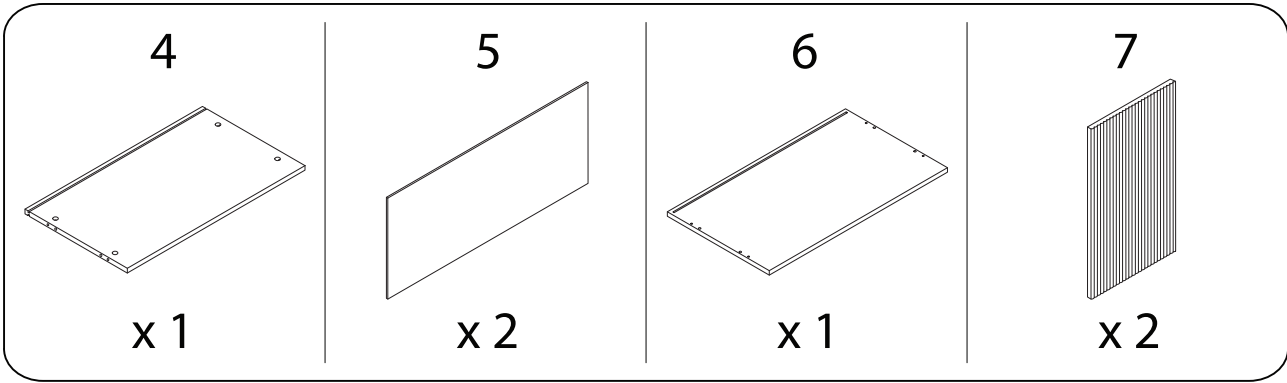
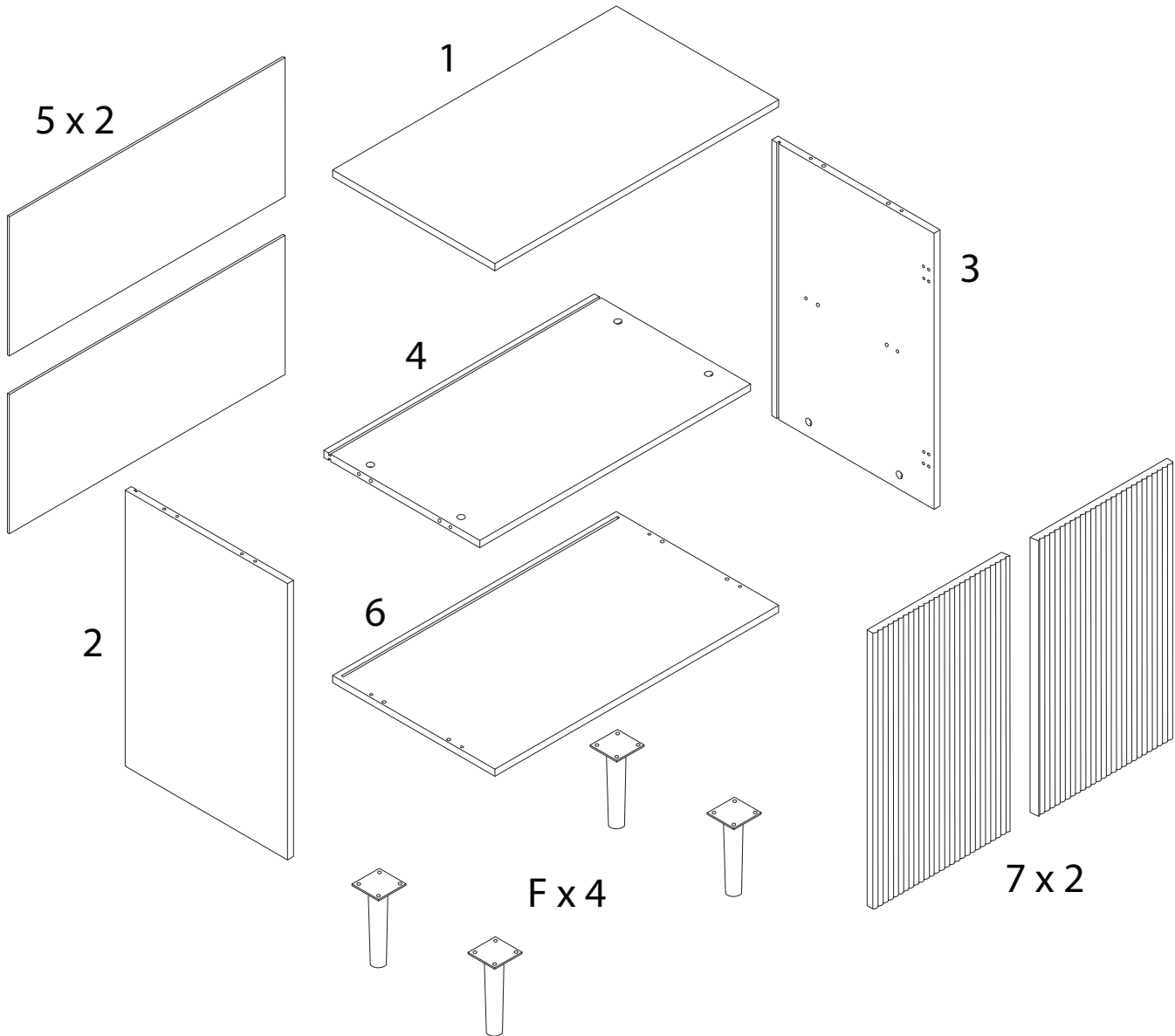
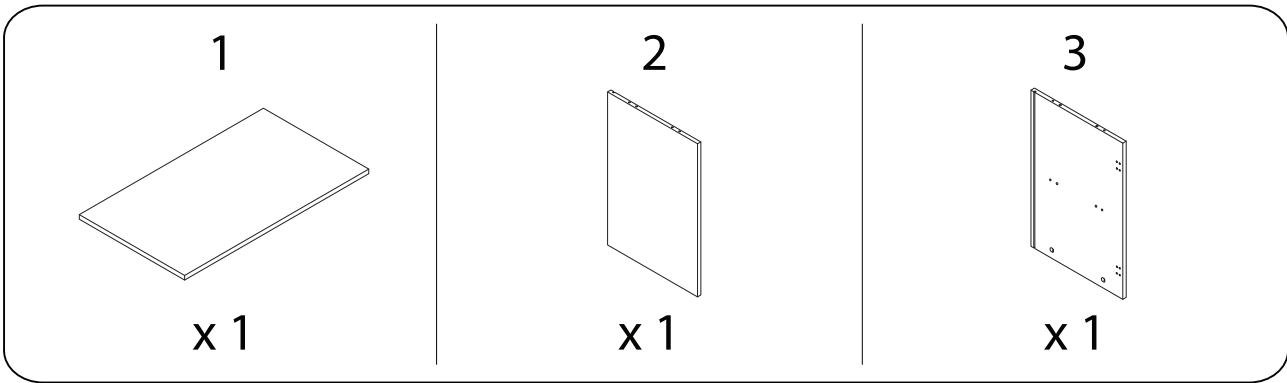




45'



1

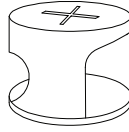


A



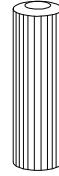
x 8

B



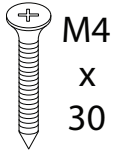
x 8

C



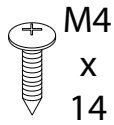
x 12

D



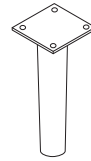
x 6

E



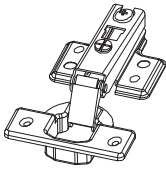
x 18

F



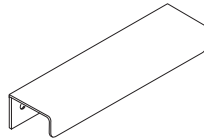
x 4

G



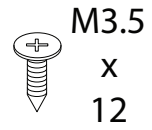
x 4

H



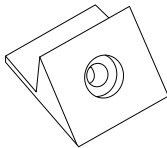
x 2

I



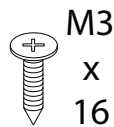
x 28

J



x 8

K



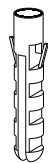
x 8

L



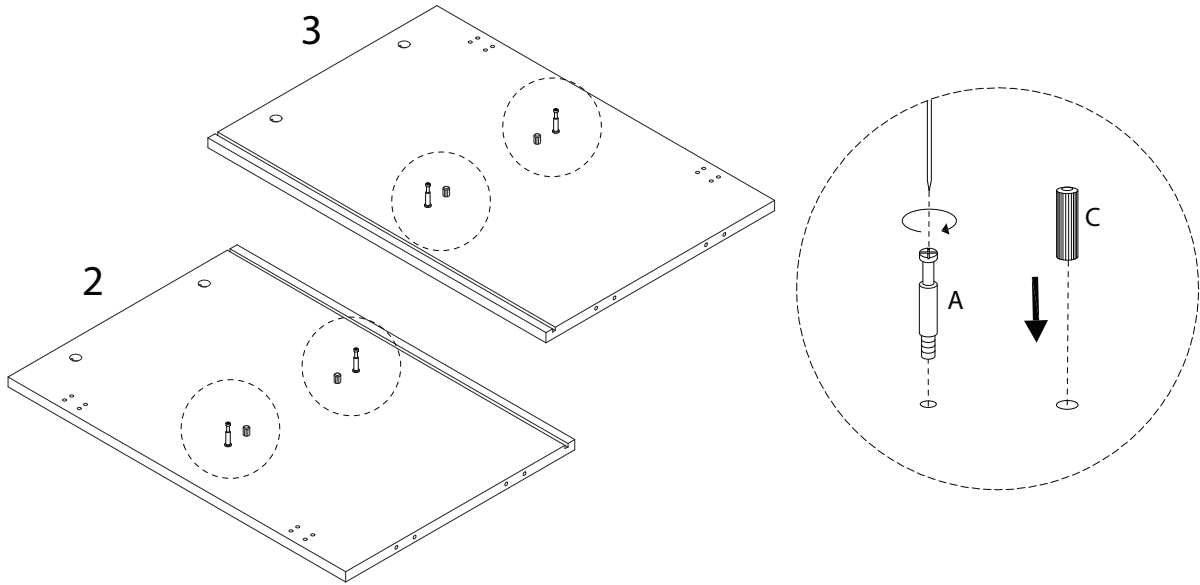
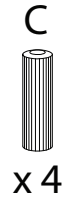
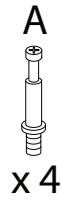
x 2

M

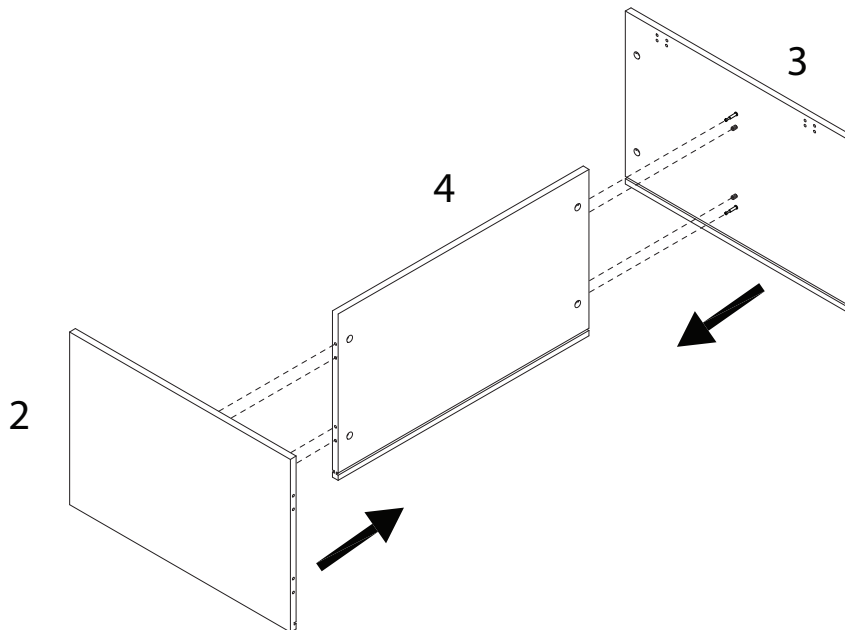
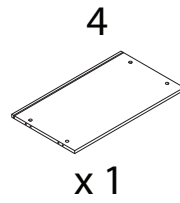


x 2

1



2

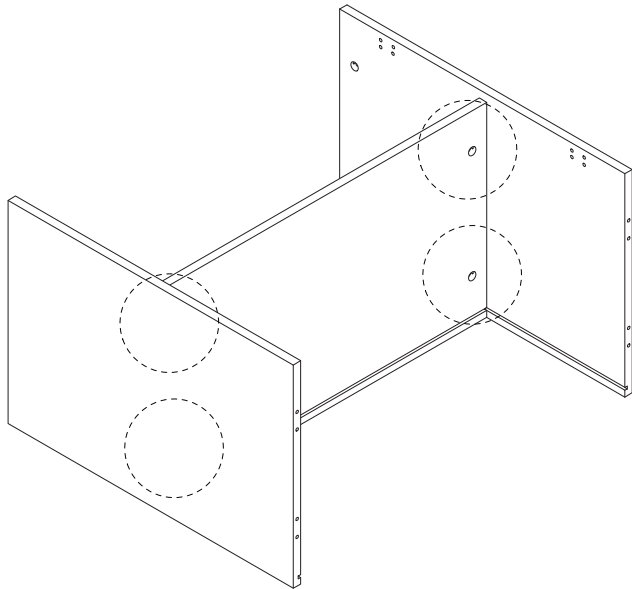


3

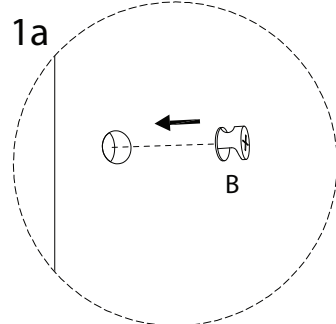
B



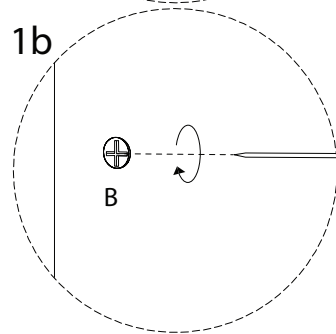
x 4



1a

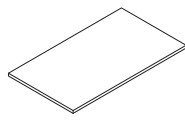


1b



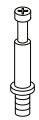
4

1



x 1

A

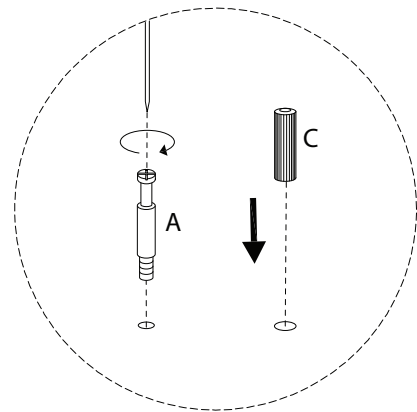
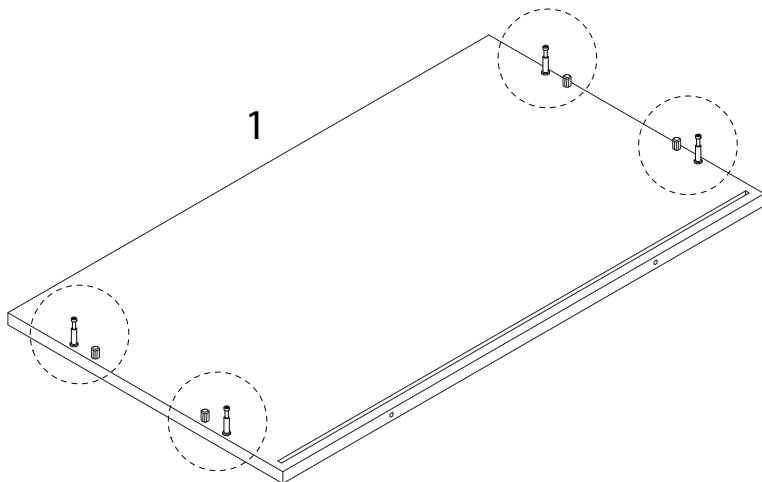


x 4

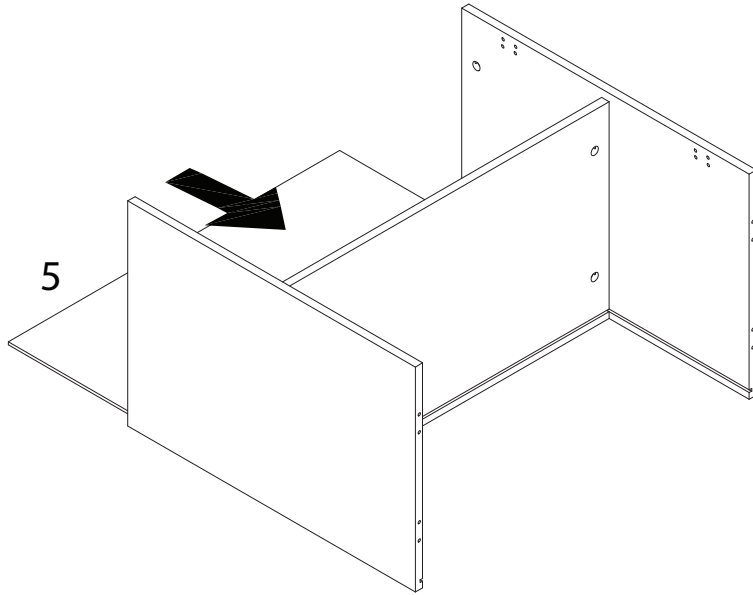
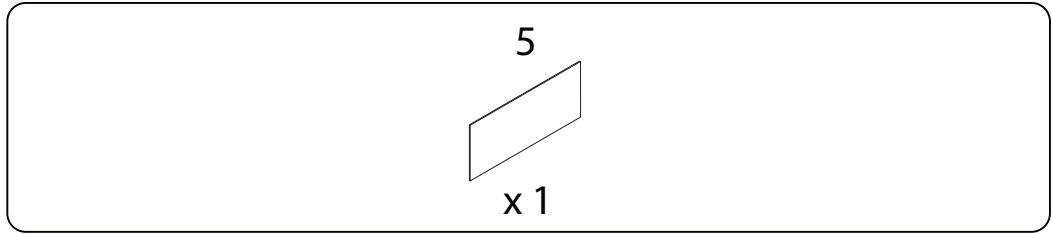
C



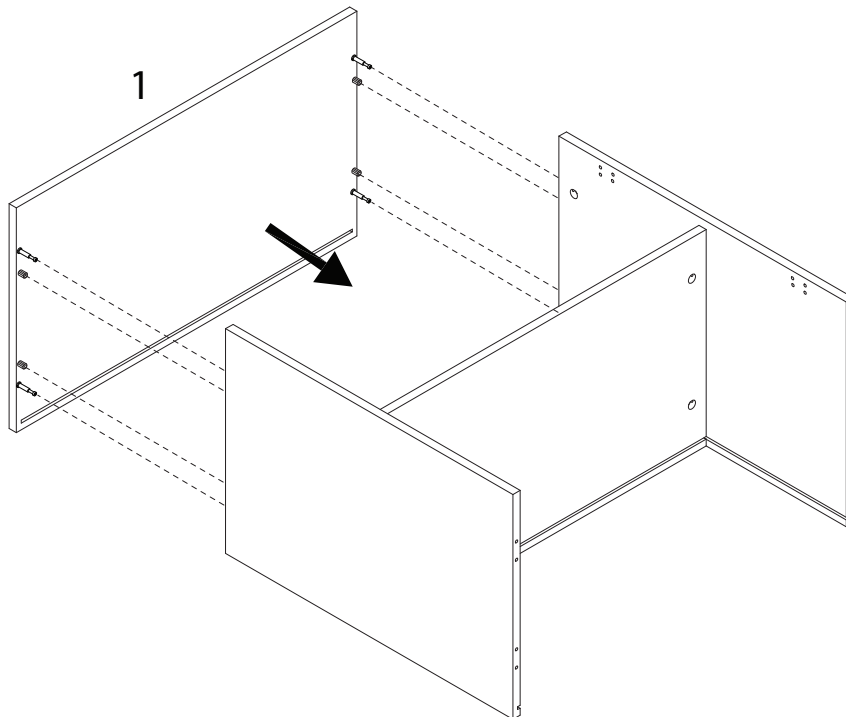
x 4



5



6

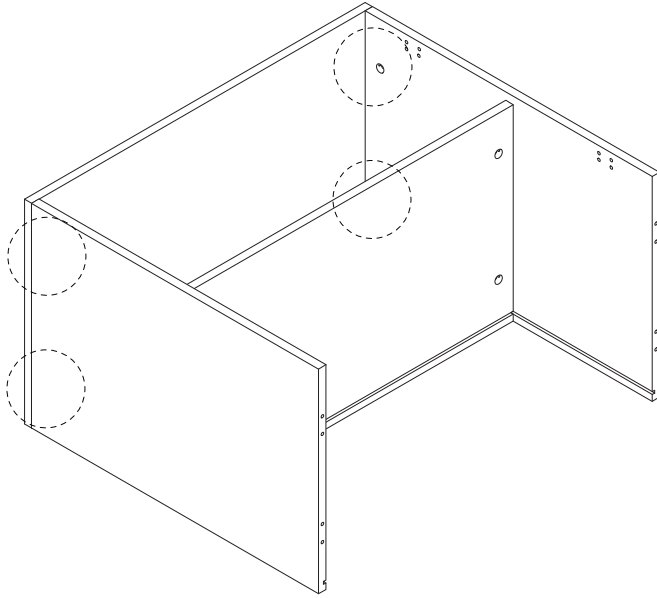


7

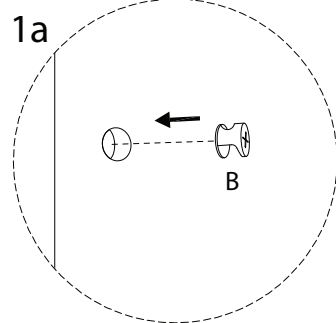
B



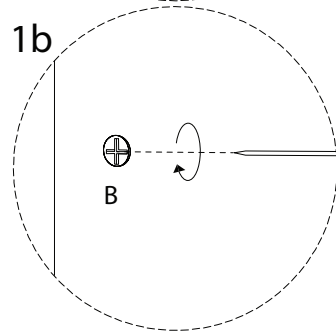
x 4



1a

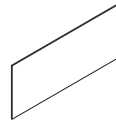


1b

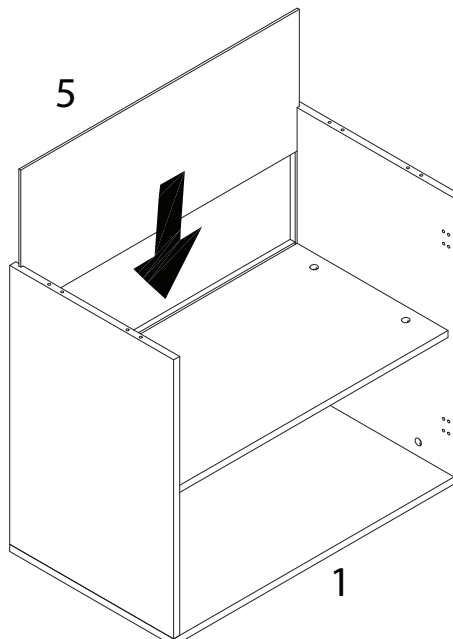


8

5

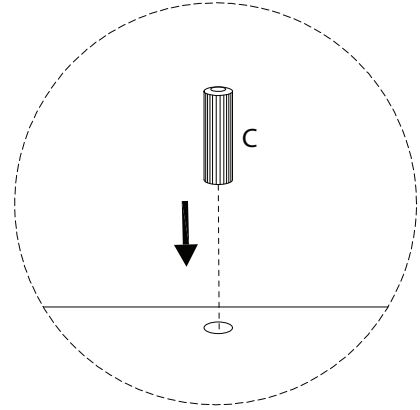
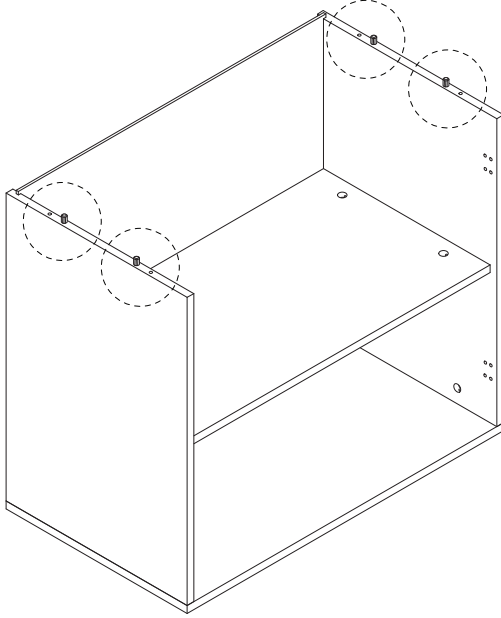


x 1



9

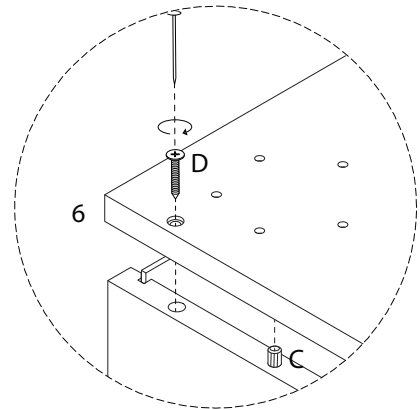
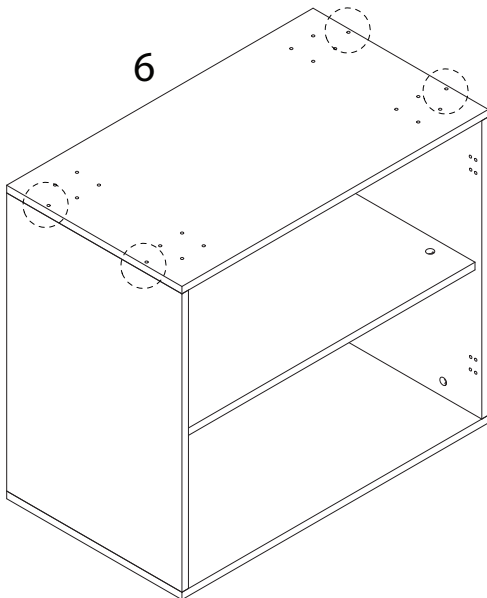
C
x 4



10

6
x 1

D
M4
x
30
x 4



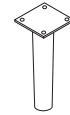
11

E

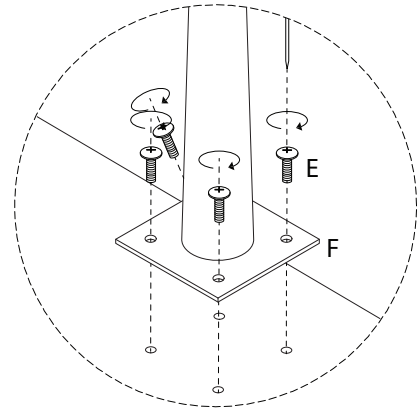
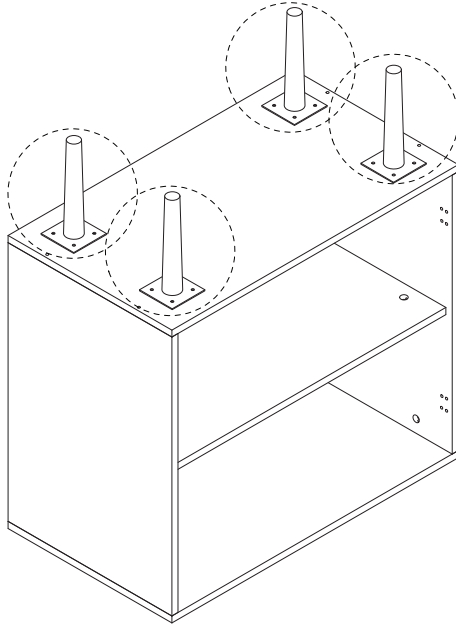


x 16

F



x 4



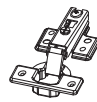
12 x 2

7



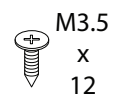
x 1

G

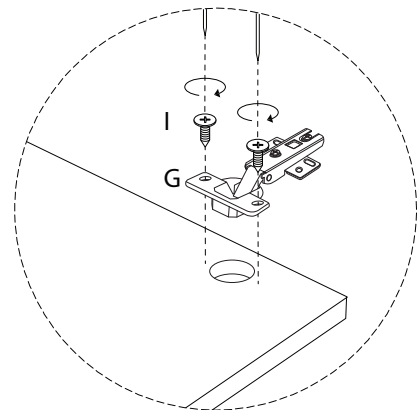
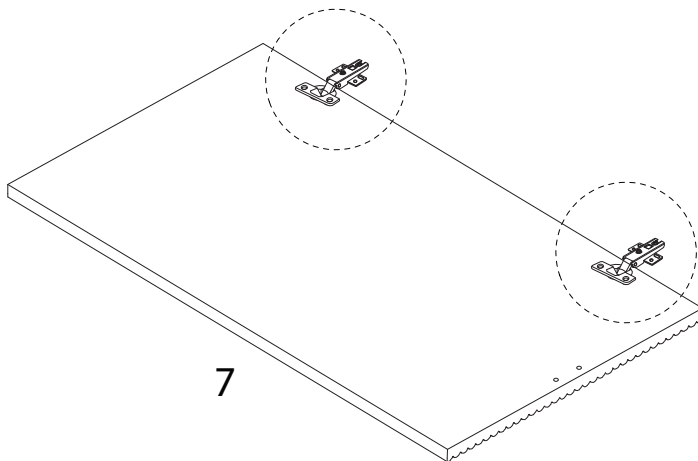


x 2

I

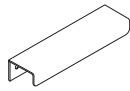


x 4



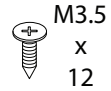
13 x 2

H



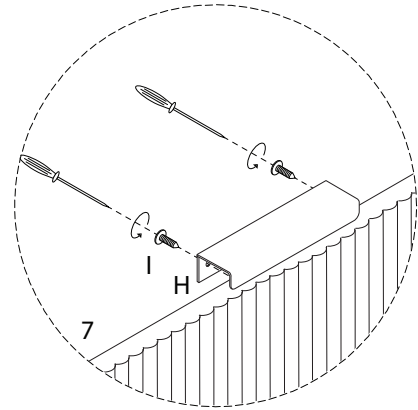
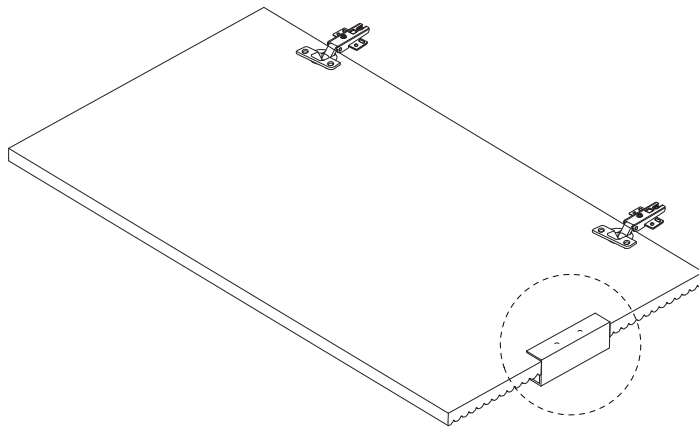
x 1

I



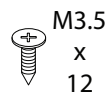
M3.5
x
12

x 2



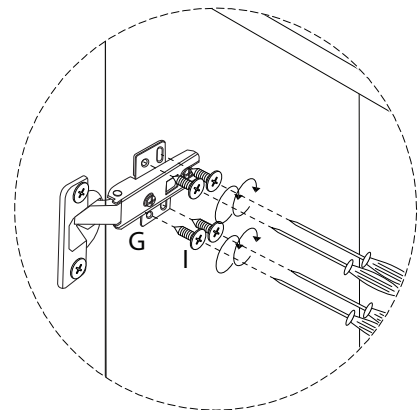
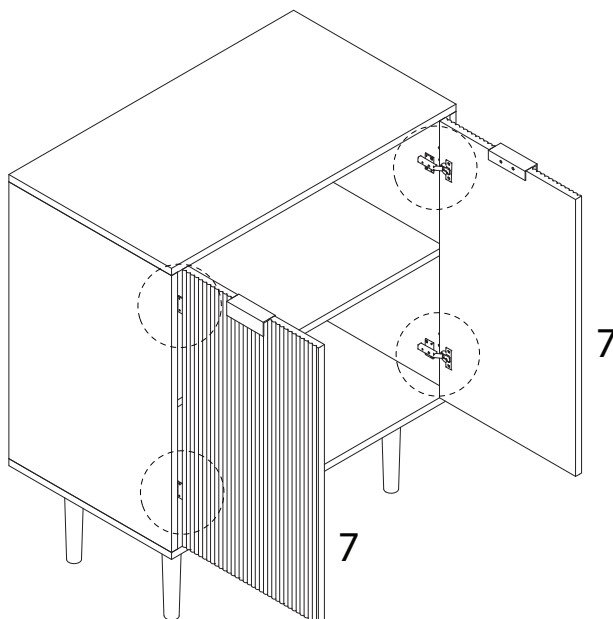
14

I



M3.5
x
12

x 16



15

J

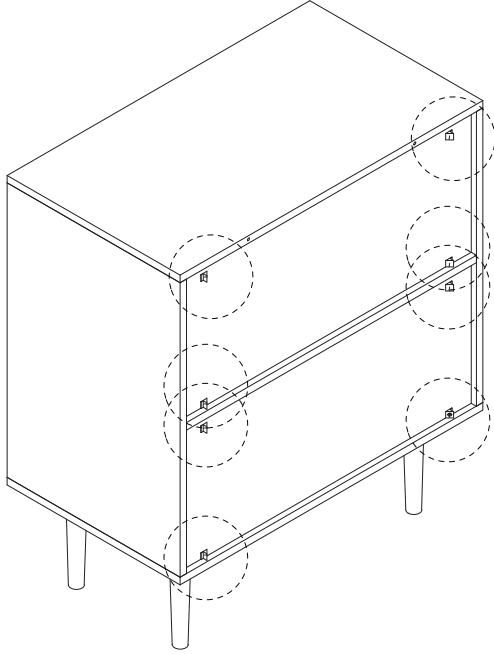


x 8

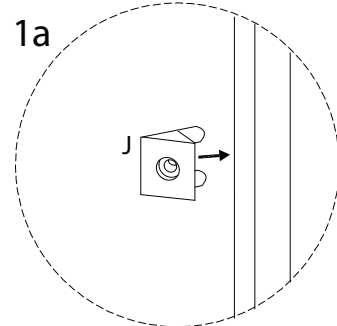
K



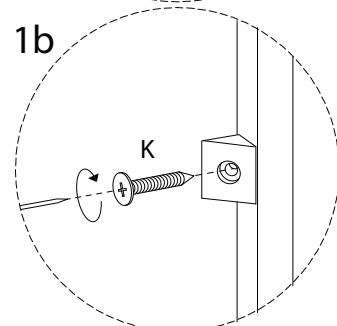
x 8



1a



1b



16

E

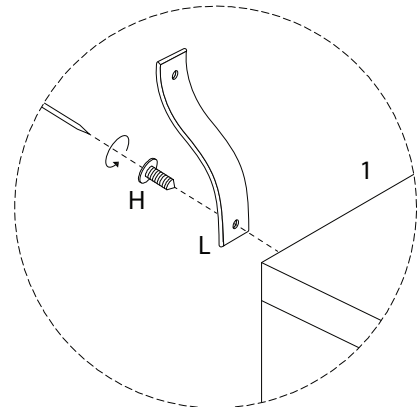
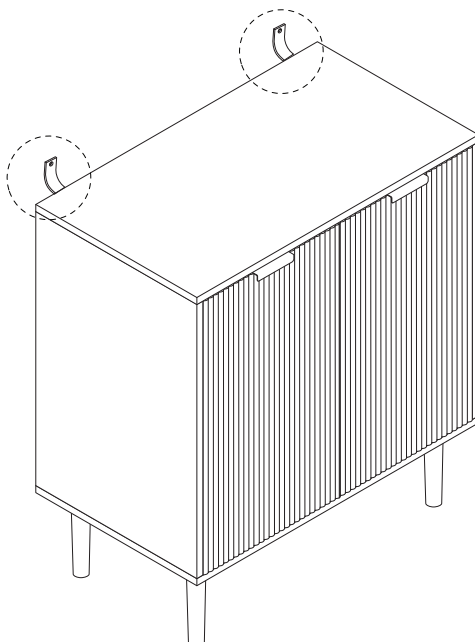


x 2

L



x 2



17

