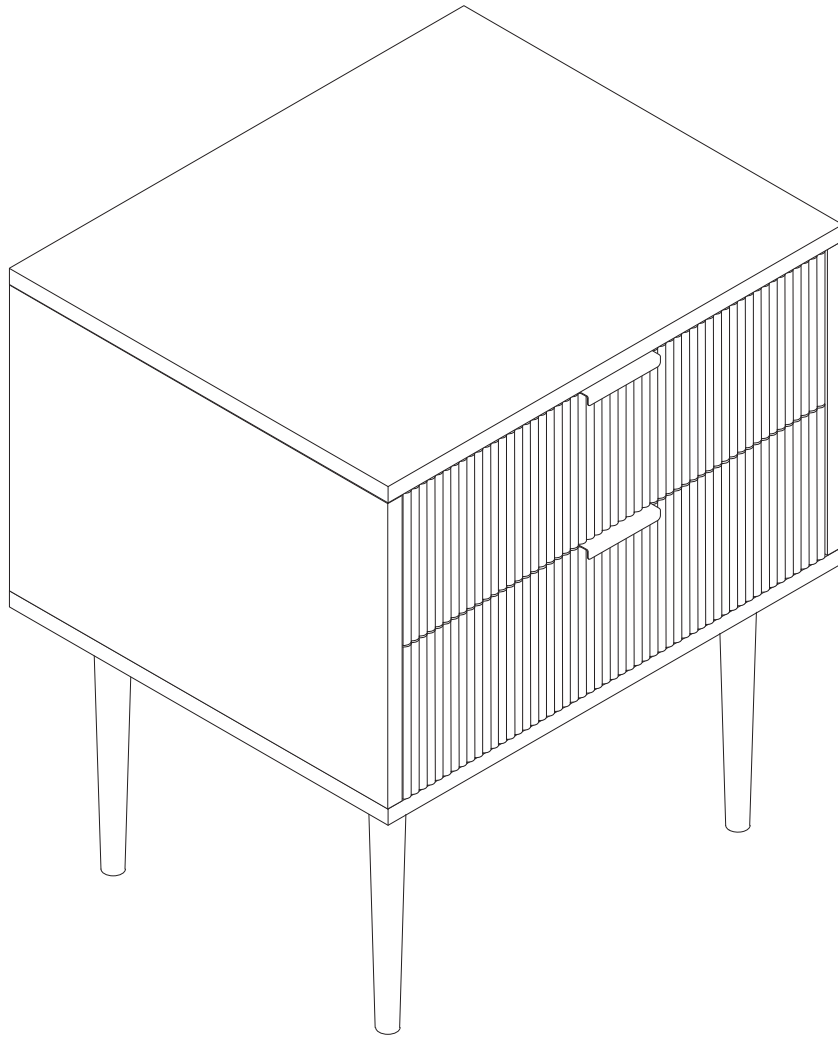
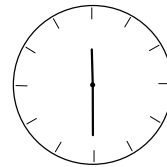
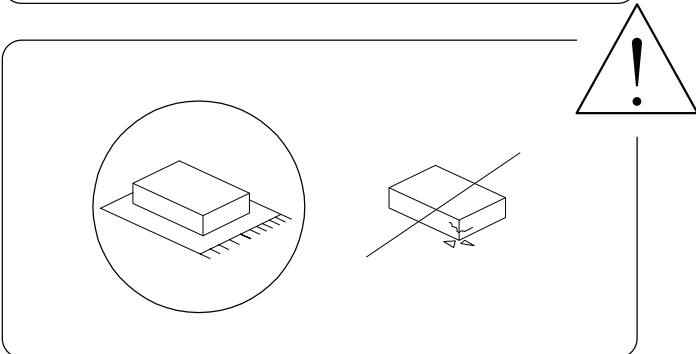
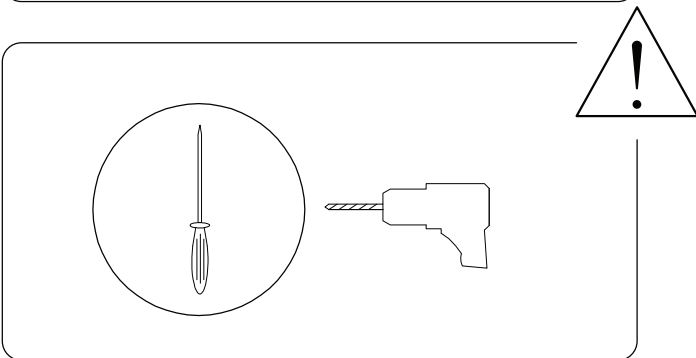
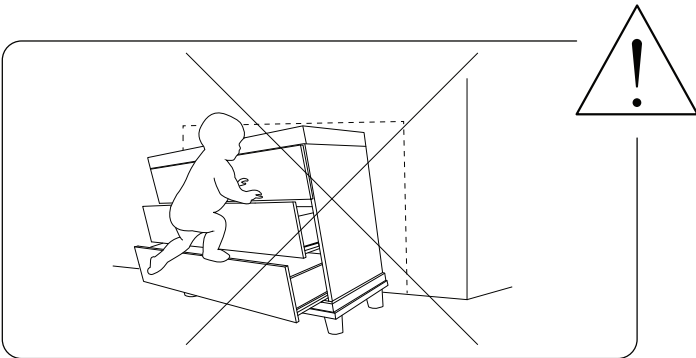
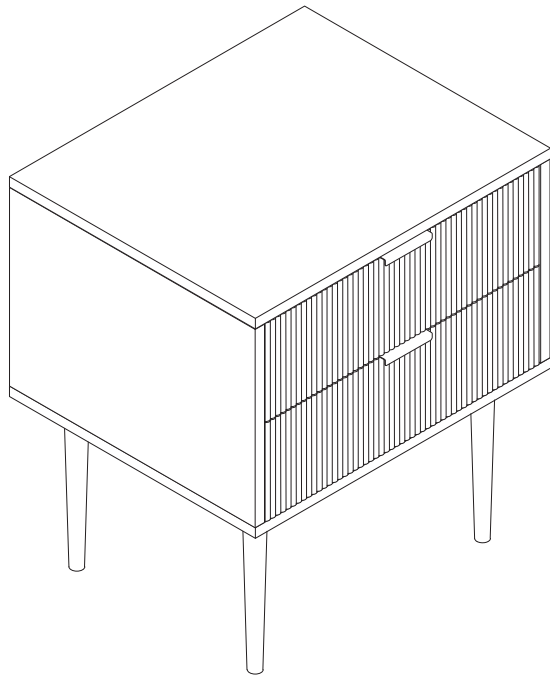
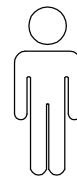


SOHO

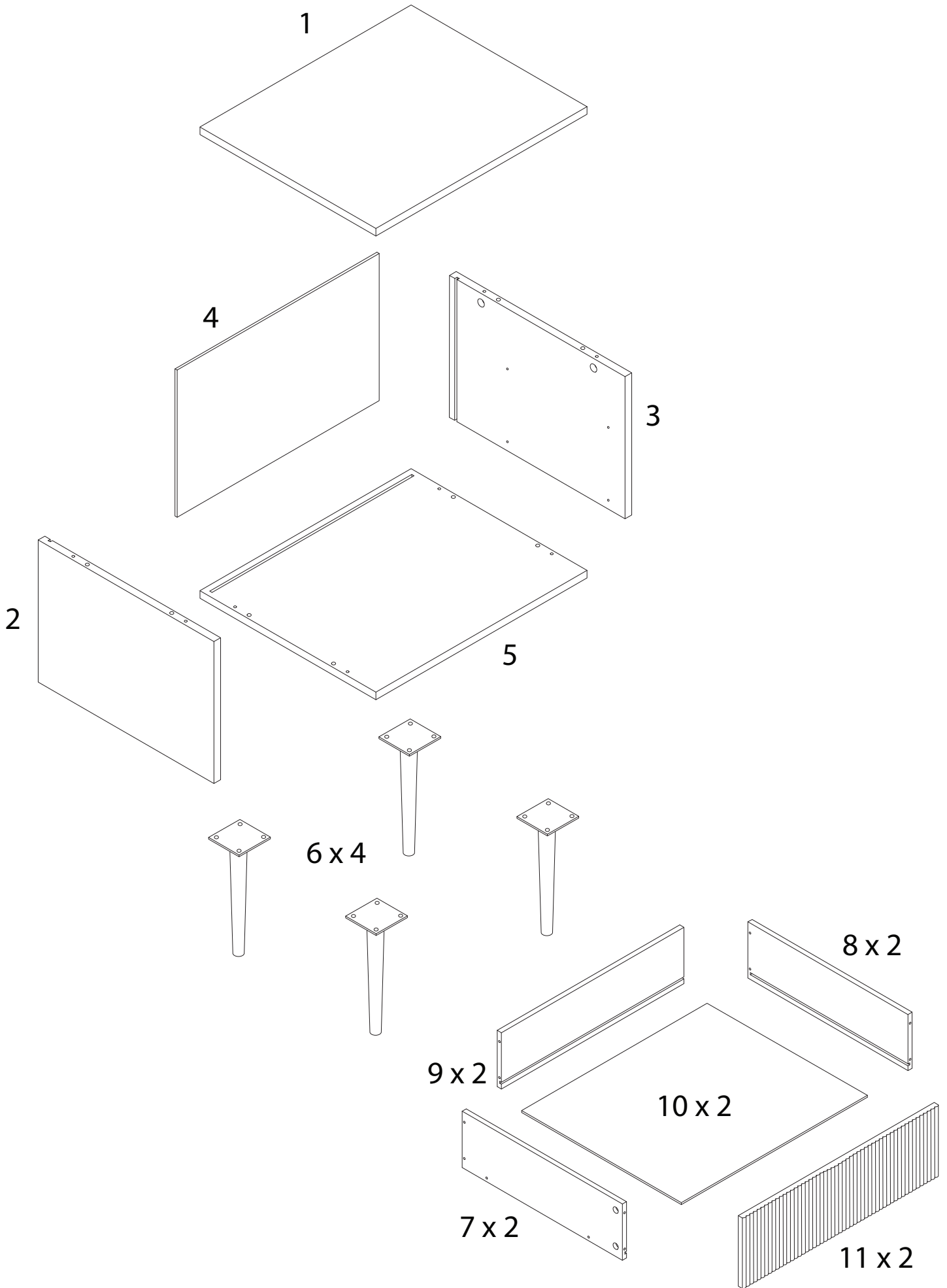




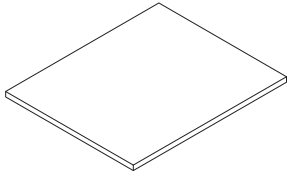
30'



1

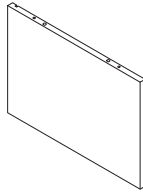


1



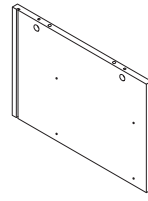
x 1

2



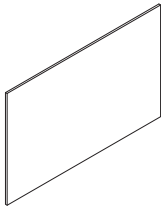
x 1

3



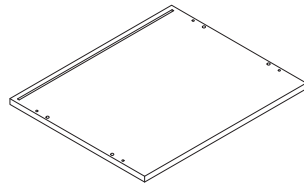
x 1

4



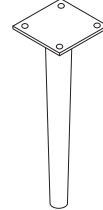
x 1

5



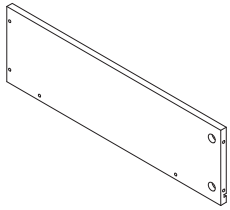
x 1

6



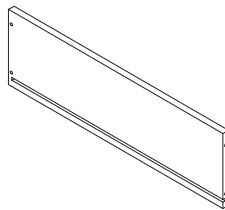
x 4

7



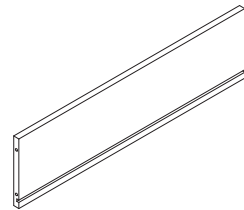
x 2

8



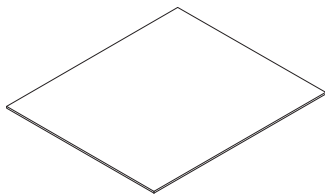
x 2

9



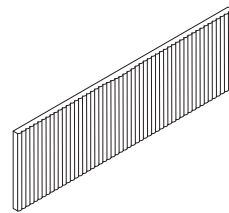
x 2

10



x 2

11



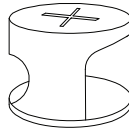
x 2

A



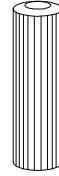
x 12

B



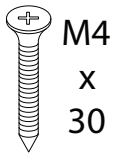
x 12

C



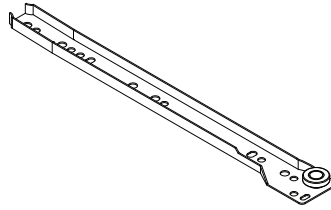
x 8

D



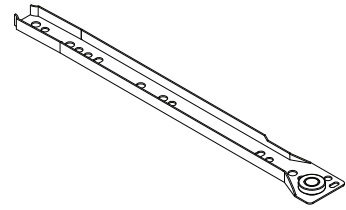
x 13

ECL



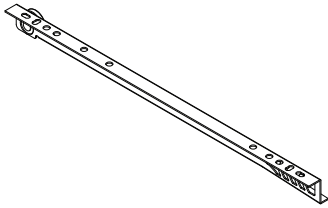
x 2

ECR



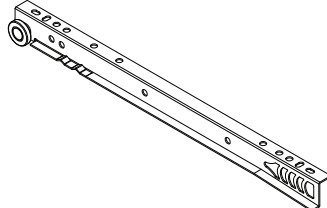
x 2

EDL



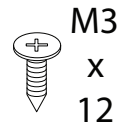
x 2

EDR



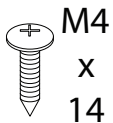
x 2

F



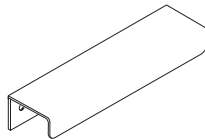
x 20

G



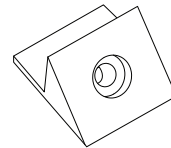
x 17

H



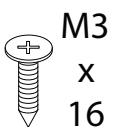
x 2

I



x 4

J



x 4

K



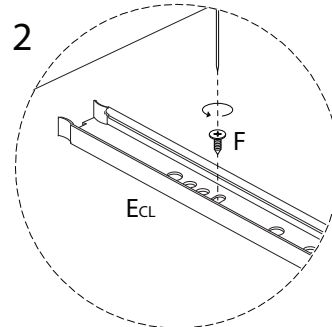
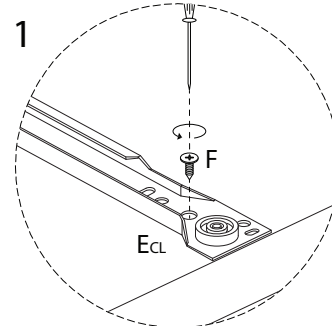
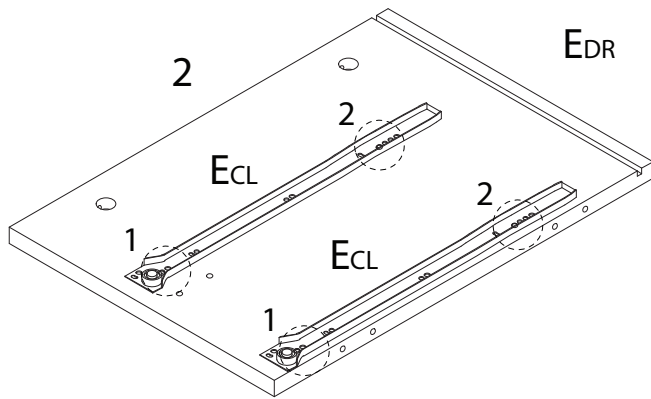
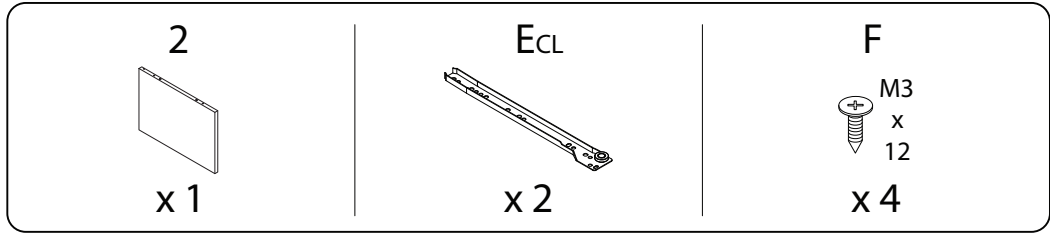
x 1

L

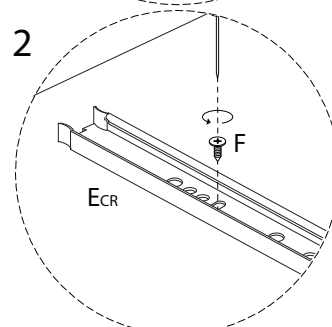
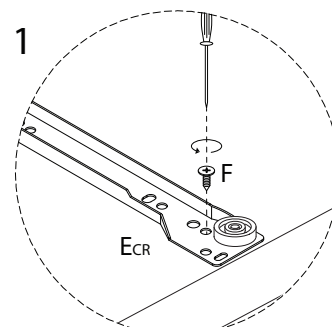
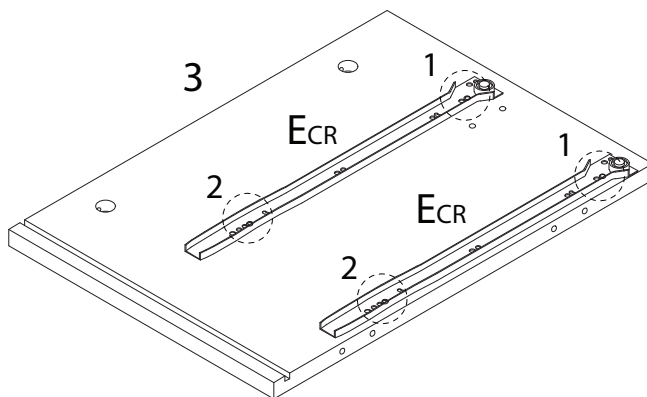
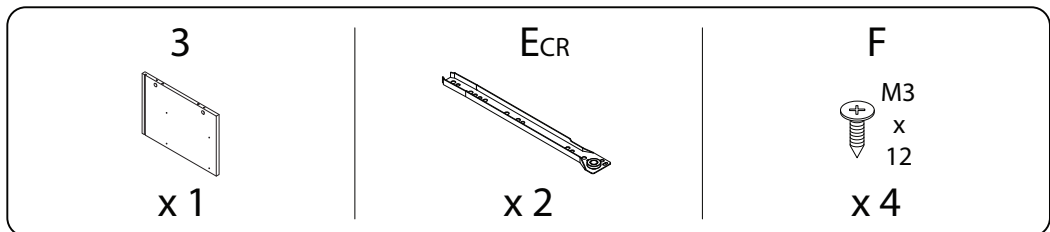


x 1

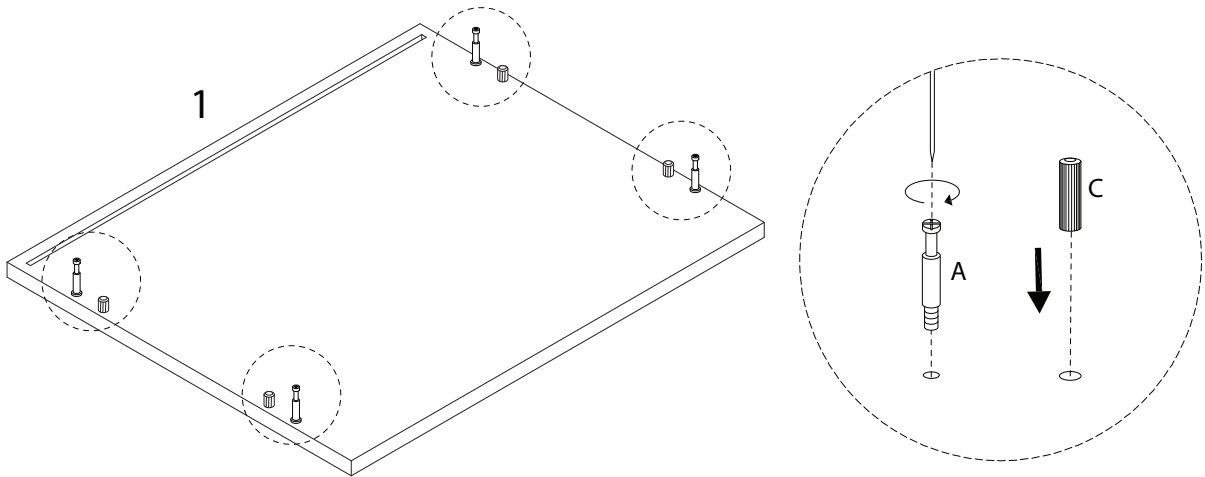
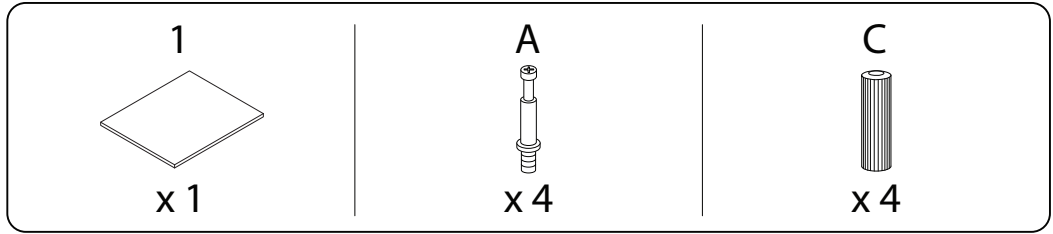
1



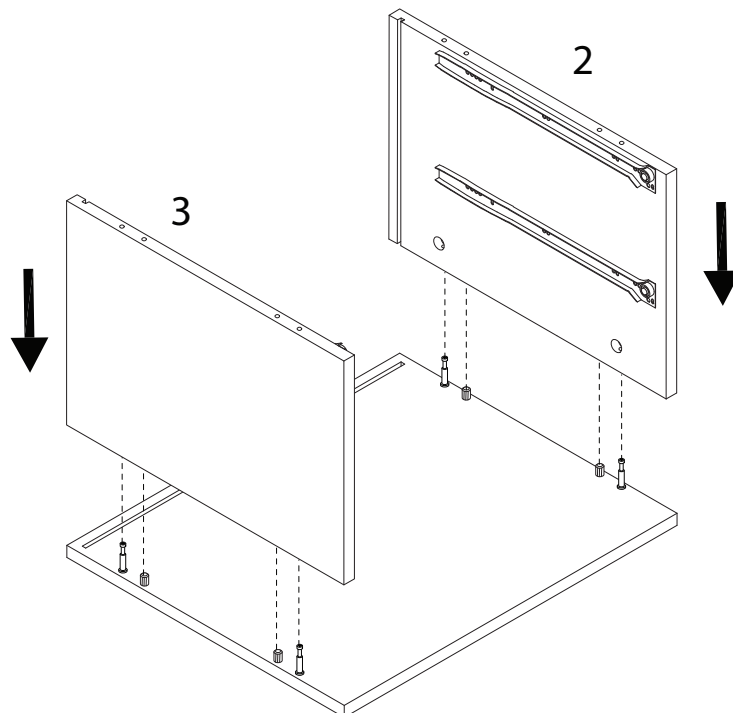
2



3



4

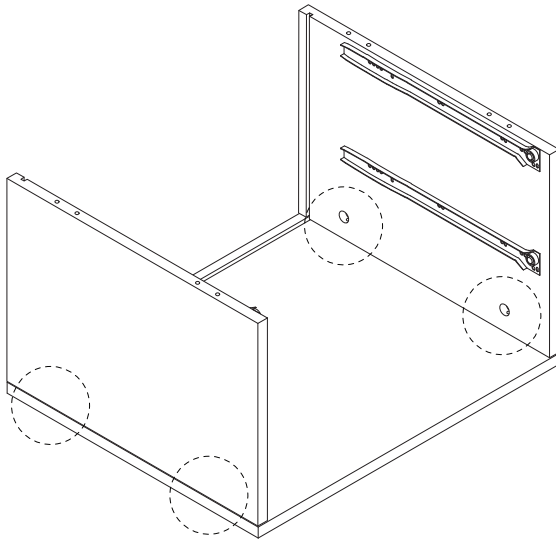


5

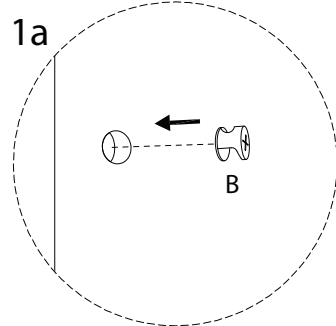
B



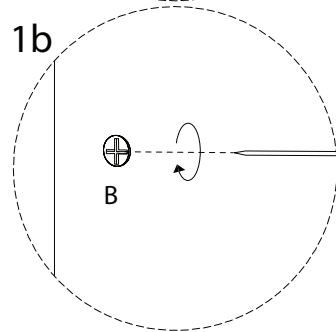
x 4



1a

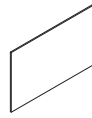


1b

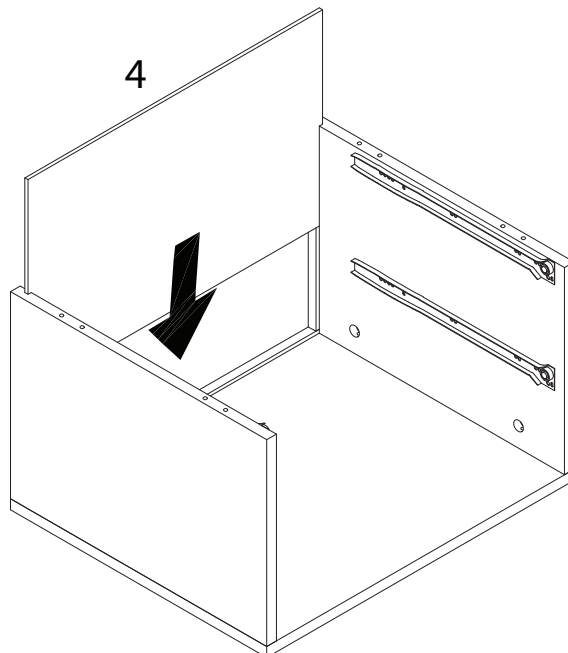


6

4

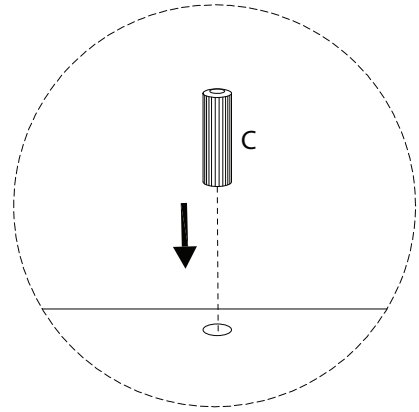
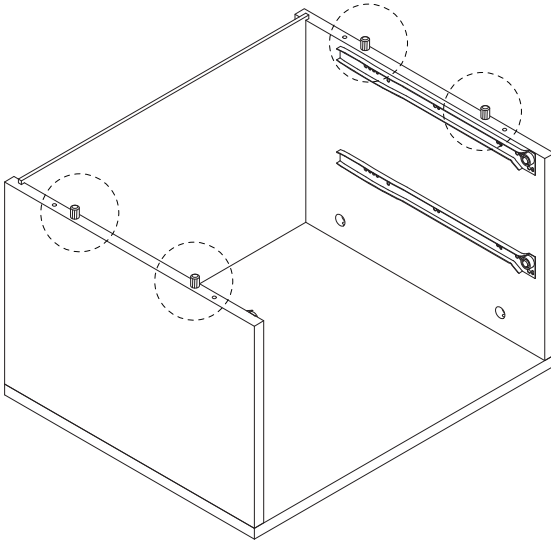


x 1



7

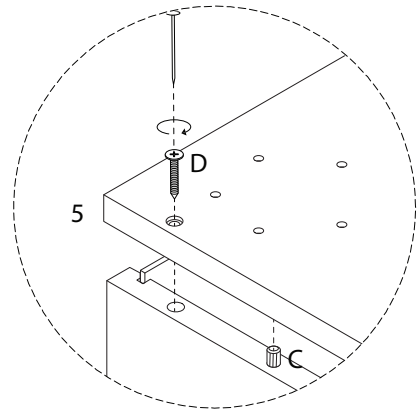
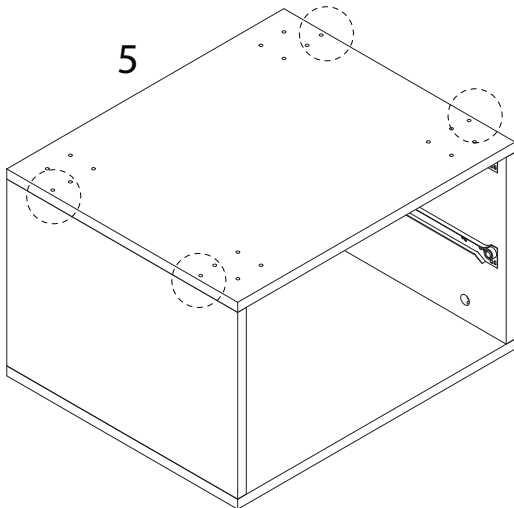
C
x 4



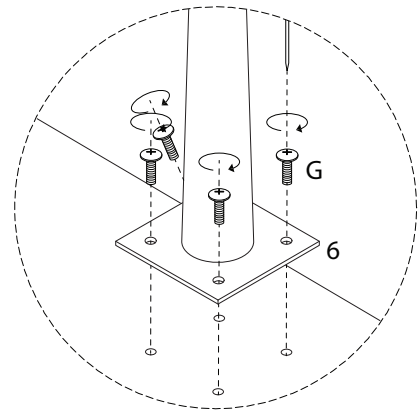
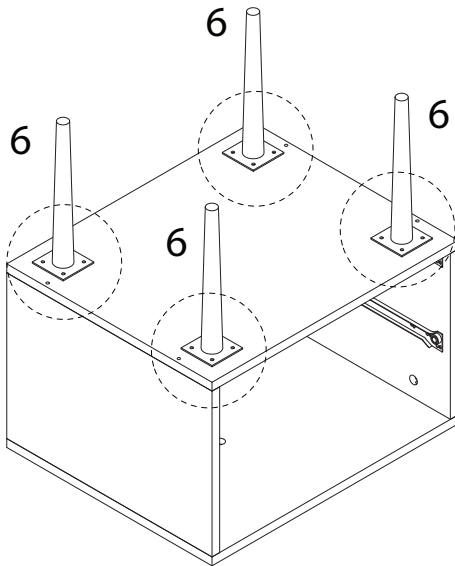
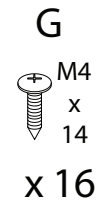
8

5
x 1

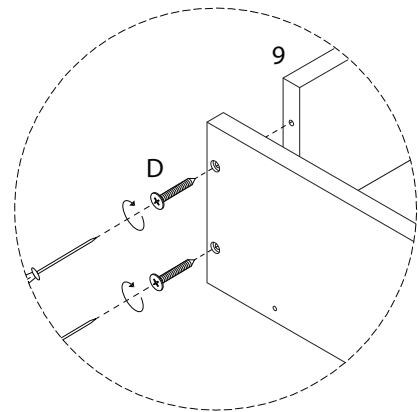
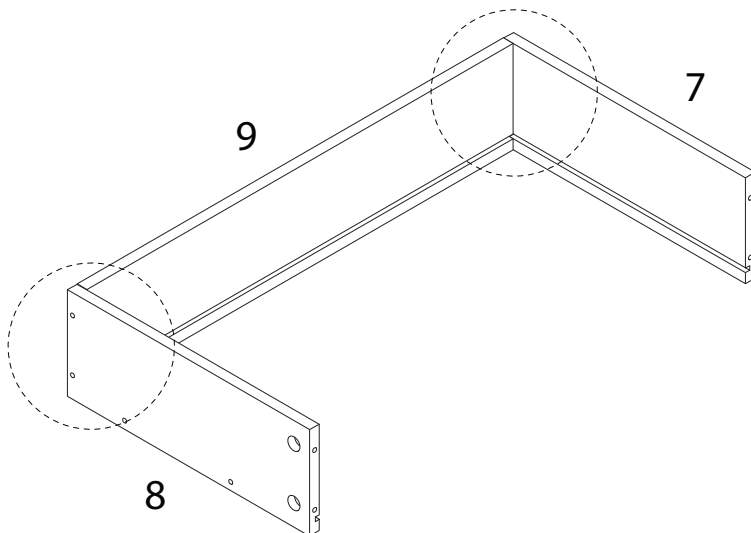
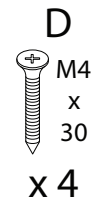
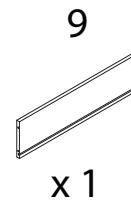
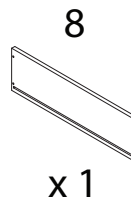
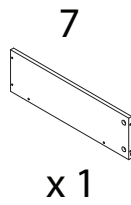
D
M4
x
30
x 4



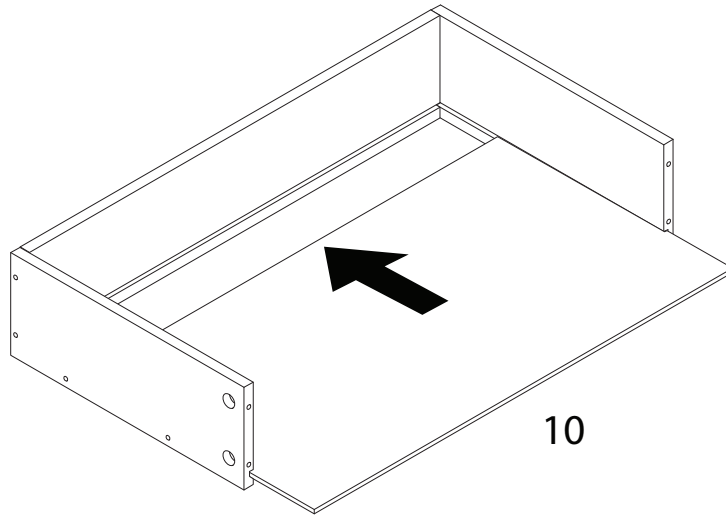
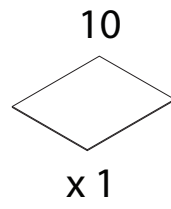
9



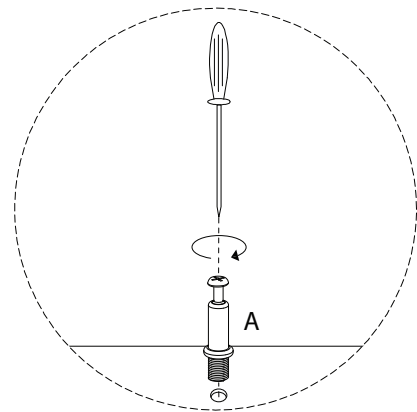
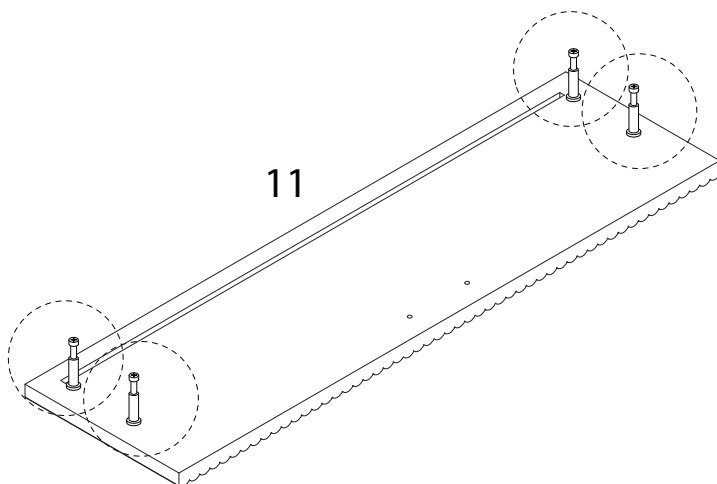
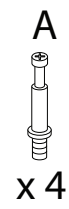
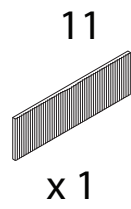
10 x 2



11 x 2

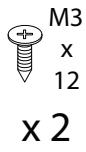


12 x 2

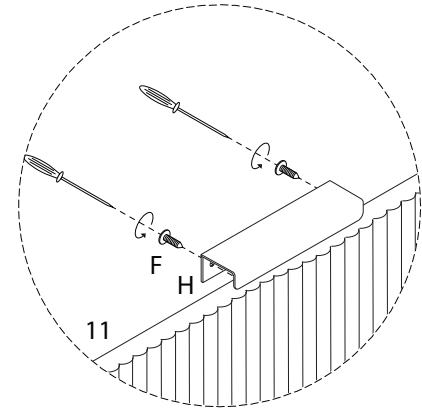
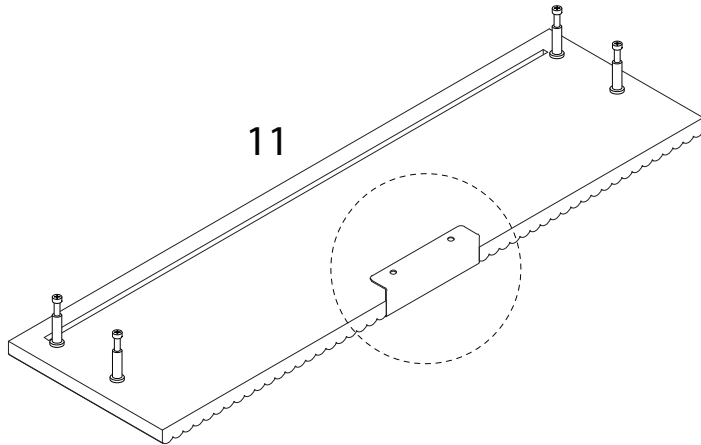
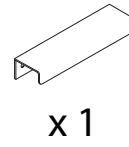


13 x 2

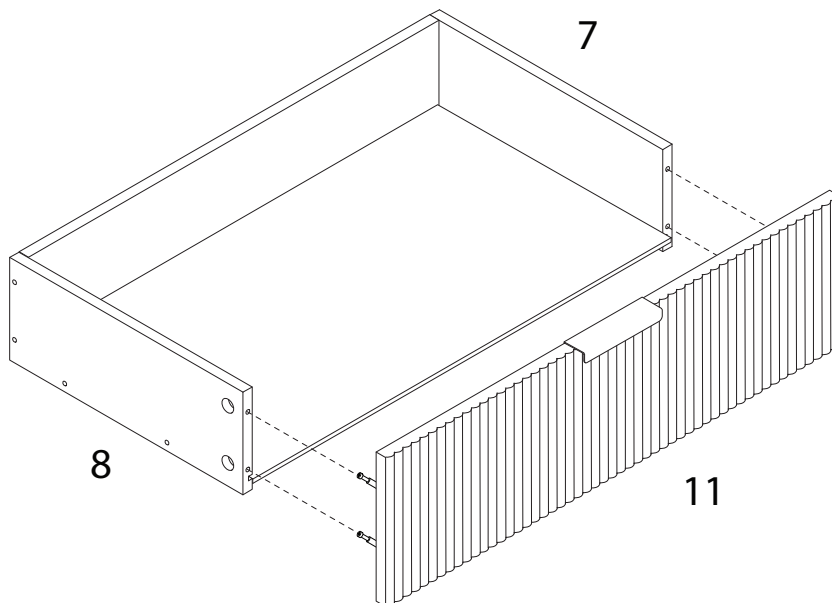
F



H



14 x 2

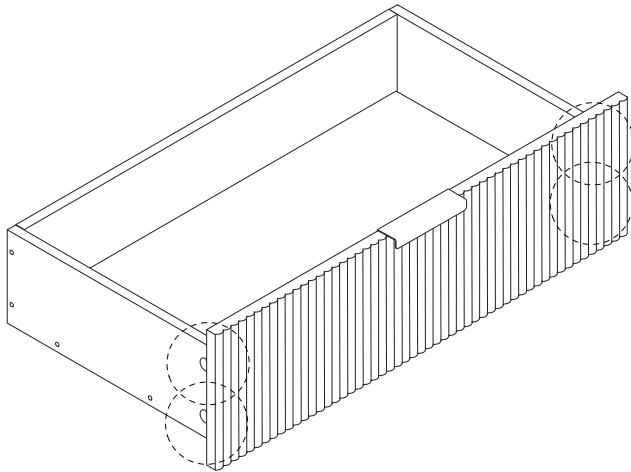


15 x 2

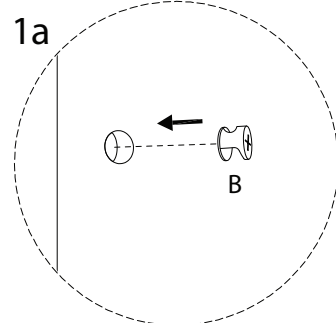
B



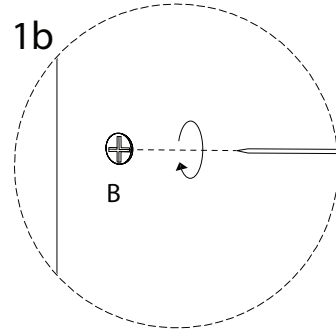
x 4



1a

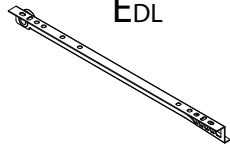


1b



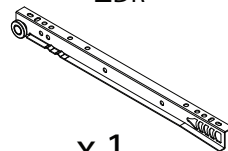
16 x 2

EDL



x 1

EDR

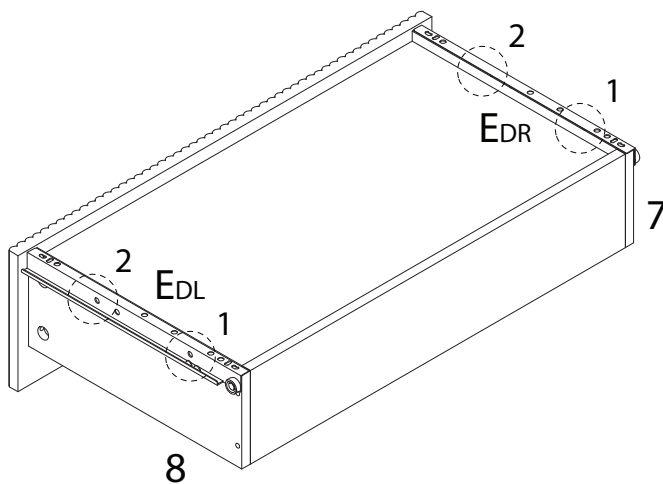


x 1

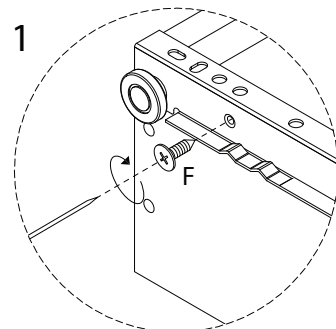
F



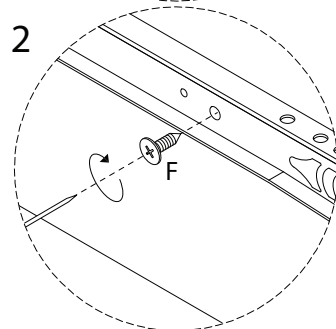
x 4



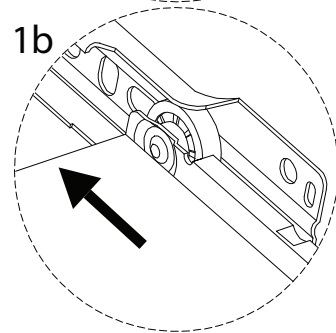
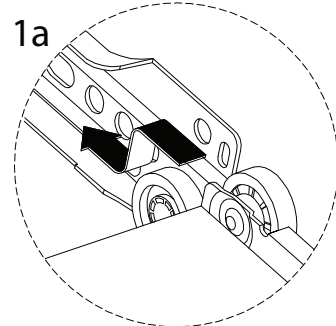
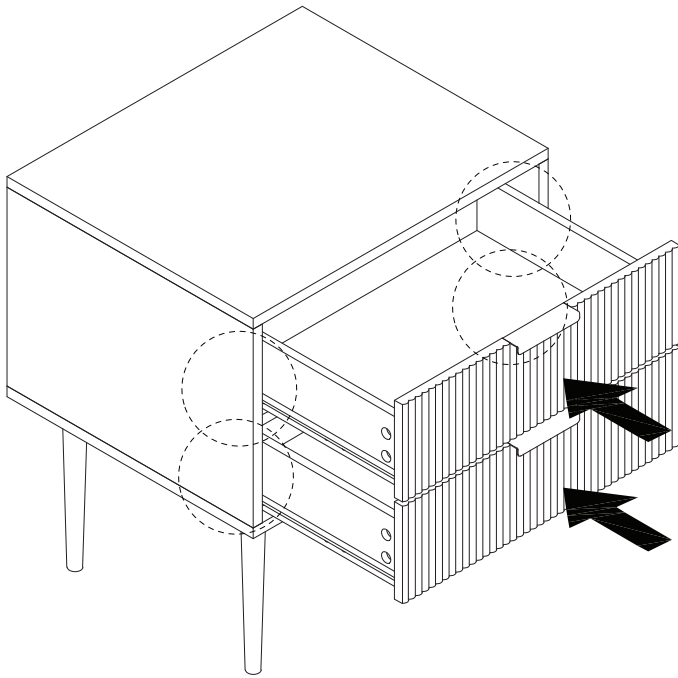
1



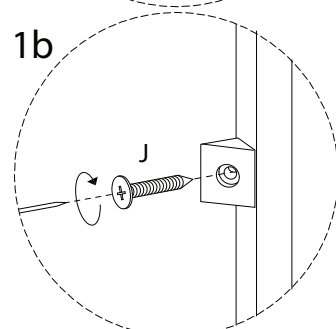
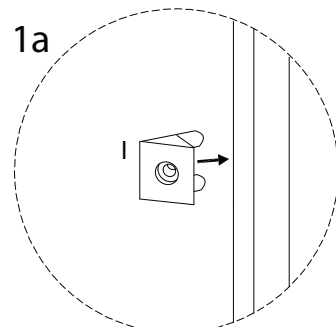
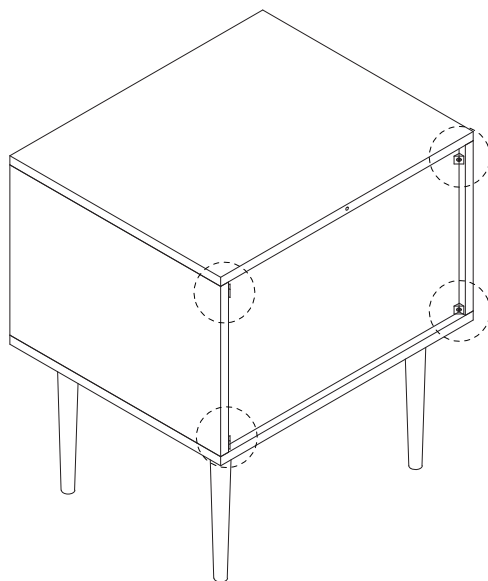
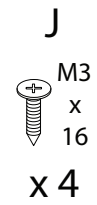
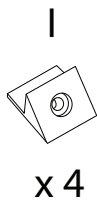
2



17



18



19

G

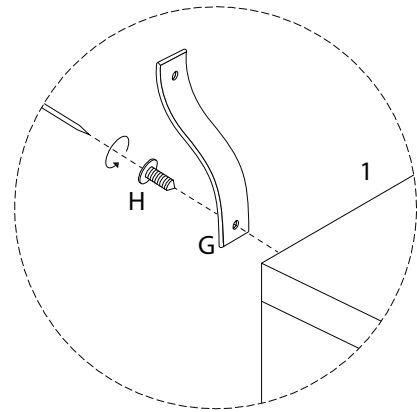
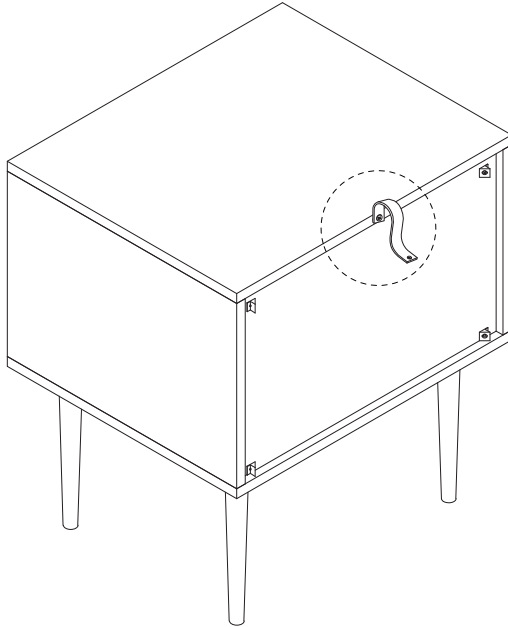


x 1

K



x 1



20

D



x 1

L



x 1

