

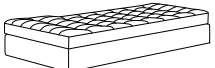
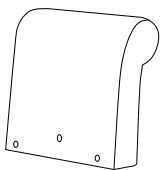
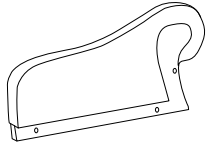
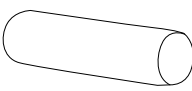
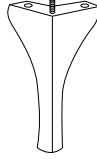
Assembly instructions for the chaise longue, including safety warnings, estimated time, and person count.

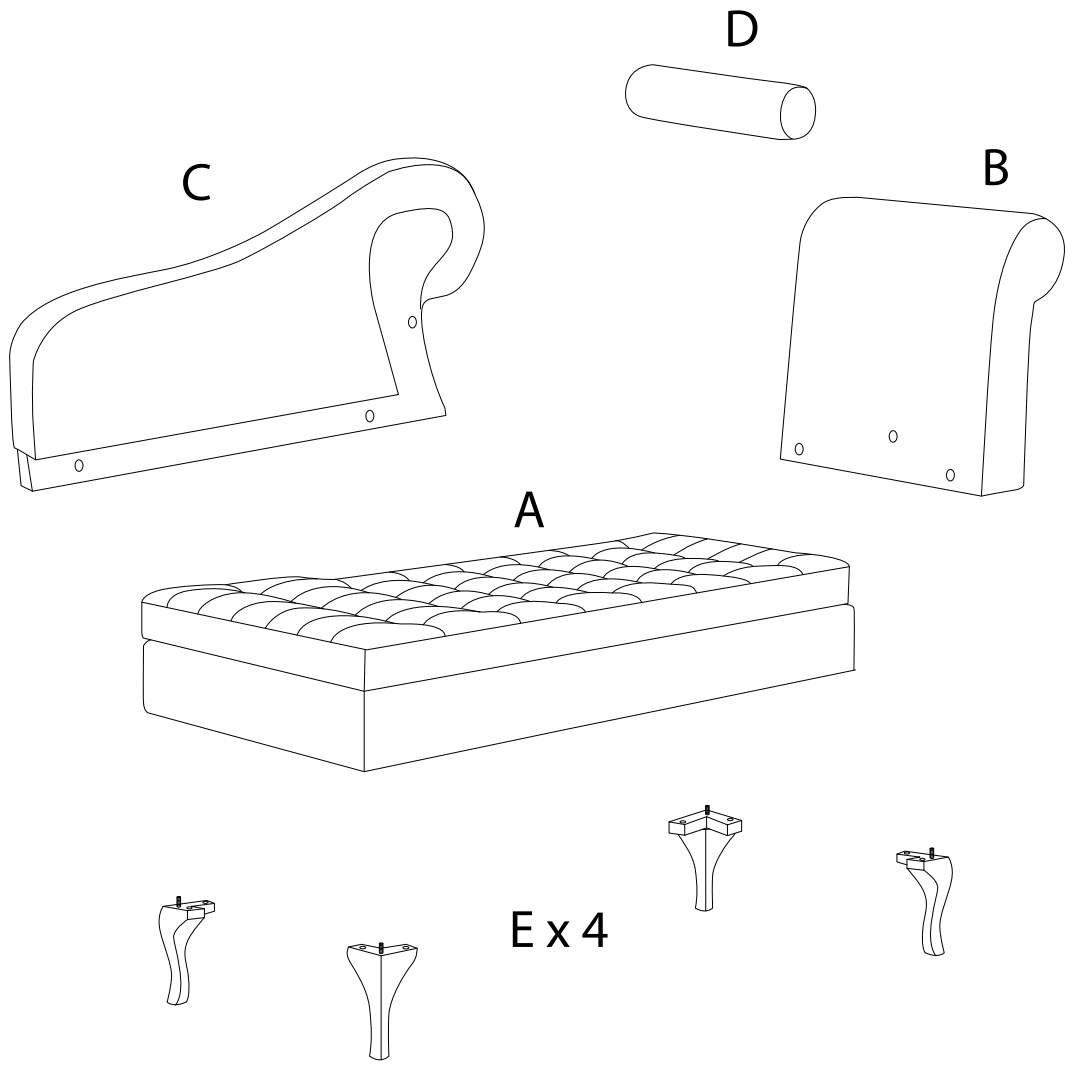
Warning 1: Do not use a power drill. Use an Allen key (shown in a circle) to tighten the screws.

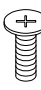


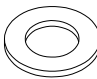
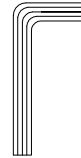
Warning 2: Do not use a screwdriver to tighten the screws. Use a block (shown in a circle) to support the seat during assembly.

Estimated Time: 20'

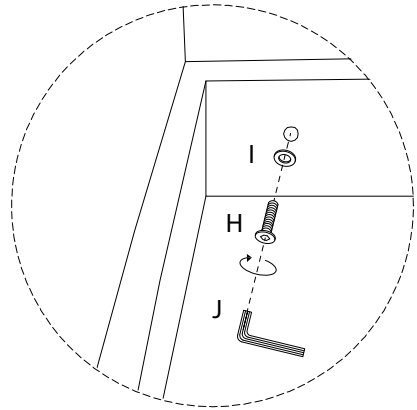
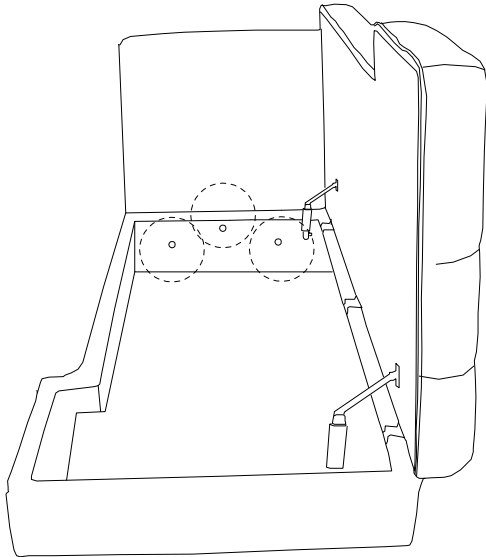
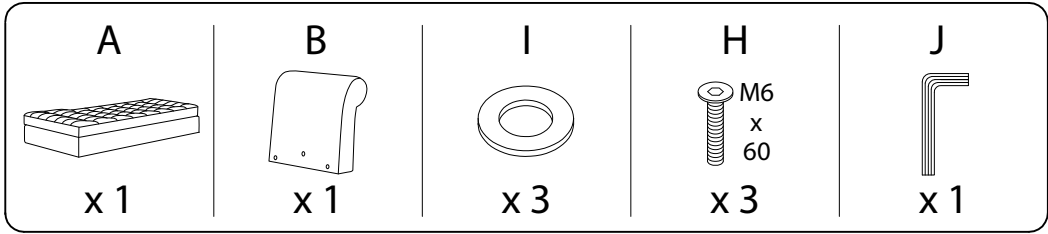
Person Count: 1

| | | | | |
|---|---|---|--|---|
| A | B | C | D | E |
|  |  |  |  |  |
| x 1 | x 1 | x 1 | x 1 | x 4 |

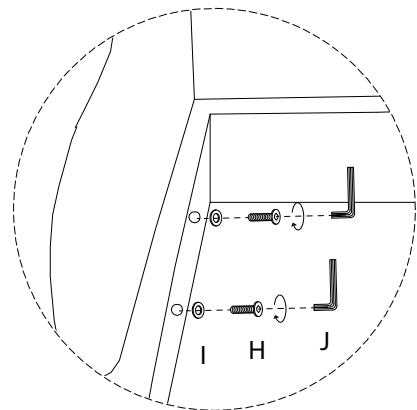
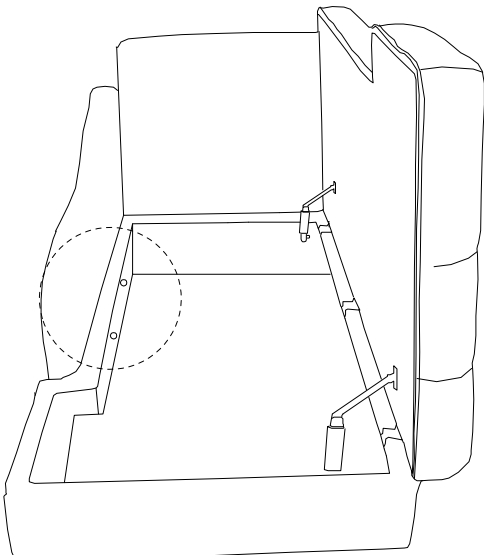


| | | | | |
|--|--|--|---|---|
| F | G | H | I | J |
|  M6 x 30 |  M6 x 40 |  M6 x 60 |  |  |
| x 8 | x 1 | x 5 | x 6 | x 1 |

1



2



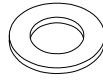
3

G



x 1

I

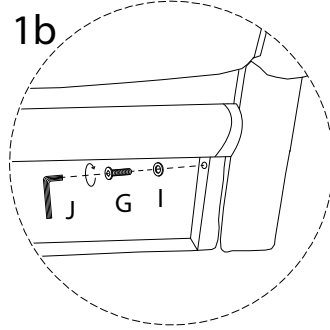
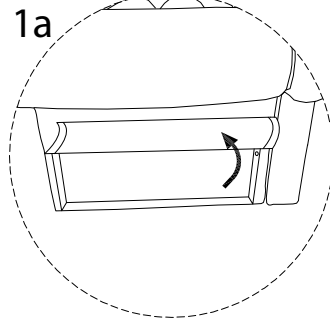
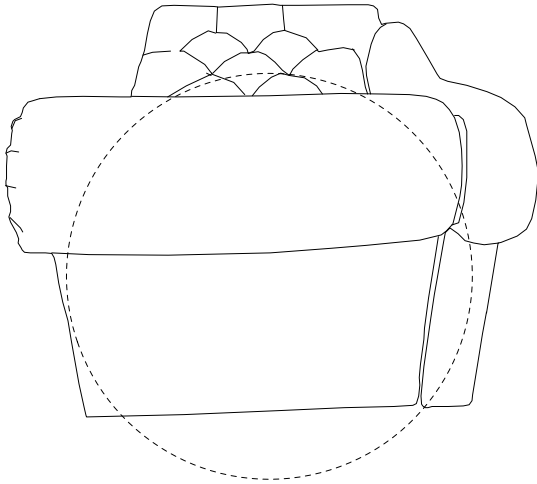


x 1

J

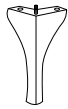


x 1



4

E



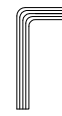
x 4

F

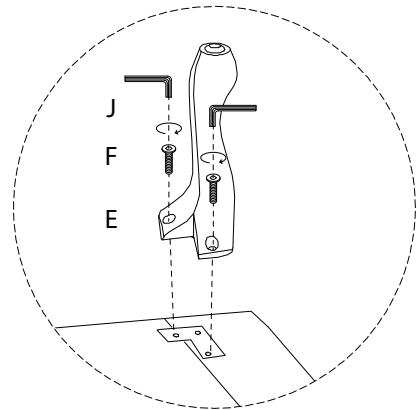
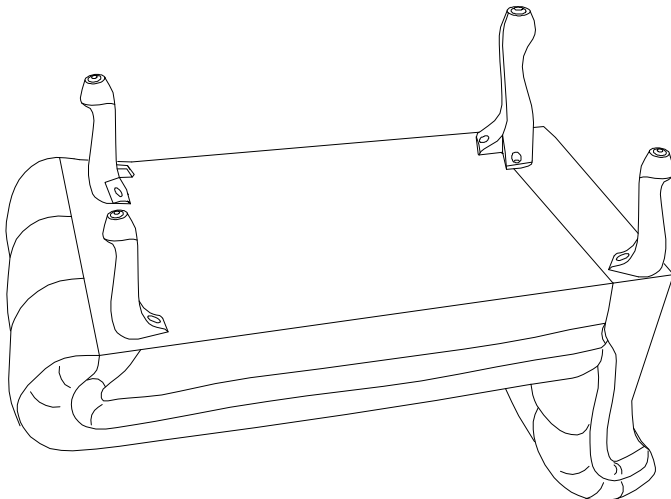


x 8

J

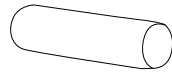


x 1



5

D



x1

