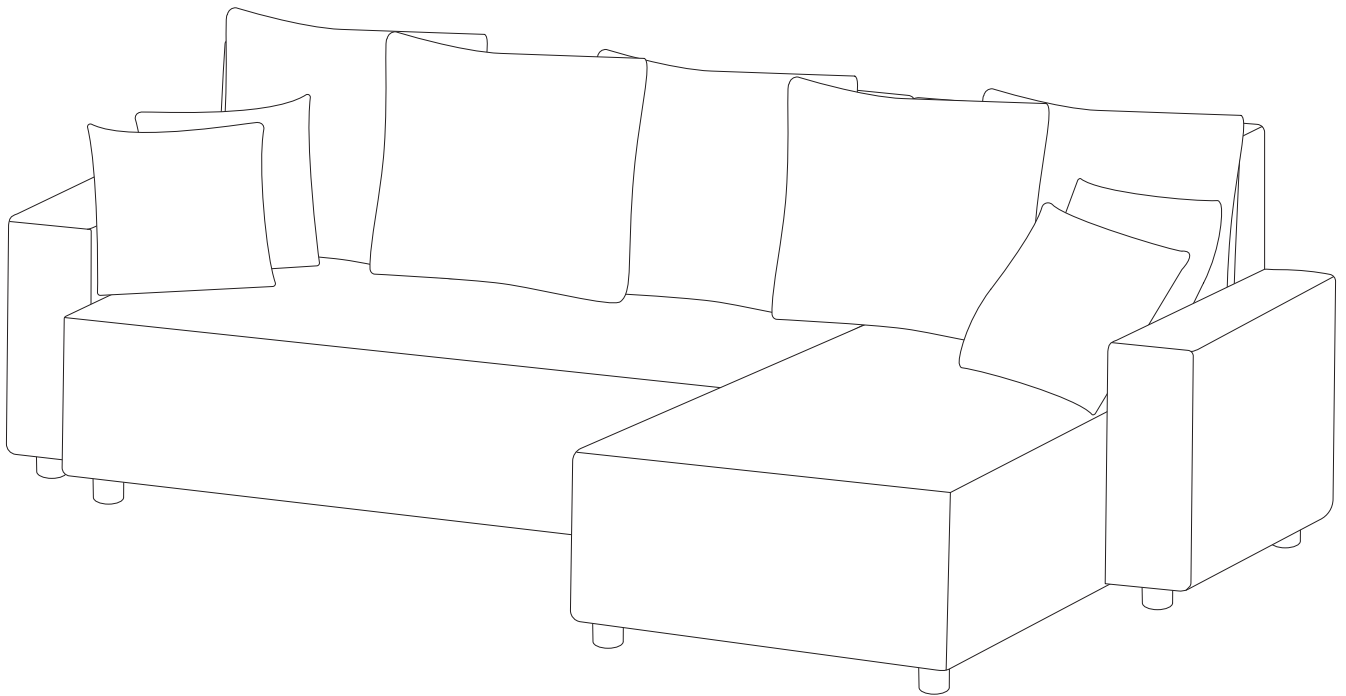
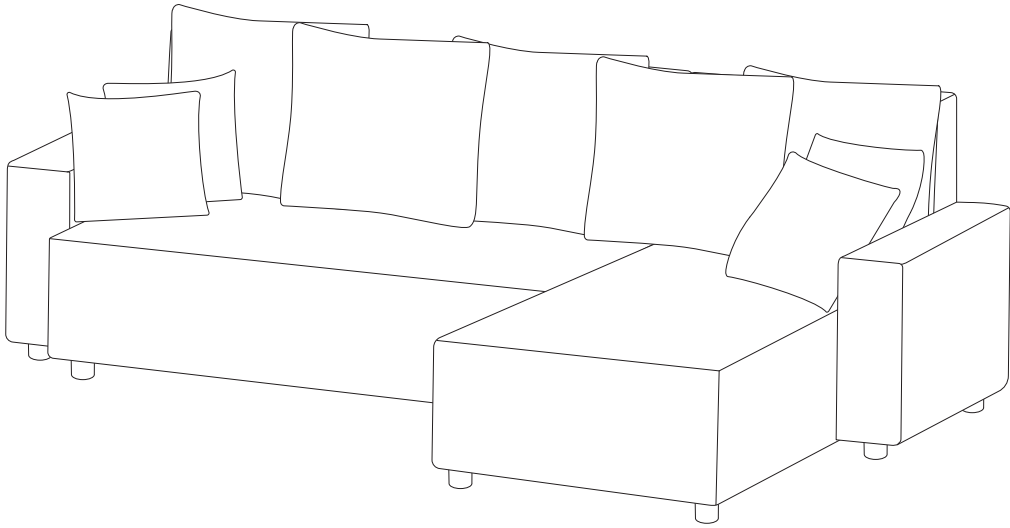


LUSPA





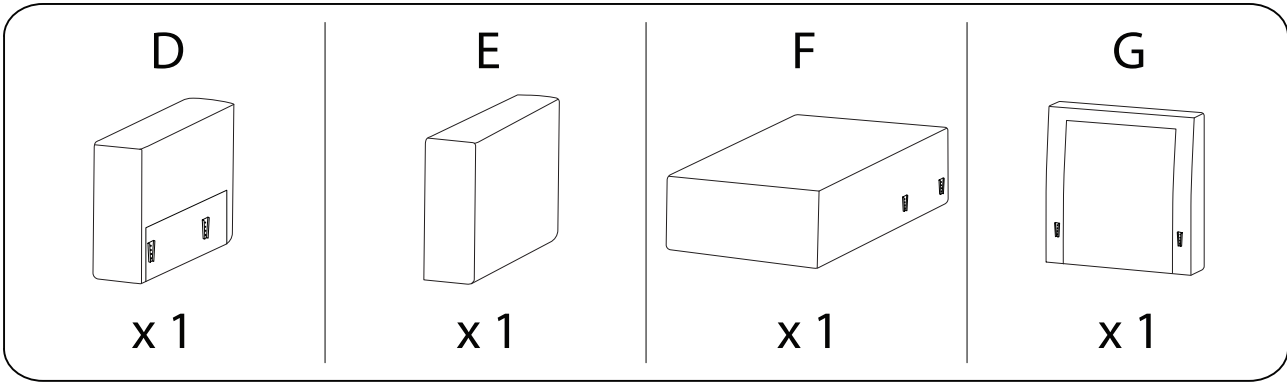
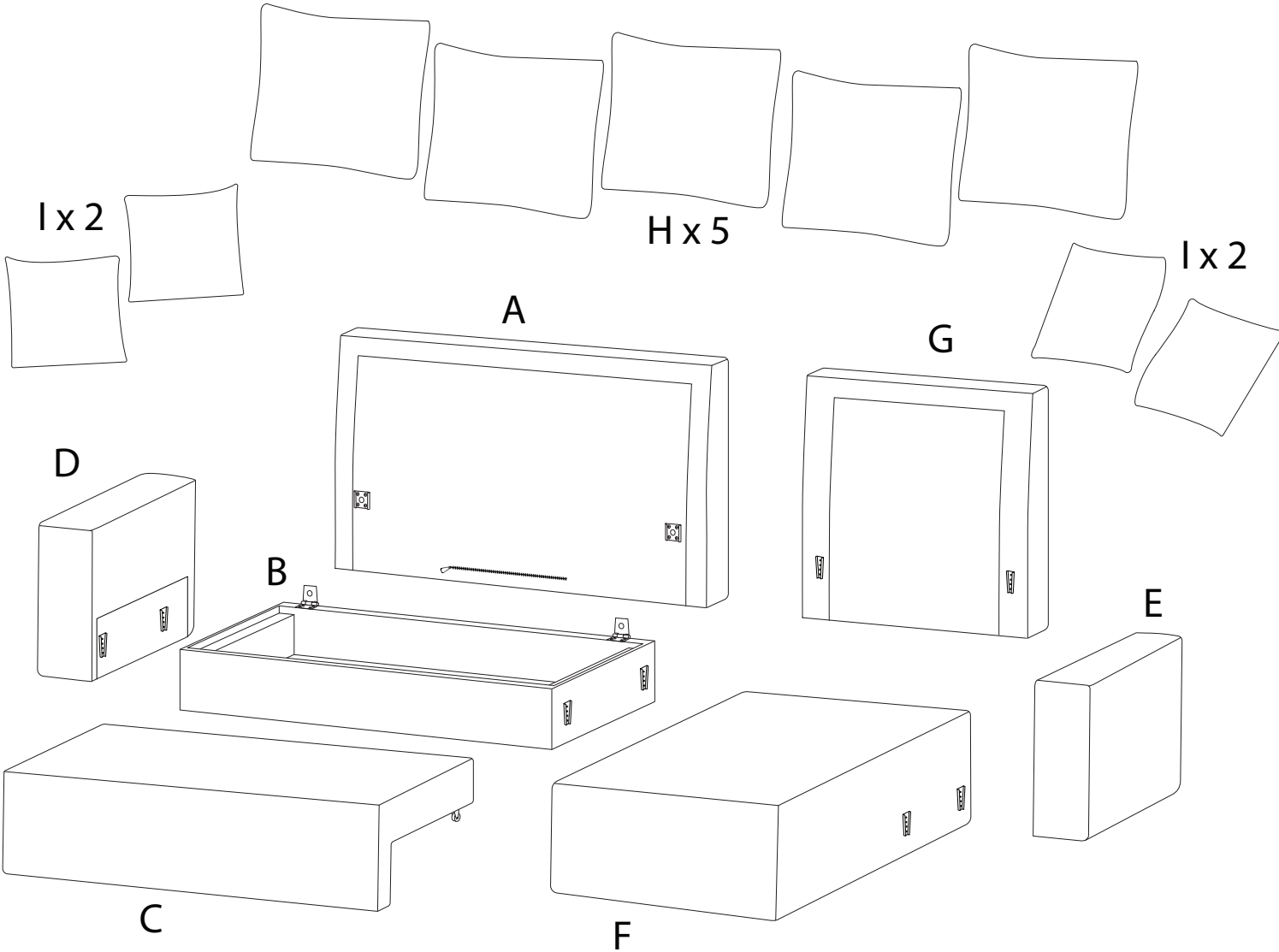
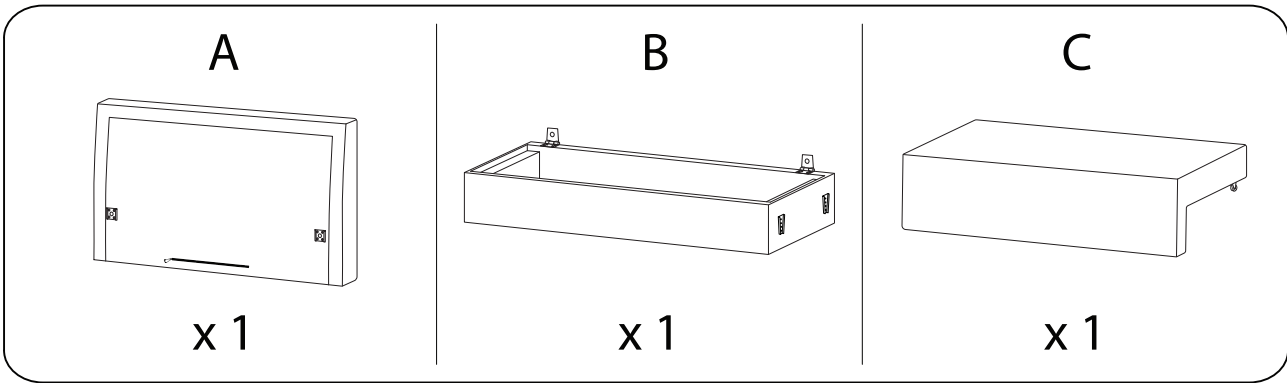
Assembly instructions for the sofa, including warnings, time, and person requirements.

Warning 1: Do not use a power drill. Use an Allen key (shown in a circle) to tighten the screws.

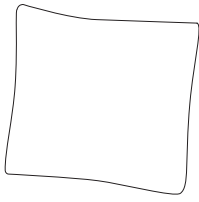
Warning 2: Do not place the sofa on a soft surface like a rug. Place it on a hard, flat surface (shown in a circle).

Time: 20'

Personnel: 2

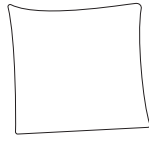


H



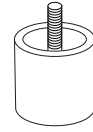
x 5

I



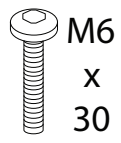
x 4

J



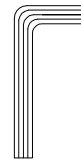
x 14

K



x 2

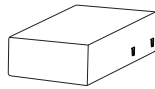
L



x 1

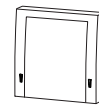
1

F



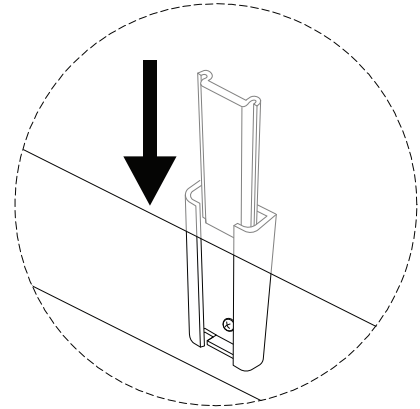
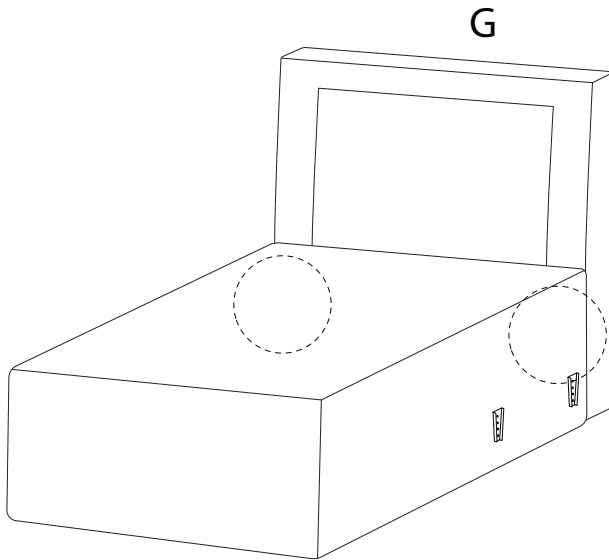
x 1

G



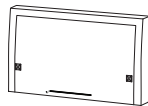
x 1

F



2

A



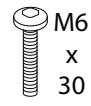
x 1

B



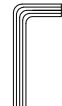
x 1

K

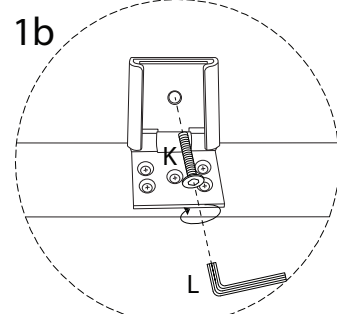
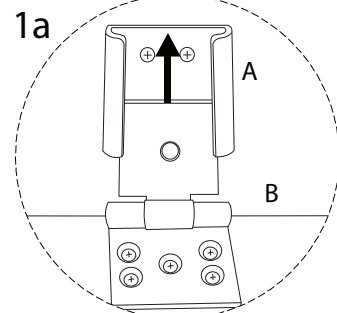
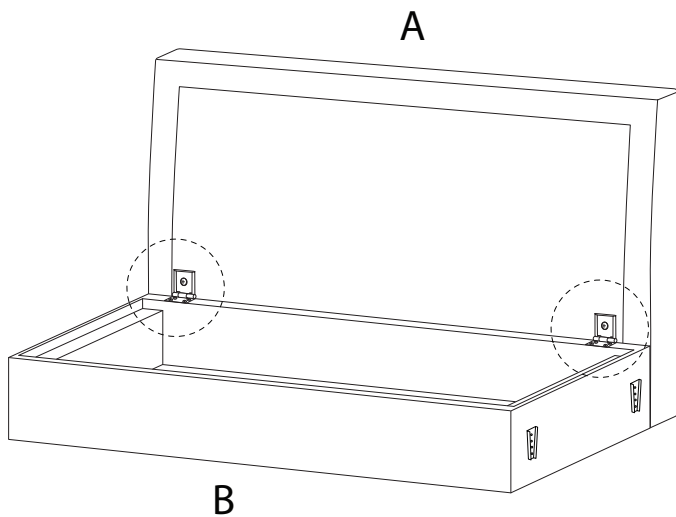


x 2

L



x 1

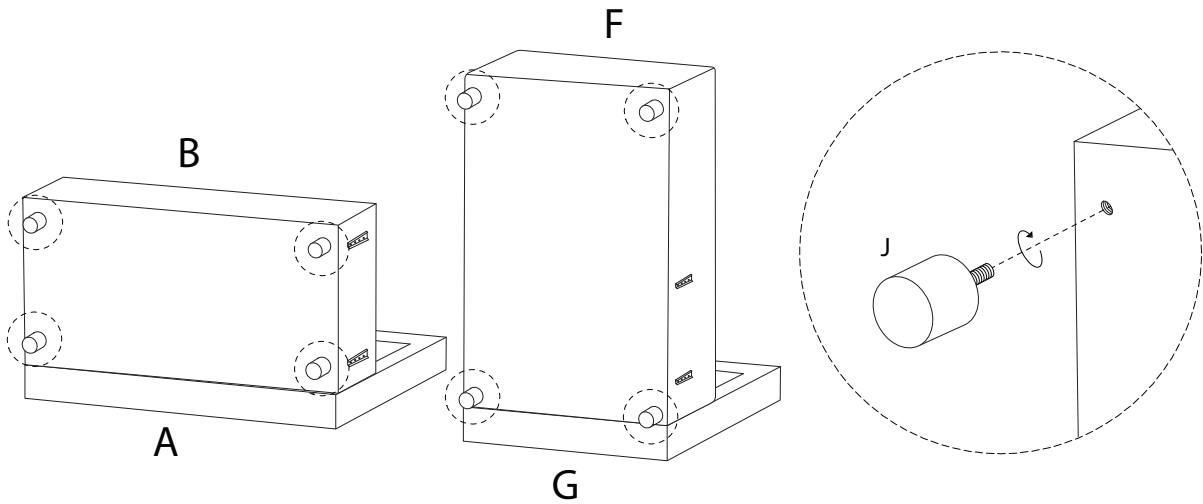


3

J



x 8



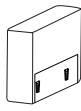
4

C



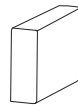
x 1

D



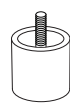
x 1

E

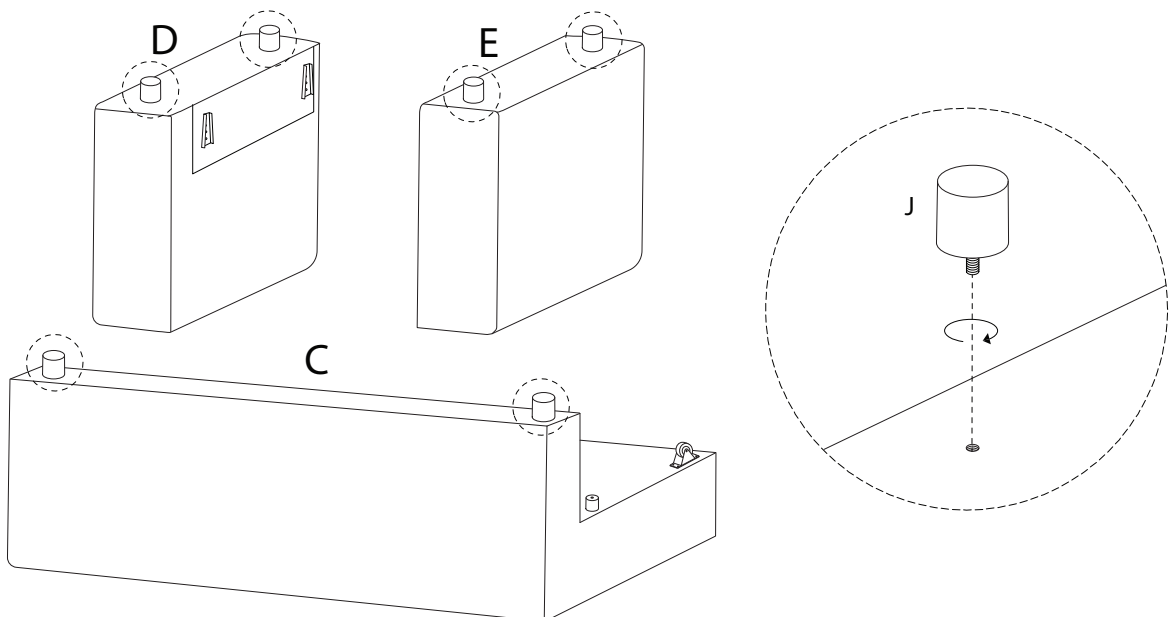


x 1

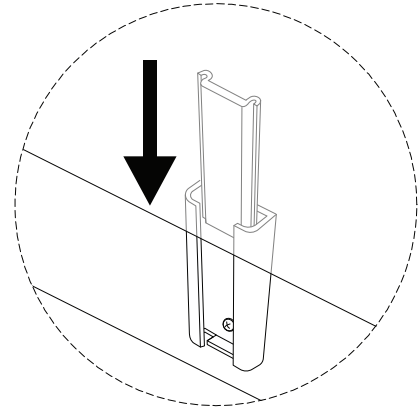
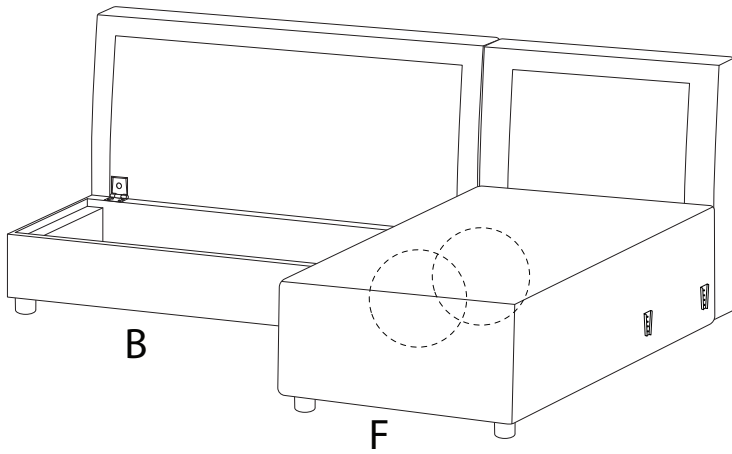
J



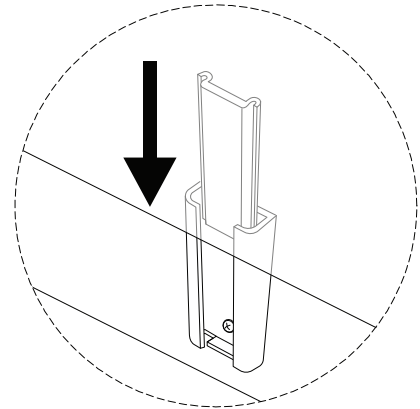
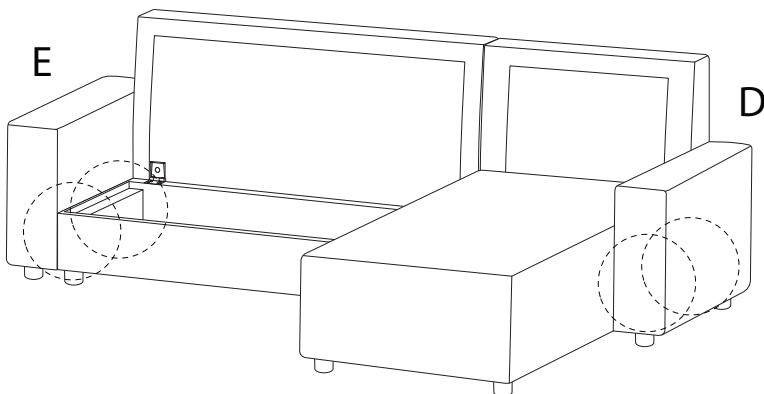
x 6



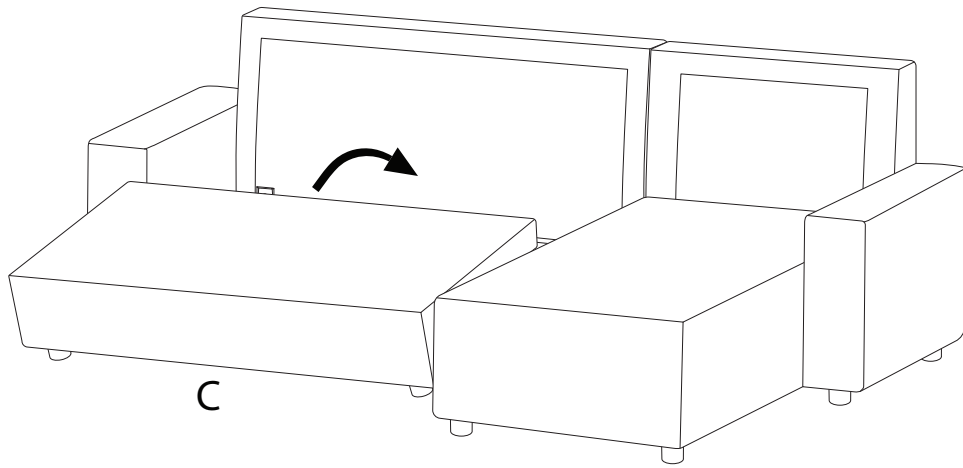
5



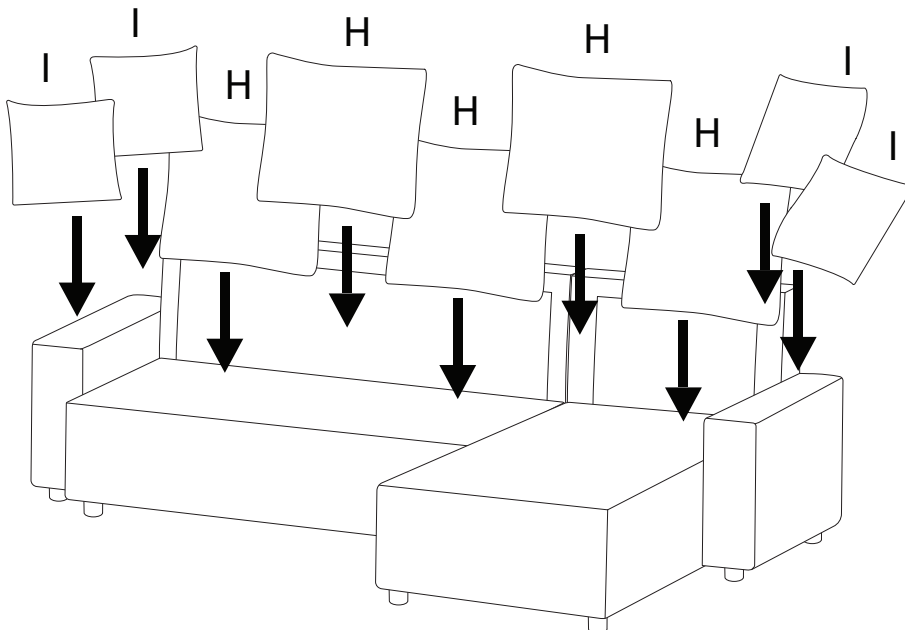
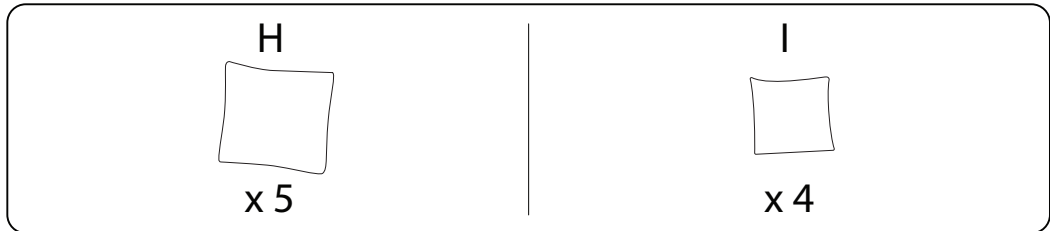
6



7



8



!

