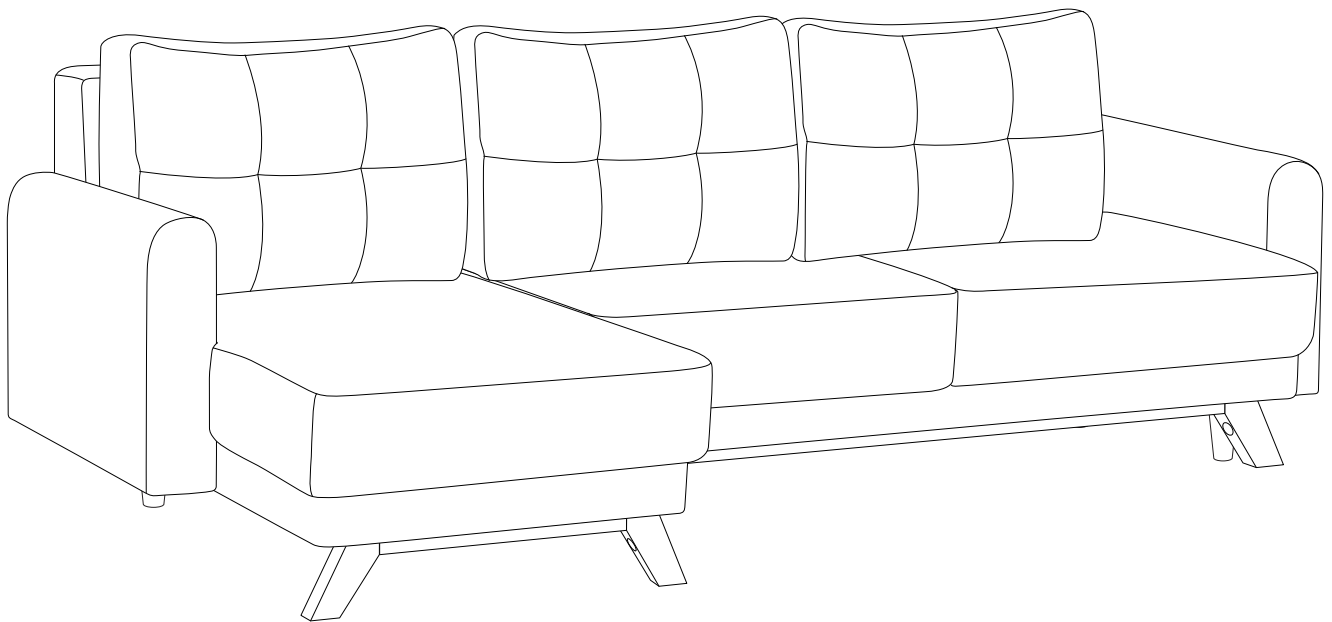
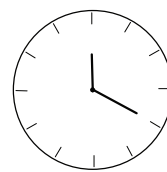
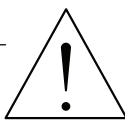
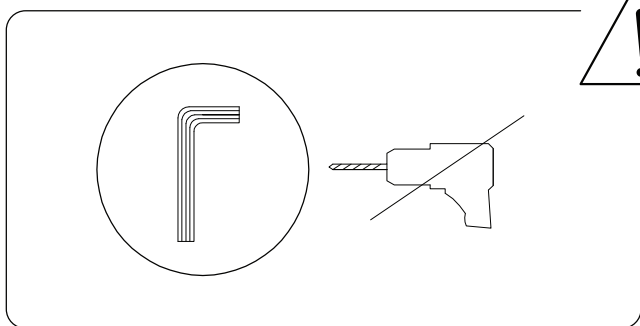
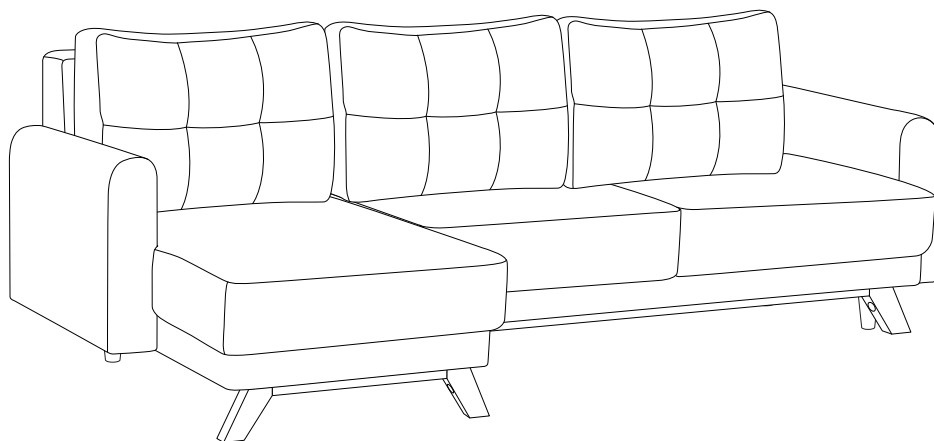
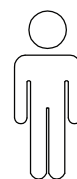
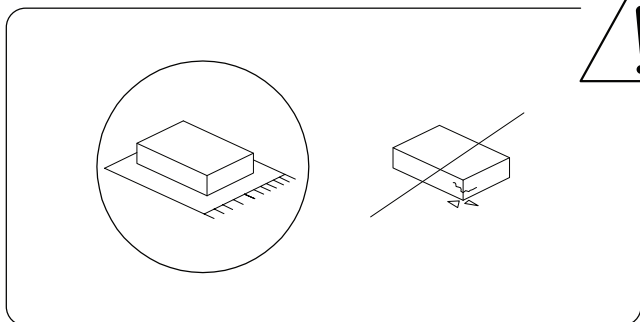


SIRO

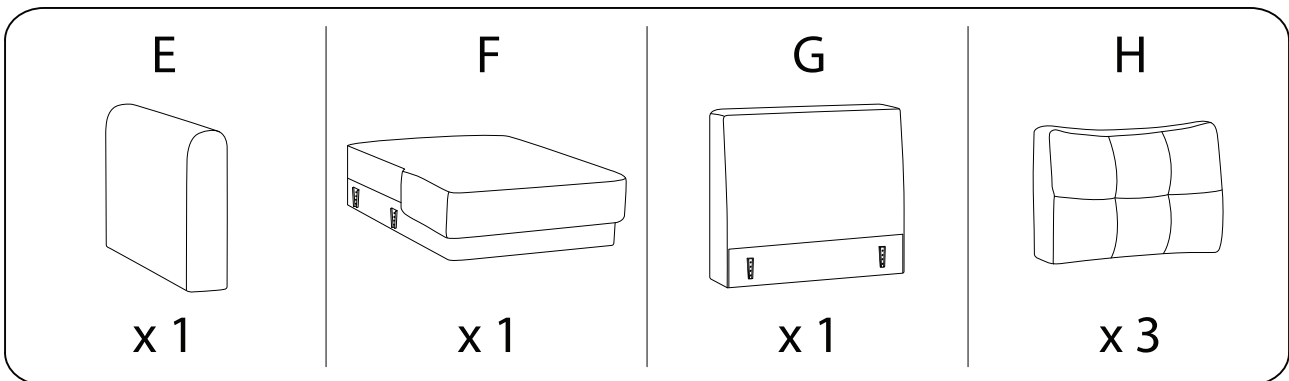
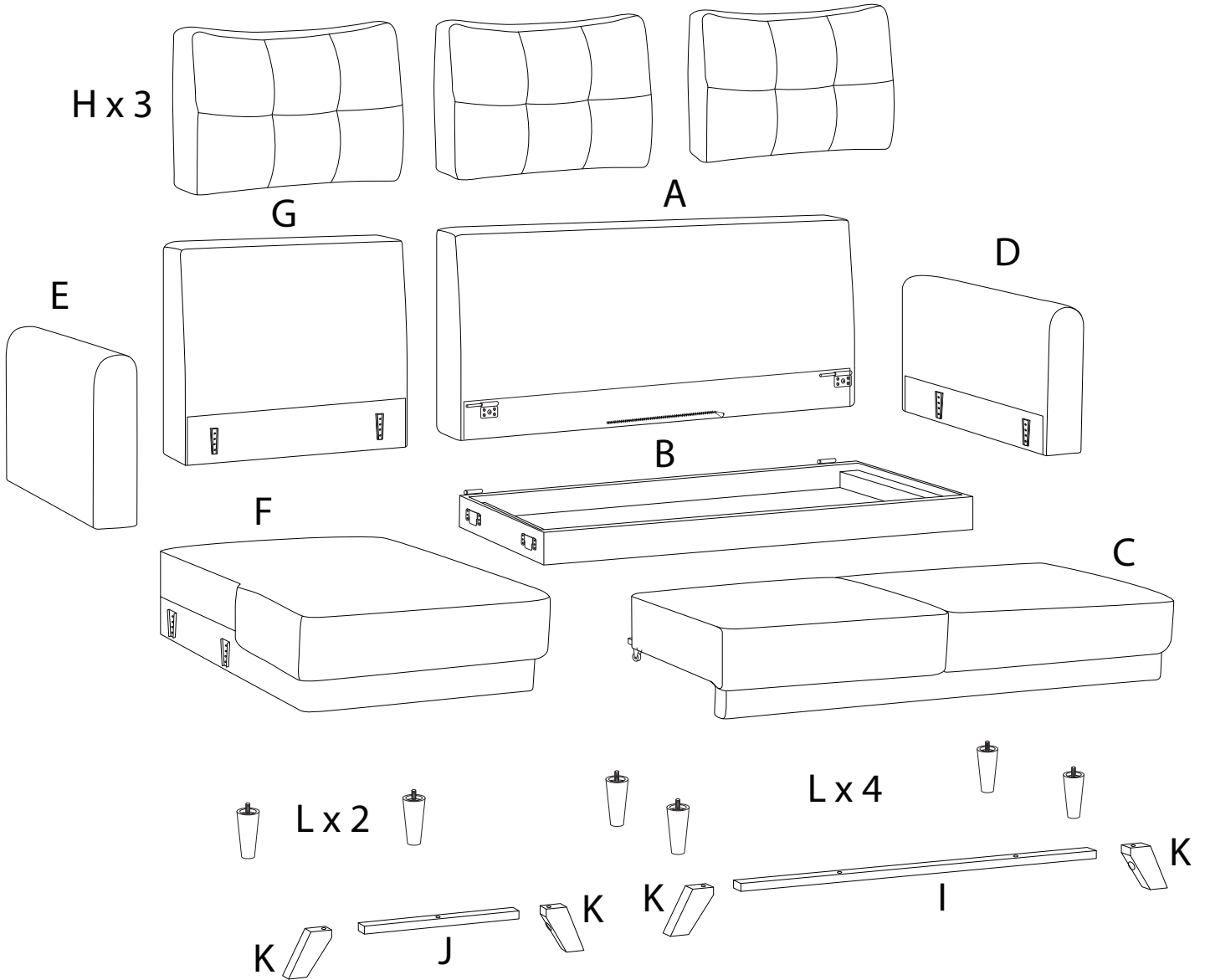
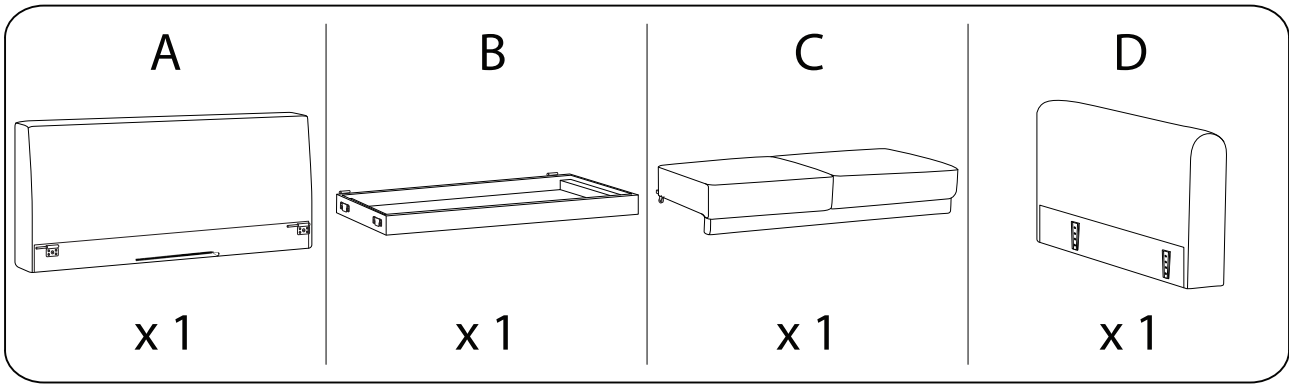




20'



2

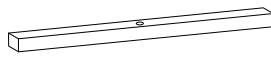


I



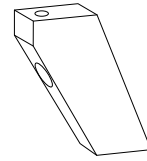
x 1

J



x 1

K



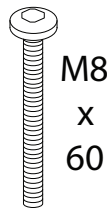
x 4

L



x 6

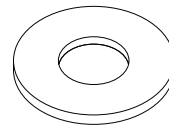
M



M8
x
60

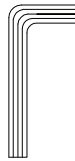
x 7

N



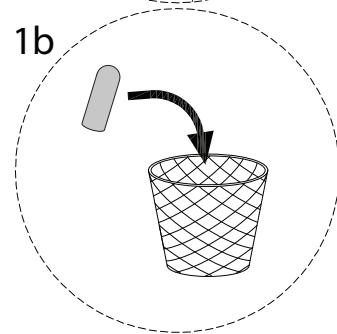
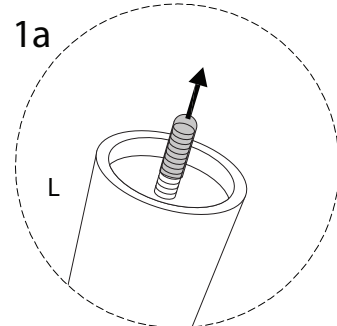
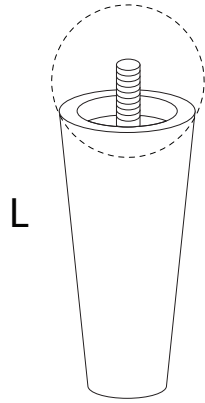
x 7

O

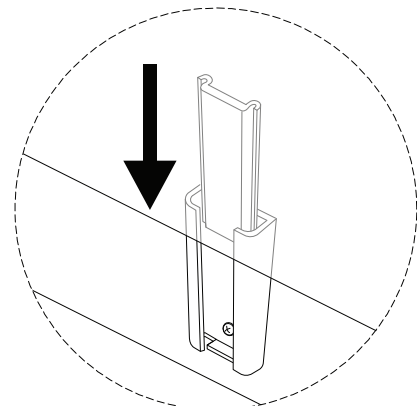
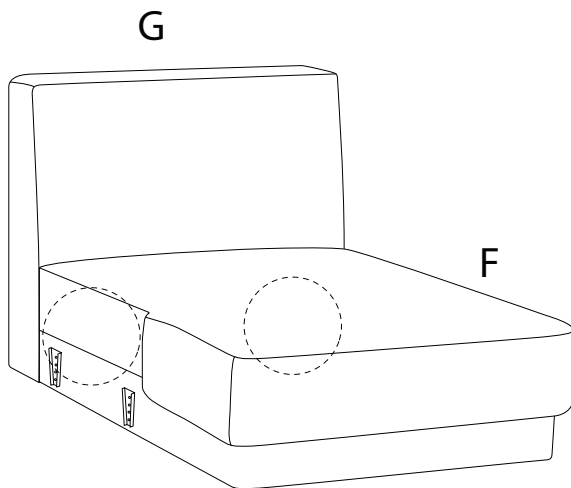
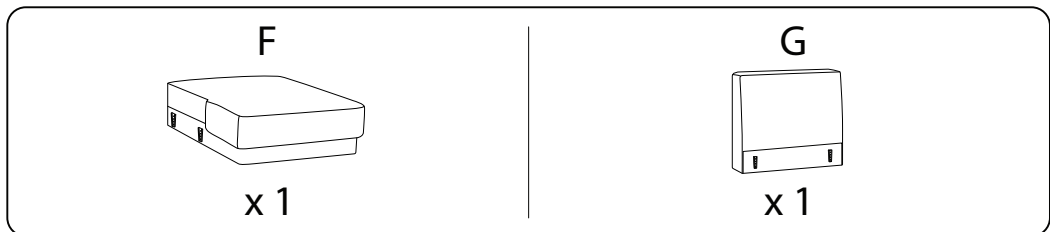


x 1

!

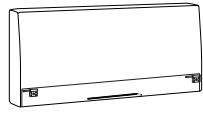


1



2

A



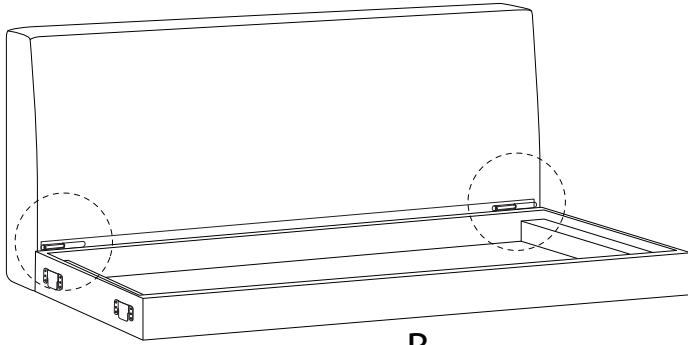
x 1

B

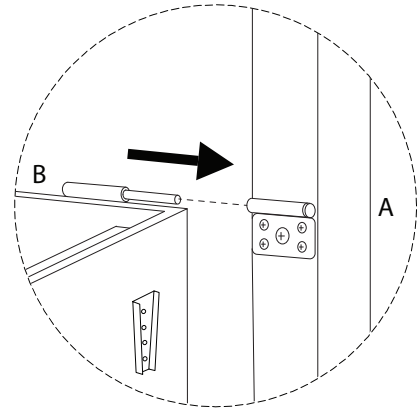


x 1

A



B



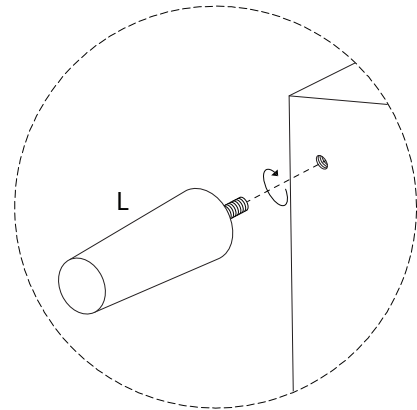
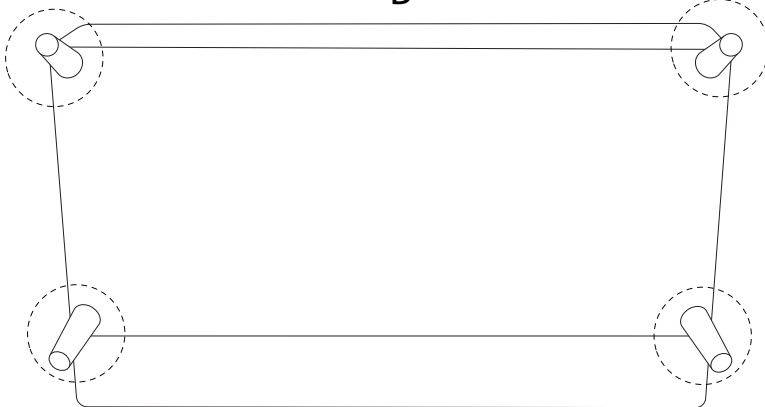
3

L

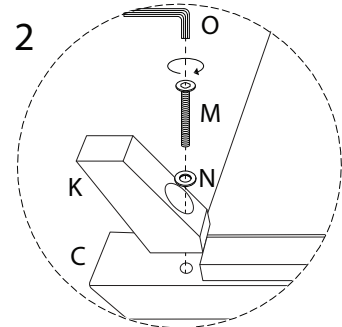
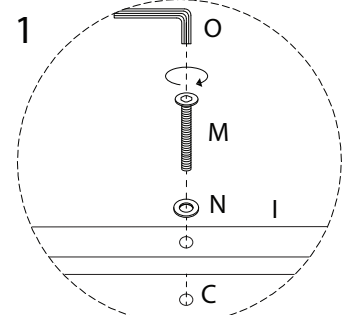
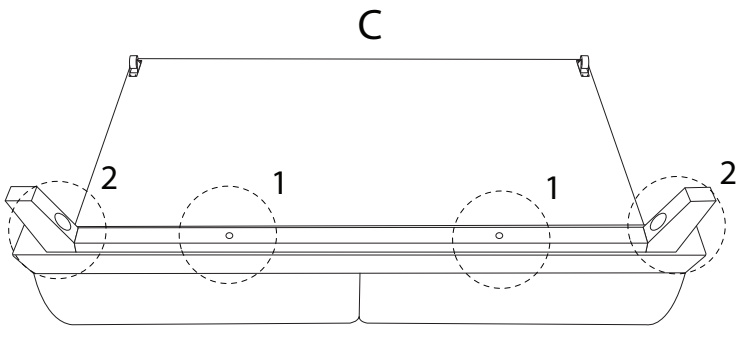
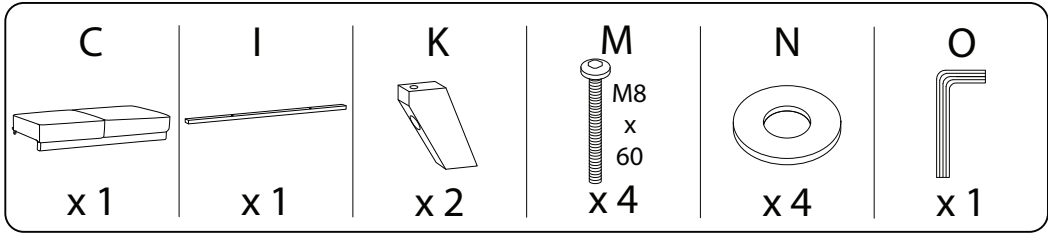


x 4

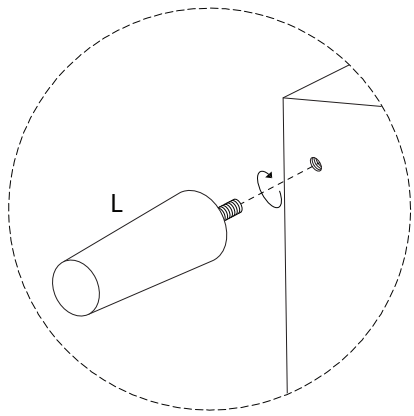
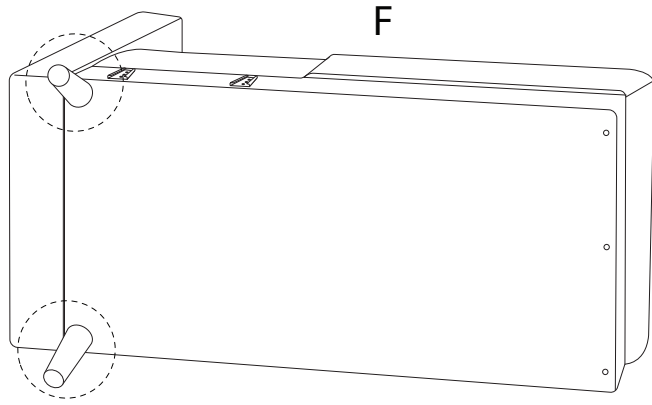
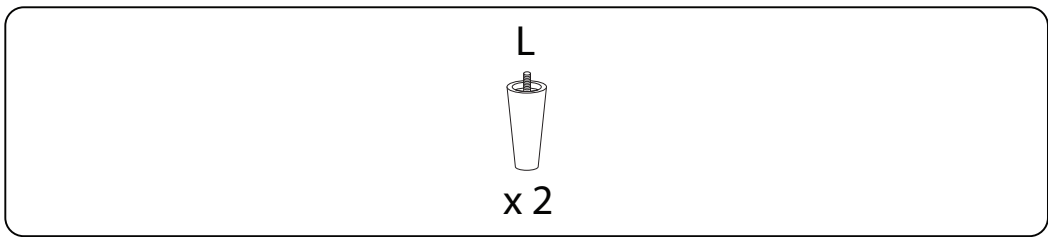
B



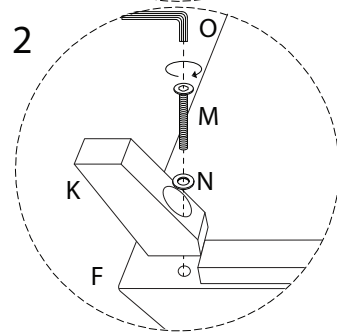
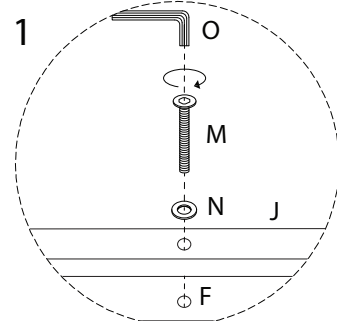
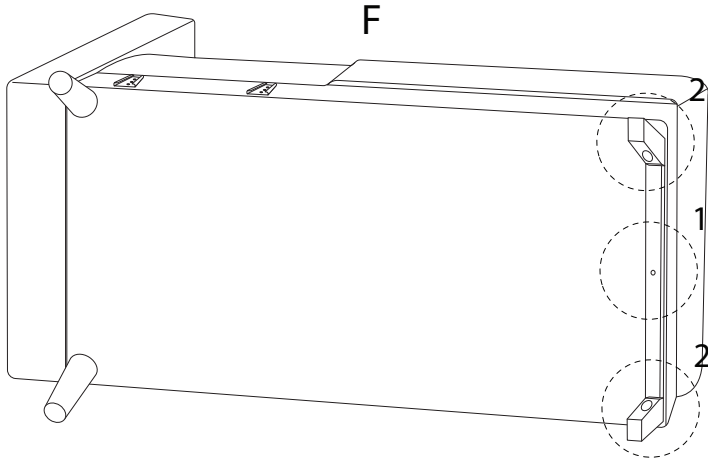
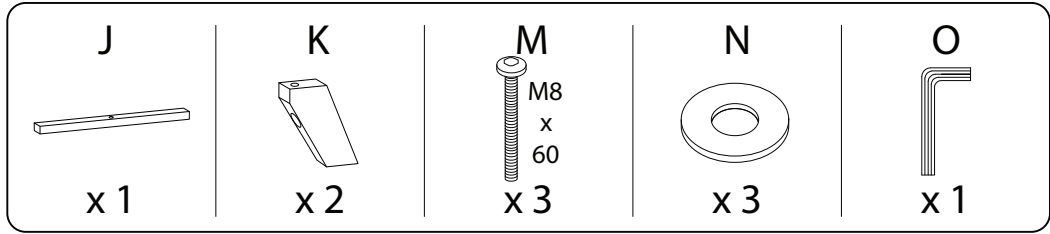
4



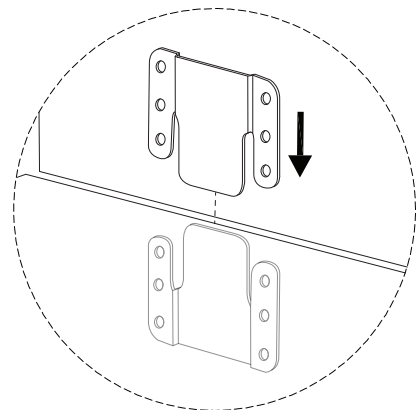
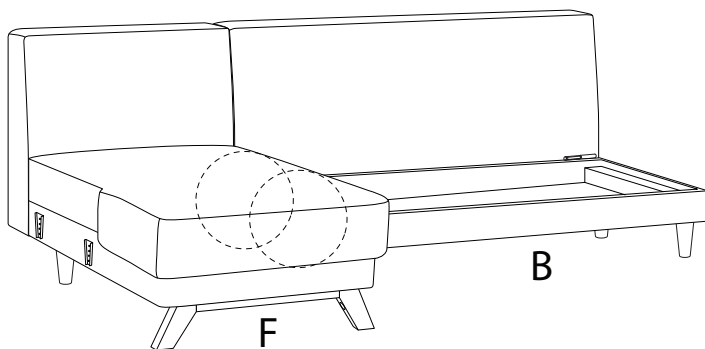
5



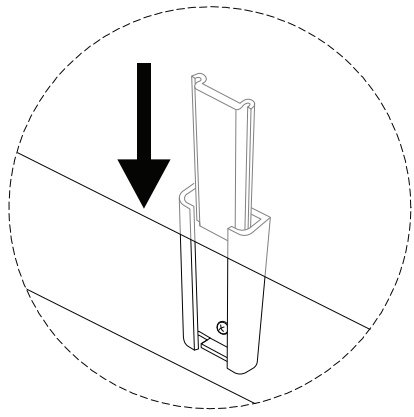
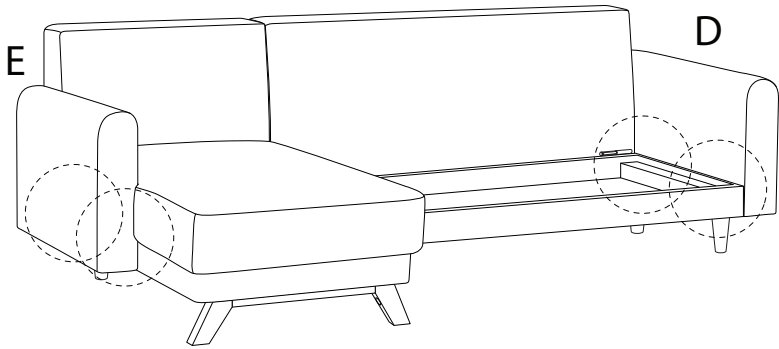
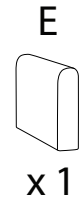
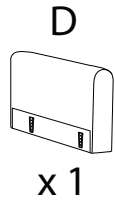
6



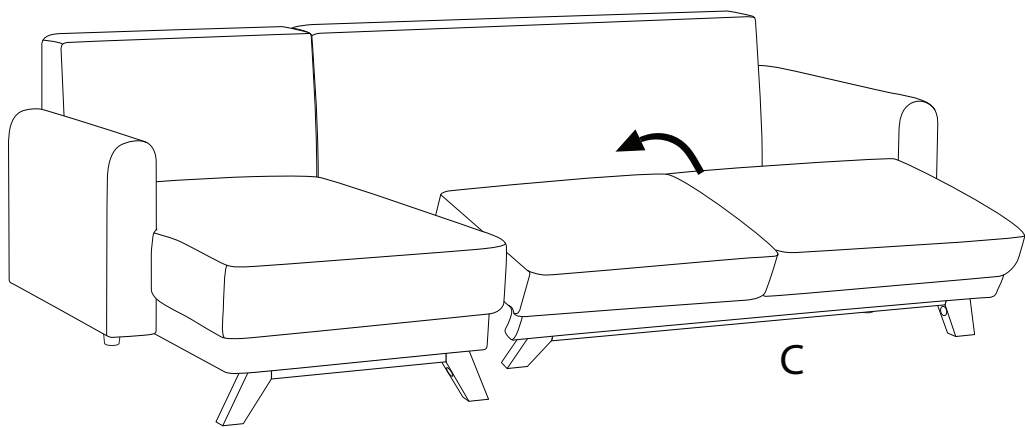
7



8

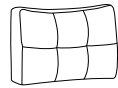


9

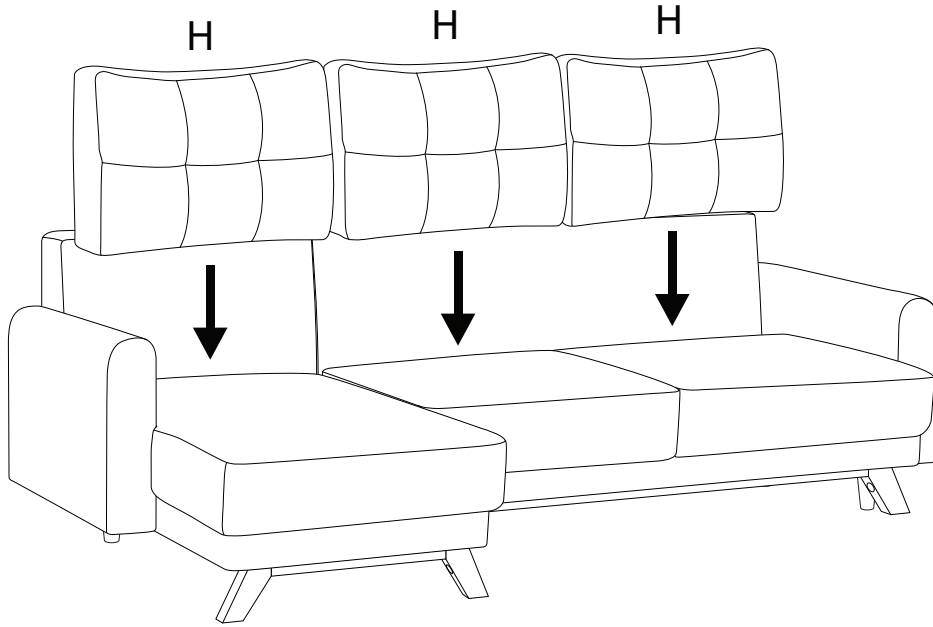


10

H



x 3



!

