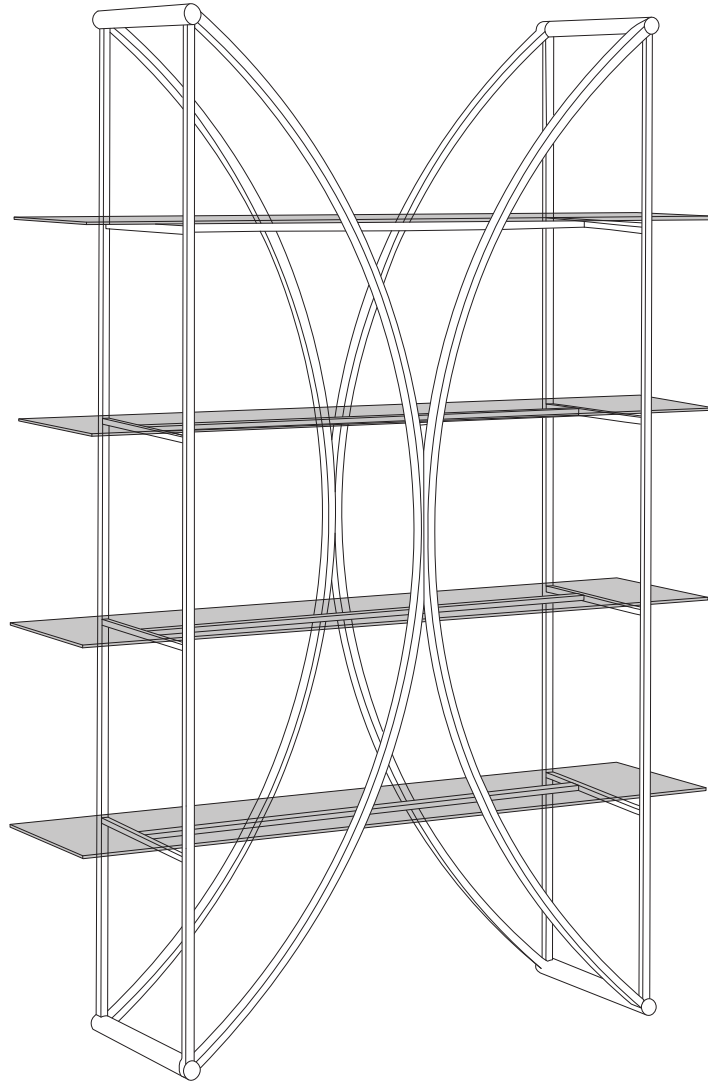
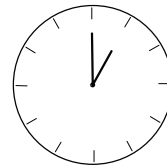
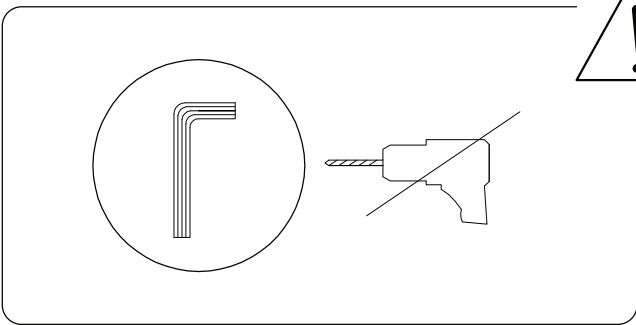
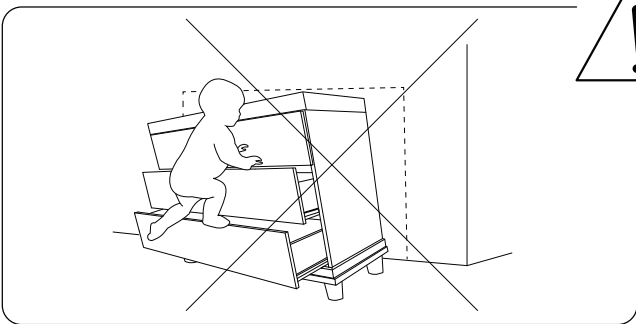
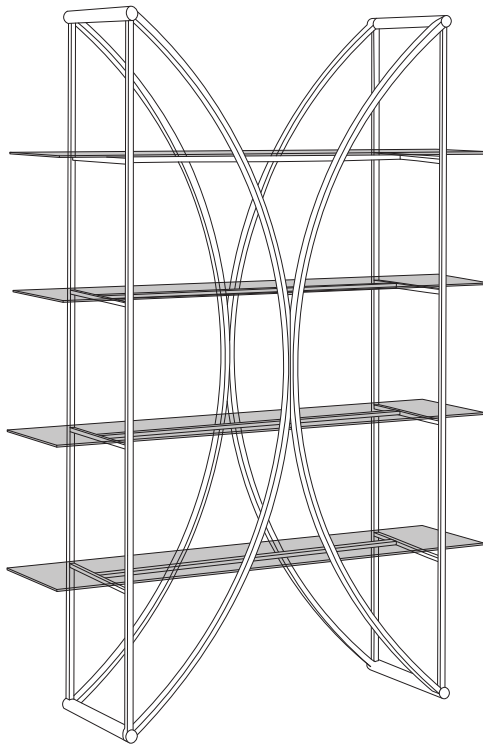
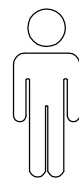
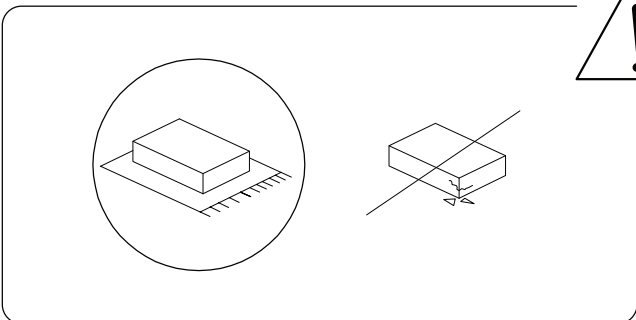


HOLLOW

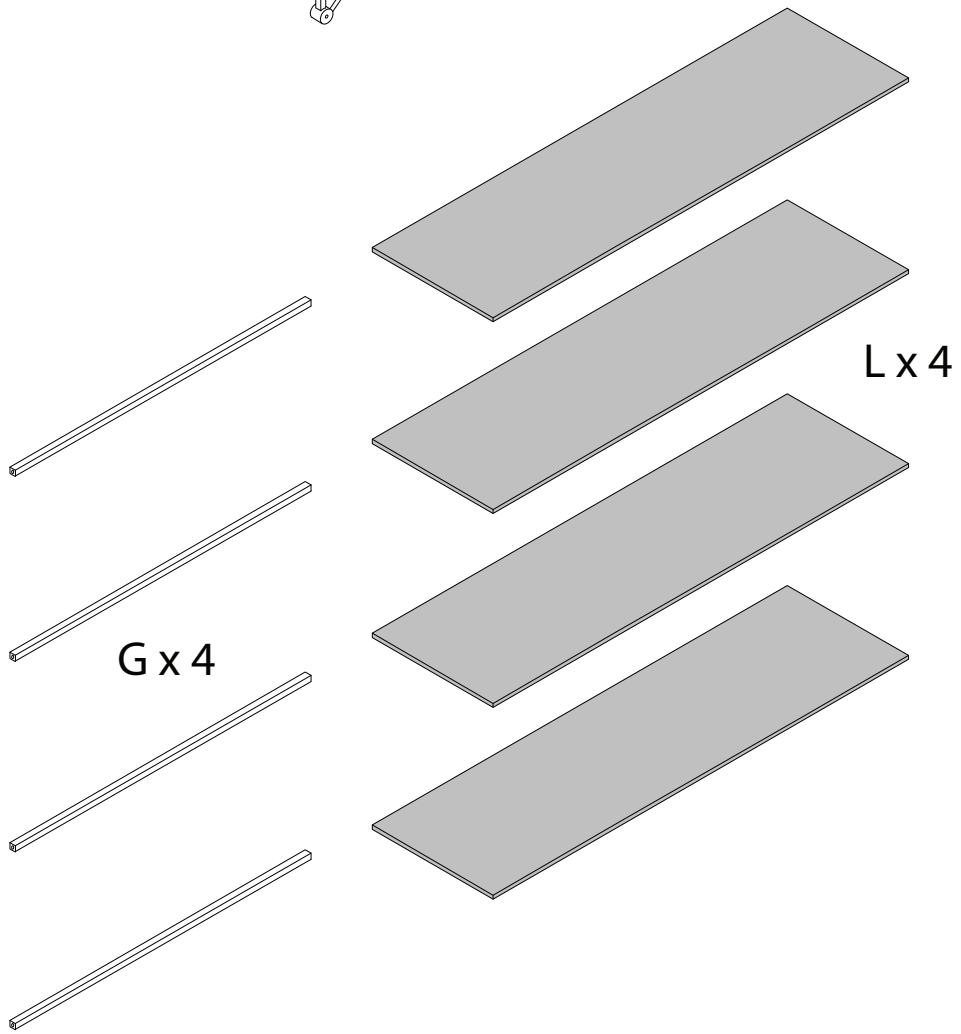
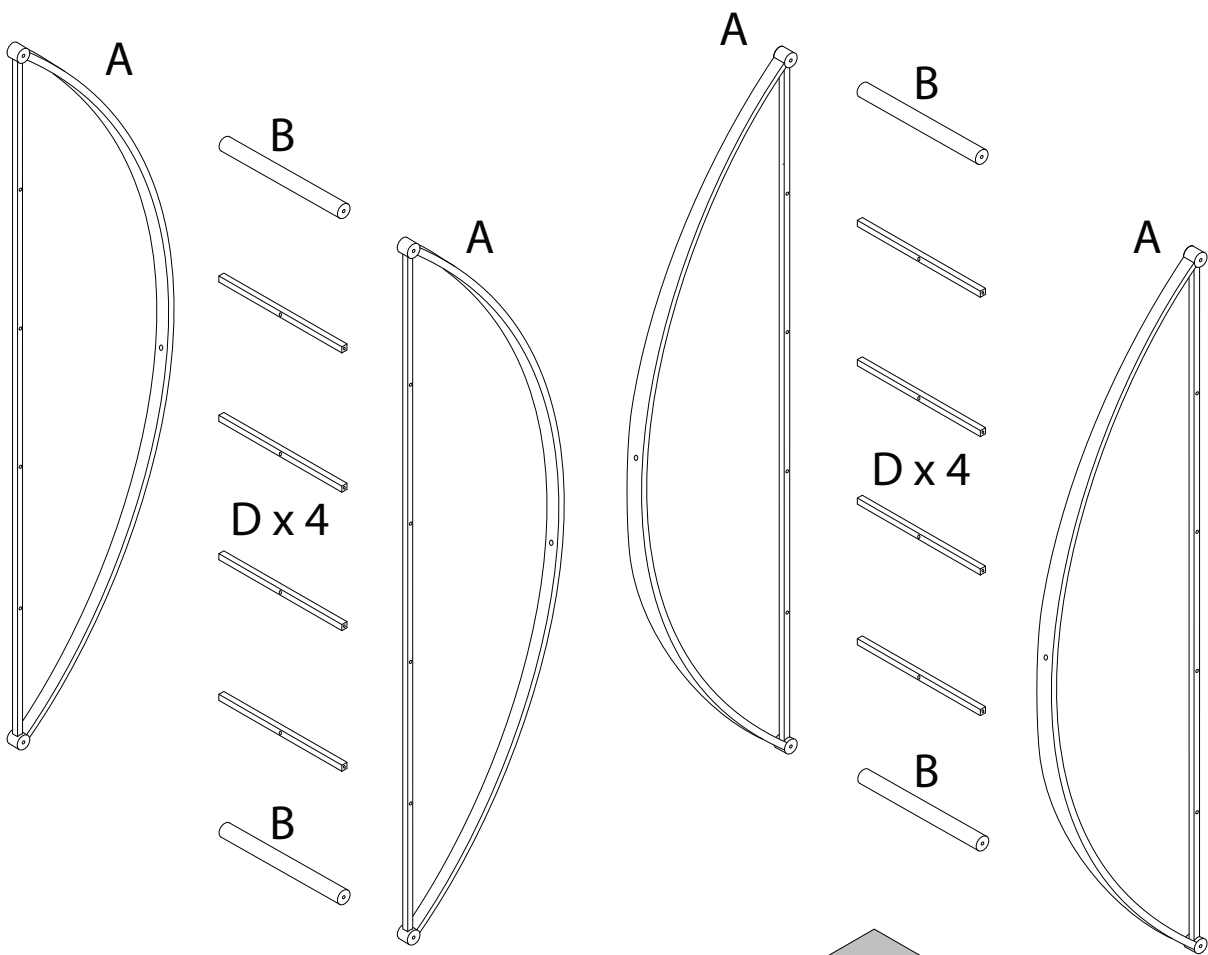




60'



2

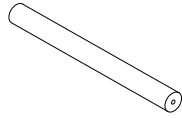


A



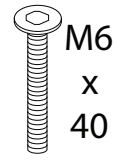
x 4

B



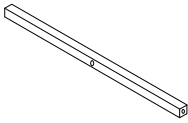
x 4

C



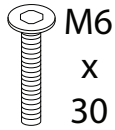
x 8

D



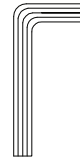
x 8

E



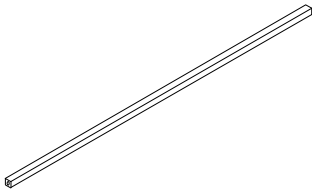
x 24

F



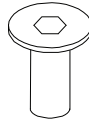
x 1

G



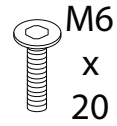
x 4

H



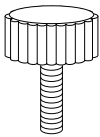
x 2

I



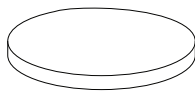
x 2

J



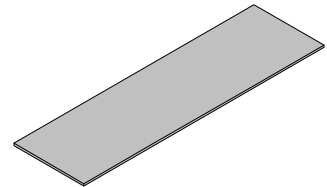
x 4

K



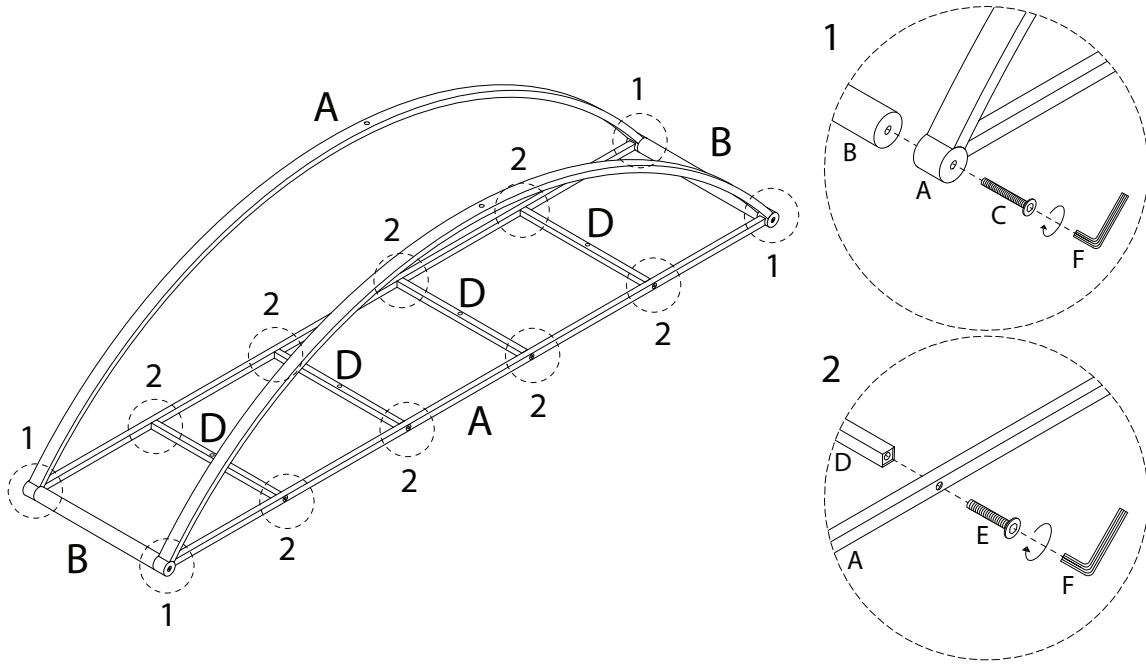
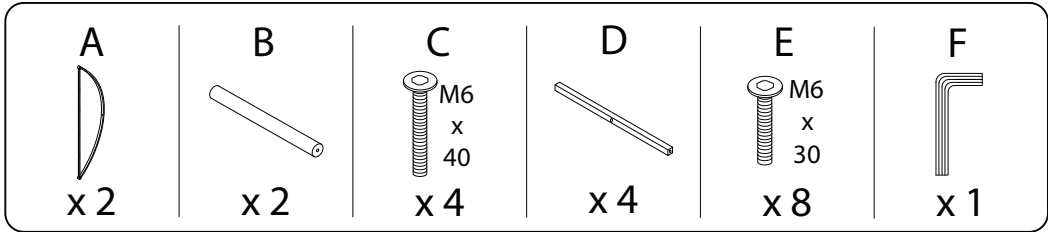
x 20

L

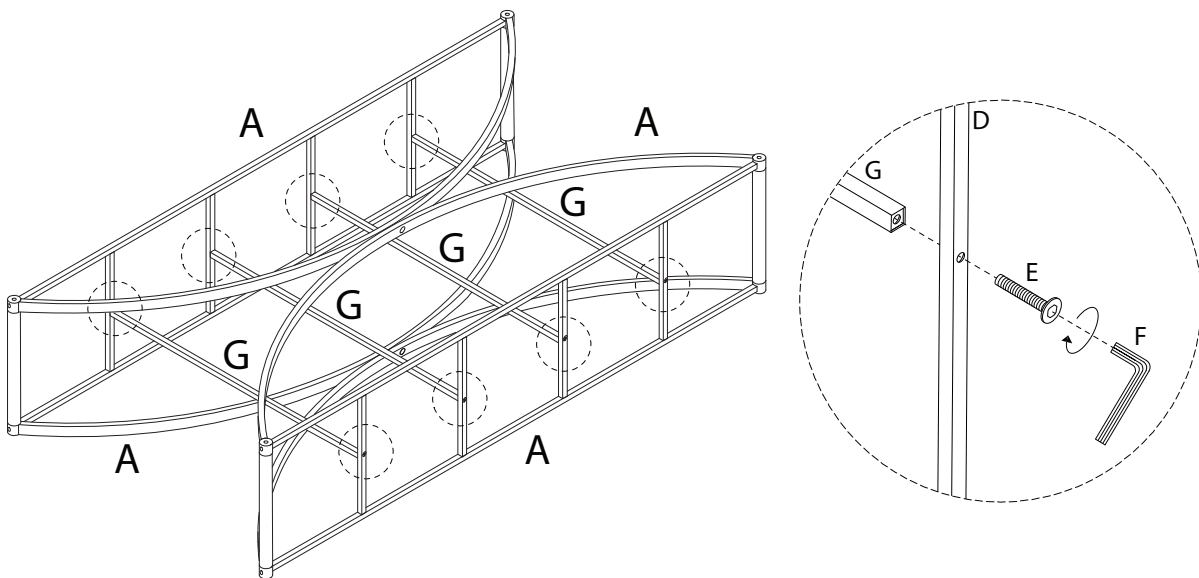
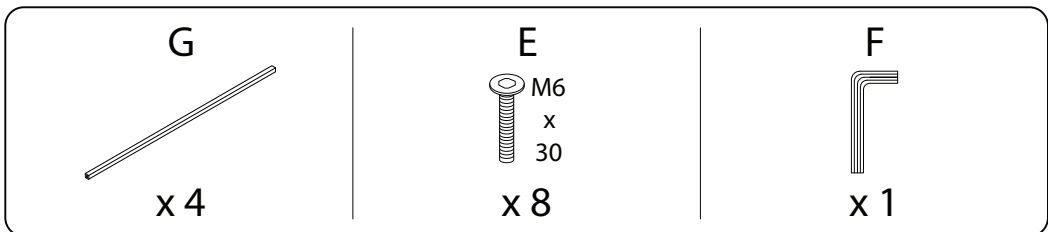


x 4

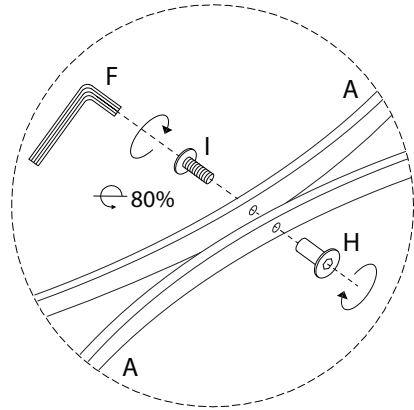
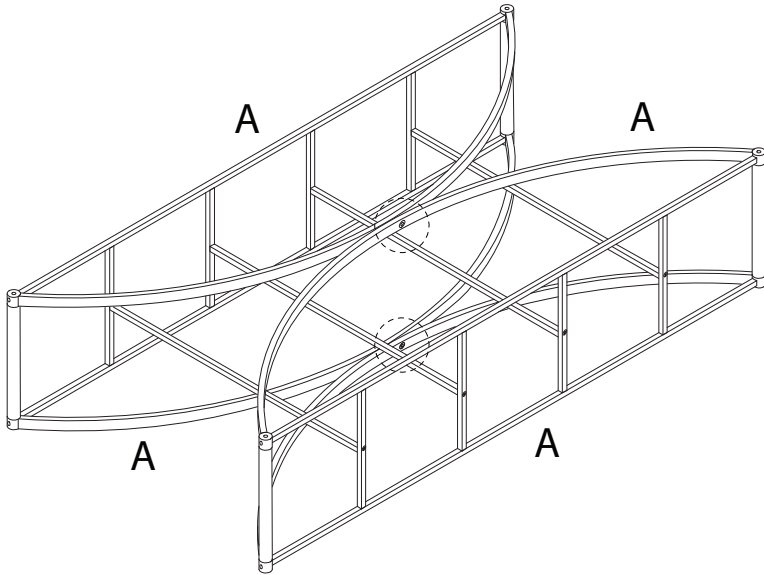
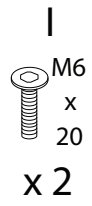
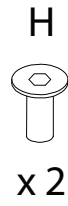
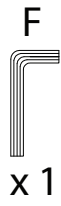
1 x 2



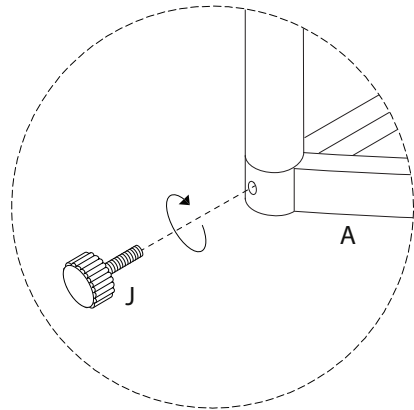
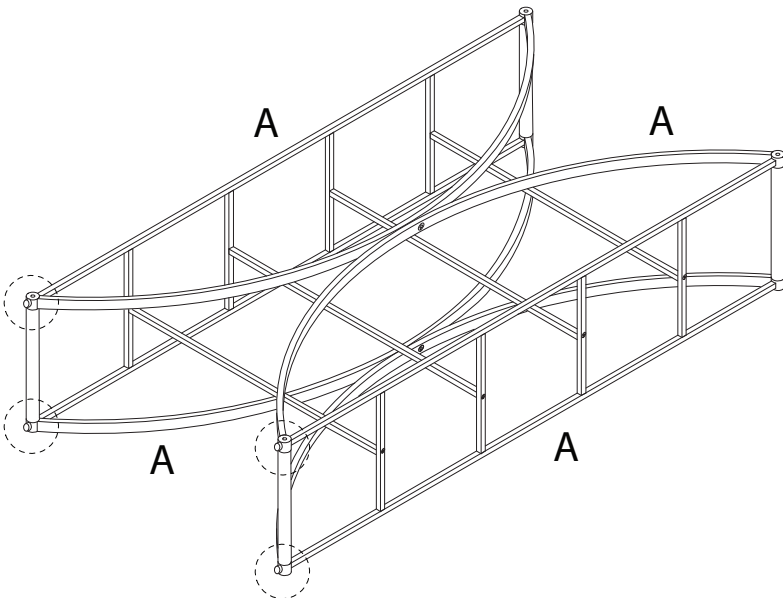
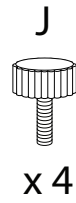
2



3



4

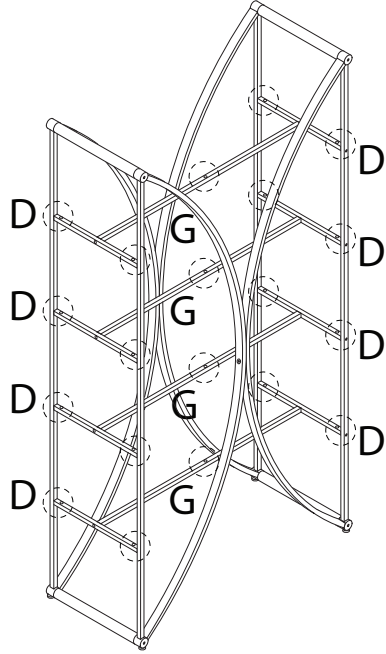


5

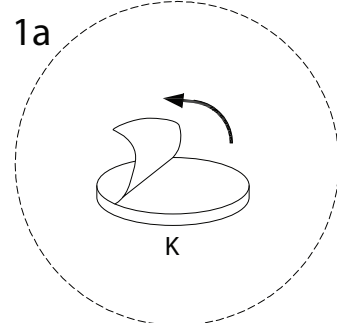
K



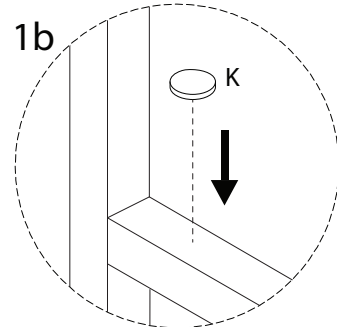
x 20



1a

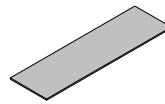


1b

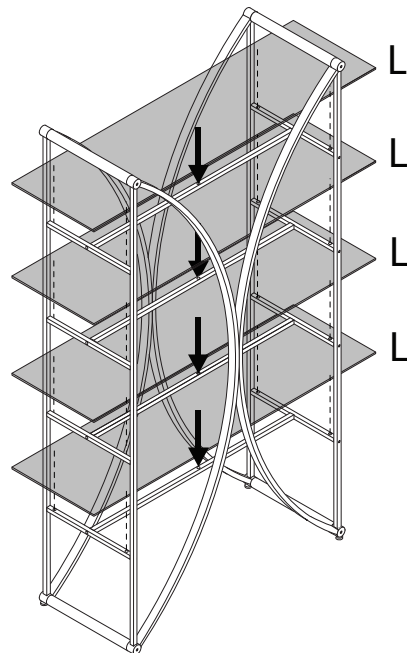


6

L



x 4



7

