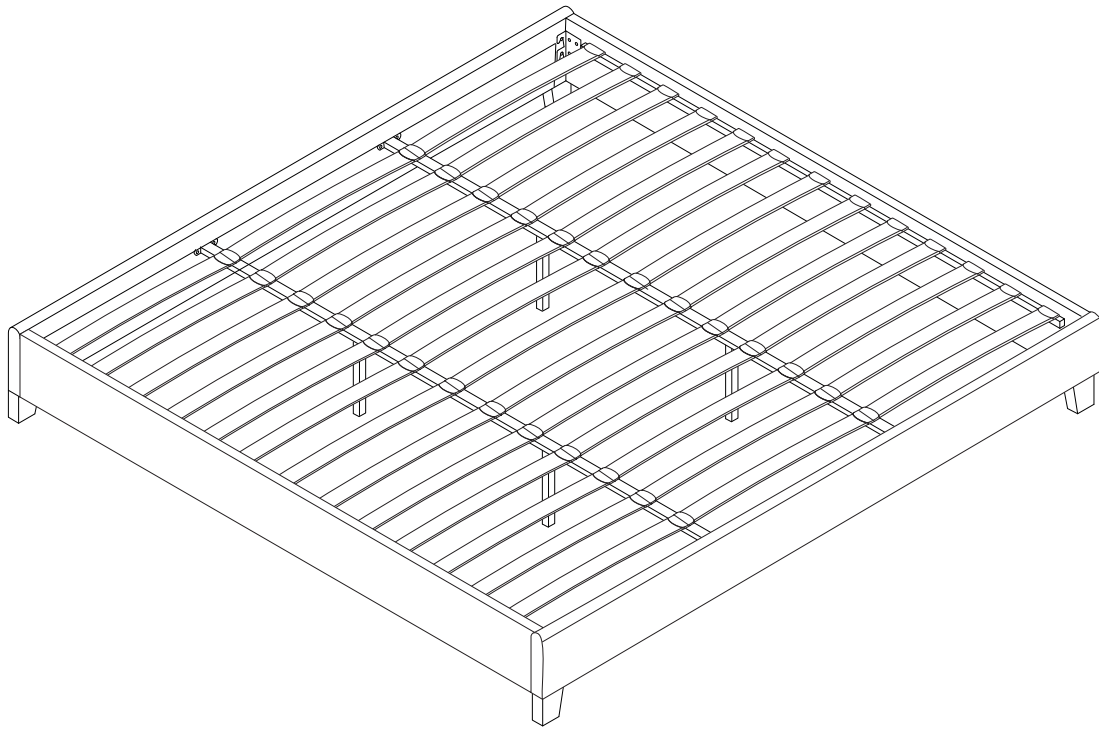
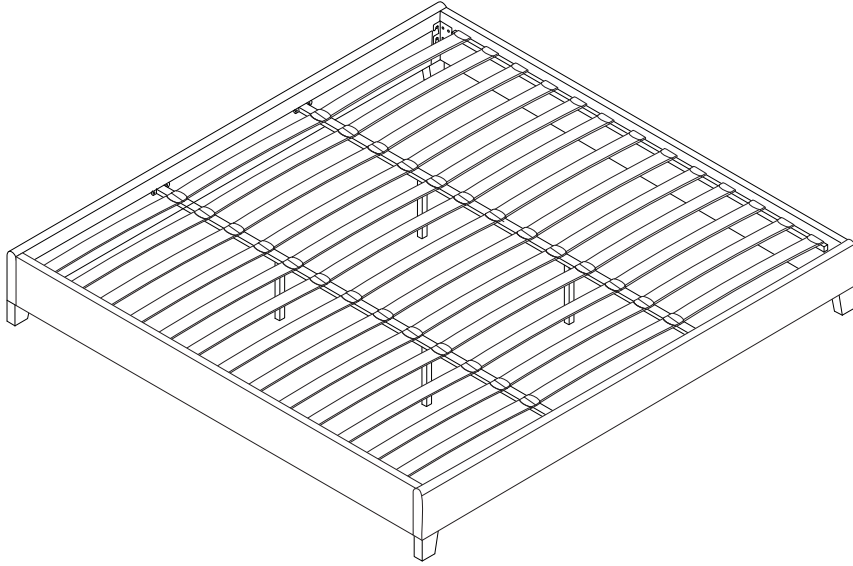


# ROANNE





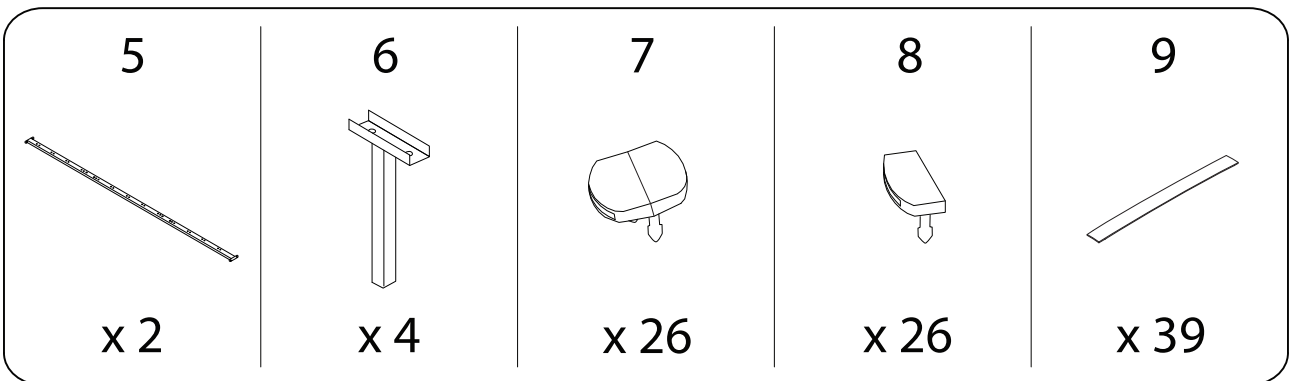
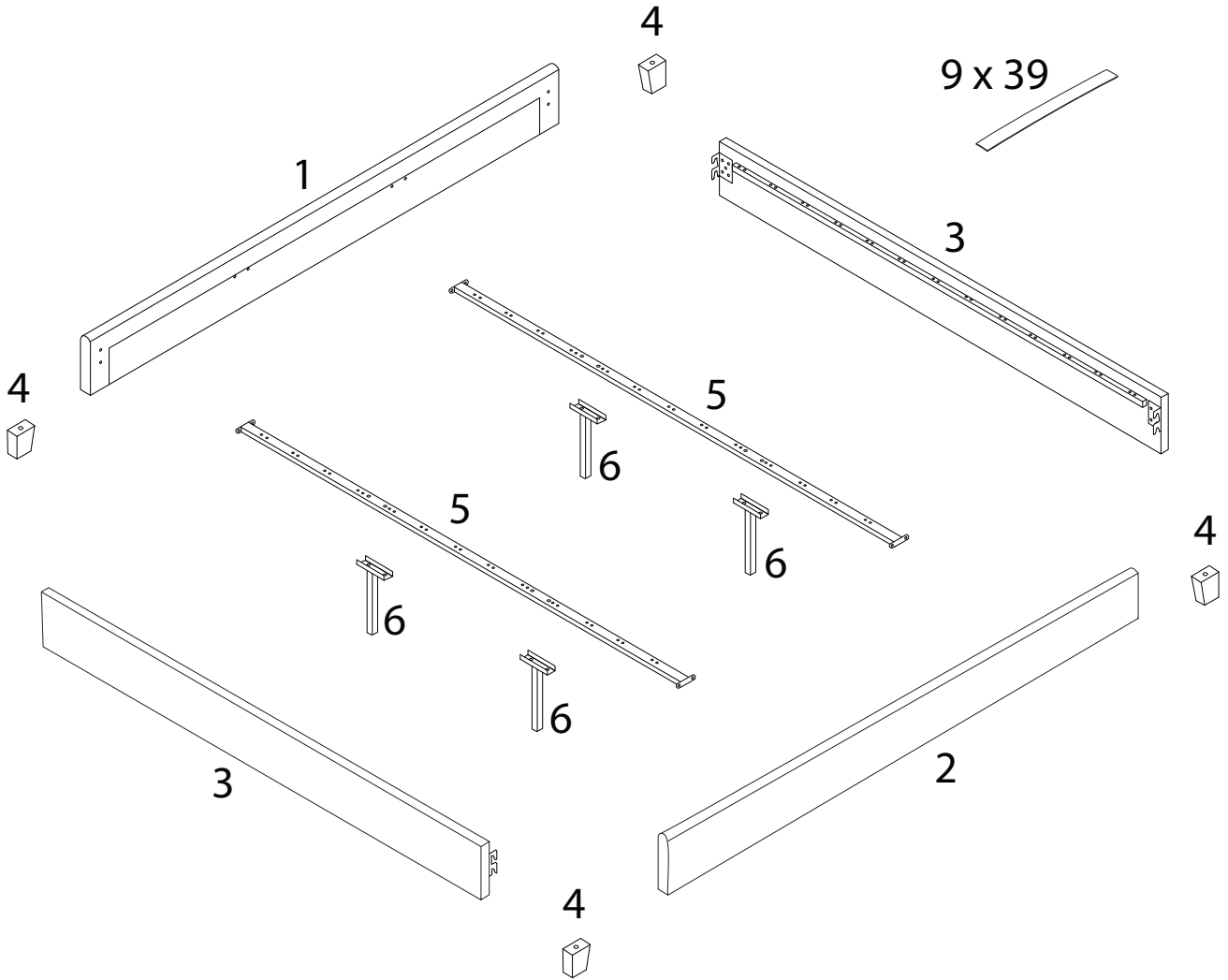
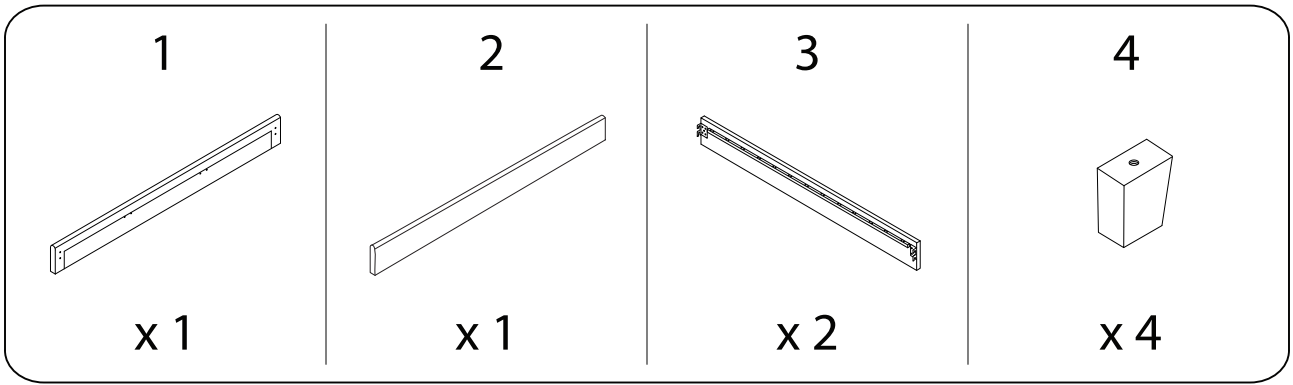
Assembly instructions for the bed frame, including tool requirements, time, and personnel.

**Tools:** An icon shows an Allen key and a wrench inside a circle, with a crossed-out power drill icon next to it, indicating that a power drill is not required.

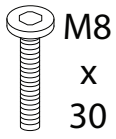
**Warning:** A triangle with an exclamation mark indicates a warning.

**Time:** A clock icon is shown with the text "30'" below it, indicating an estimated assembly time of 30 minutes.

**Personnel:** An icon of a person is shown with the number "2" below it, indicating that two people are required for assembly.

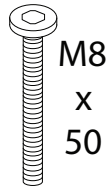


A



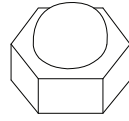
x 24

B



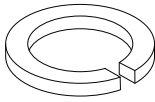
x 4

C



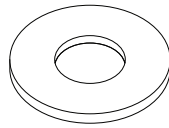
x 8

D



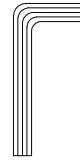
x 8

E



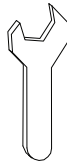
x 16

F




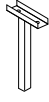
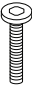
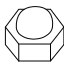

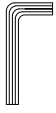

x 1

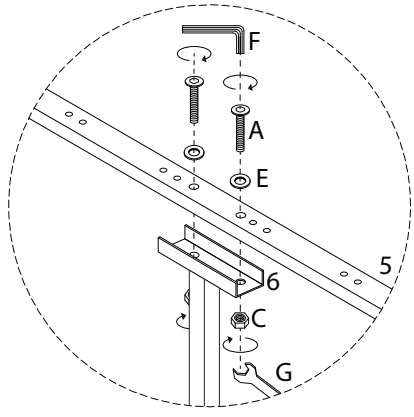
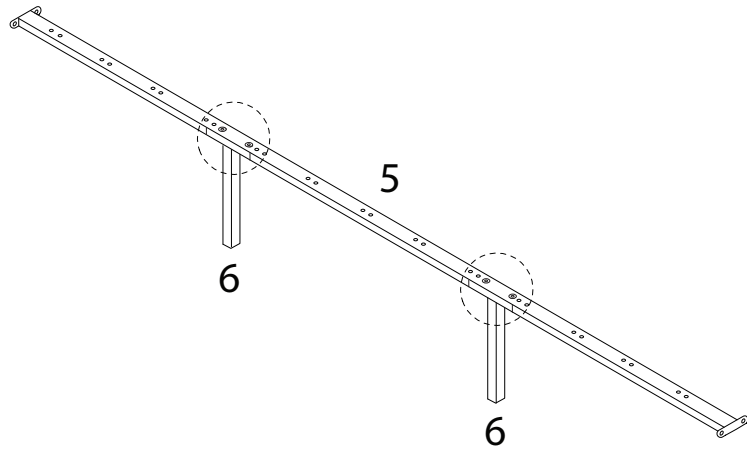
G



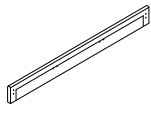
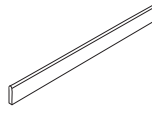
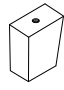
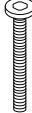
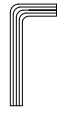
x 1

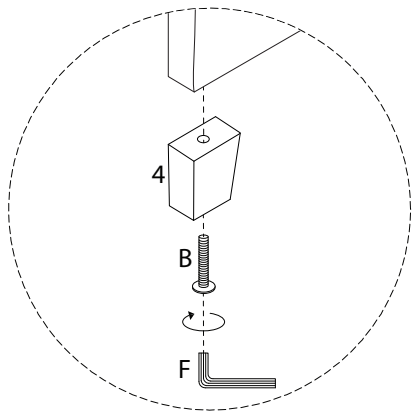
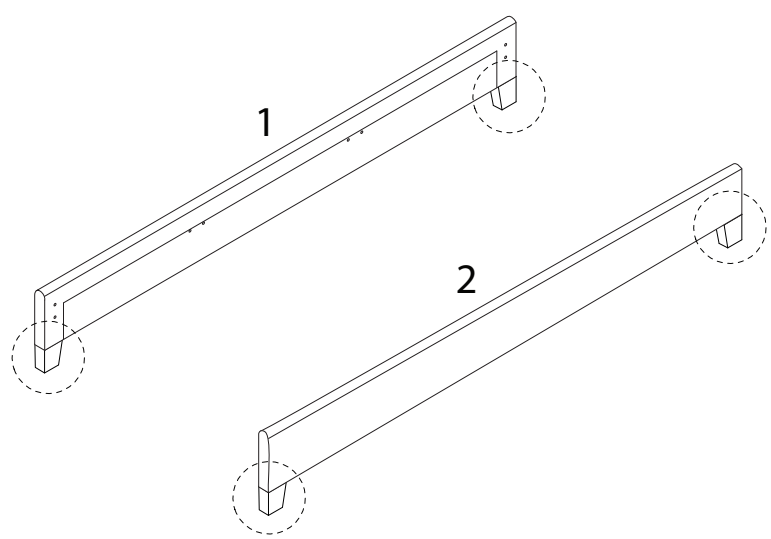
1 x 2

5  x 1	6  x 2	A  M8 x 30 x 4	C  x 4	E  x 4	F  x 1	G  x 1
---	---	--	---	--	---	---

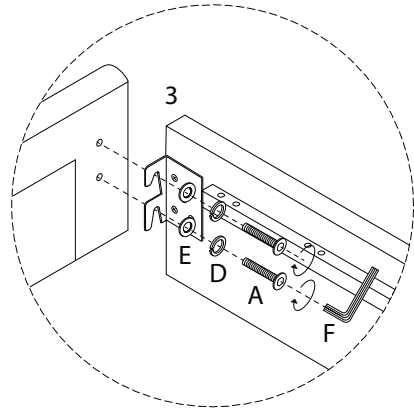
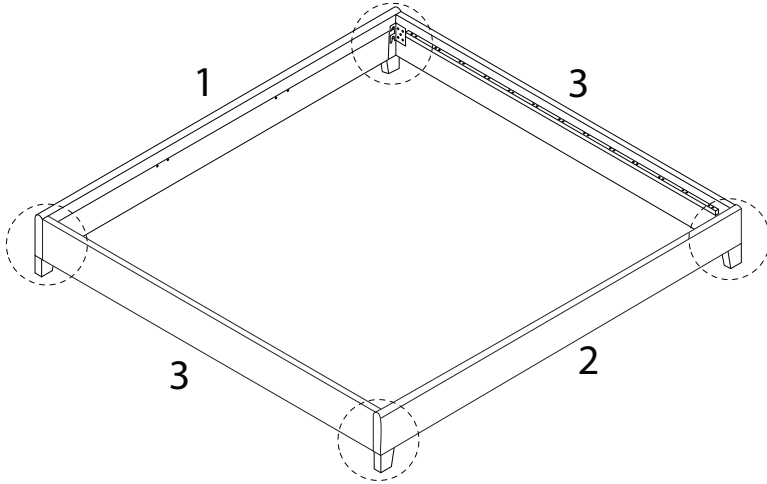
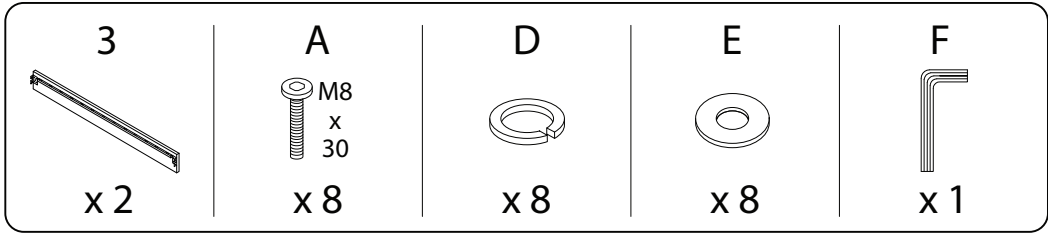


2

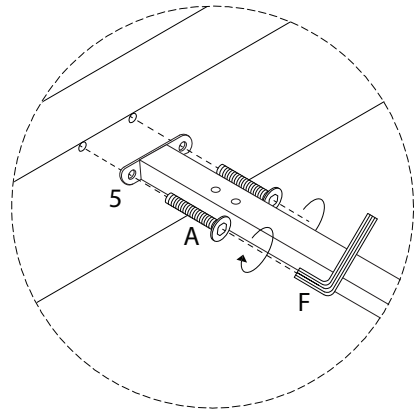
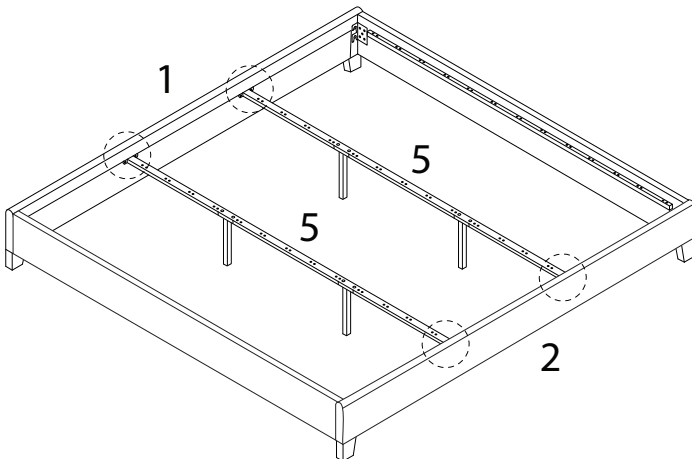
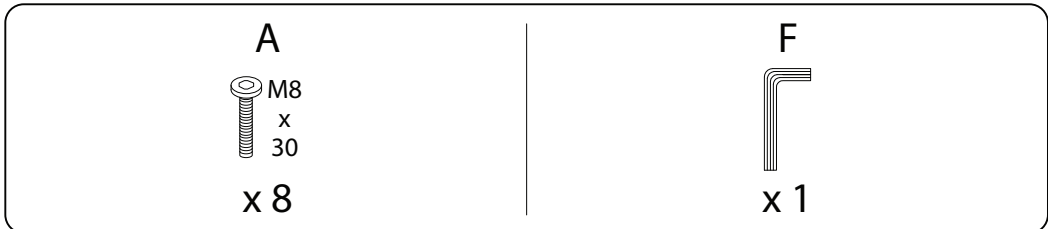
1  x 1	2  x 1	4  x 4	B  M8 x 50 x 4	F  x 1
---	---	---	--	---



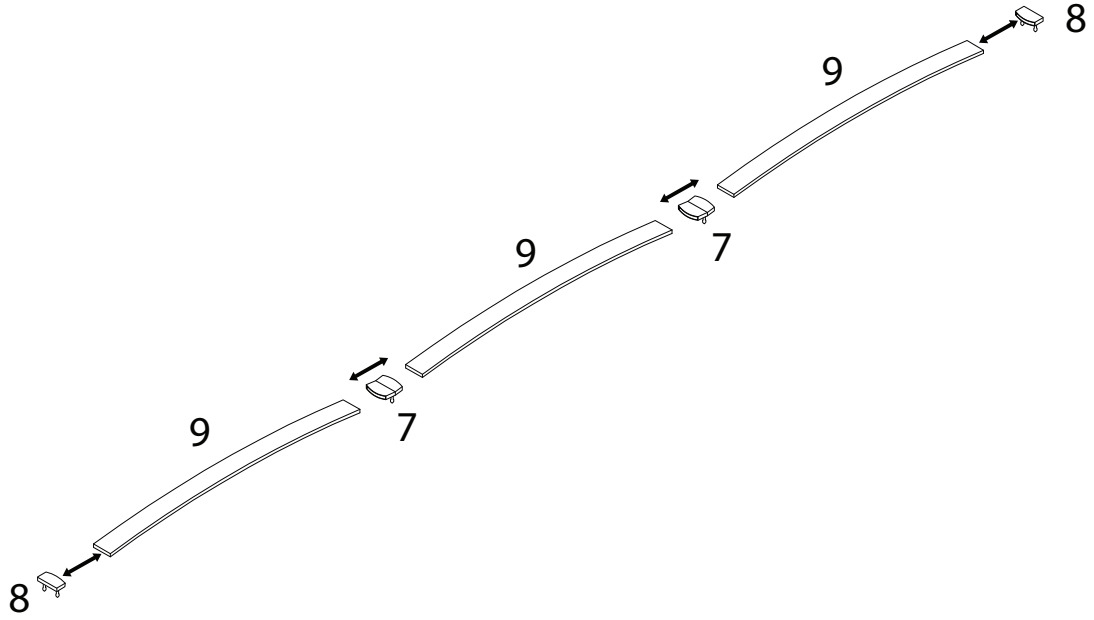
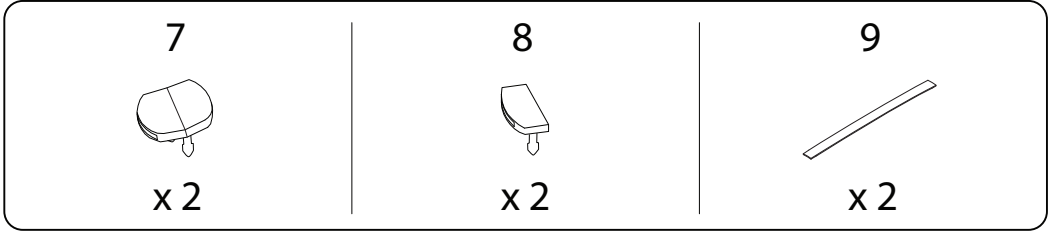
3



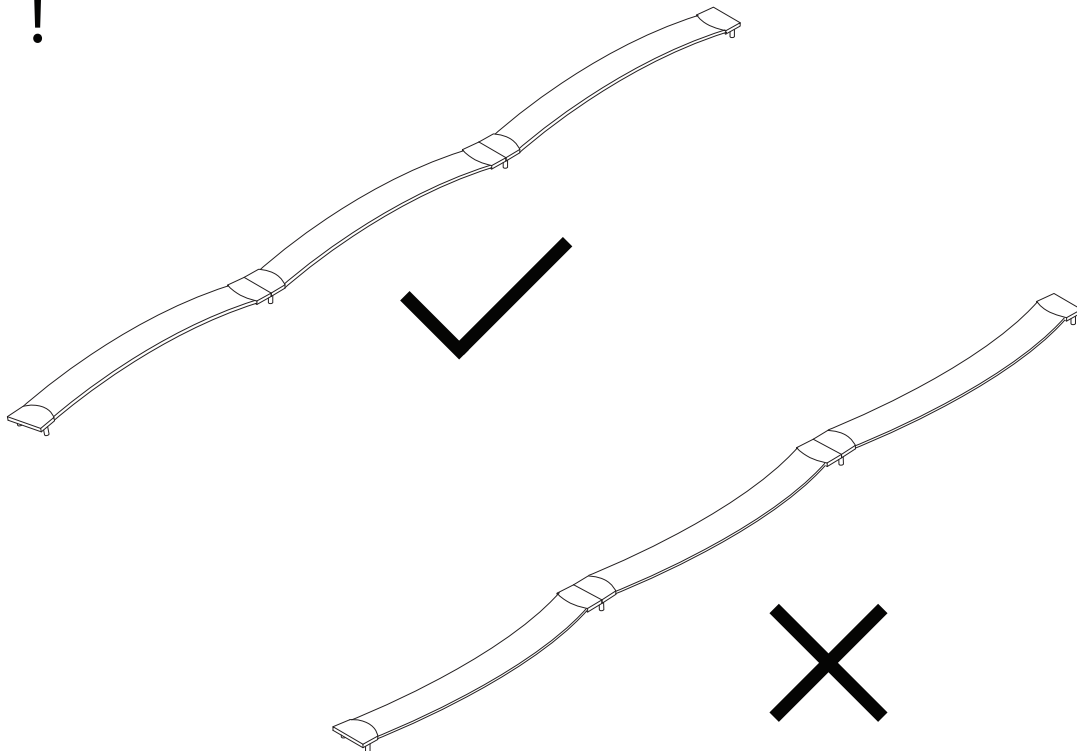
4



5 x 13



!



6

