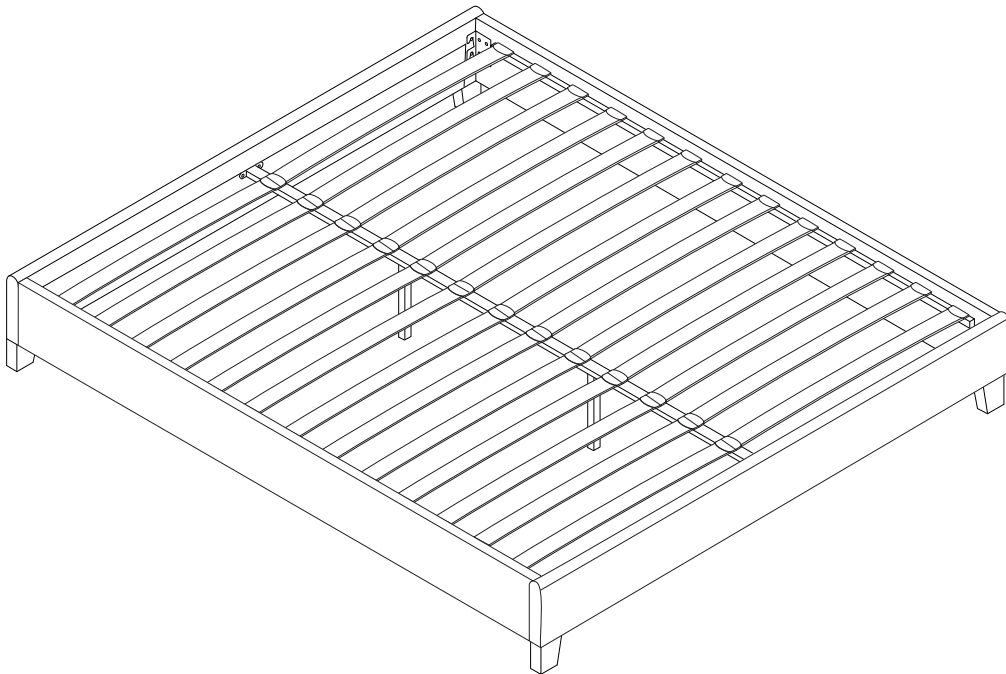
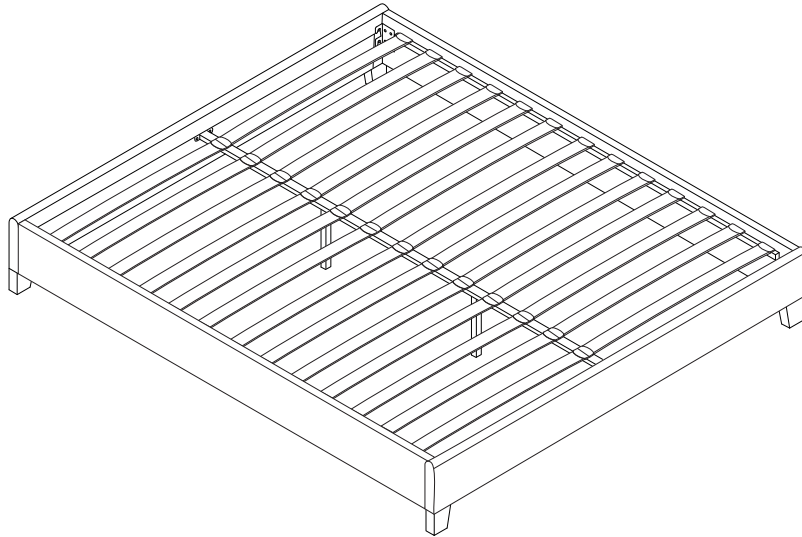


ROANNE





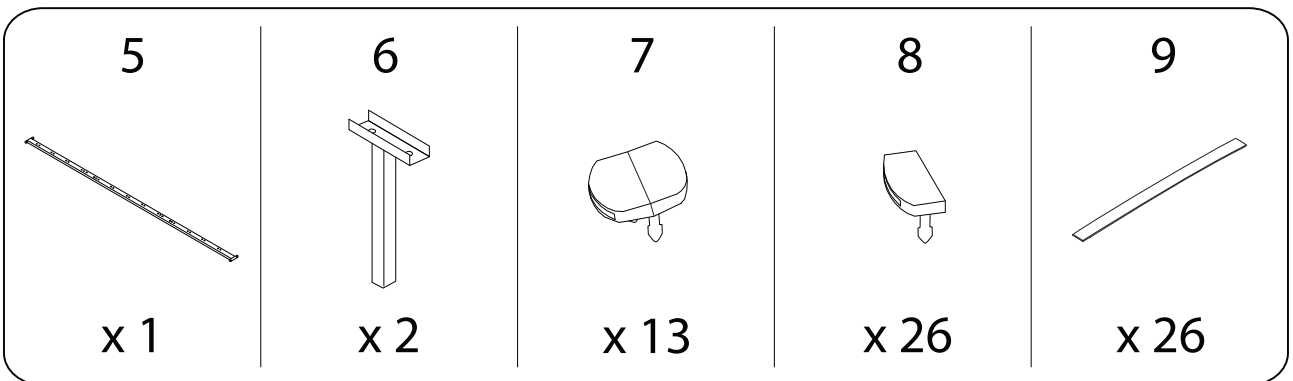
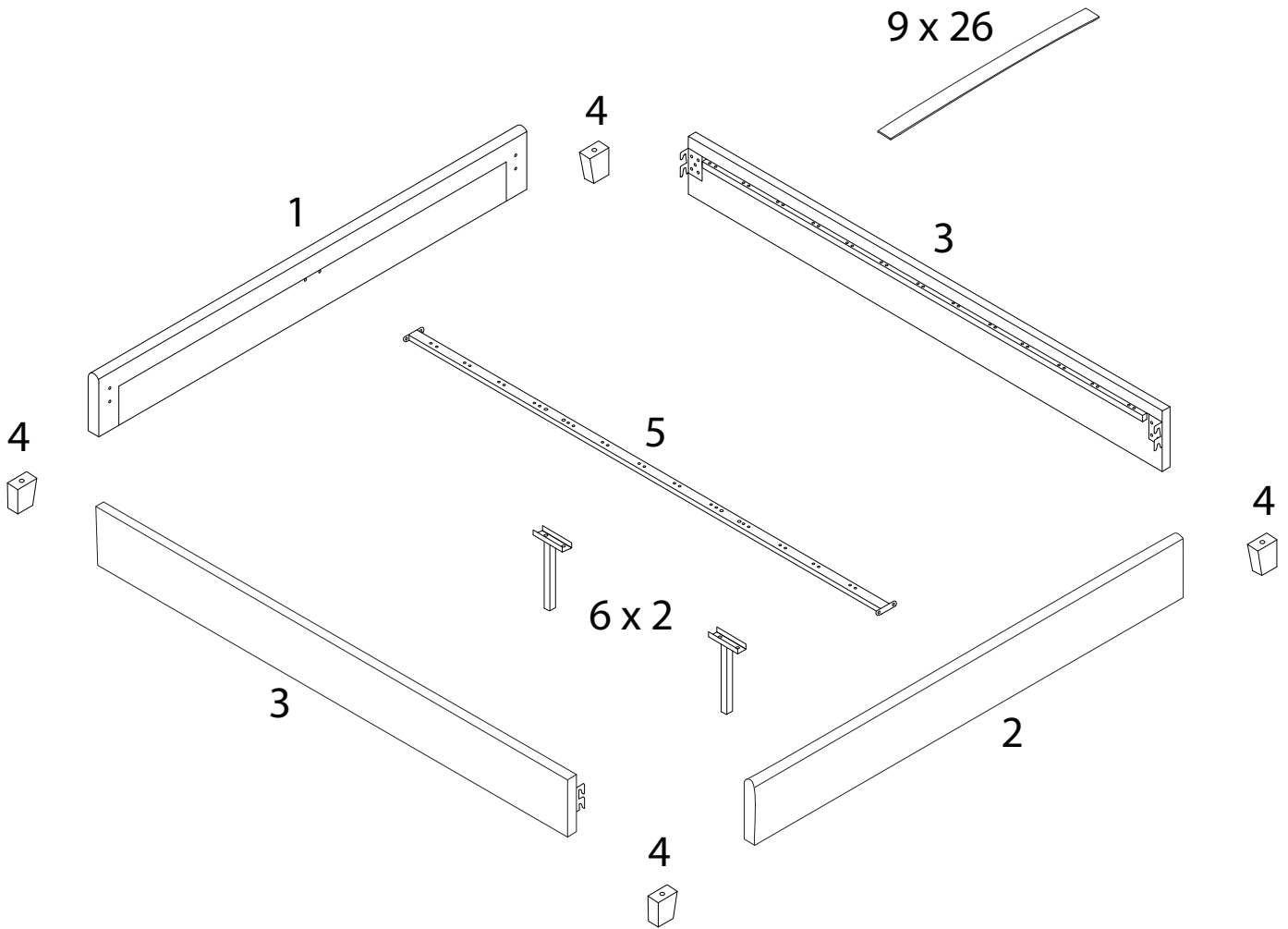
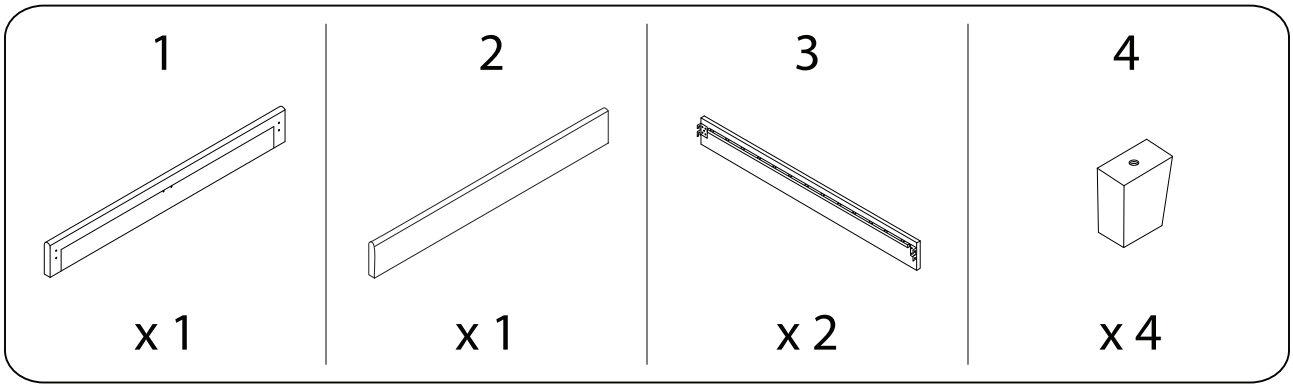
Assembly instructions for the bed frame, including tool requirements, time, and personnel.

Tools: An icon shows an Allen key and a wrench inside a circle, with a power drill crossed out by a diagonal line. A warning triangle is positioned to the right of this icon.

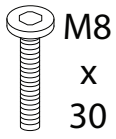
Time: An icon of a clock face is shown, with the text "30'" below it.

Personnel: An icon of a person is shown, with the number "2" below it.

Warnings: A second warning triangle is located below the first one. Below this triangle is an icon showing a mattress being placed on a slatted base, with a diagonal line crossing through it, indicating that the mattress should not be placed on the slatted base.

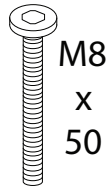


A



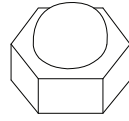
x 16

B



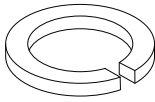
x 4

C



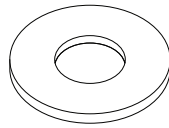
x 4

D



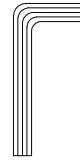
x 8

E



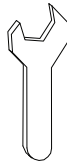
x 12

F




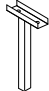
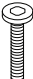


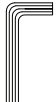

x 1

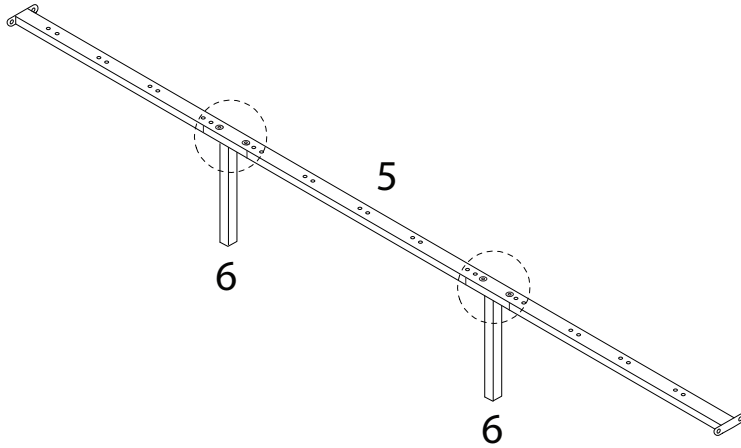
G



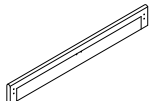
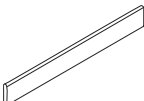
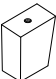
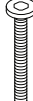
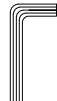
x 1

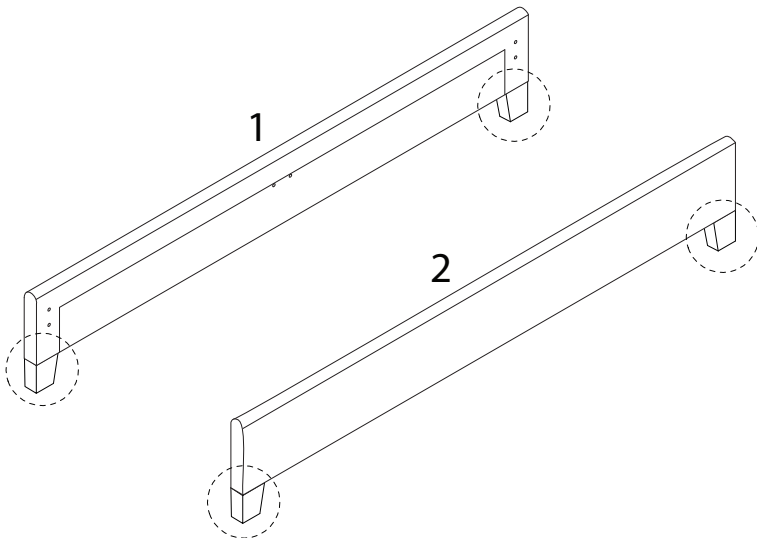
1

5  x 1	6  x 2	A  M8 x 30 x 4	C  x 4	E  x 4	F  x 1	G  x 1
--	--	---	--	---	--	--

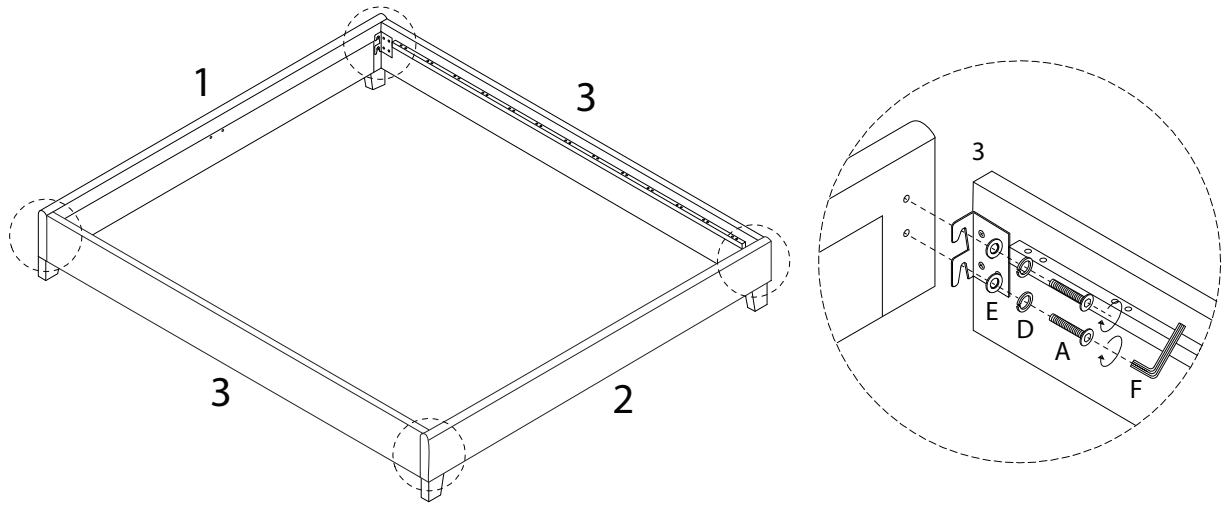
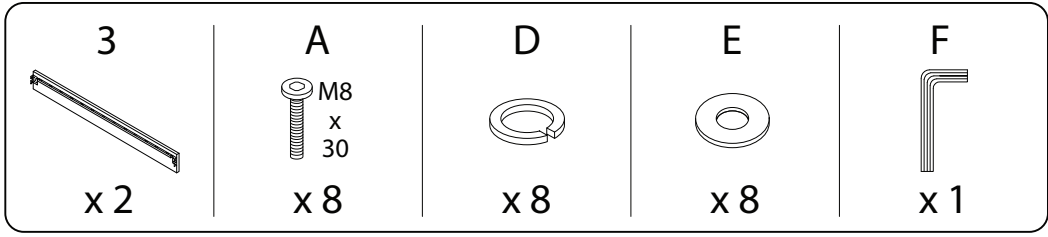


2

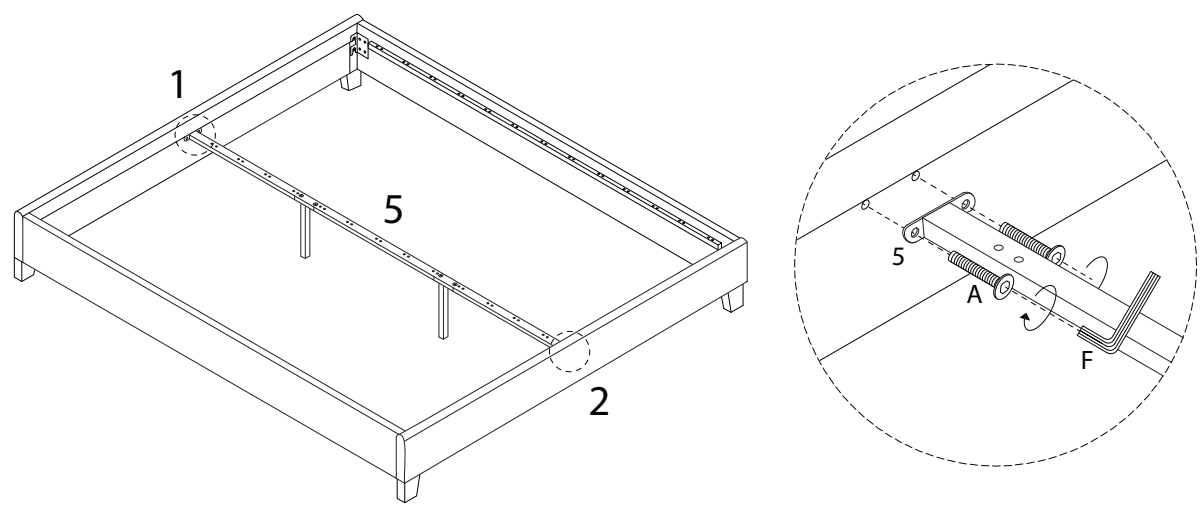
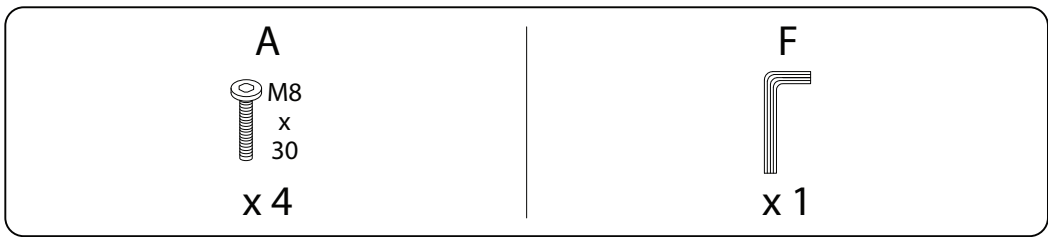
1  x 1	2  x 1	4  x 4	B  M8 x 50 x 4	F  x 1
--	--	--	---	--



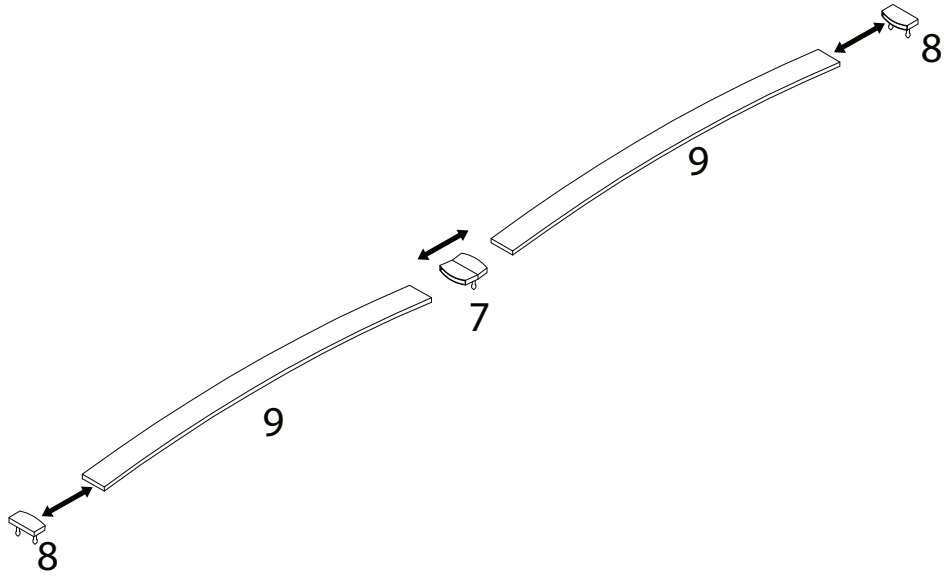
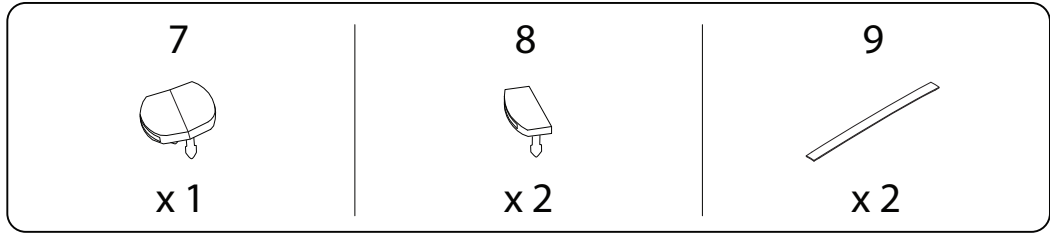
3



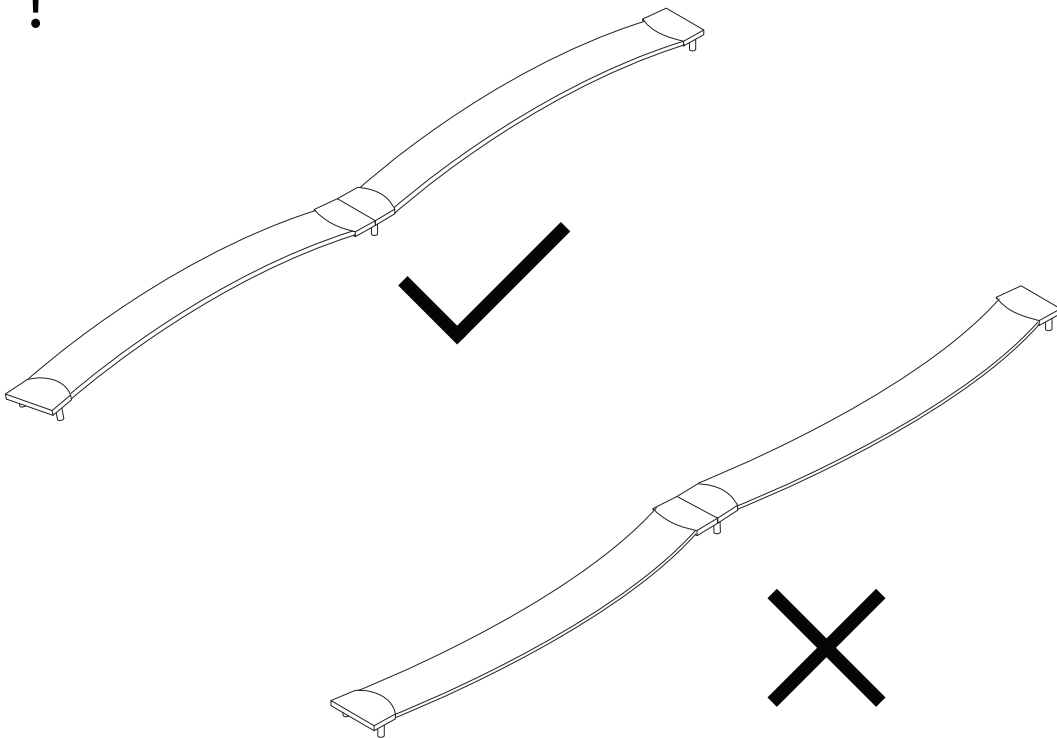
4



5 x 13



!



6

