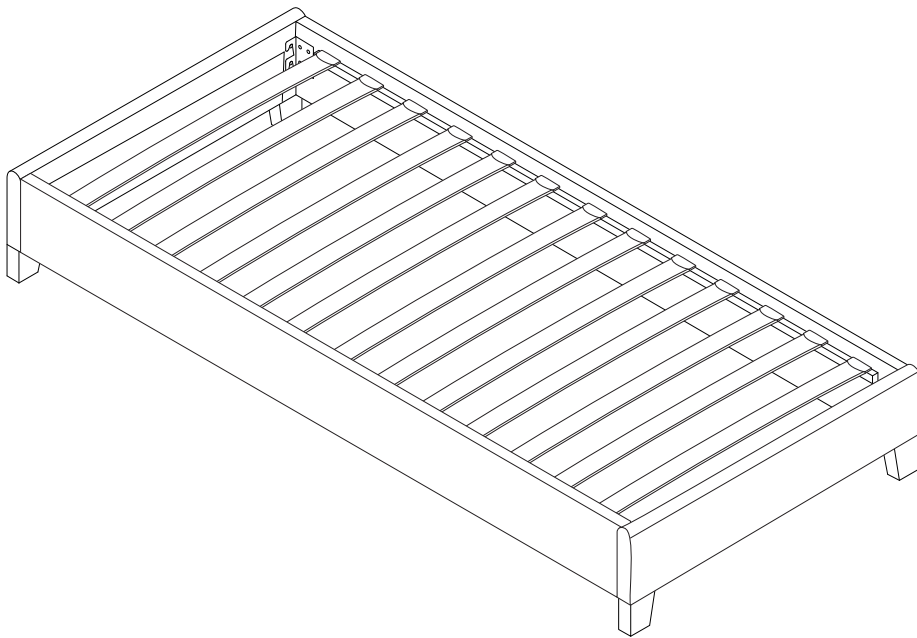
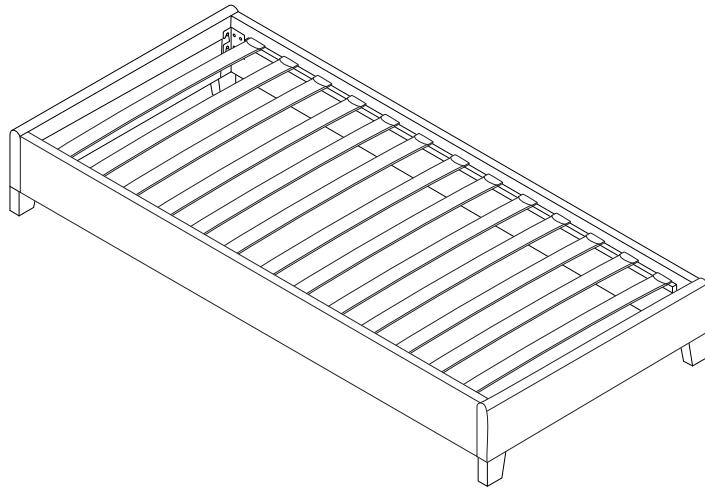


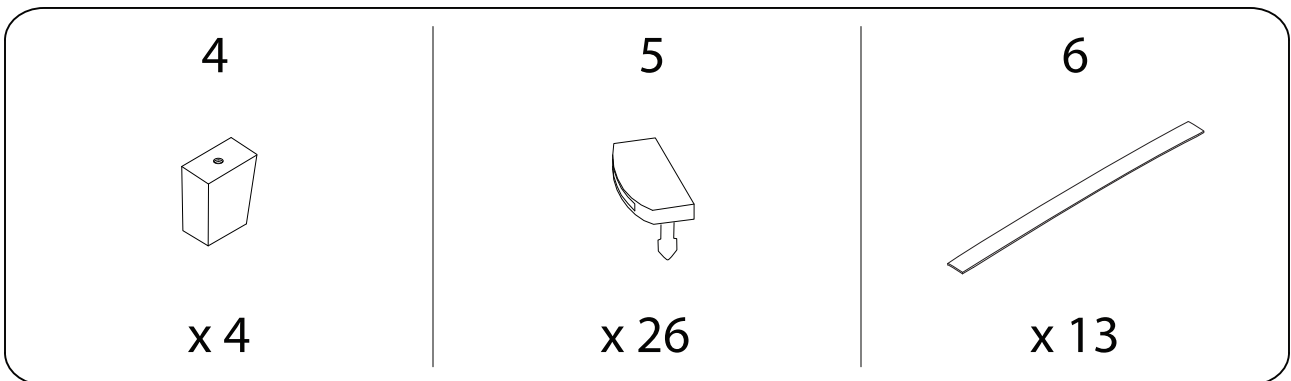
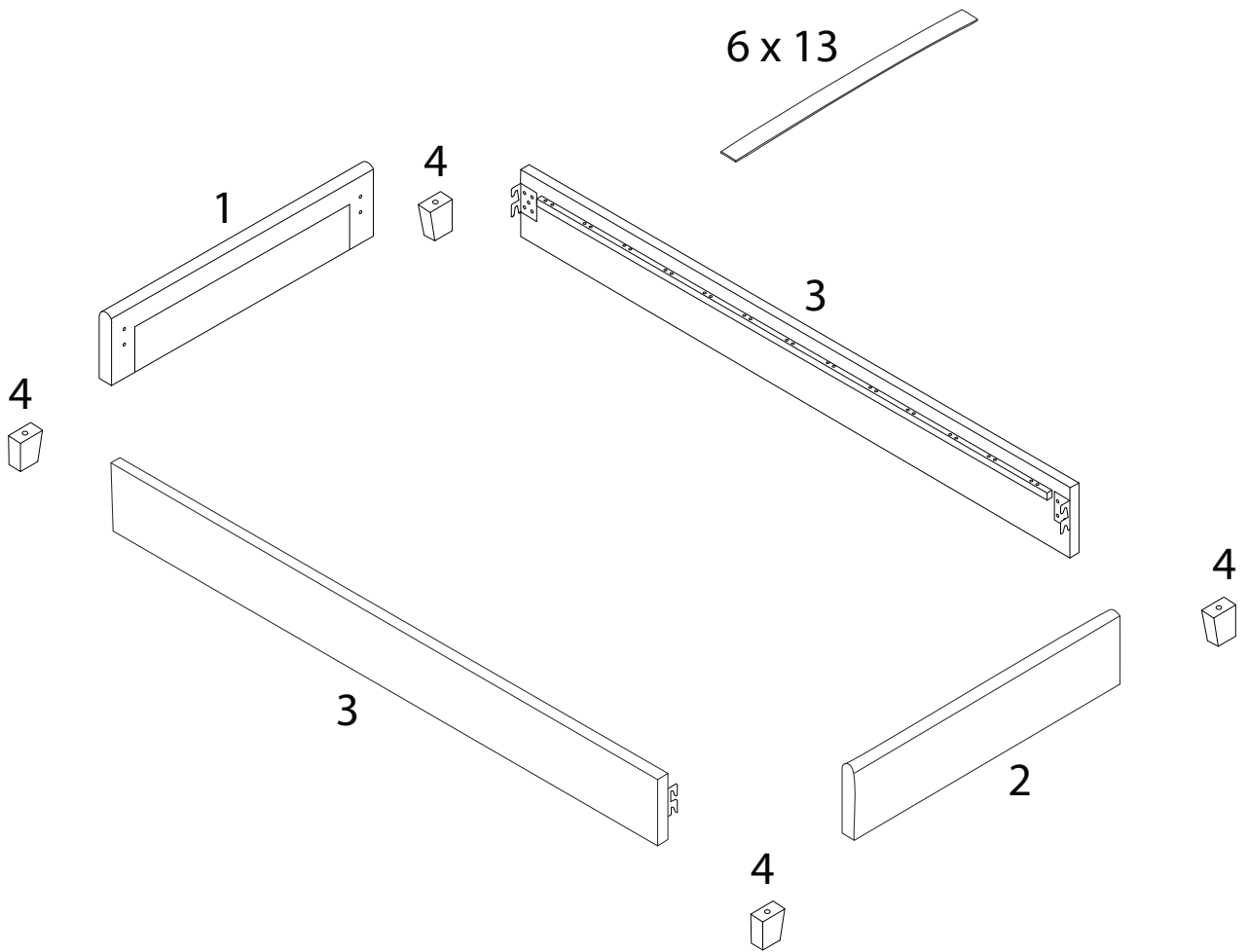
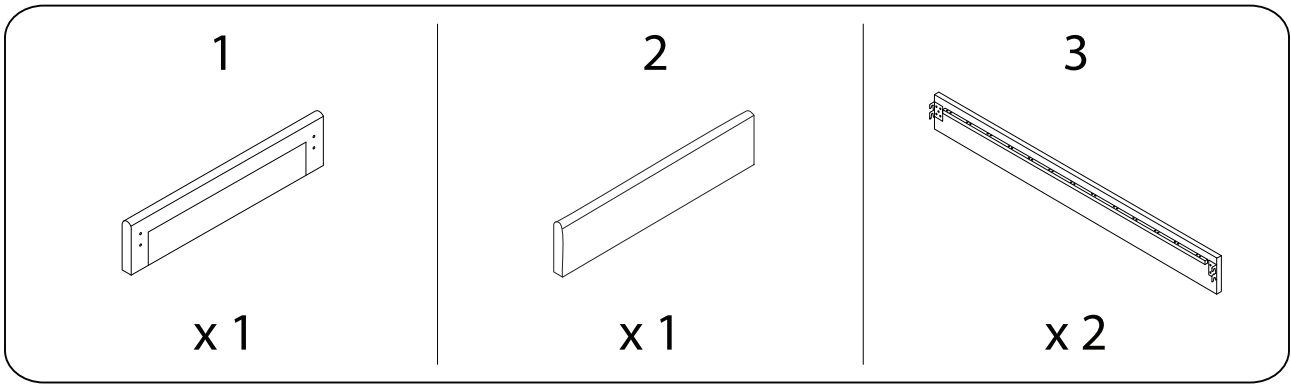
# ROANNE



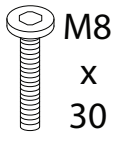



30'

2

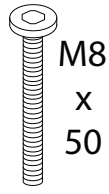


A



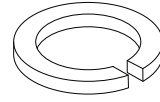
x 8

B



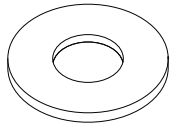
x 4

C



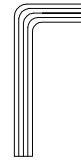
x 8

D



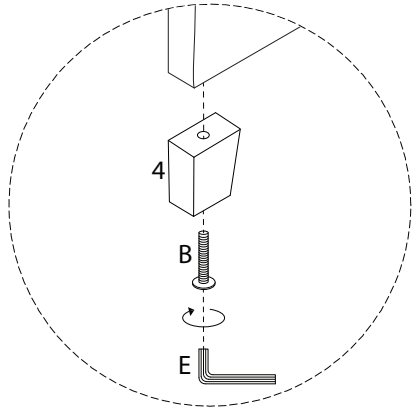
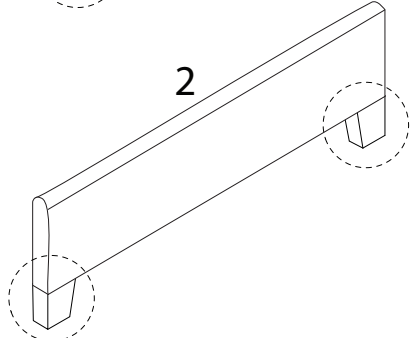
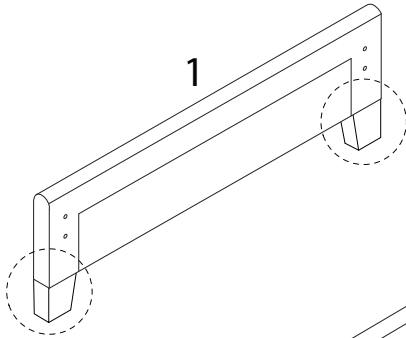
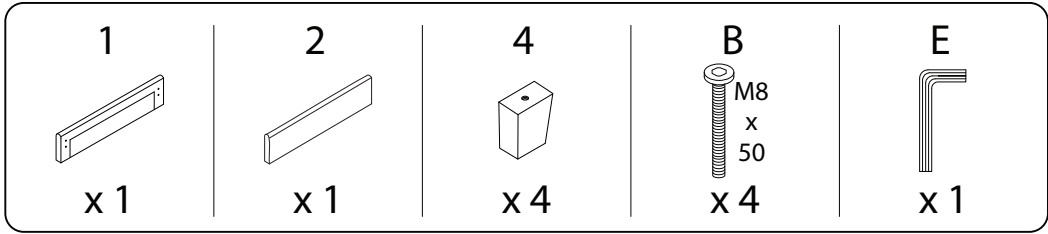
x 8

E

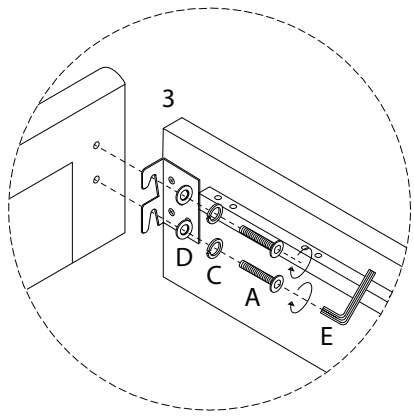
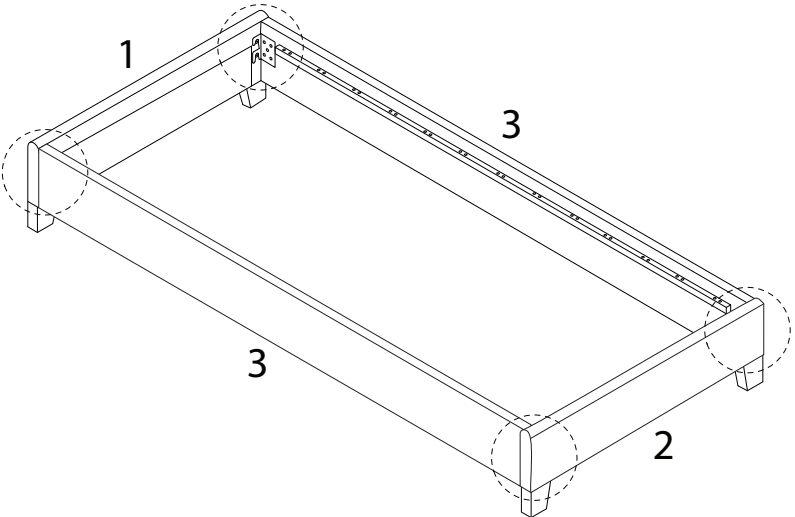
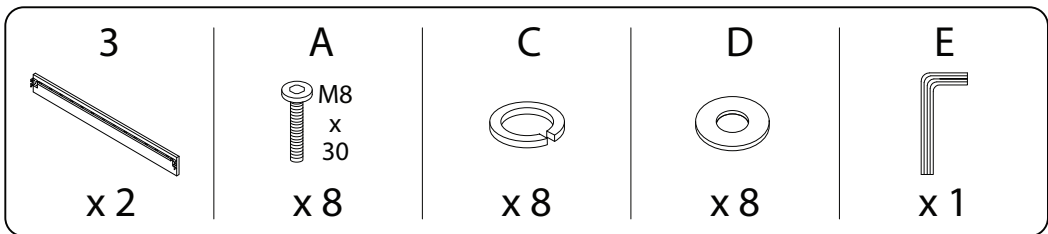


x 1

1



2



3 x 13

5

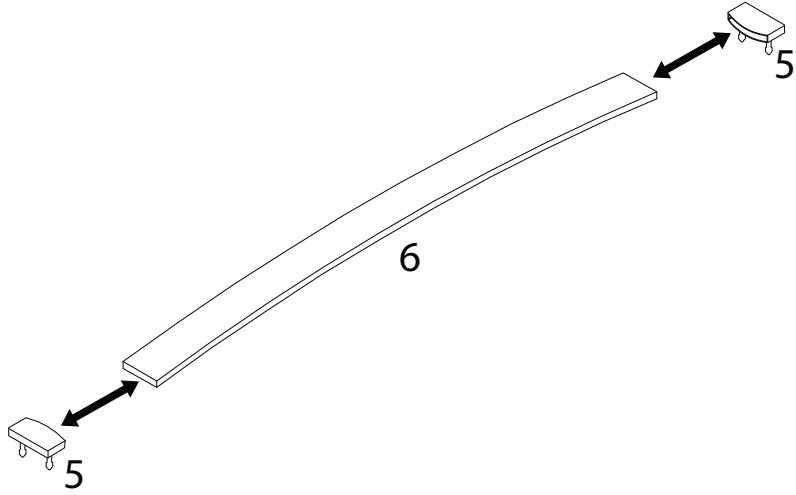


x 2

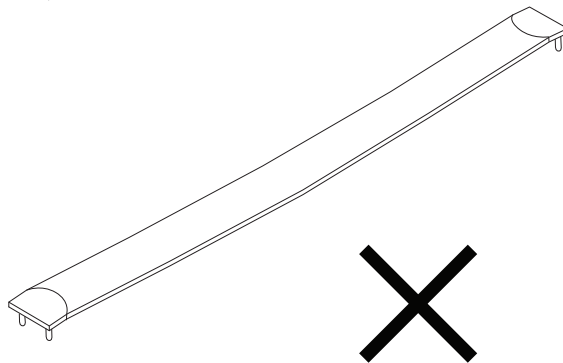
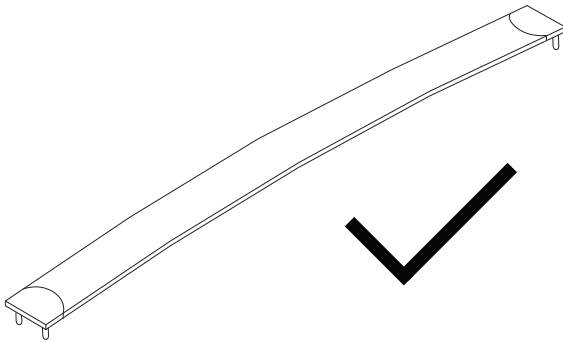
6



x 1



!



4

