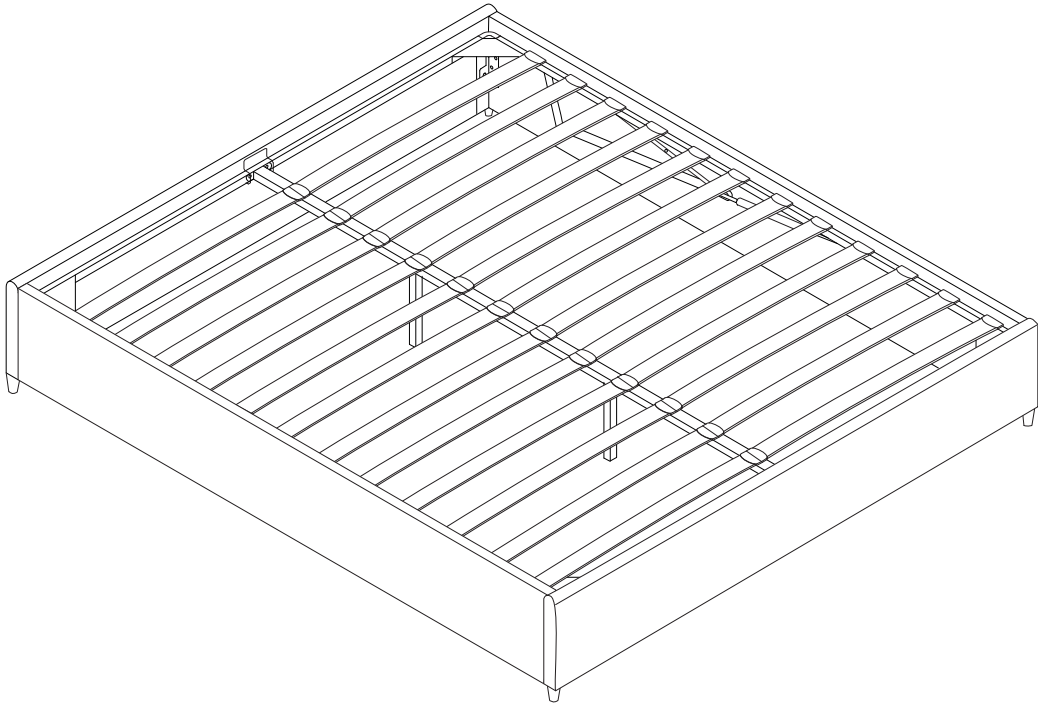
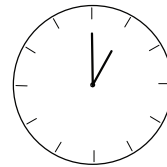
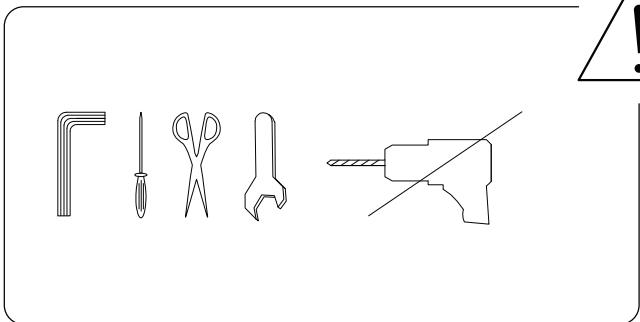
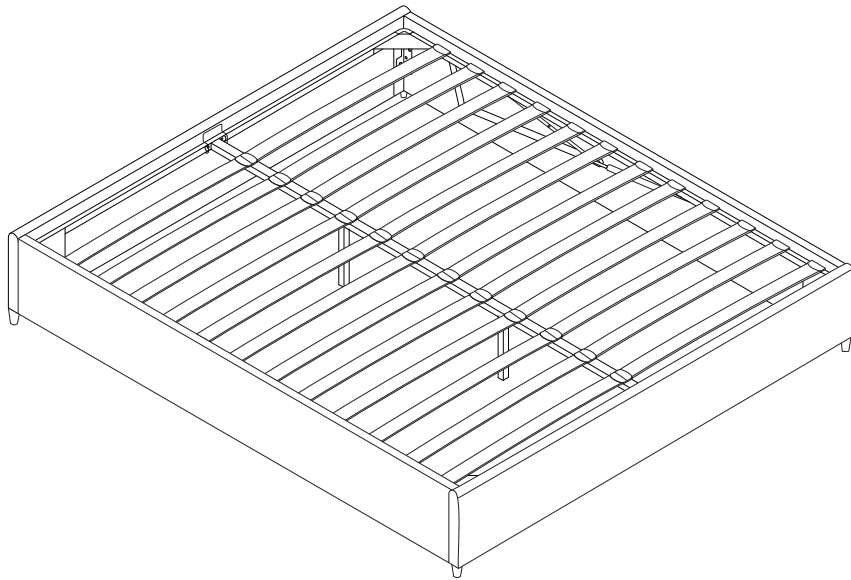
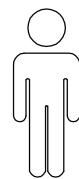
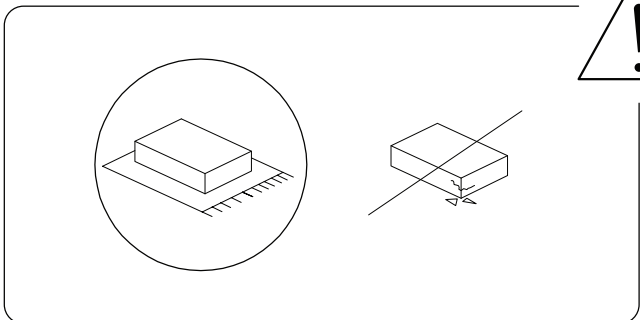


DINAN

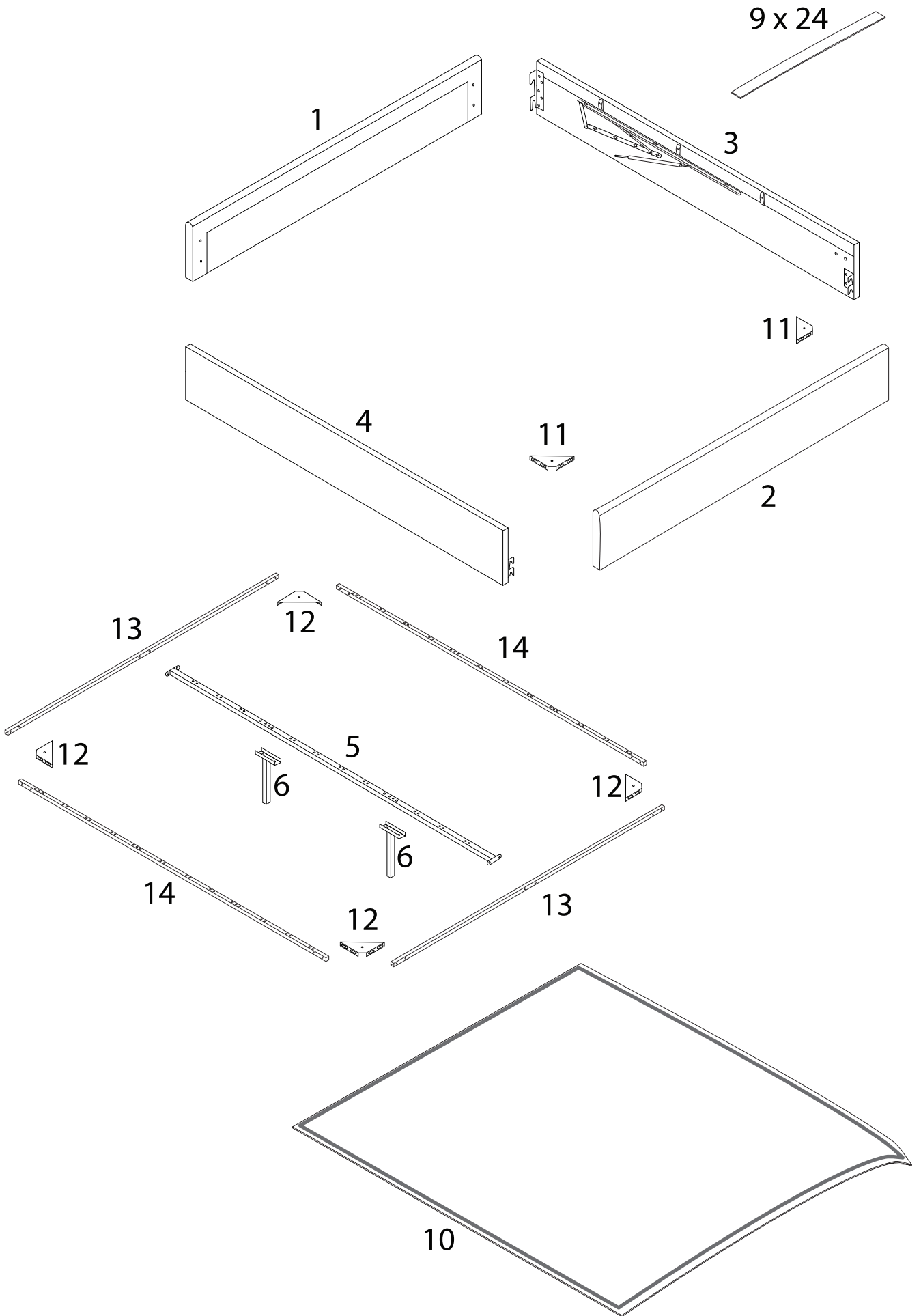




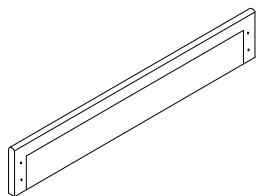
60'



2

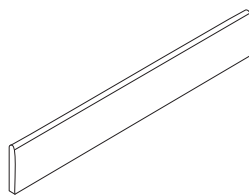


1



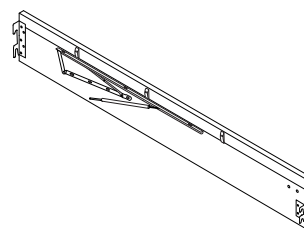
x 1

2



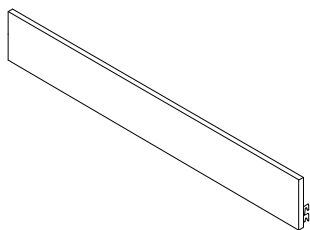
x 1

3



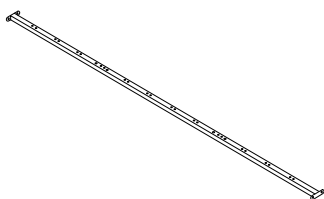
x 1

4



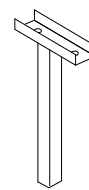
x 1

5



x 1

6



x 2

7



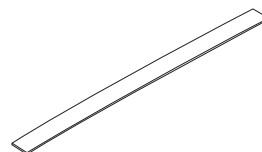
x 12

8



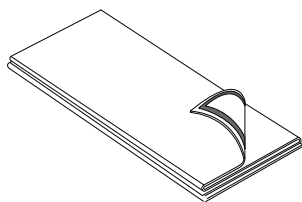
x 24

9



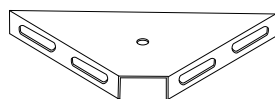
x 24

10



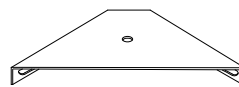
x 1

11



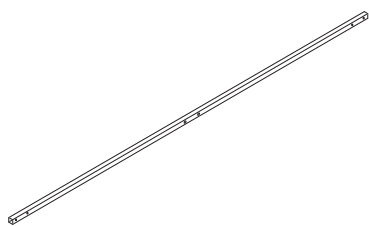
x 2

12



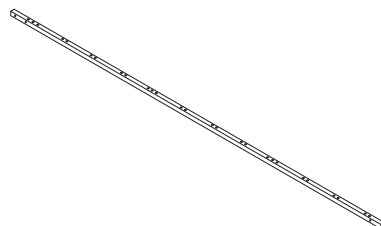
x 4

13



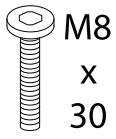
x 2

14



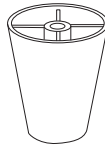
x 2

A



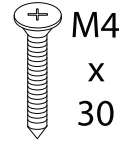
x 20

B



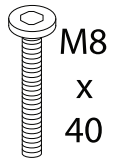
x 4

C



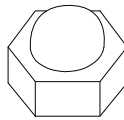
x 4

D



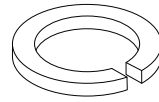
x 26

E



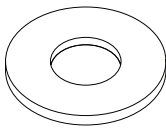
x 30

F



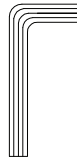
x 16

G



x 20

H



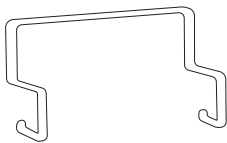
x 1

I



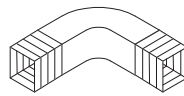
x 1

J



x 1

K



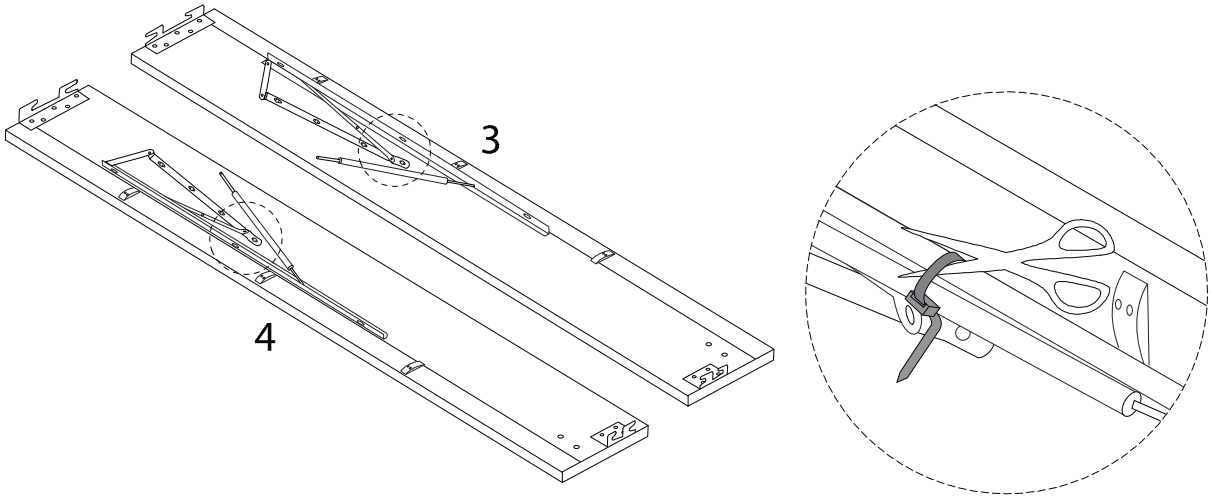
x 4

L



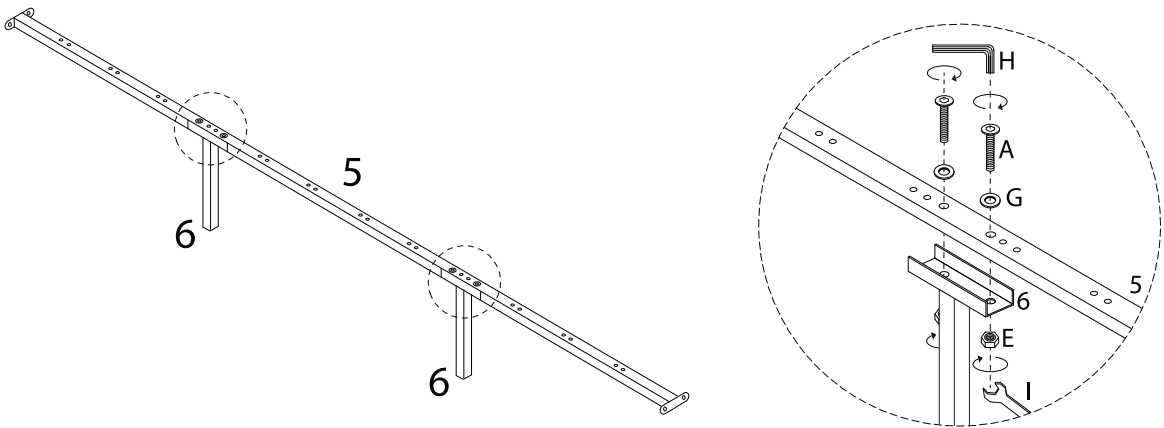
x 1

!

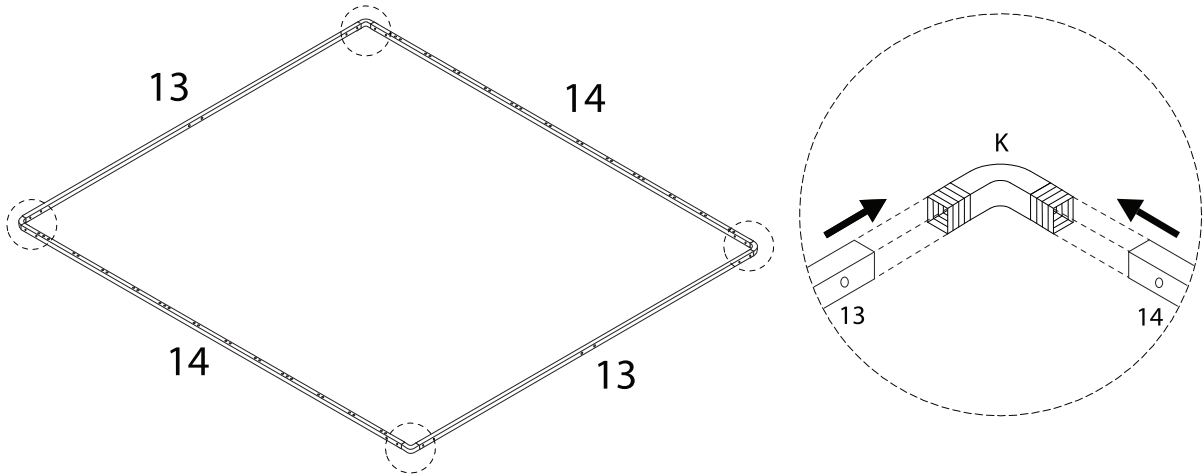
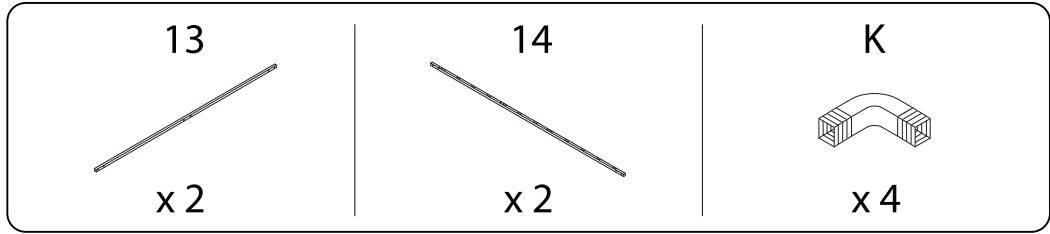


1

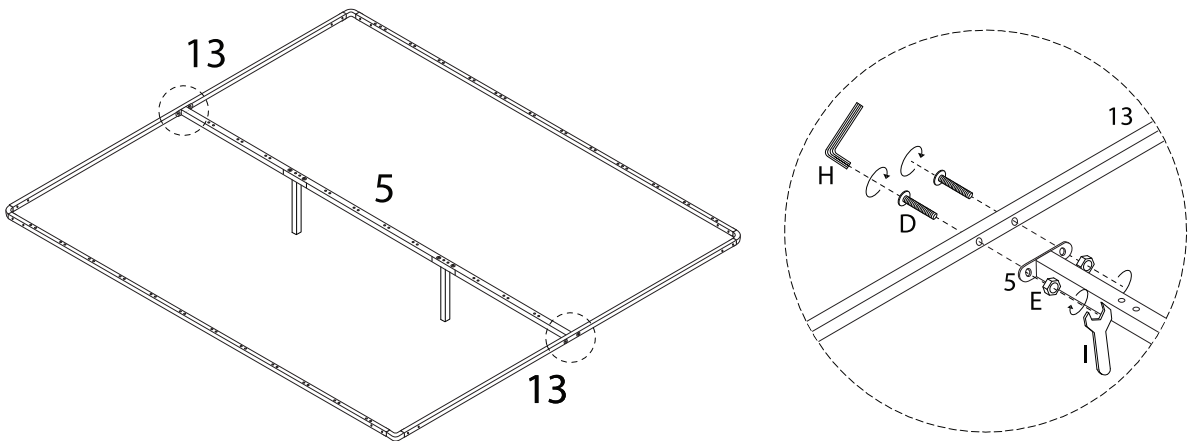
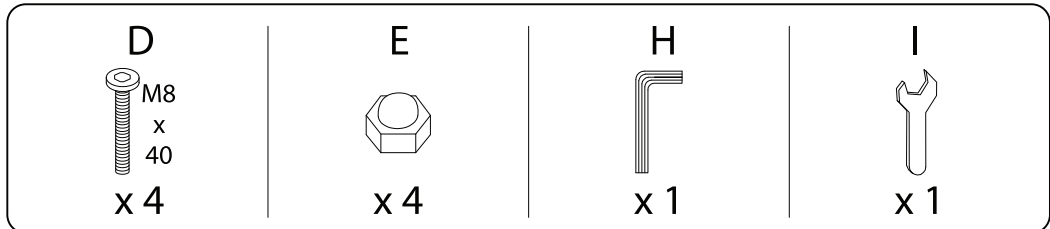
 x 1	 x 2	 x 4	 x 4	 x 4	 x 1	 x 1
---------	---------	---------	---------	---------	---------	---------



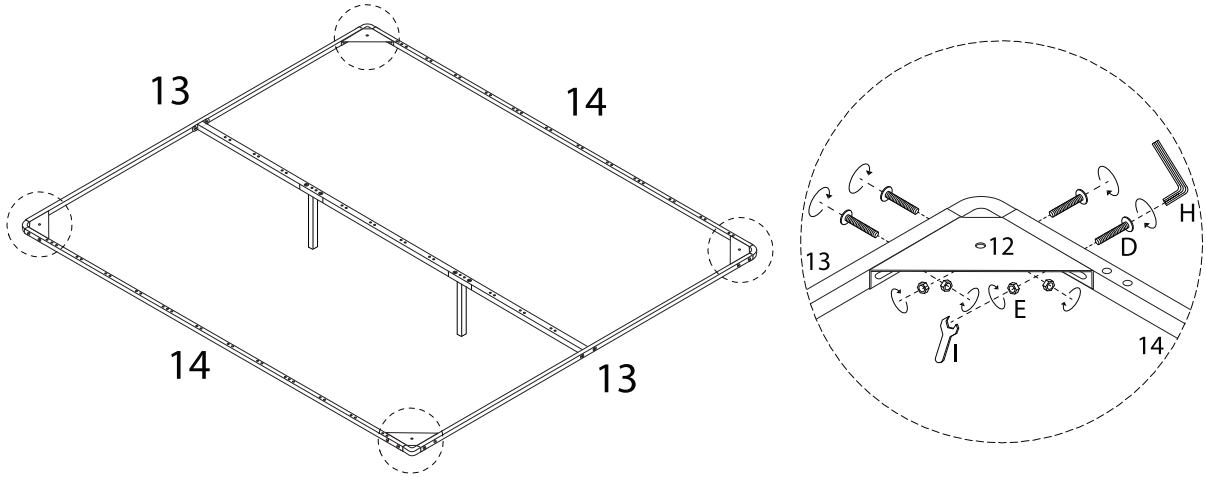
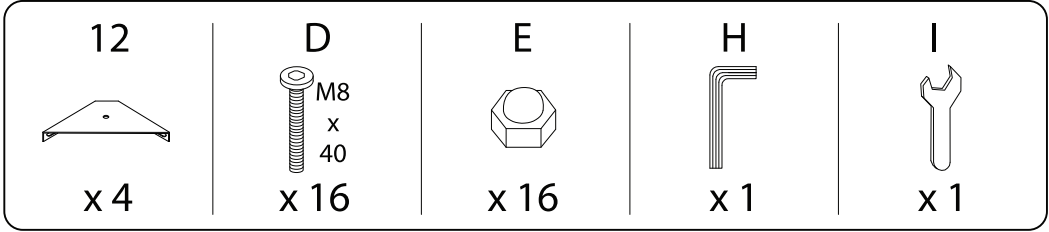
2



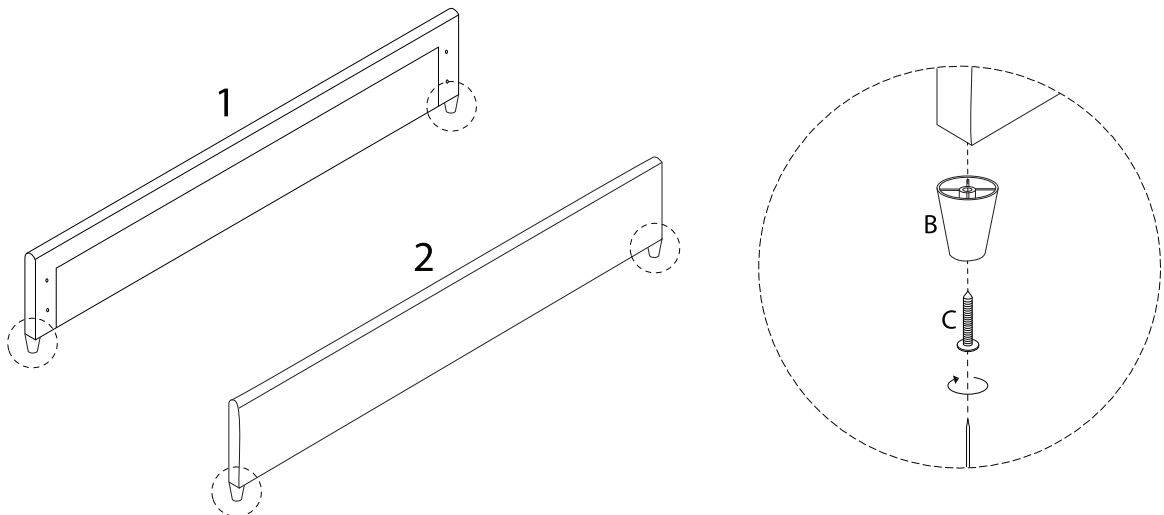
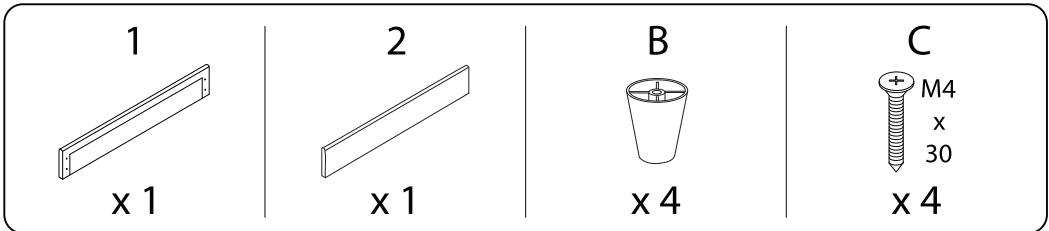
3



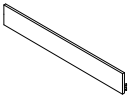
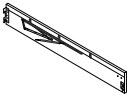

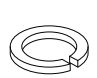
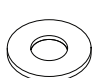
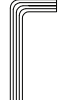
4

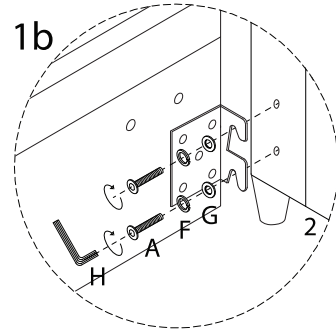
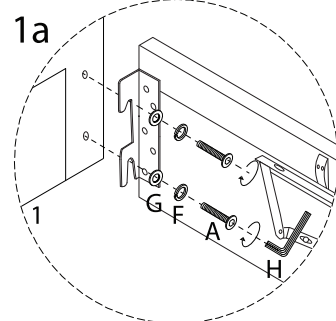
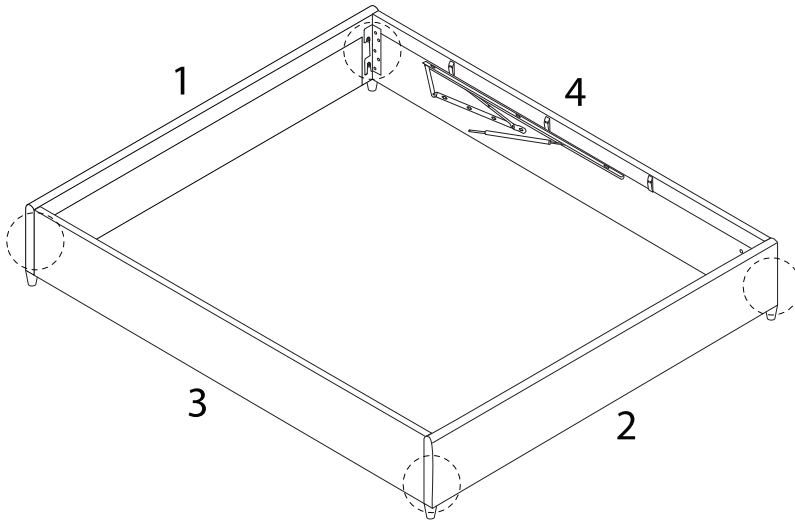


5


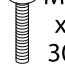


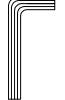


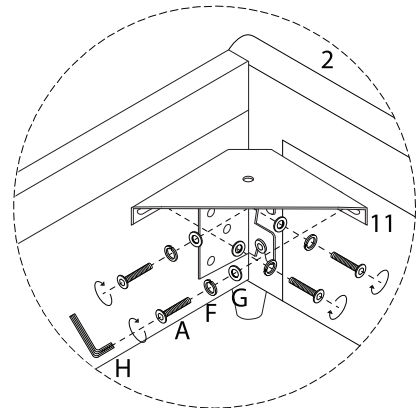
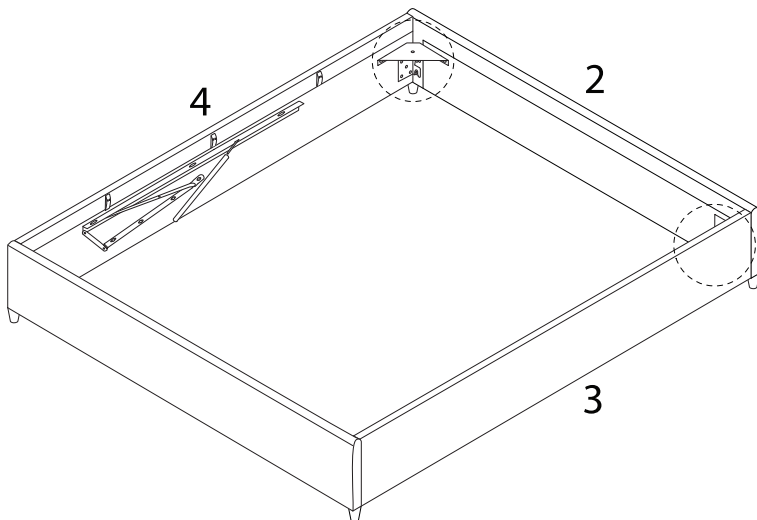
6

 3 x 1	 4 x 1	 A M8 x 30 x 8	 F x 8	 G x 8	 H x 1
---	---	--	--	---	---

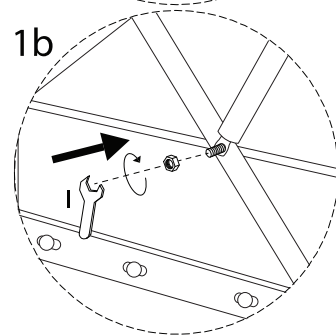
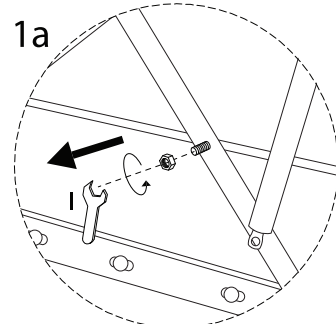
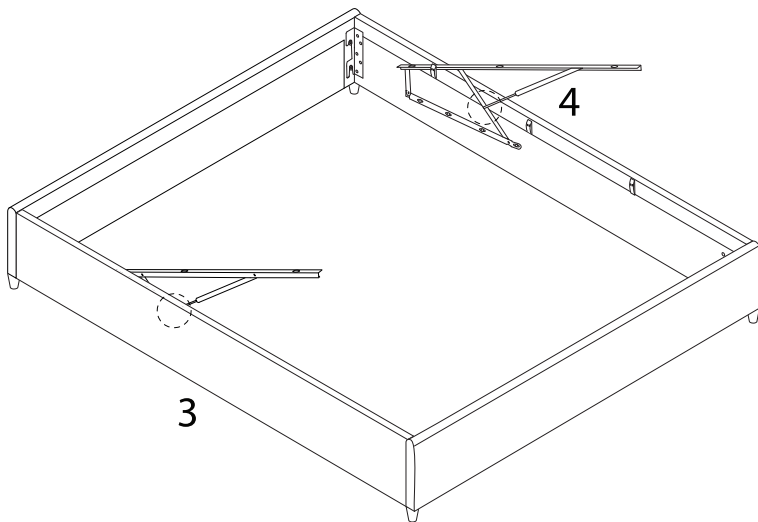


7

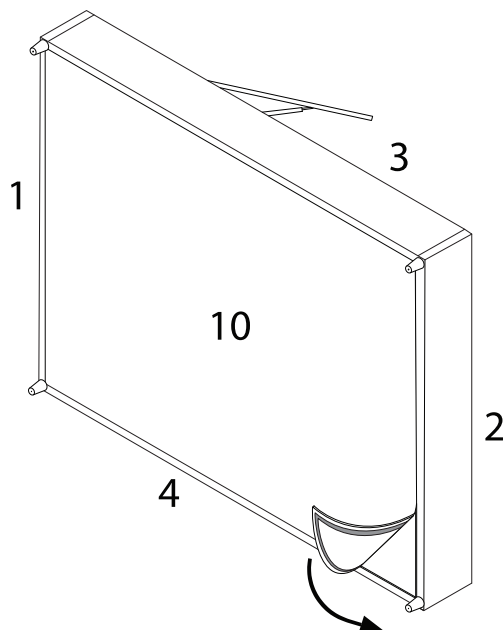
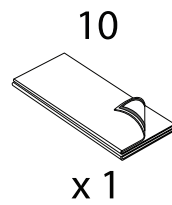
 11 x 2	 A M8 x 30 x 8	 F x 8	 G x 8	 H x 1
--	--	---	---	---



8



9



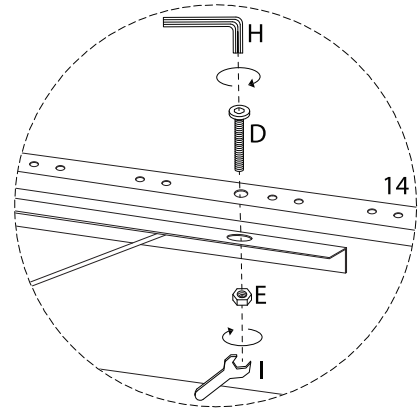
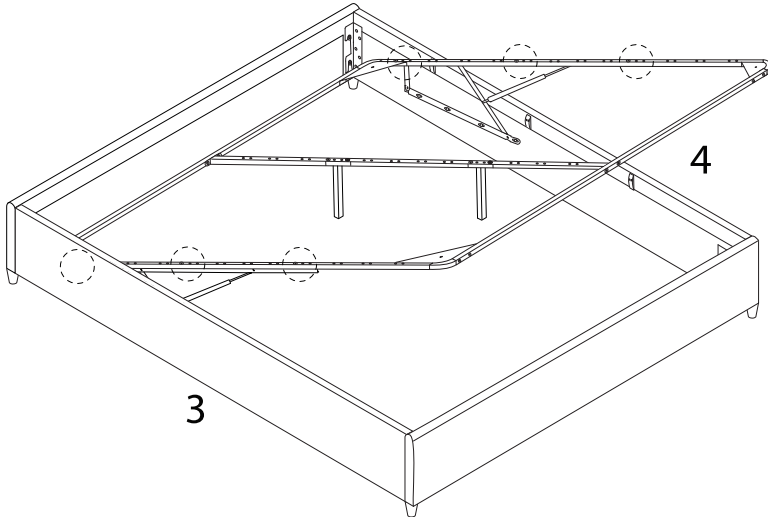
10

D
M8
x
40
x 6

E
x 6

H
x 1

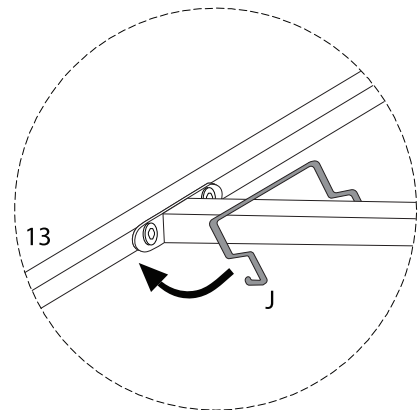
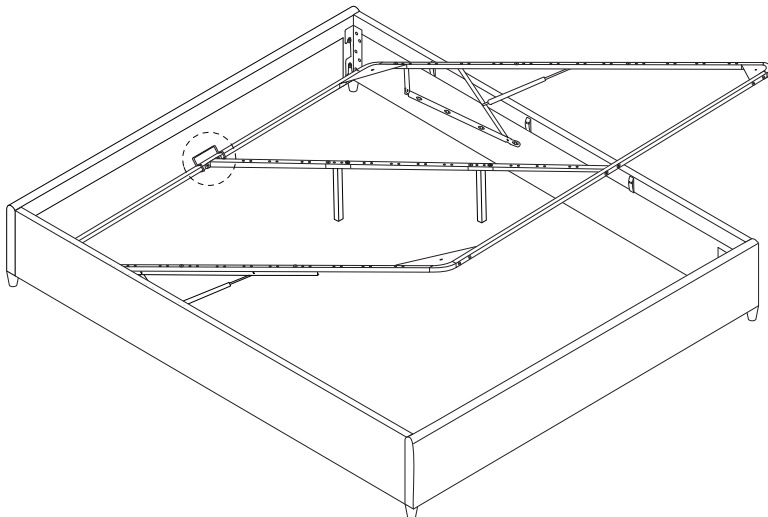
I
x 1



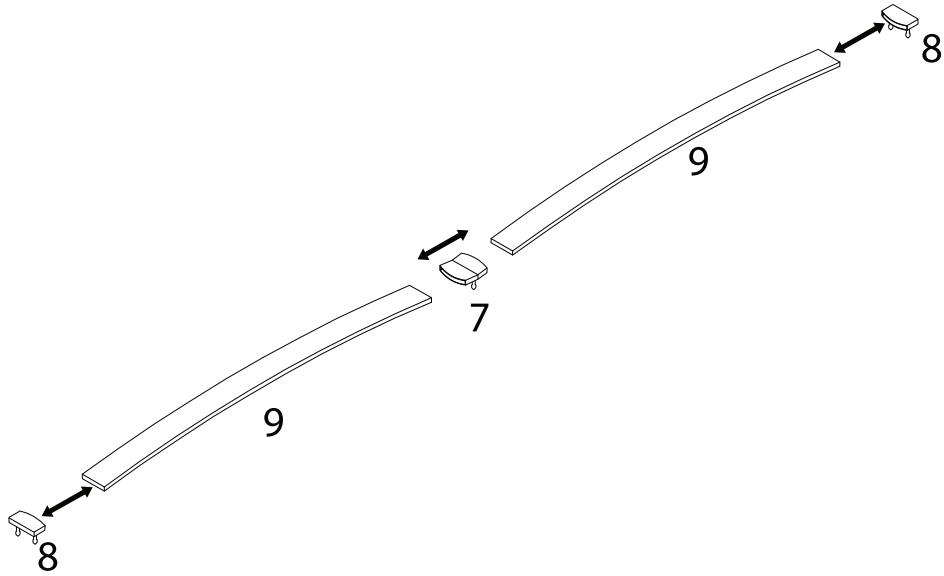
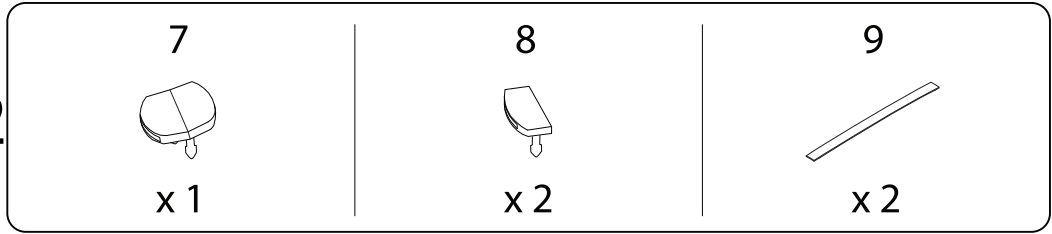
11

J

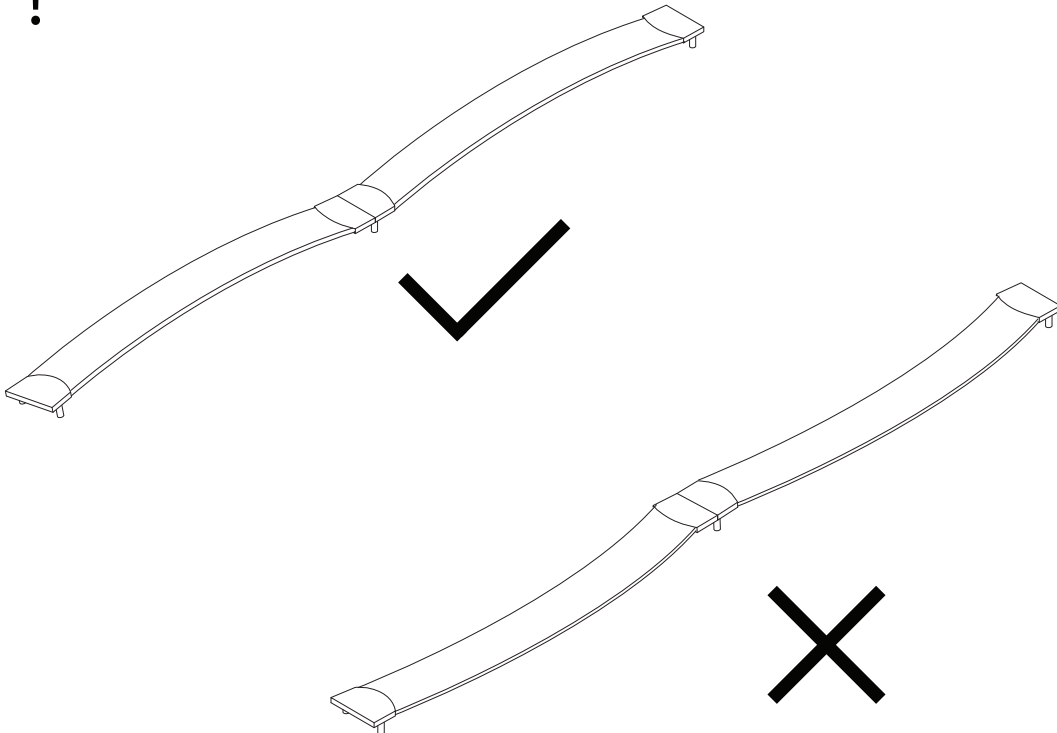
x 1



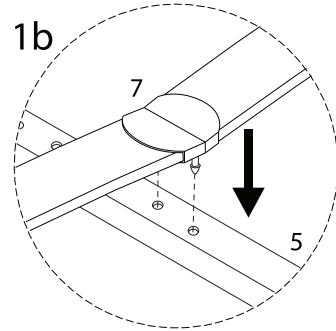
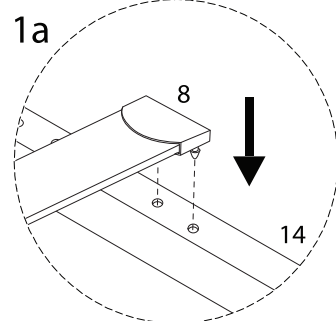
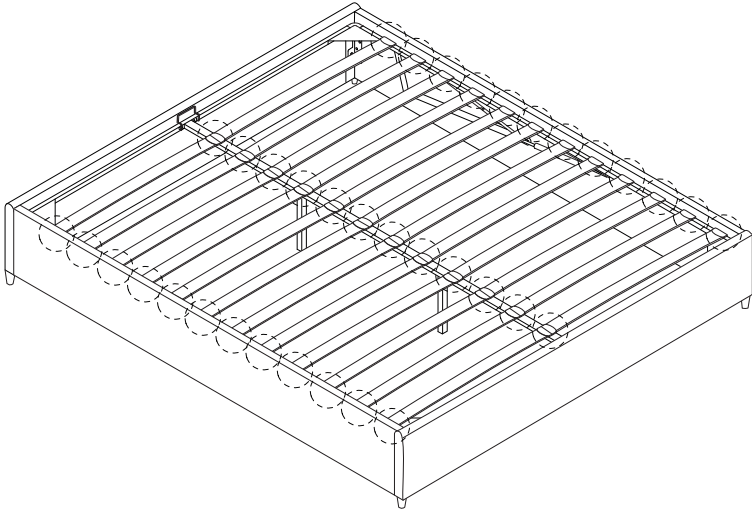
12 x 12



!



13



14

