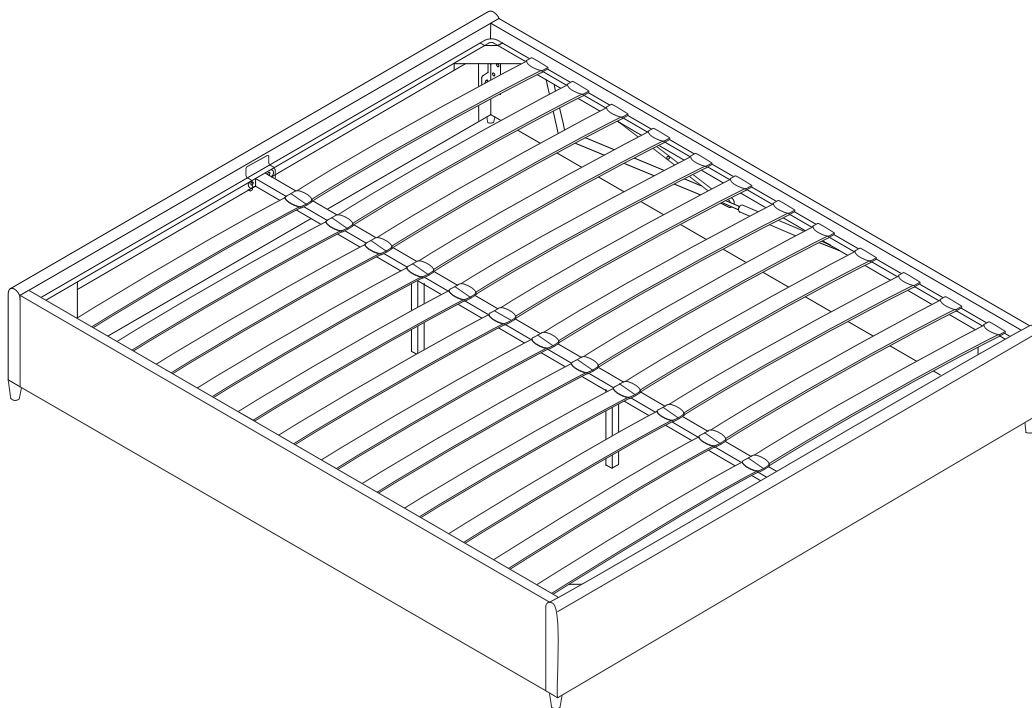
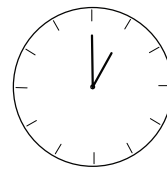
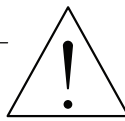
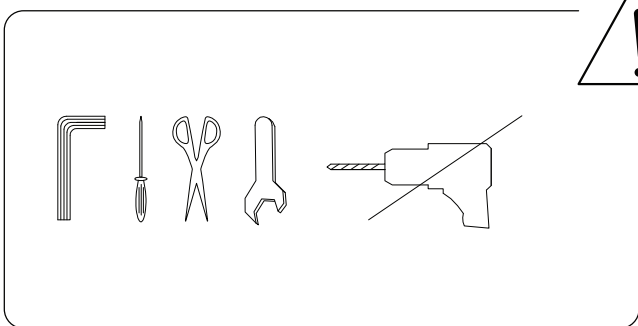
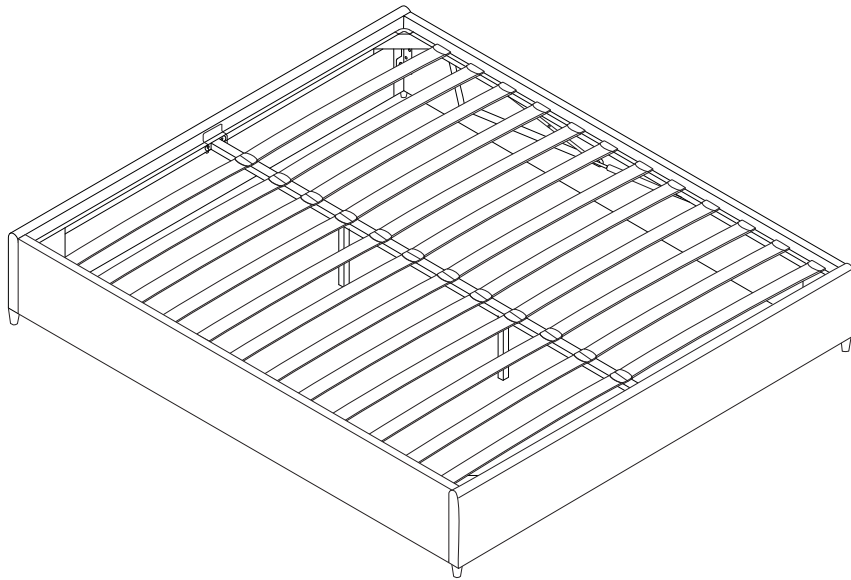
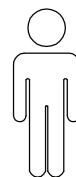
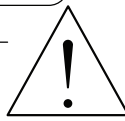
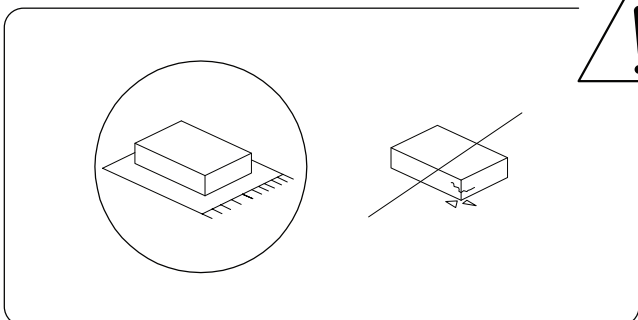


DINAN

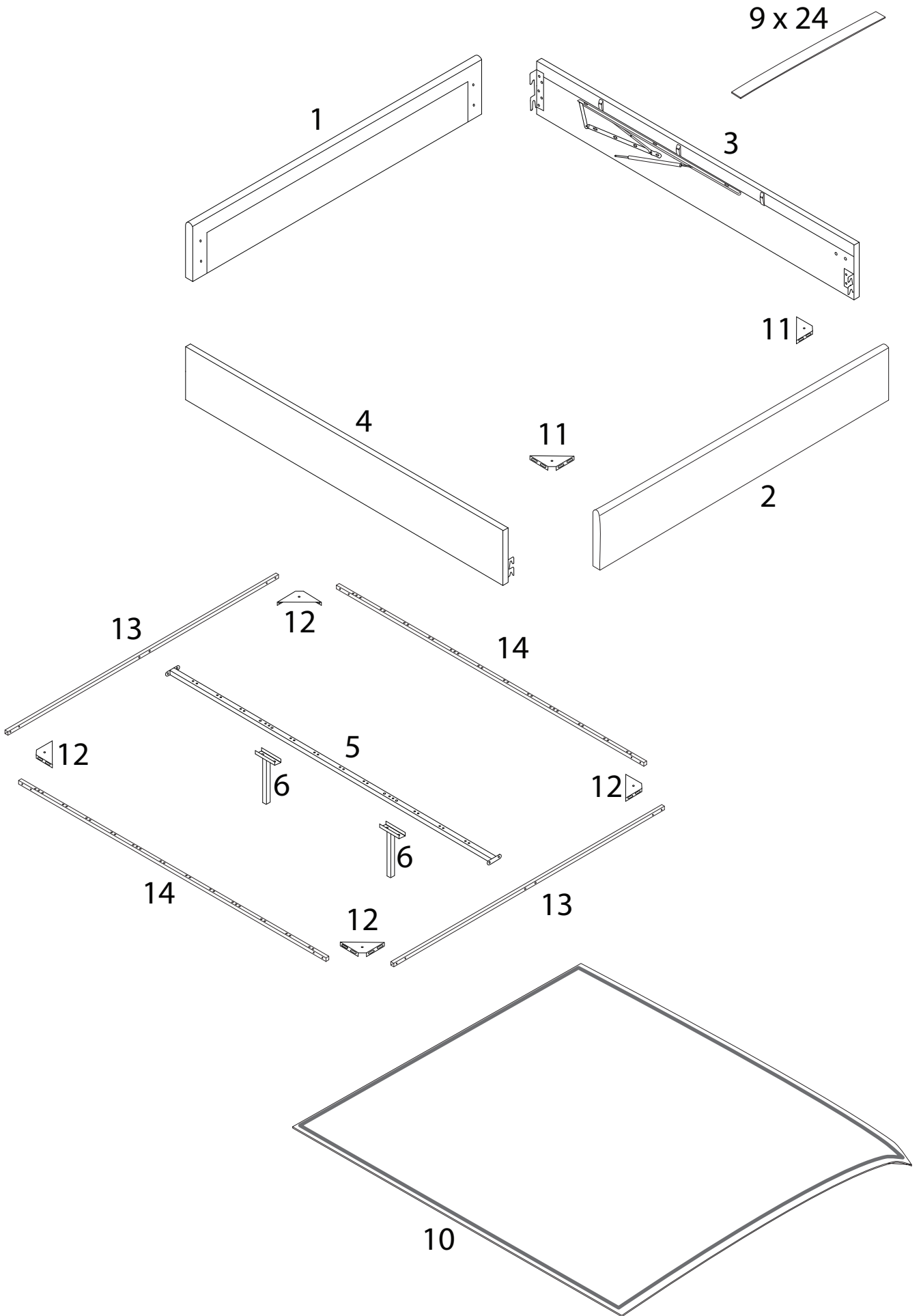




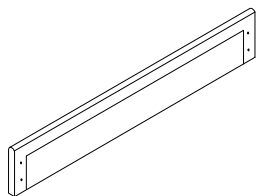
60'



2

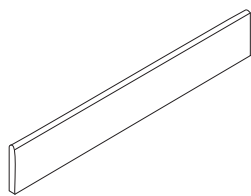


1



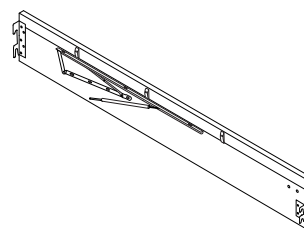
x 1

2



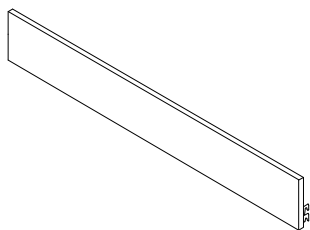
x 1

3



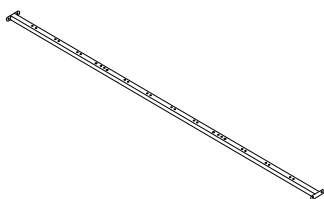
x 1

4



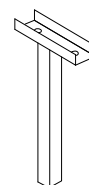
x 1

5



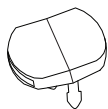
x 1

6



x 2

7



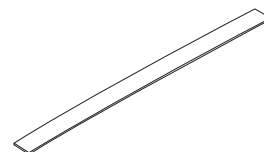
x 12

8



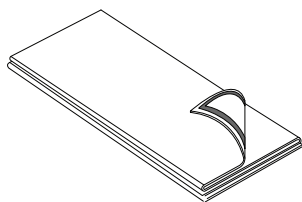
x 24

9



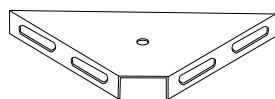
x 24

10



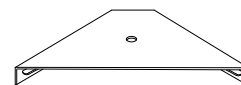
x 1

11



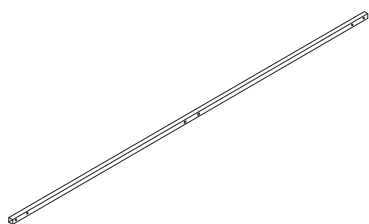
x 2

12



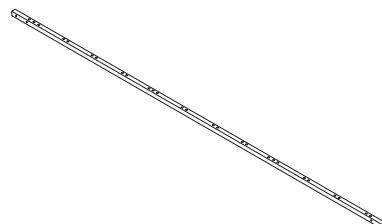
x 4

13



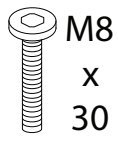
x 2

14



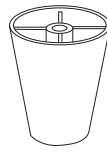
x 2

A



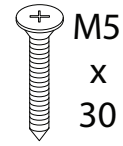
x 20

B



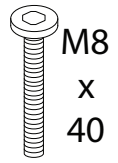
x 4

C



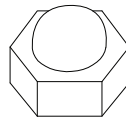
x 4

D



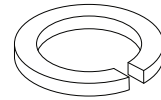
x 26

E



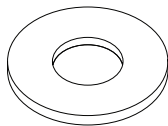
x 30

F



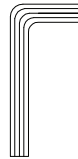
x 16

G



x 20

H



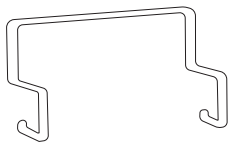
x 1

I



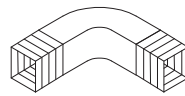
x 1

J



x 1

K



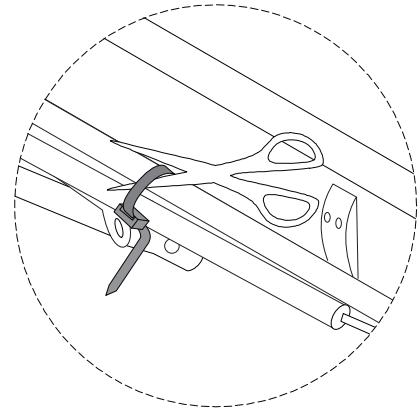
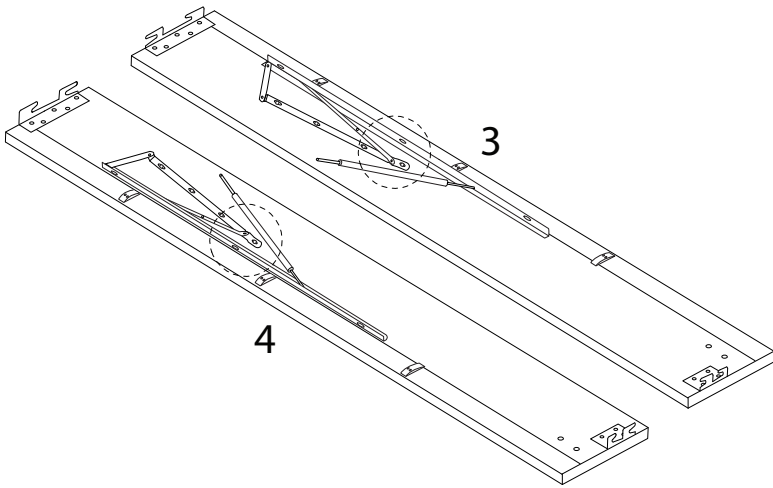
x 4

L


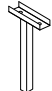
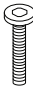
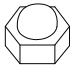

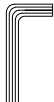



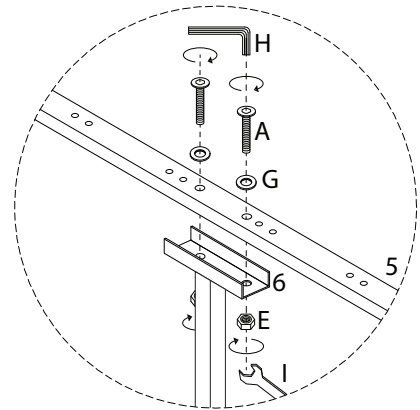
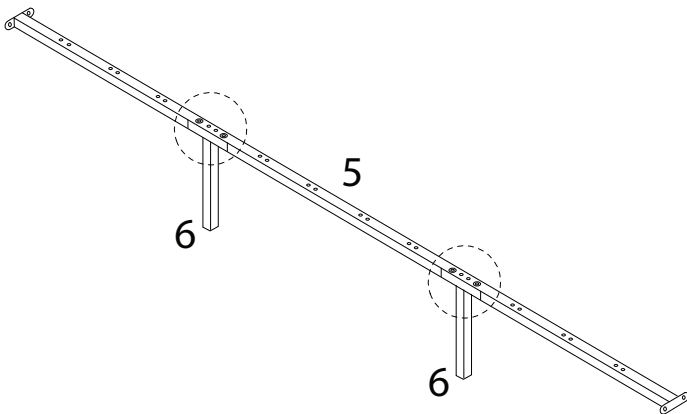
x 1

!

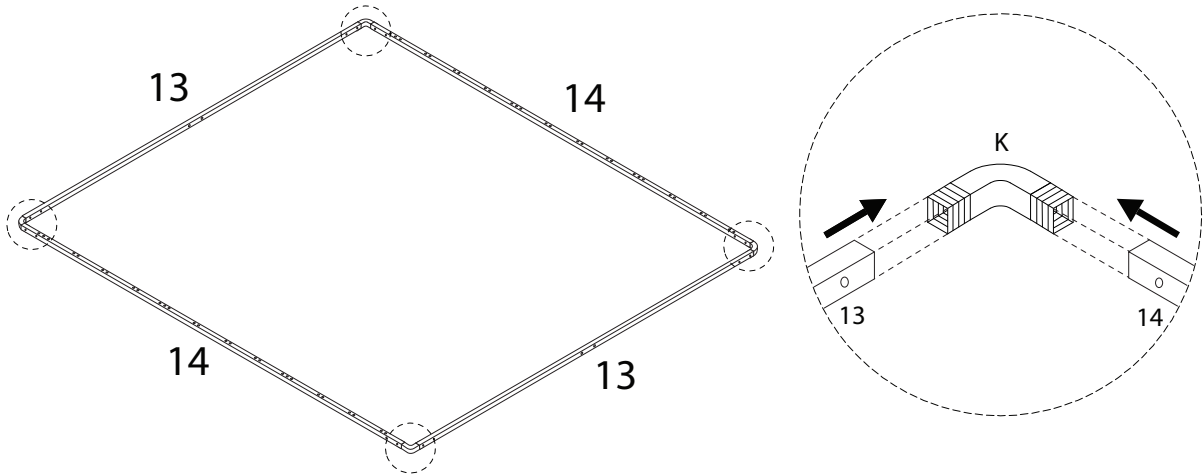
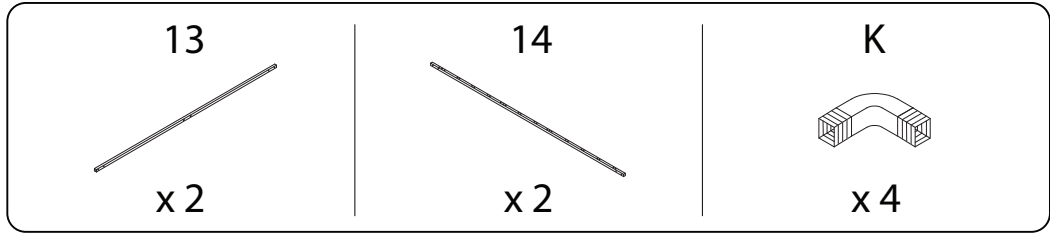


1

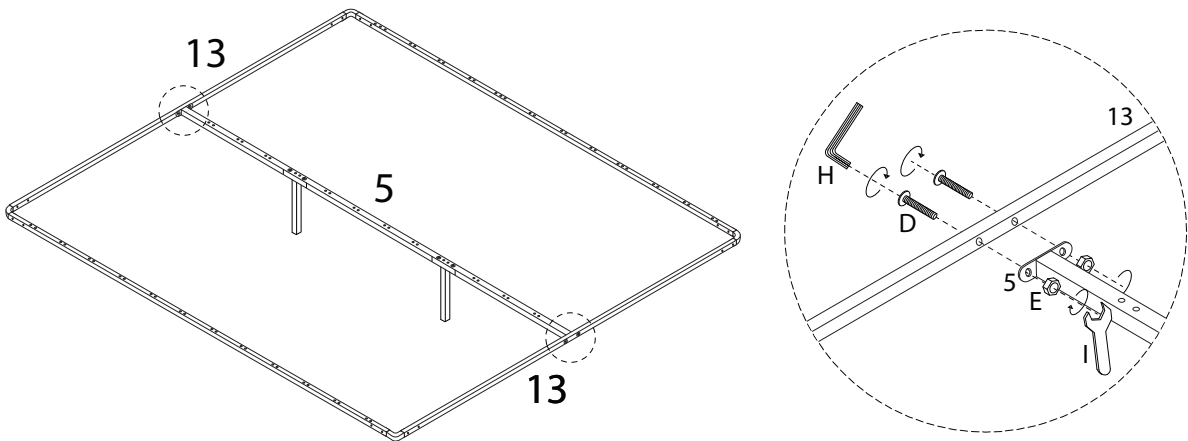
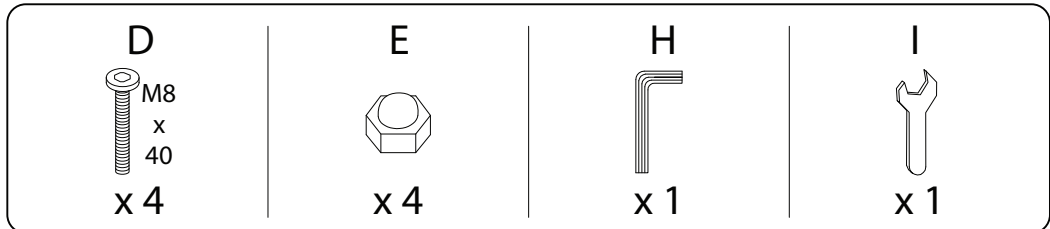
5  x 1	6  x 2	A  M8 x 30 x 4	E  x 4	G  x 4	H  x 1	I  x 1
--	--	---	--	--	--	--



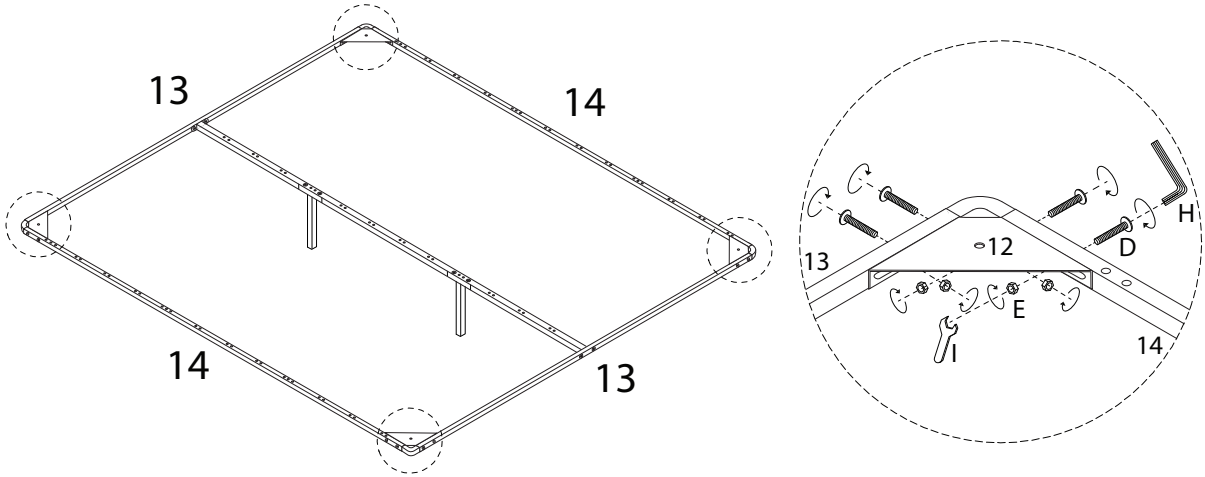
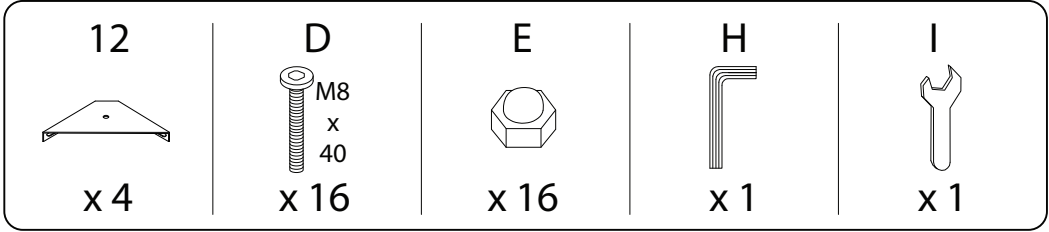
2



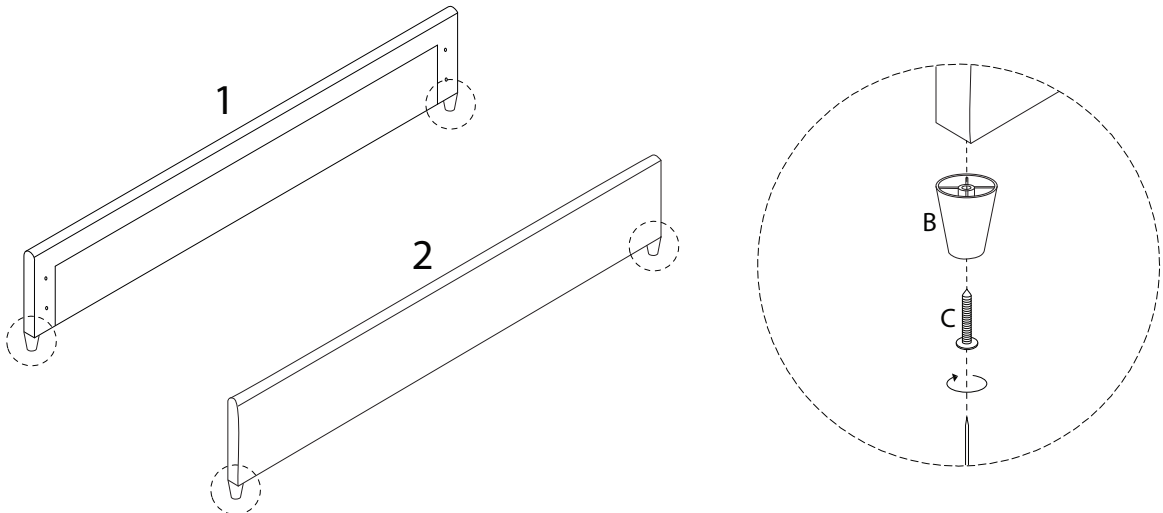
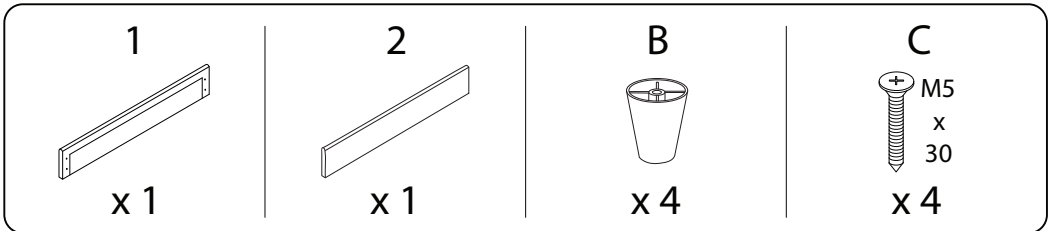
3



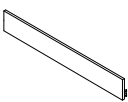
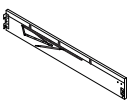



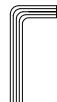
4

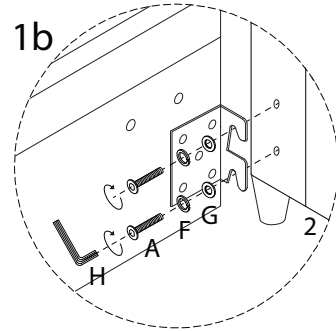
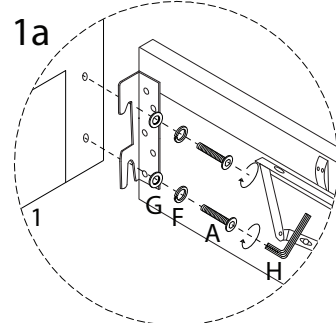
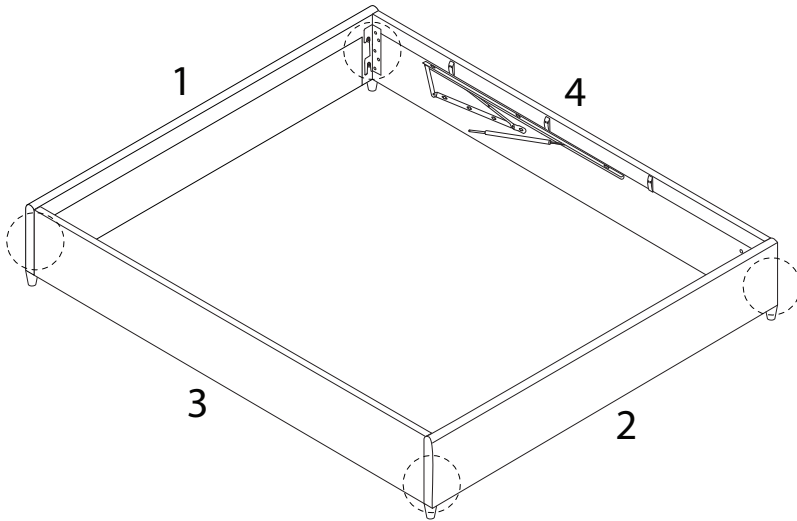


5



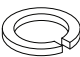

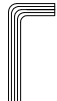


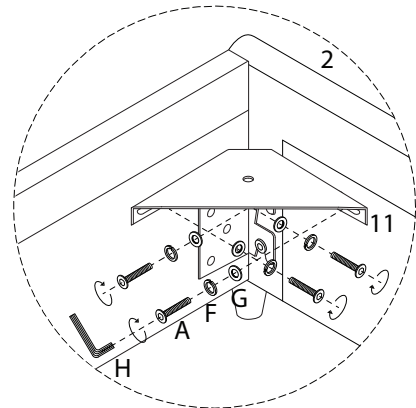
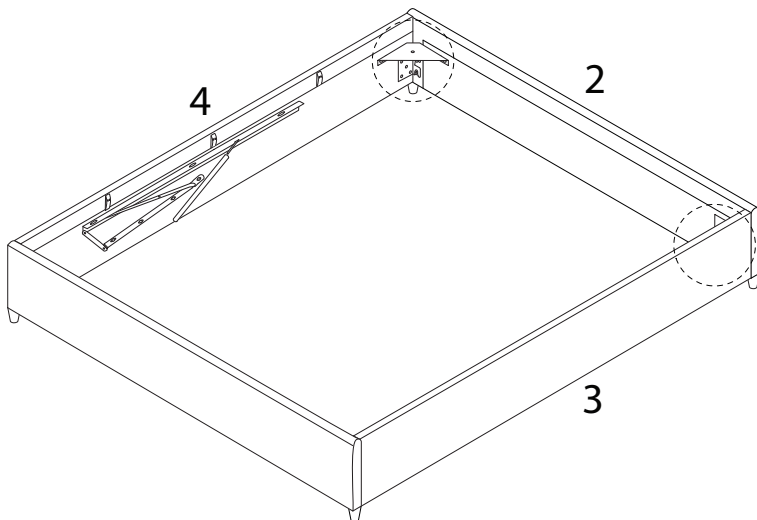
6

<p>3</p>  <p>x 1</p>	<p>4</p>  <p>x 1</p>	<p>A</p>  <p>M8 x 30</p> <p>x 8</p>	<p>F</p>  <p>x 8</p>	<p>G</p>  <p>x 8</p>	<p>H</p>  <p>x 1</p>
---	---	--	--	---	---

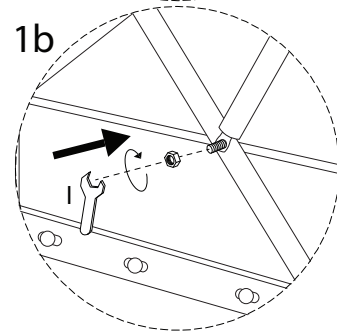
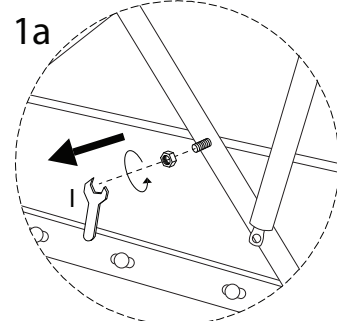
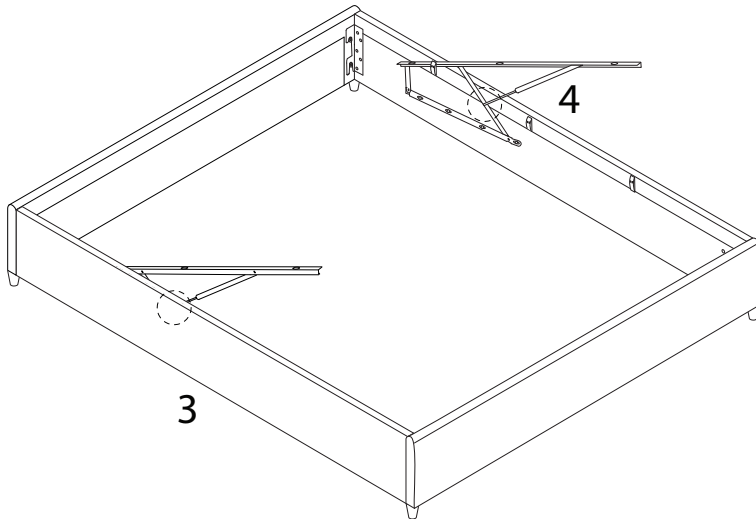


7

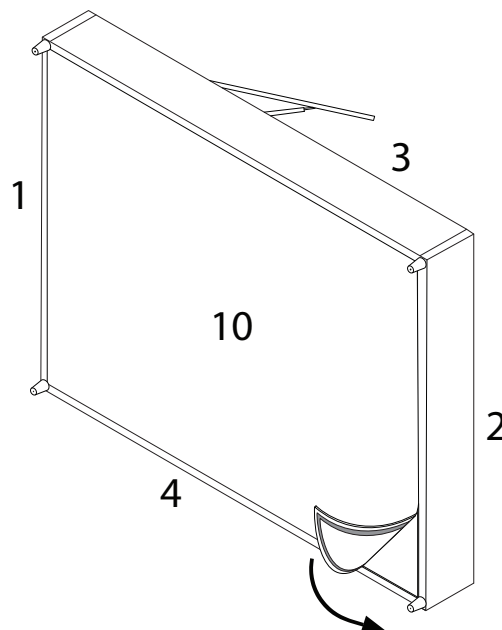
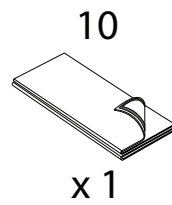
<p>11</p>  <p>x 2</p>	<p>A</p>  <p>M8 x 30</p> <p>x 8</p>	<p>F</p>  <p>x 8</p>	<p>G</p>  <p>x 8</p>	<p>H</p>  <p>x 1</p>
--	--	---	---	---



8



9



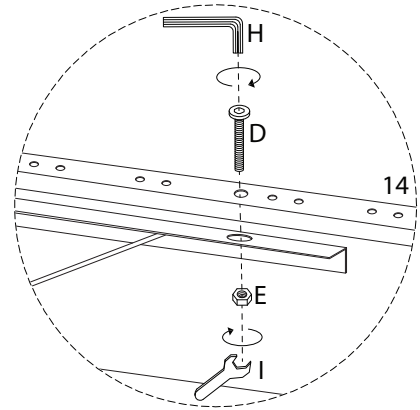
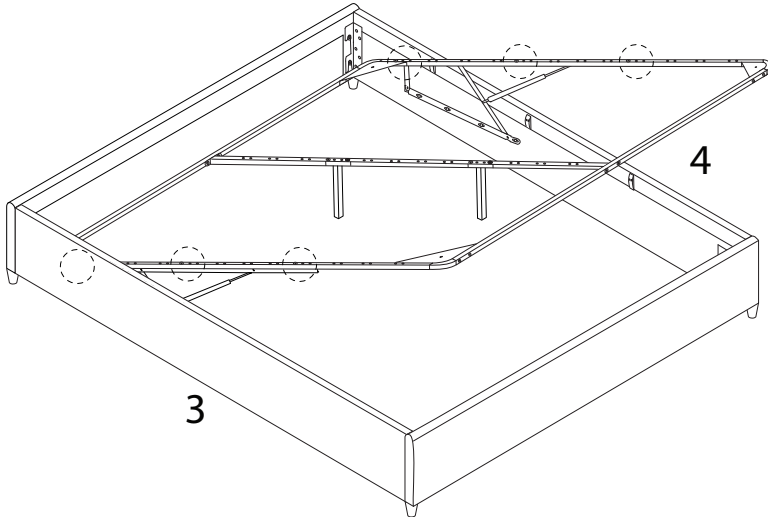
10

D
M8
x
40
x 6

E
x 6

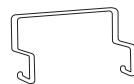
H
x 1

I
x 1

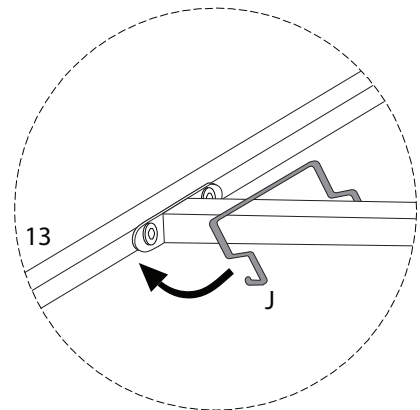
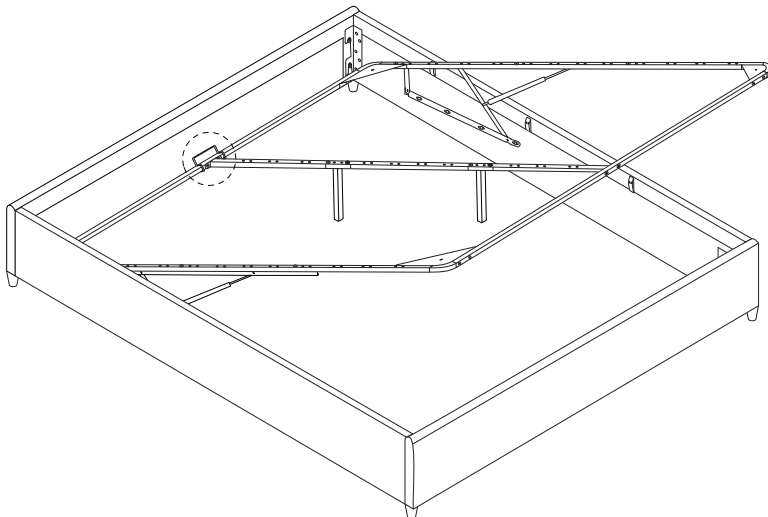


11

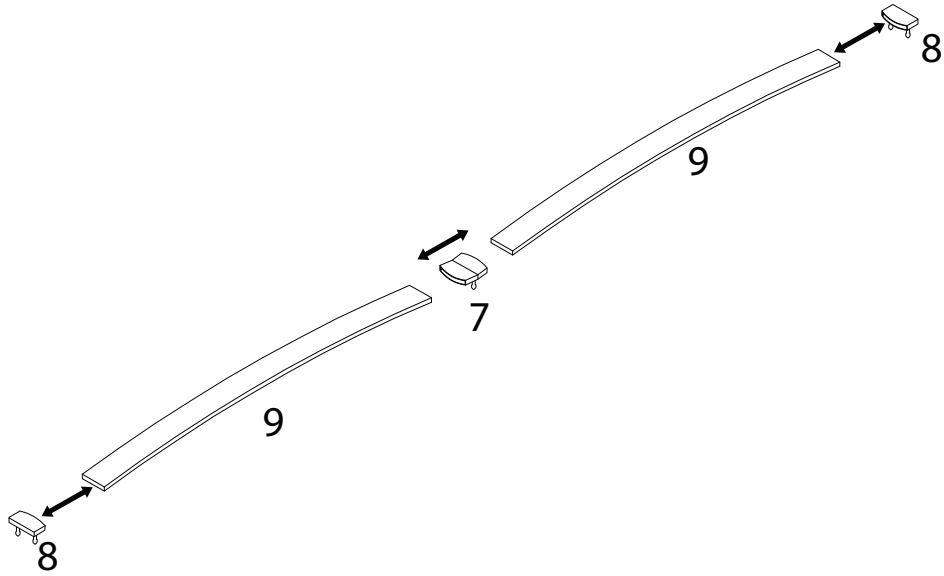
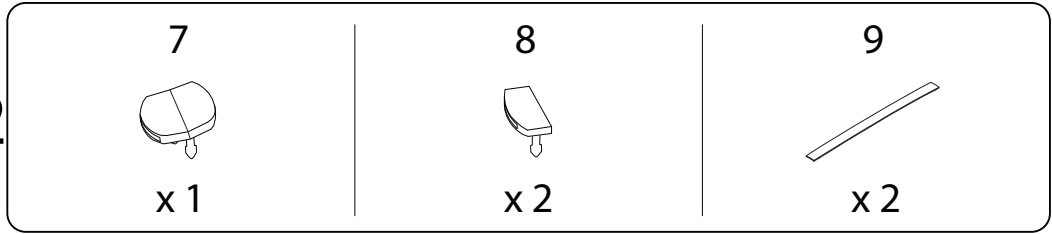
J



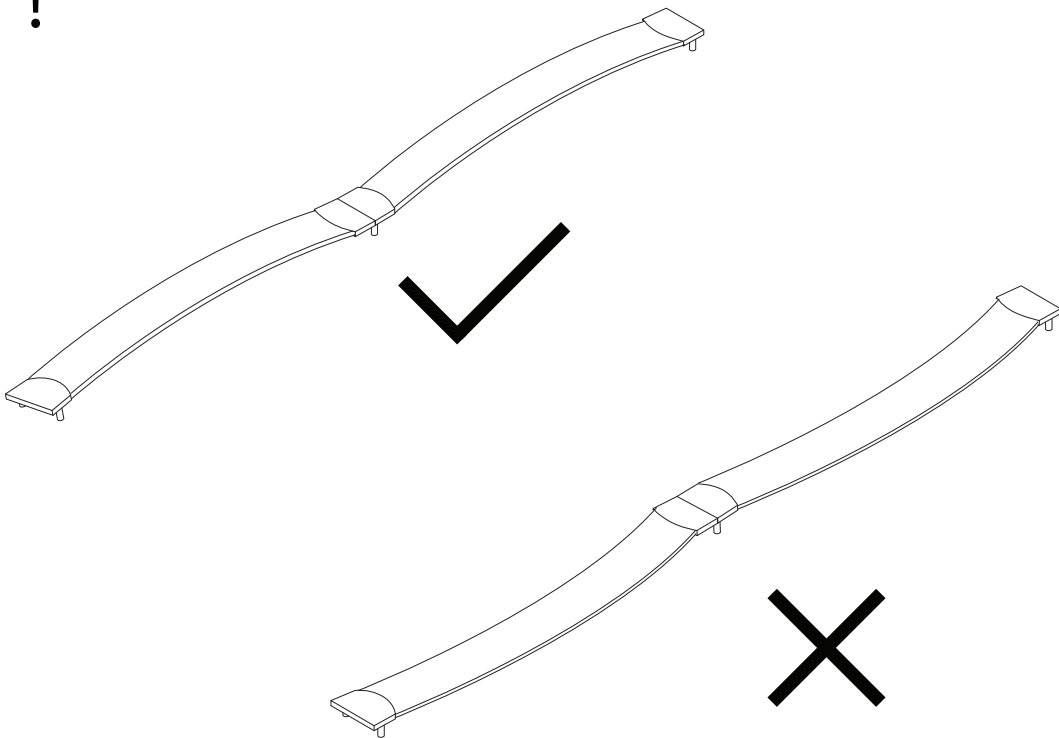
x 1



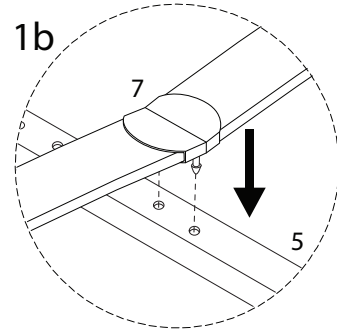
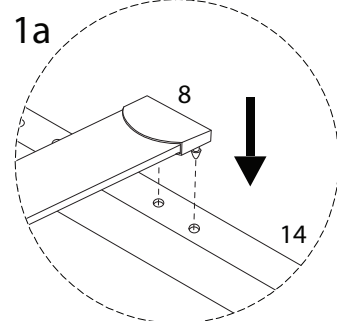
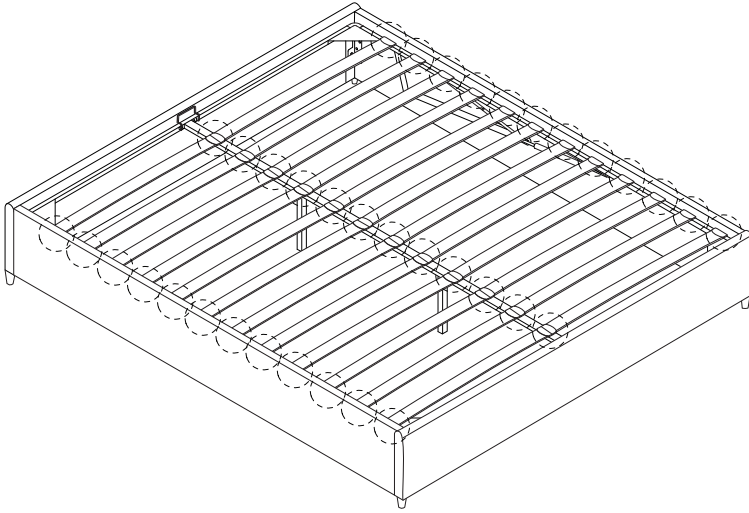
12 x 12



!



13



14

