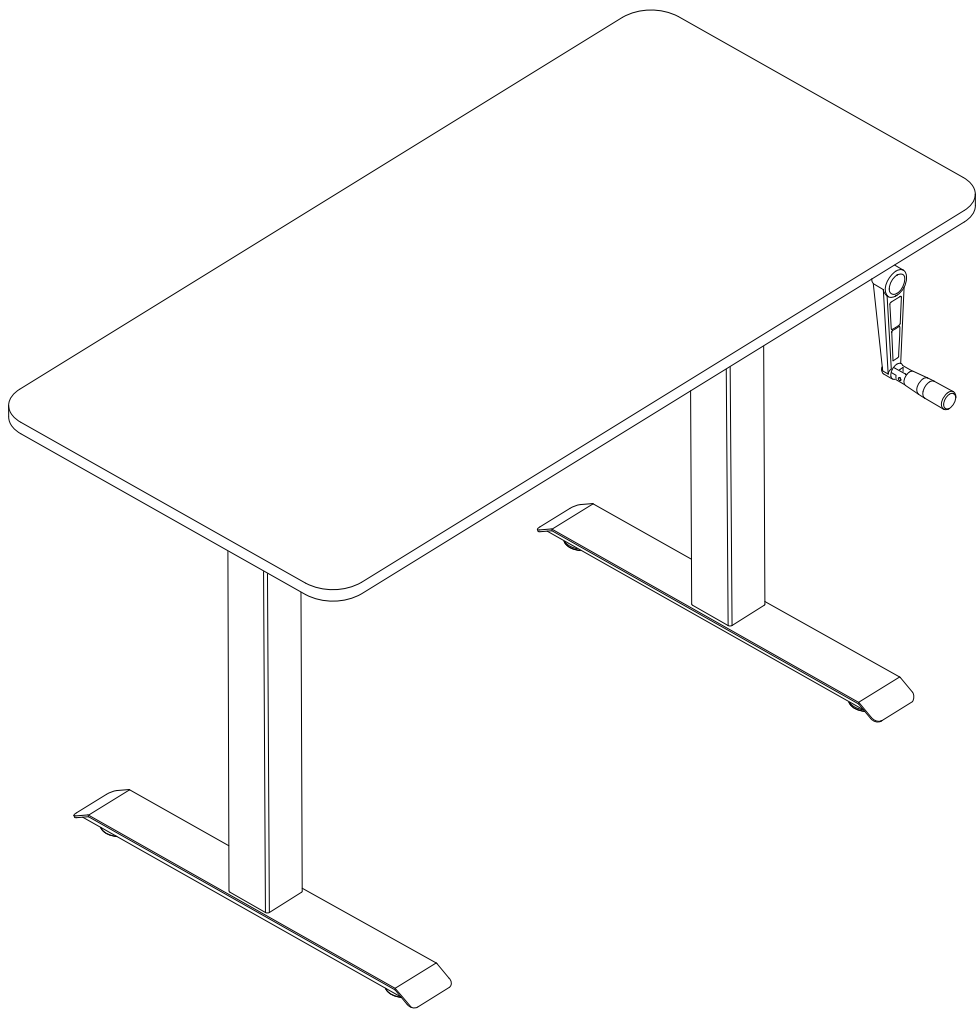


# DESTIN



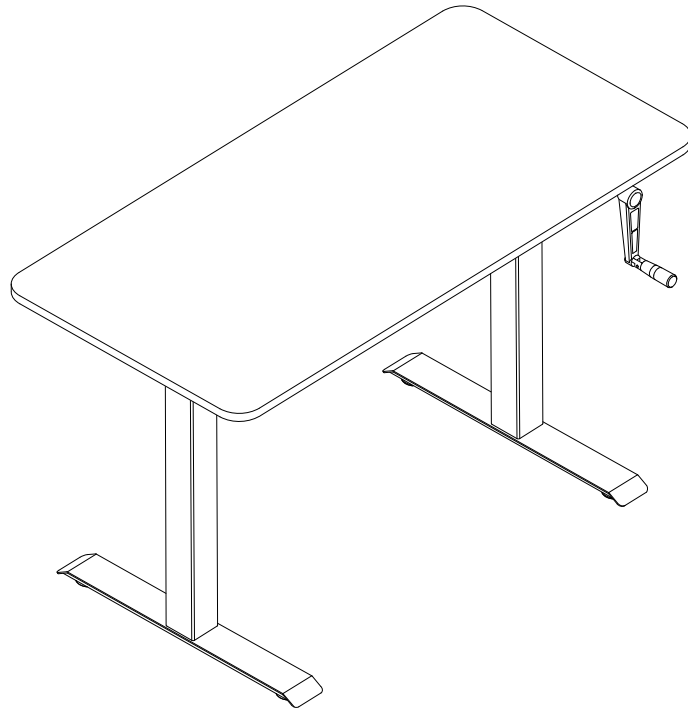
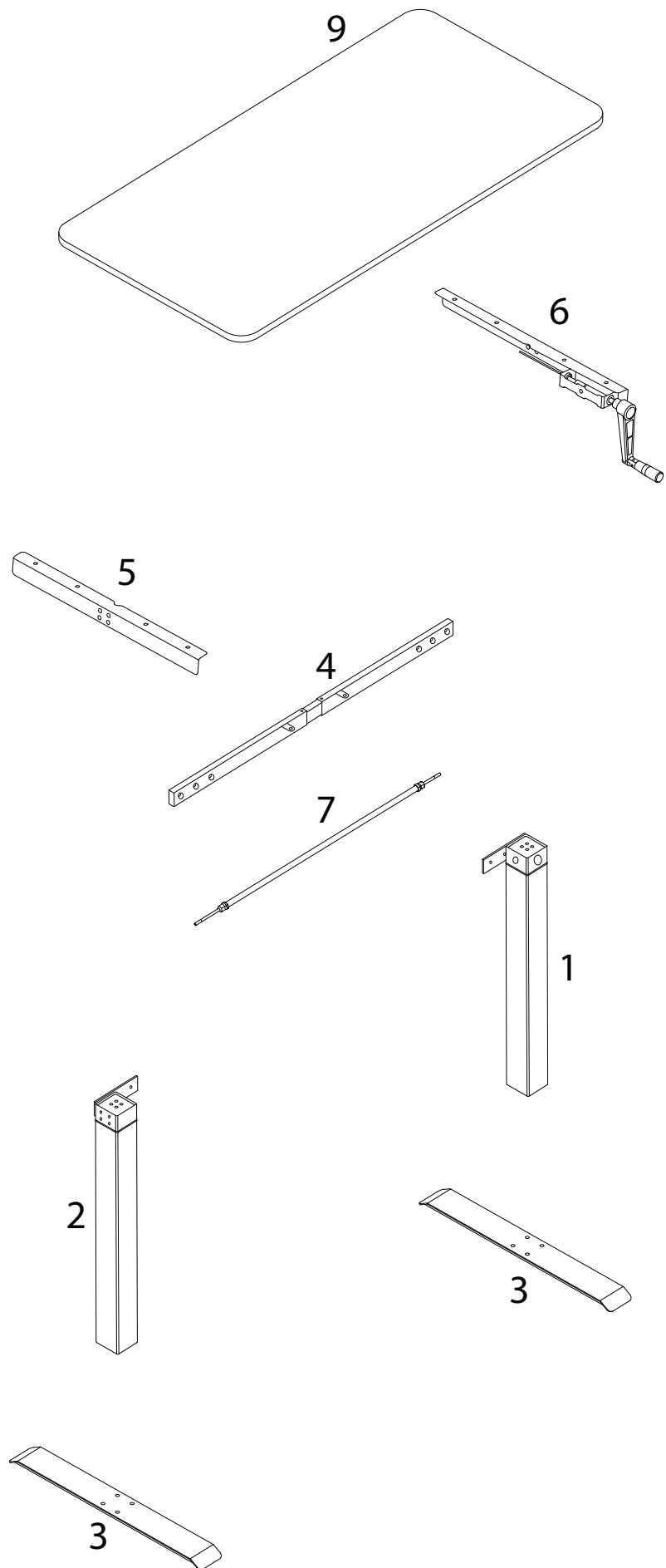
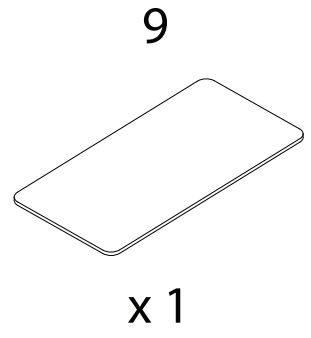
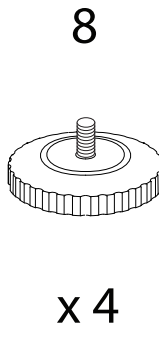
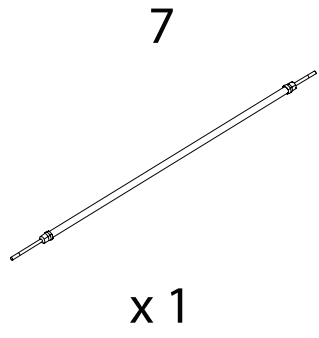
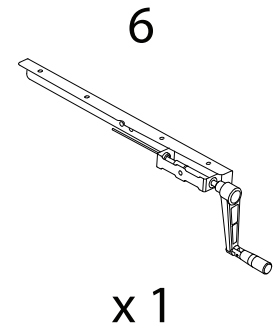
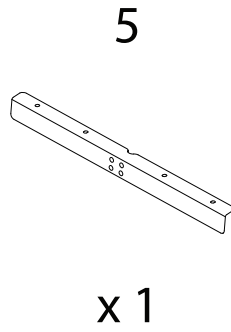
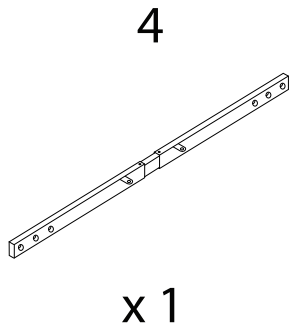
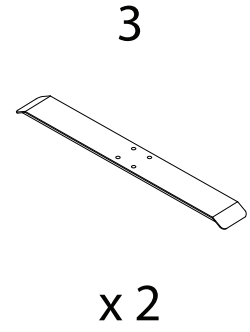
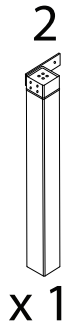
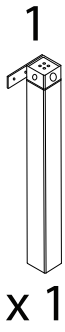


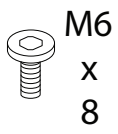
Diagram illustrating assembly steps and safety warnings:

- Top Section:** Shows a circular inset with a screwdriver and an L-shaped bracket. To the right is a power drill. A warning triangle with an exclamation mark is positioned above this section. To the right of the warning triangle is a clock icon, and below it is the text "50'".
- Bottom Section:** Shows a circular inset with a rectangular block being placed on a surface. To the right is a diagram of the block with a diagonal line through it, indicating a warning. A warning triangle with an exclamation mark is positioned above this section. To the right of the warning triangle is a person icon, and below it is the text "2".



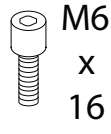


A



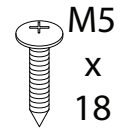
x 8

B



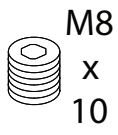
x 8

C



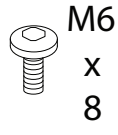
x 10

D



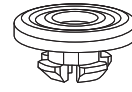
x 4

E



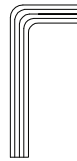
x 6

F



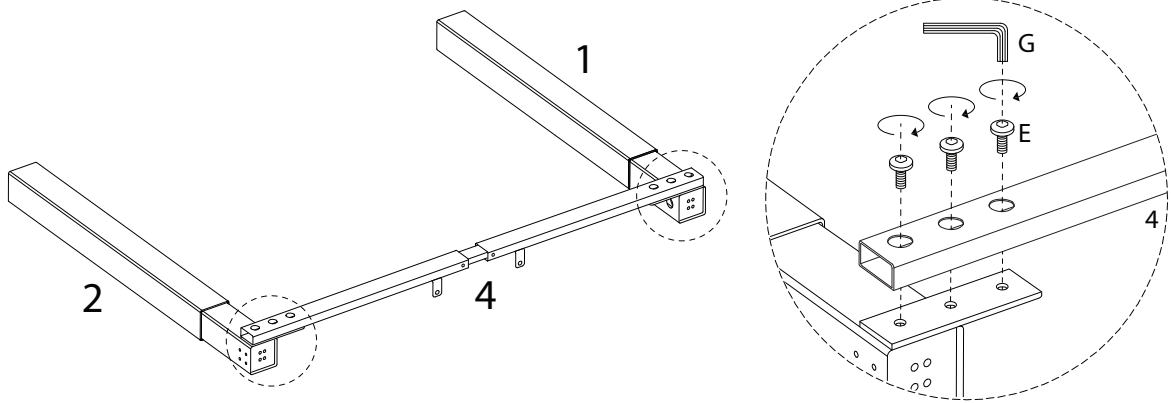
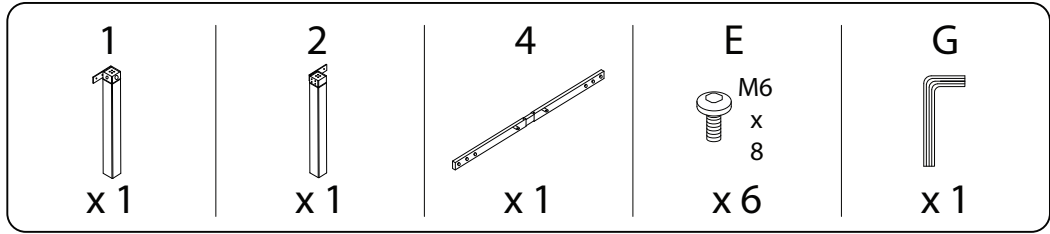
x 10

G

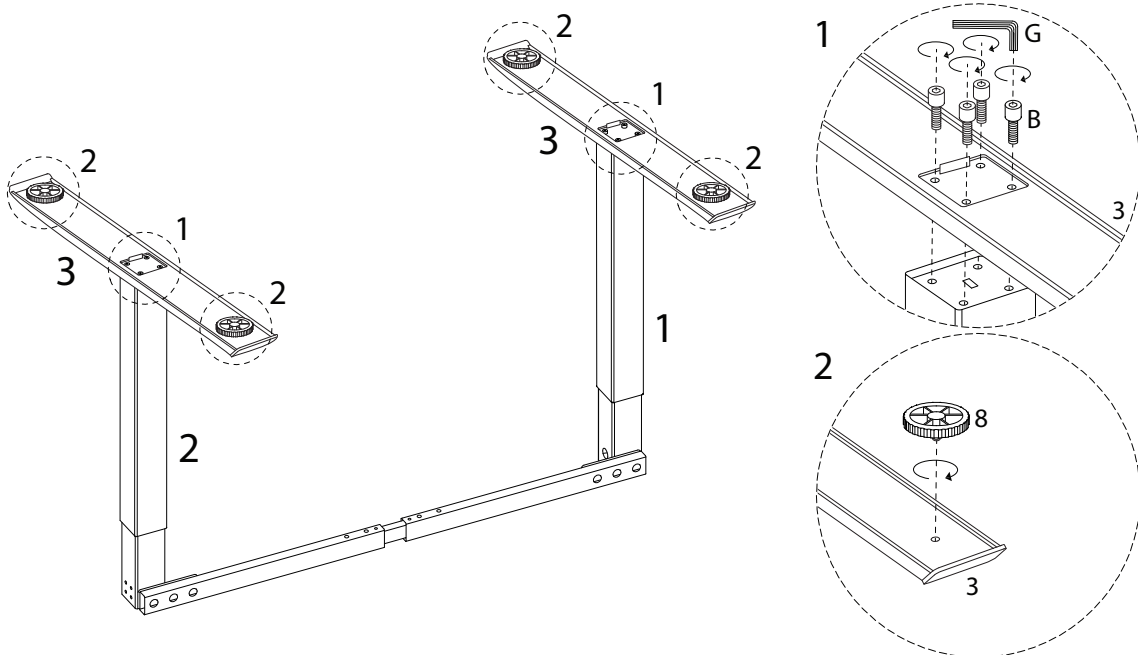
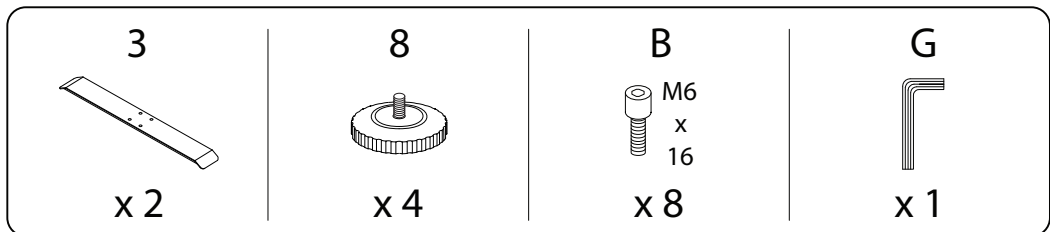


x 1

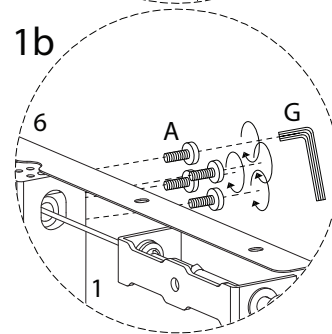
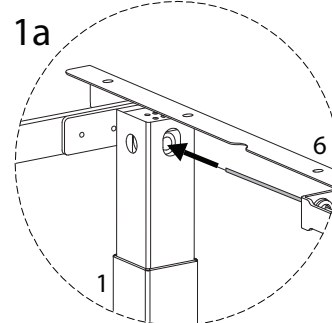
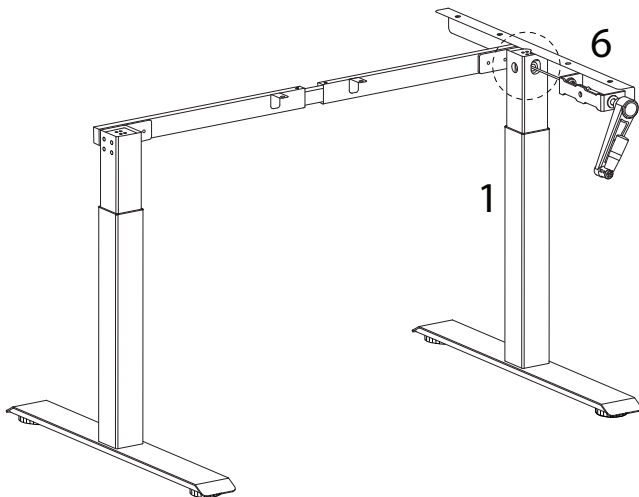
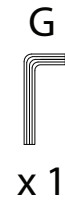
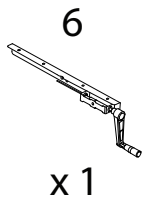
1



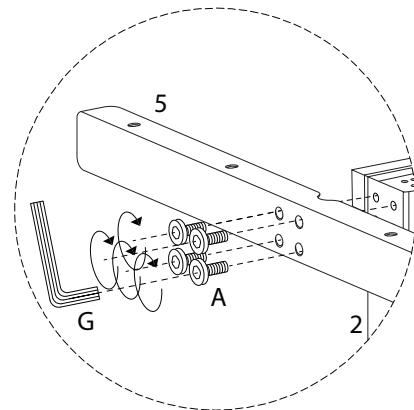
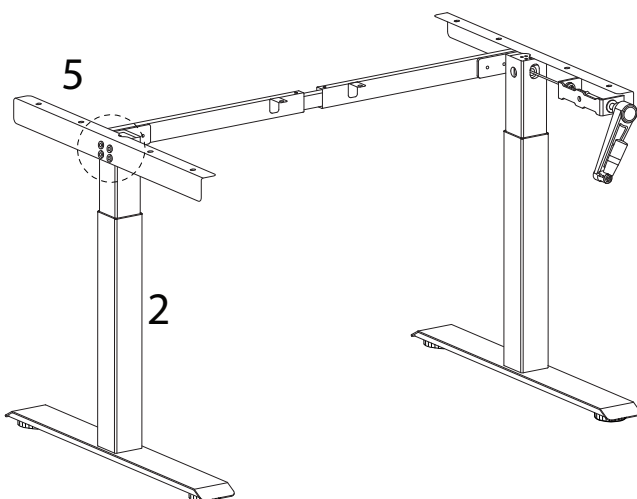
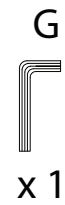
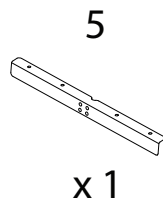
2



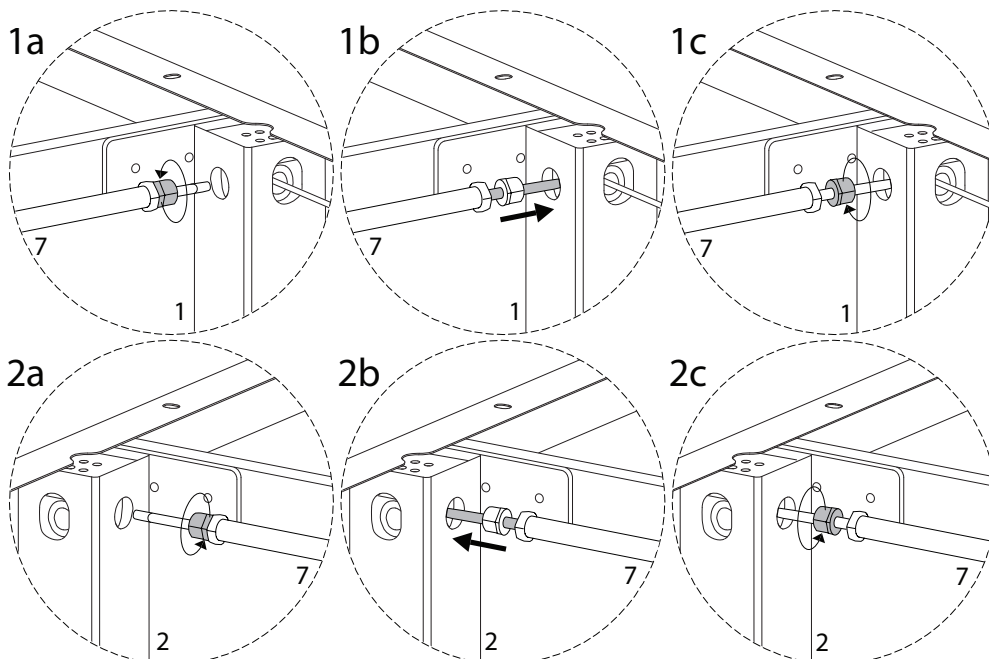
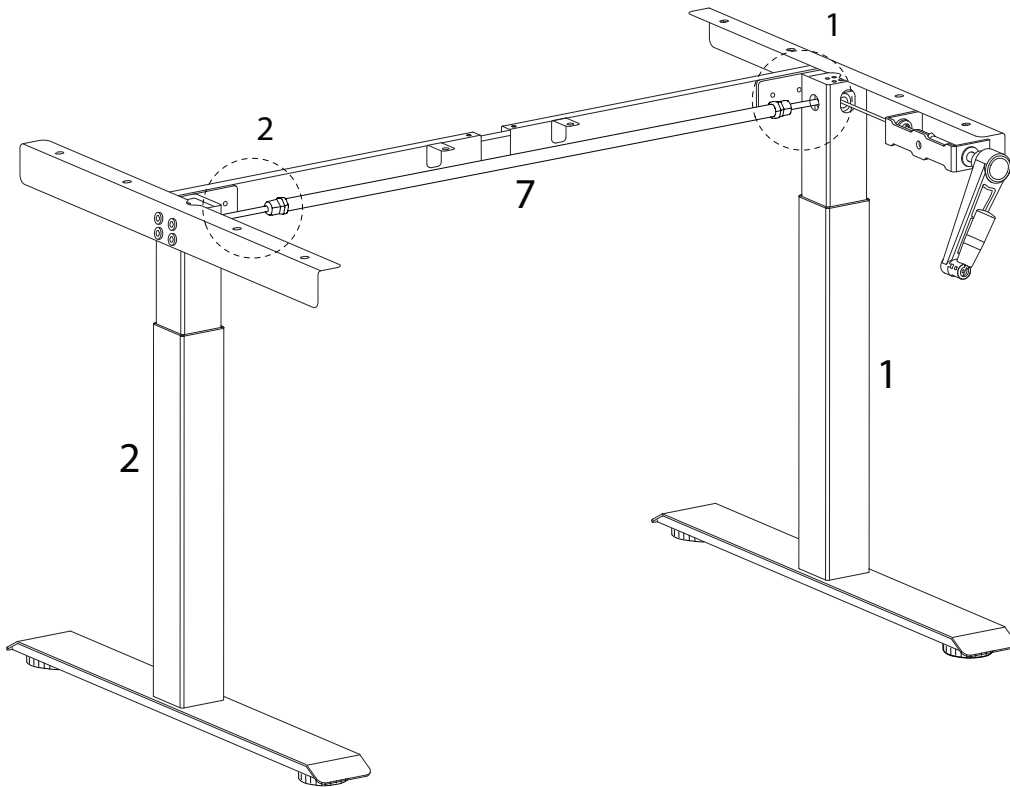
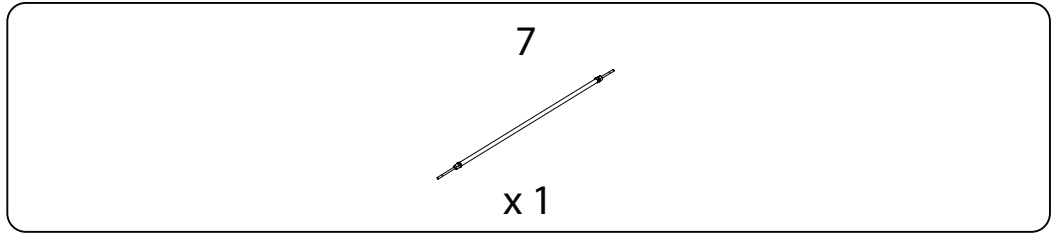
3



4



5



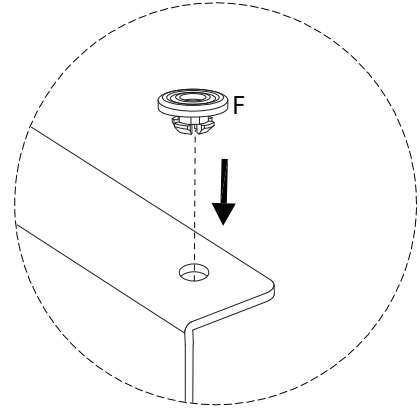
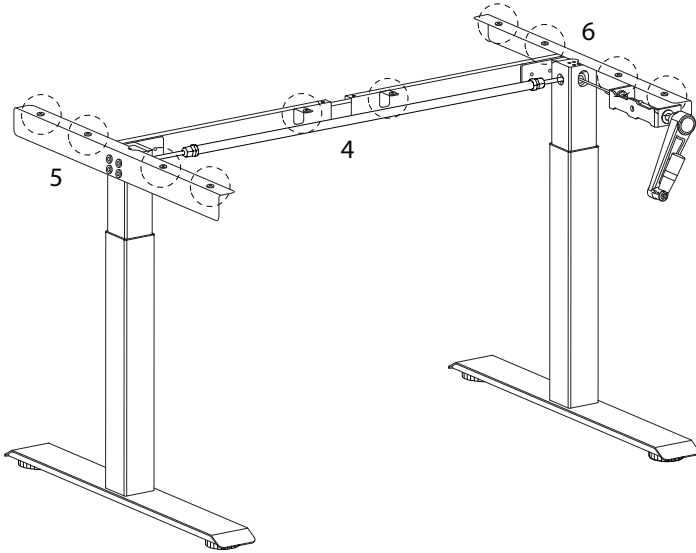


6

F

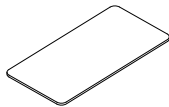


x 10



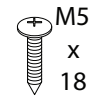
7

9

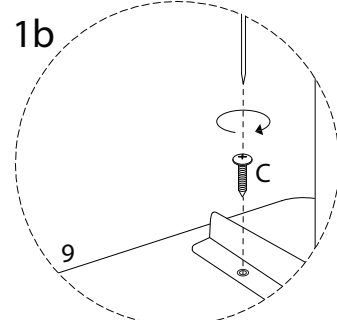
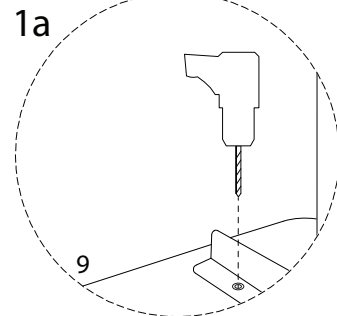
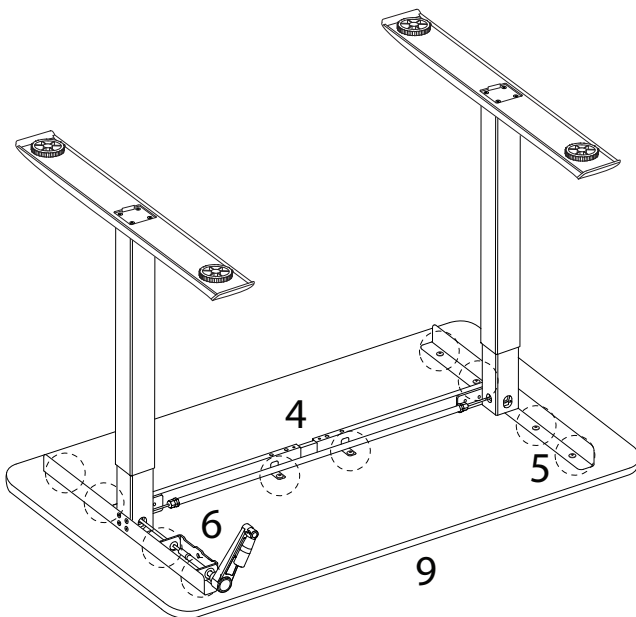


x 1

C



x 10



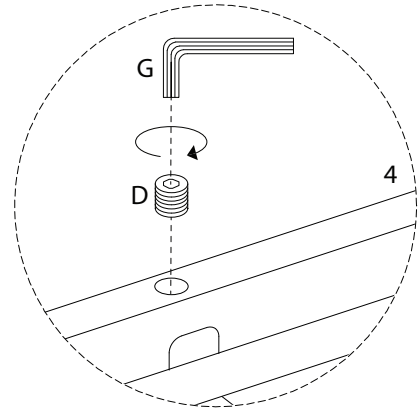
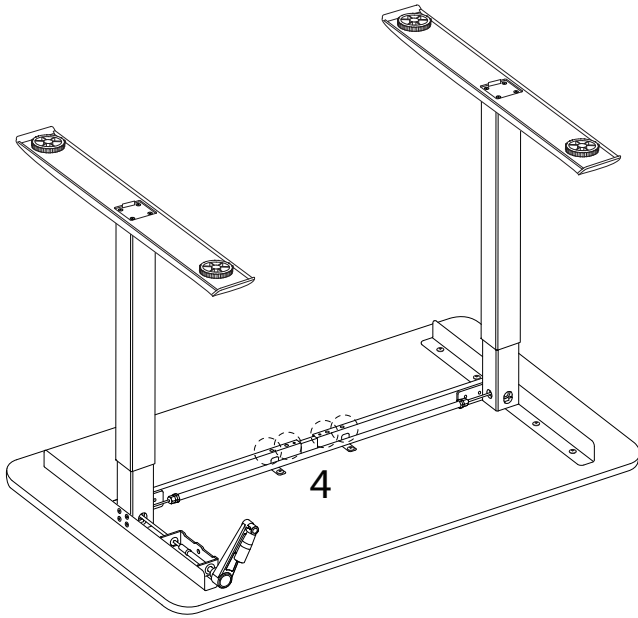
8

D

M8  
x  
10  
x 4

G

x 1



!

