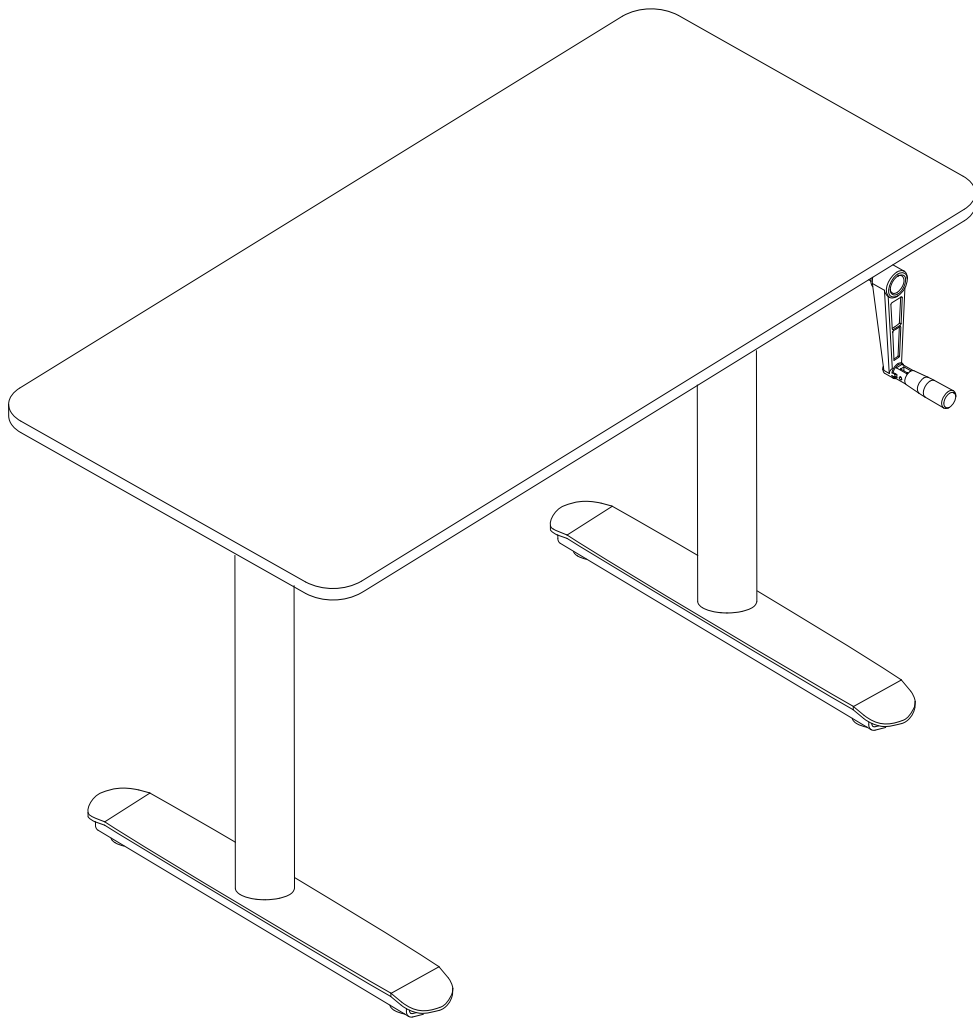


# DESTIN



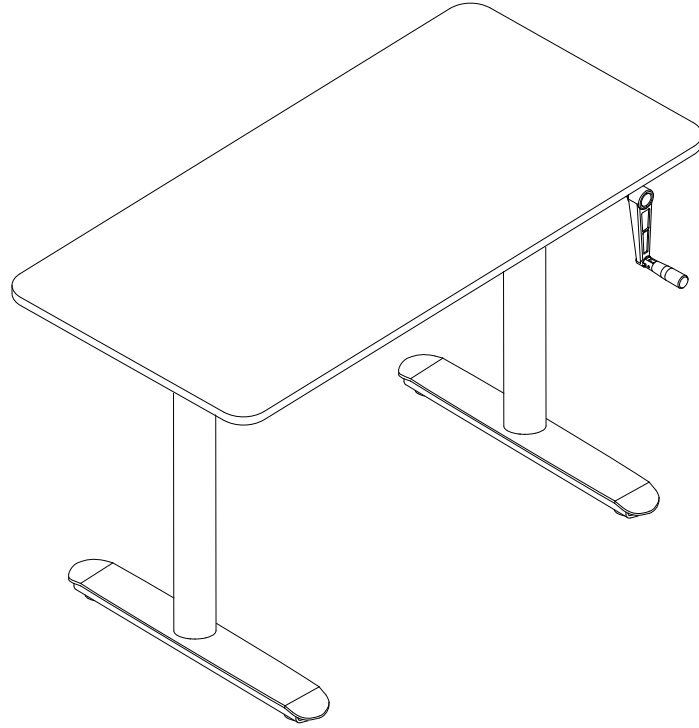
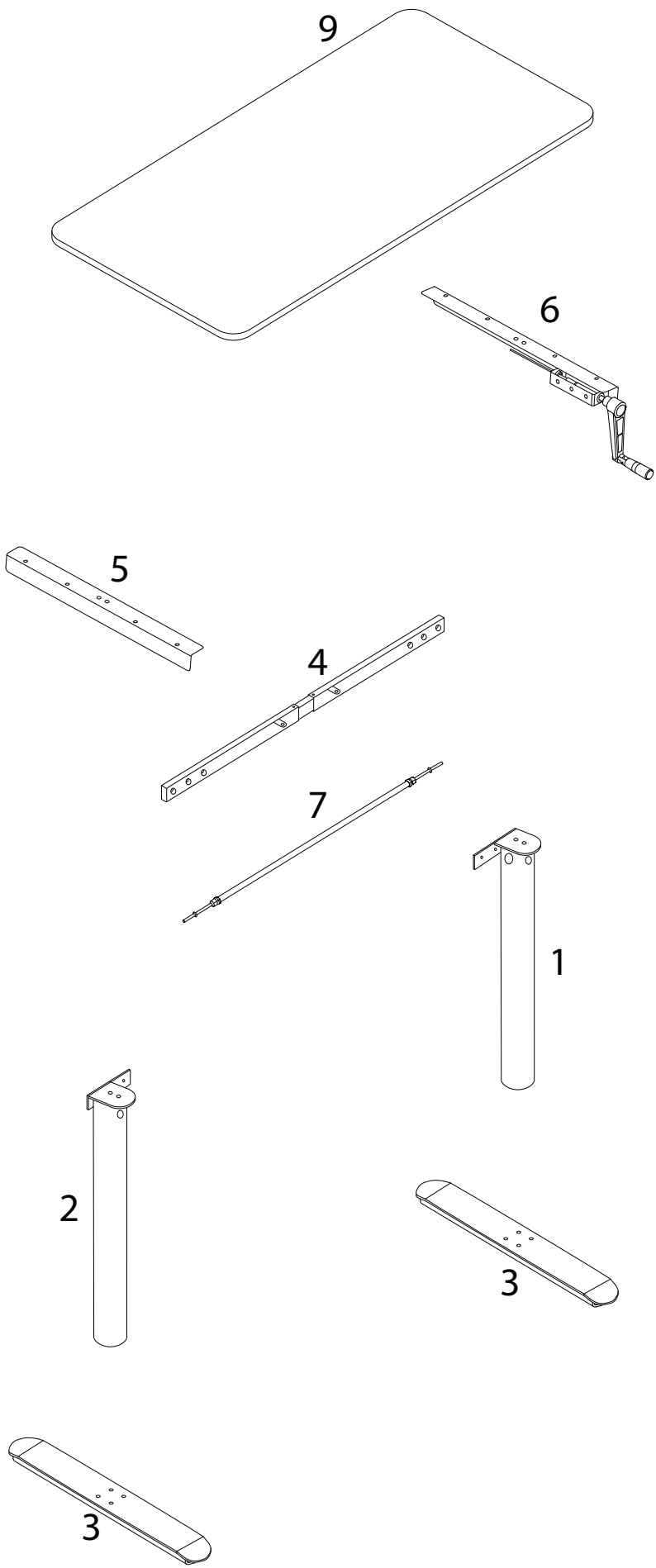
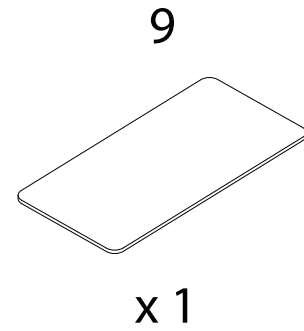
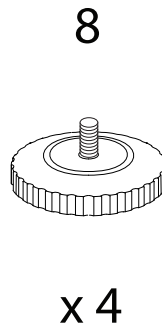
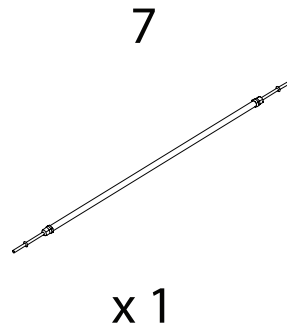
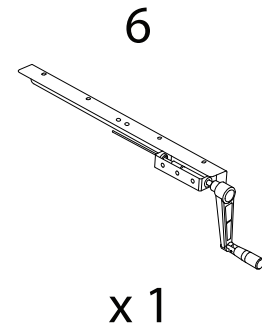
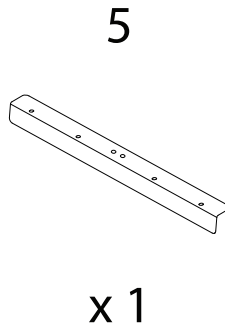
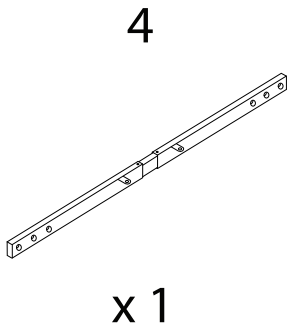
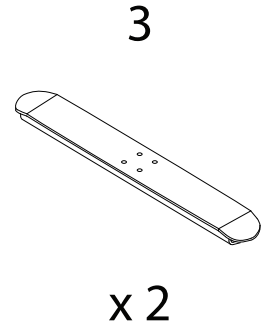
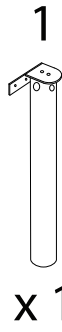


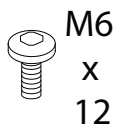
Diagram illustrating assembly steps and safety warnings:

- Step 1:** A circular inset shows an L-shaped metal bracket. A power drill is shown to the right of the bracket. A warning triangle with an exclamation mark is positioned above this step.
- Step 2:** A circular inset shows a rectangular block being placed on a surface. A second inset shows the block with a diagonal line through it, indicating it should not be placed on a soft surface. A warning triangle with an exclamation mark is positioned above this step.
- Time:** A clock icon is shown next to the text "50'", indicating the estimated assembly time.
- Personnel:** An icon of a person is shown next to the number "2", indicating that two people are required for assembly.



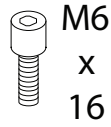


A



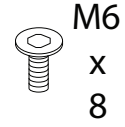
x 8

B



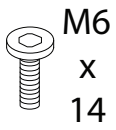
x 8

C



x 4

D



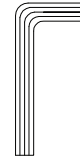
x 10

E



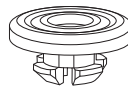
x 4

F



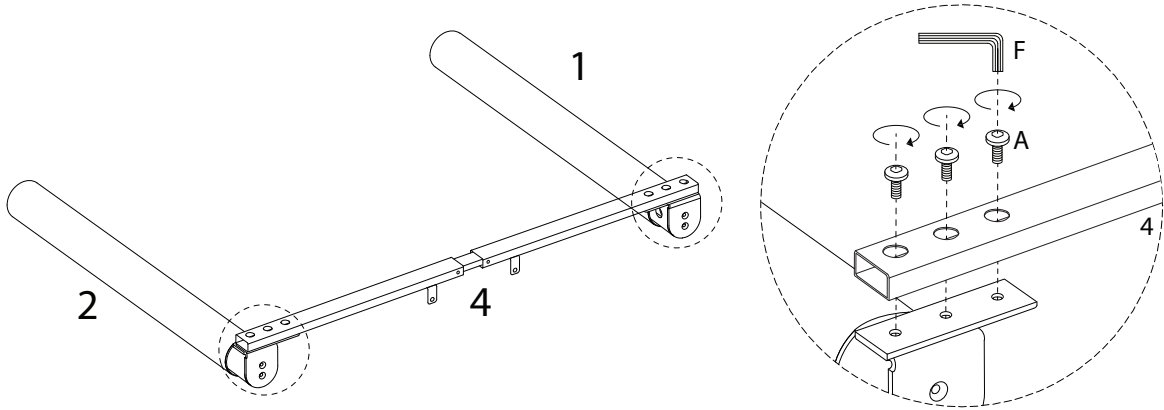
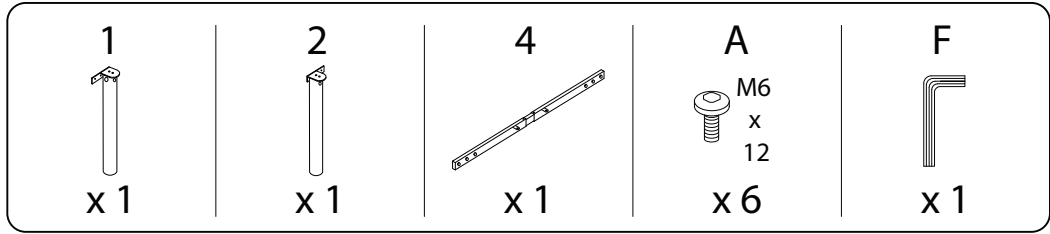
x 1

G

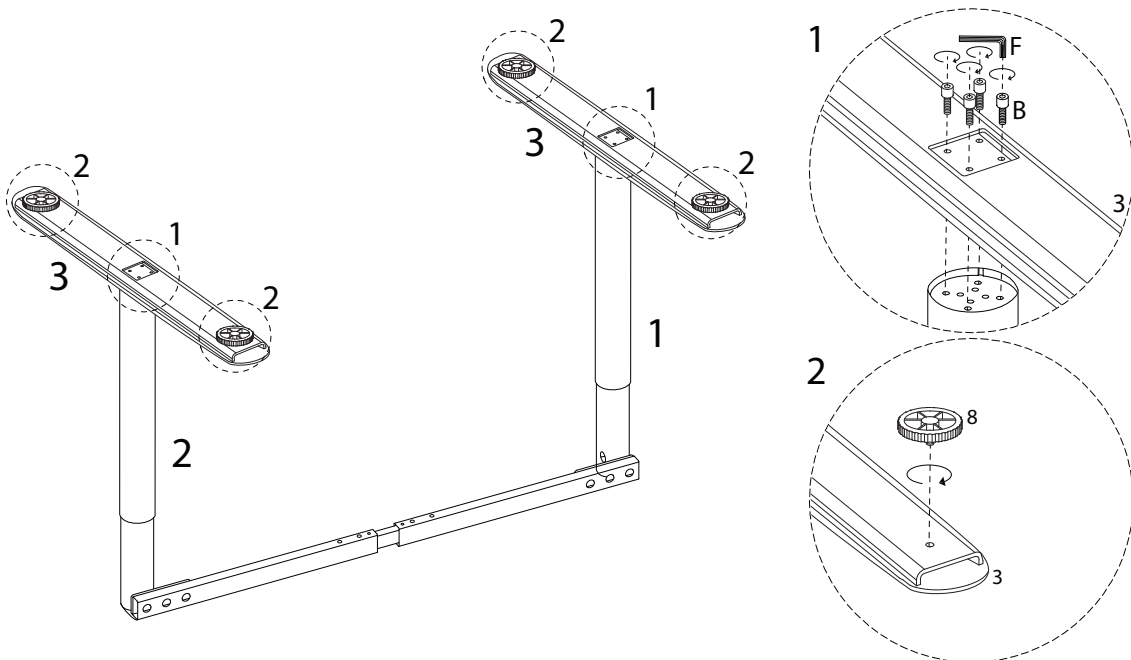
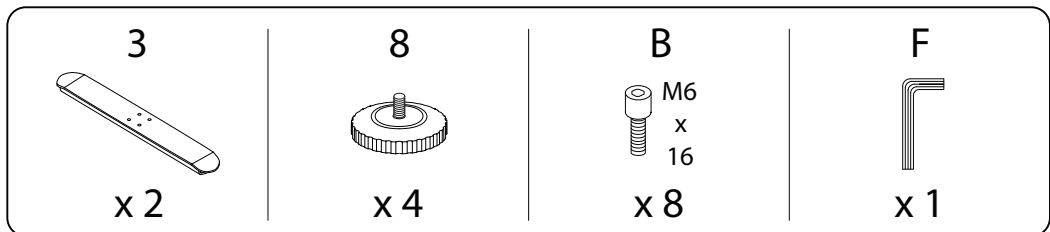


x 10

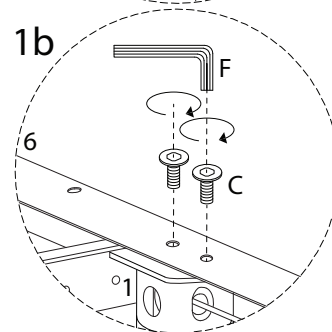
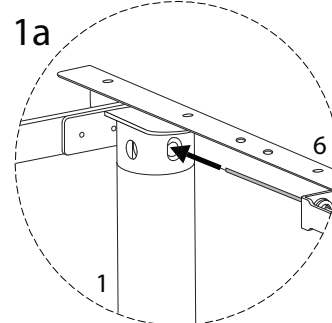
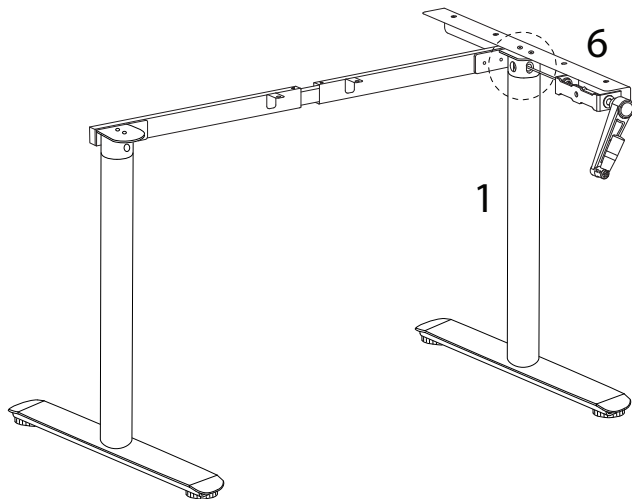
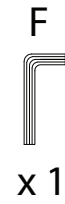
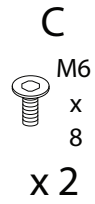
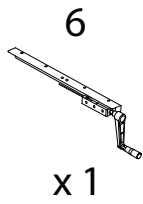
1



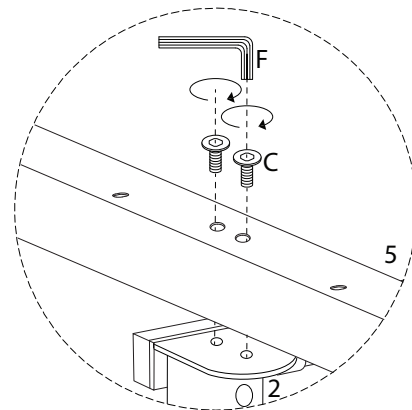
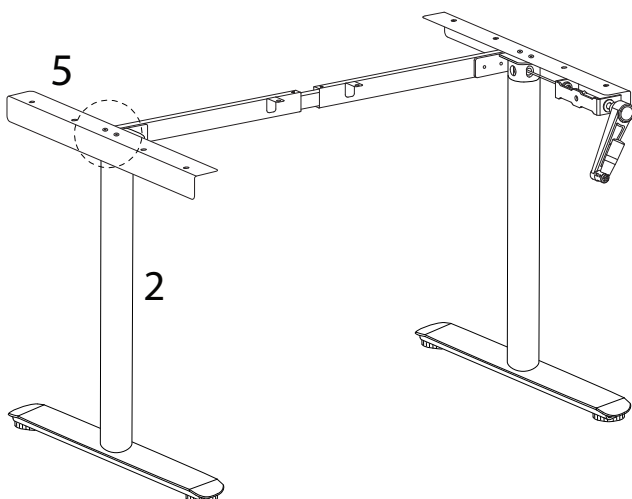
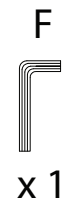
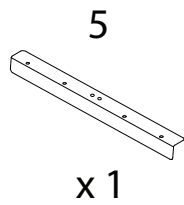
2



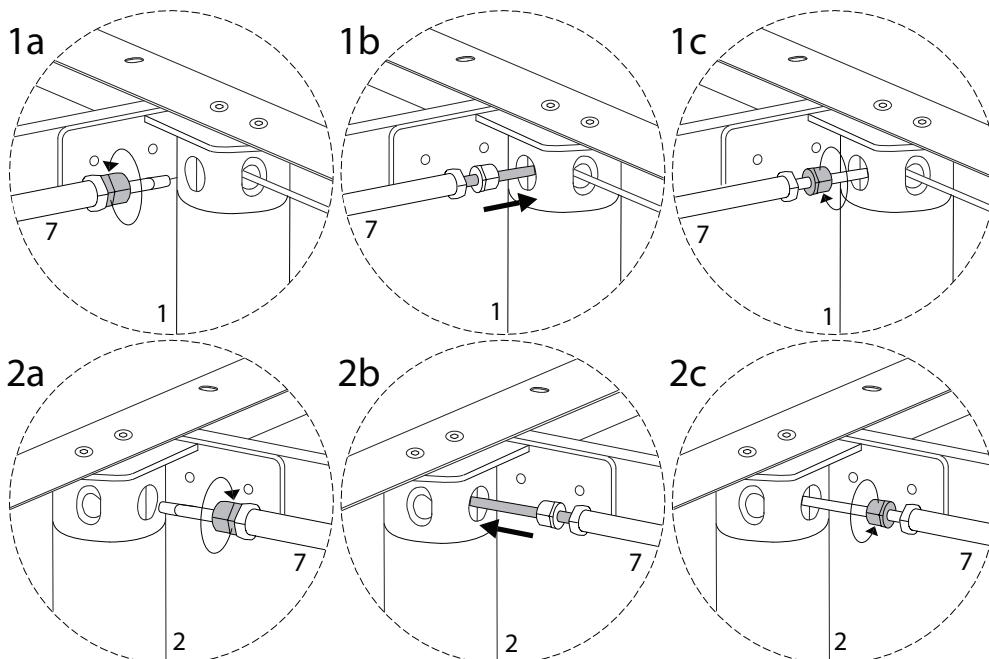
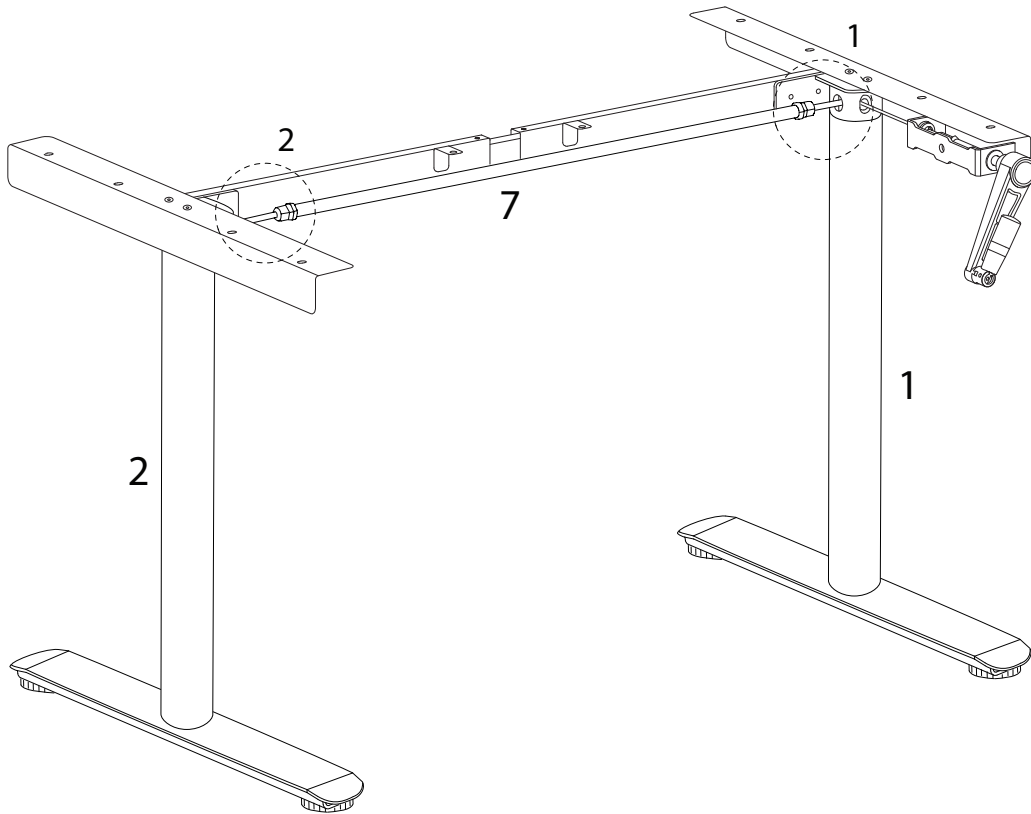
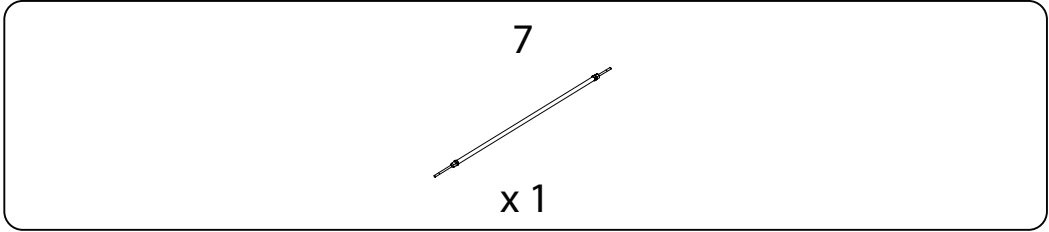
3



4



5



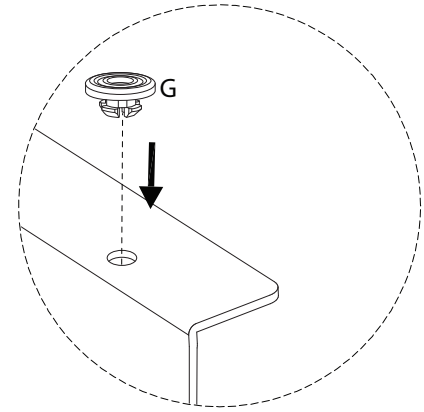
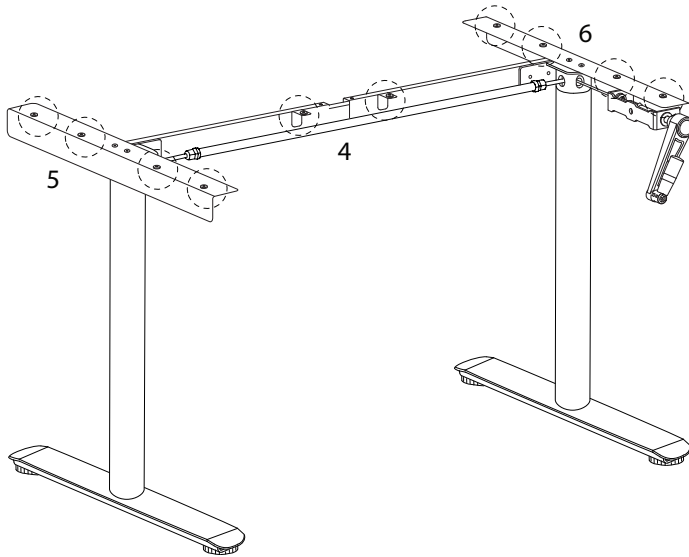


6

G

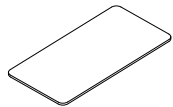


x 10



7

5



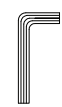
x 1

D

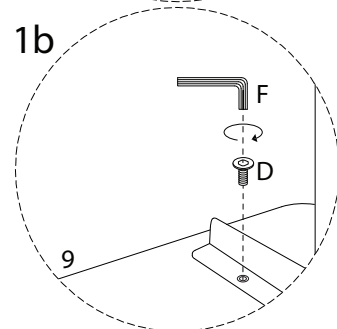
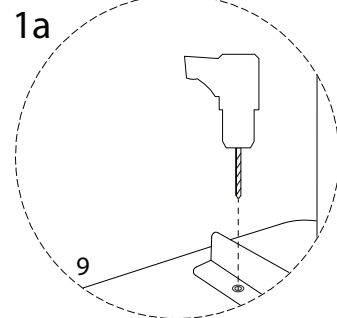
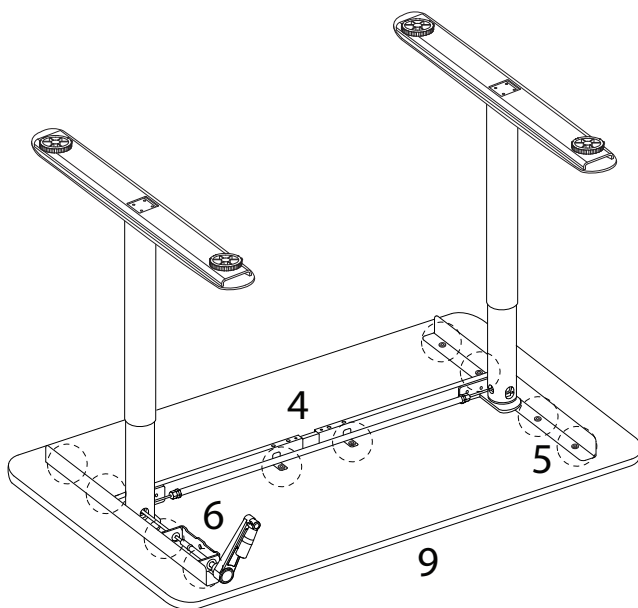


x 10

F



x 1



8

E

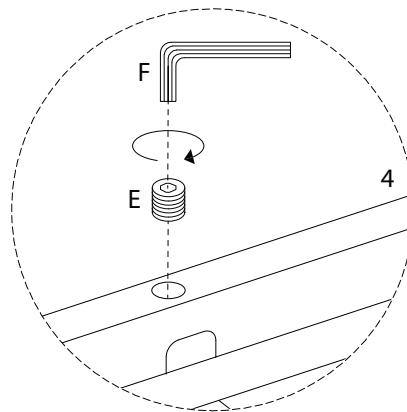
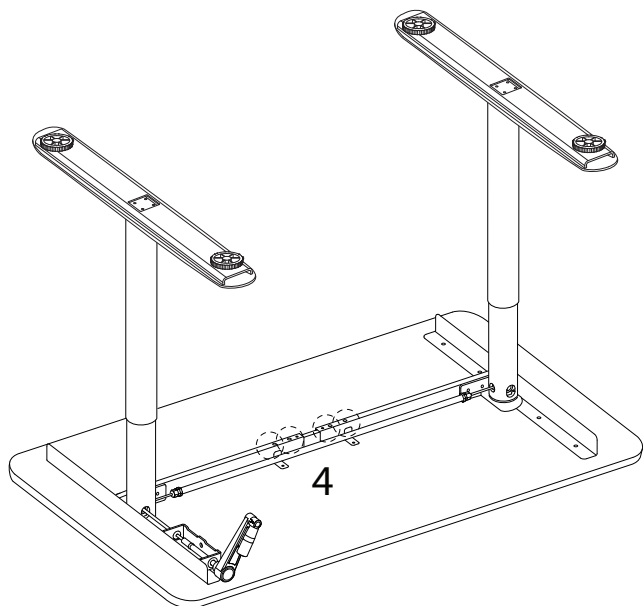


x 4

F



x 1



!

