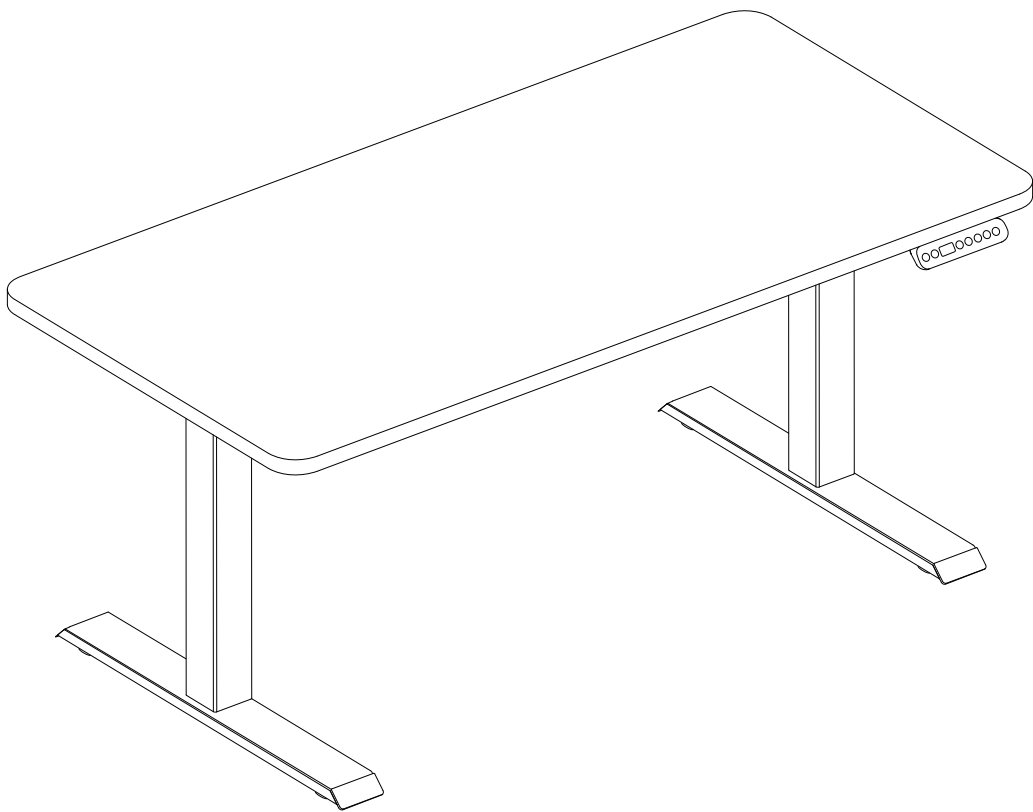
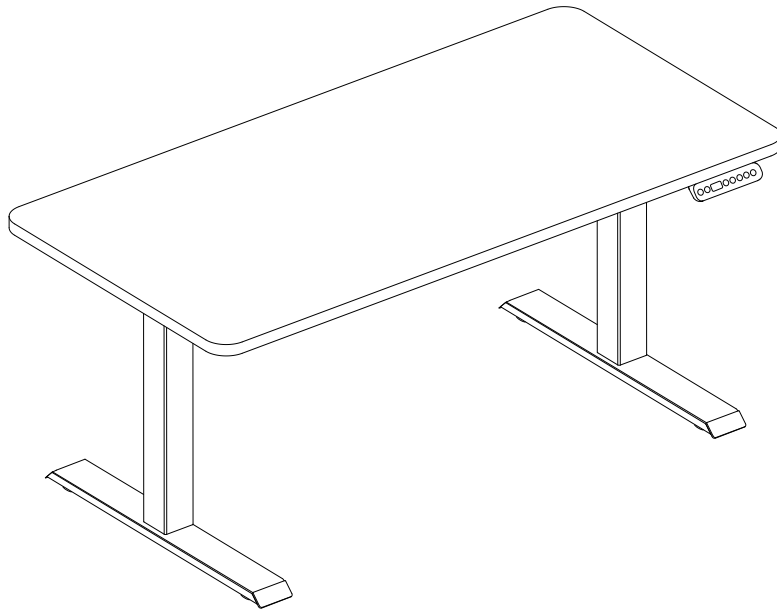
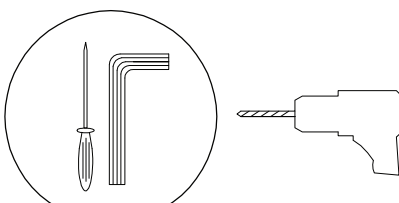


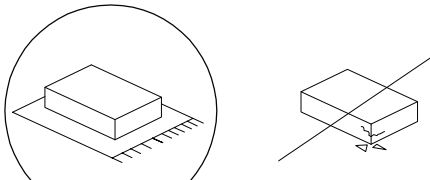
DESTIN





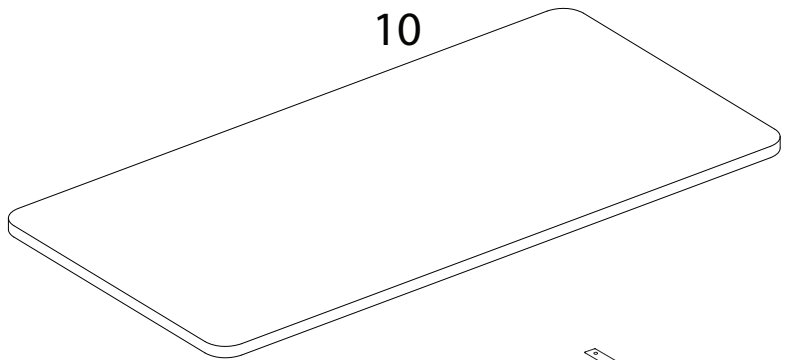
!  !

50'

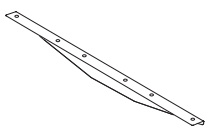
!  !

2

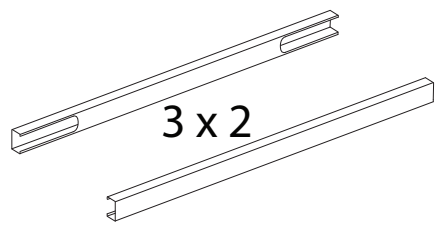
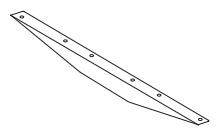
The diagram consists of two rows of icons. The top row shows a circular icon containing a screwdriver and a power drill, followed by a warning triangle with an exclamation mark. To the right of this row is a clock icon and the text "50'". The bottom row shows a circular icon containing a person standing on a box, followed by a warning triangle with an exclamation mark. To the right of this row is a person icon and the text "2".



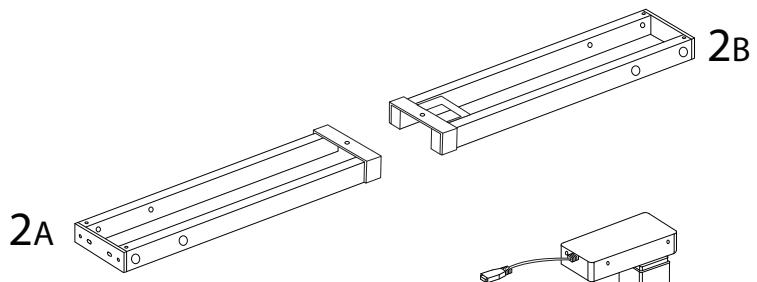
10



4 x 2

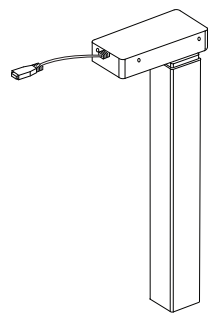
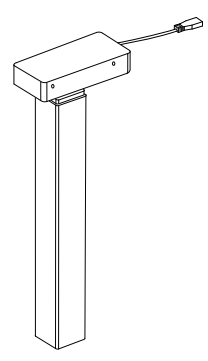


3 x 2

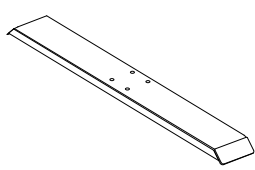
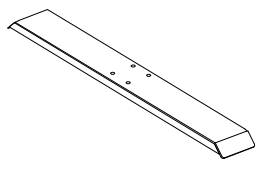


2A

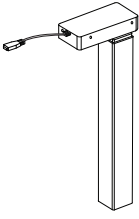
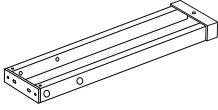
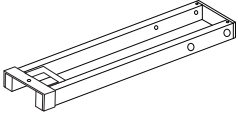
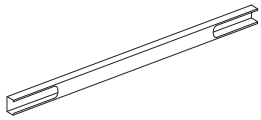
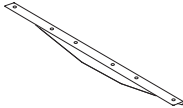
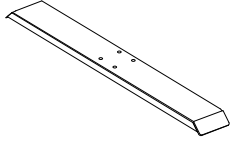
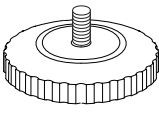
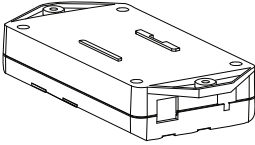
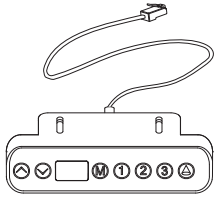
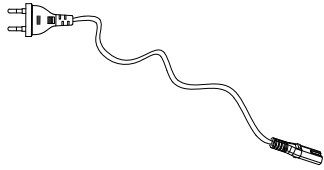

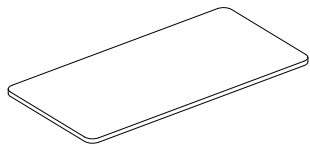
2B



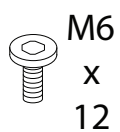
1 x 2



5 x 2

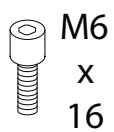
<p>1</p>  <p>x 2</p>	<p>2A</p>  <p>x 1</p>	<p>2B</p>  <p>x 1</p>
<p>3</p>  <p>x 2</p>	<p>4</p>  <p>x 2</p>	<p>5</p>  <p>x 2</p>
<p>6</p>  <p>x 4</p>	<p>7</p>  <p>x 1</p>	<p>8</p>  <p>x 1</p>
<p>9A</p>  <p>x 1</p>	<p>9B</p>  <p>x 1</p>	<p>10</p>  <p>x 1</p>

A



x 8

B



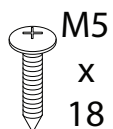
x 8

C



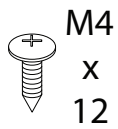
x 4

D



x 10

E



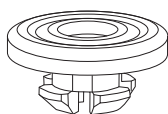
x 2

F



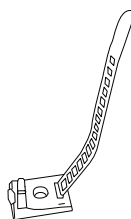
x 8

G



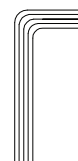
x 10

H



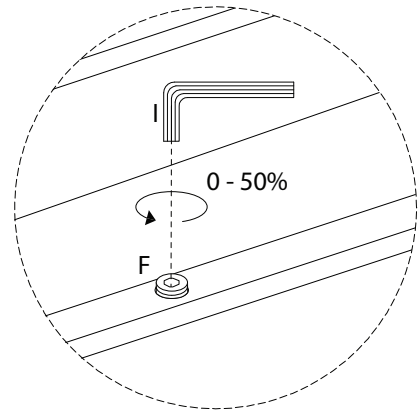
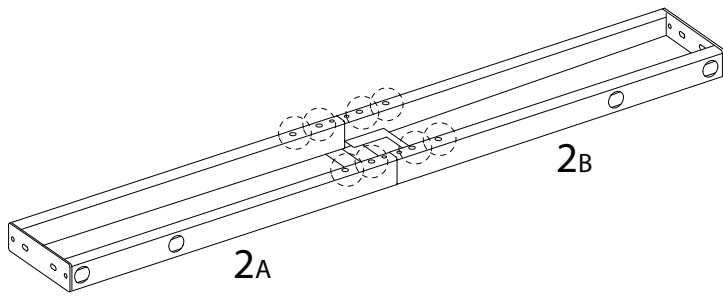
x 2

I

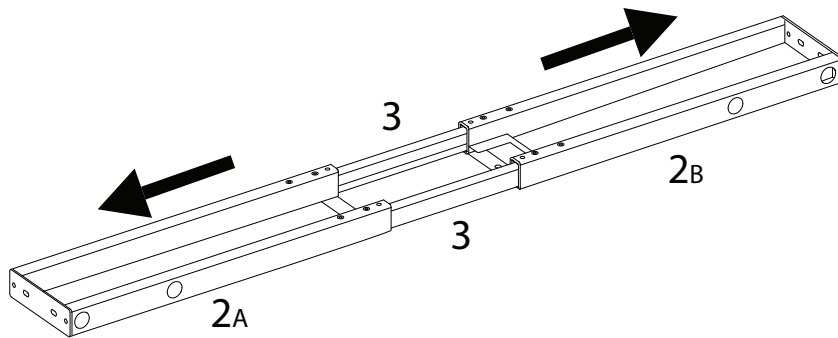
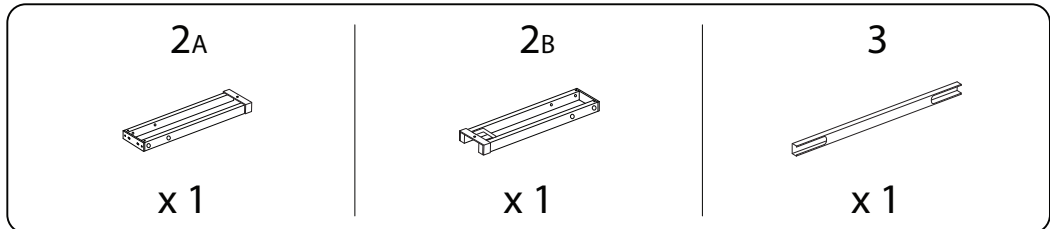


x 1

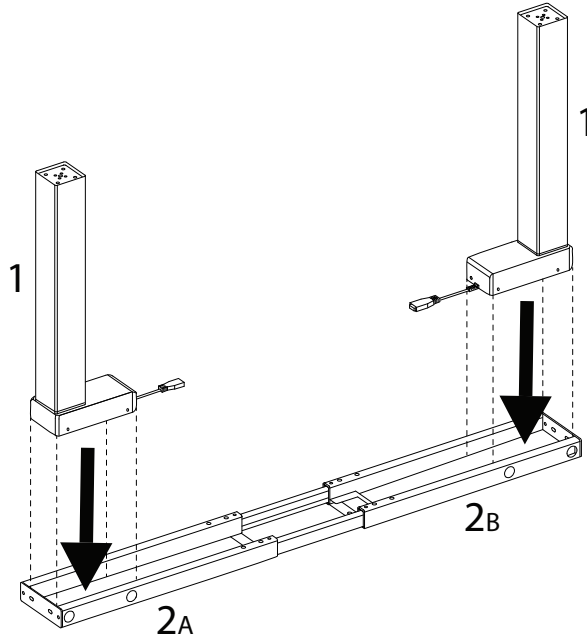
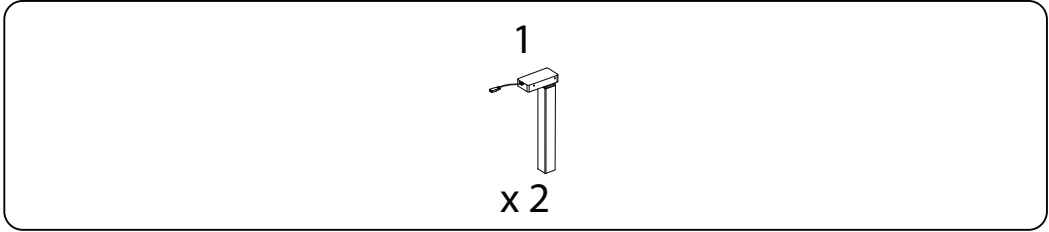
!



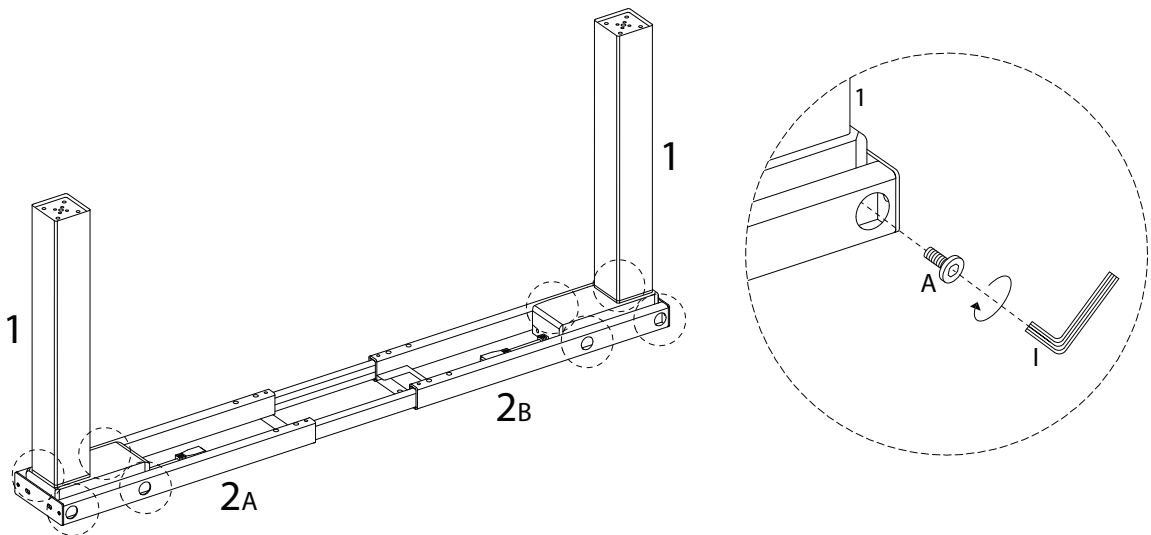
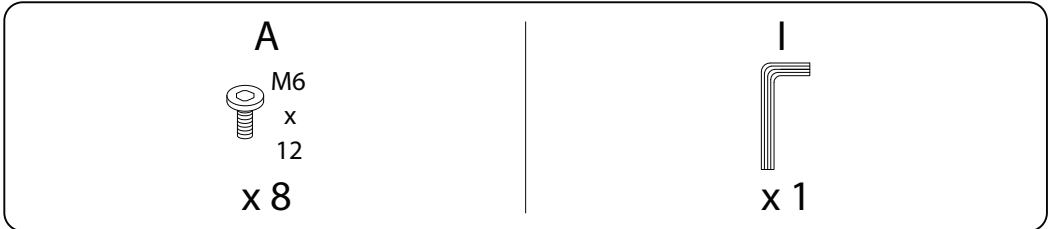
1



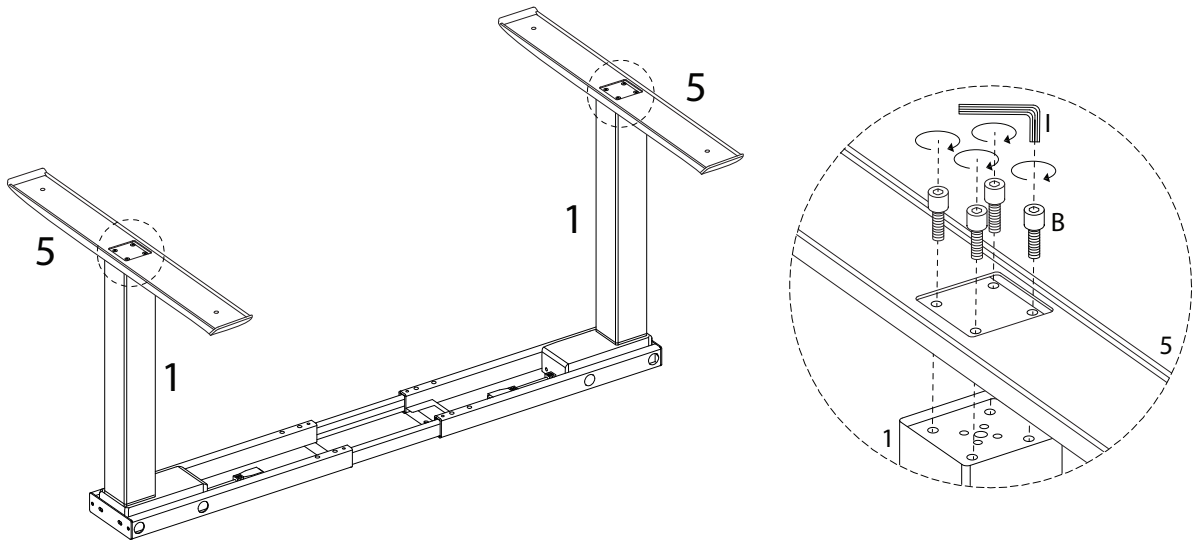
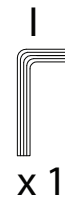
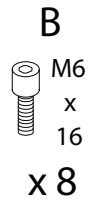
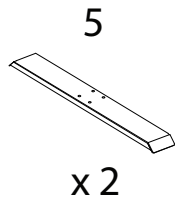
2



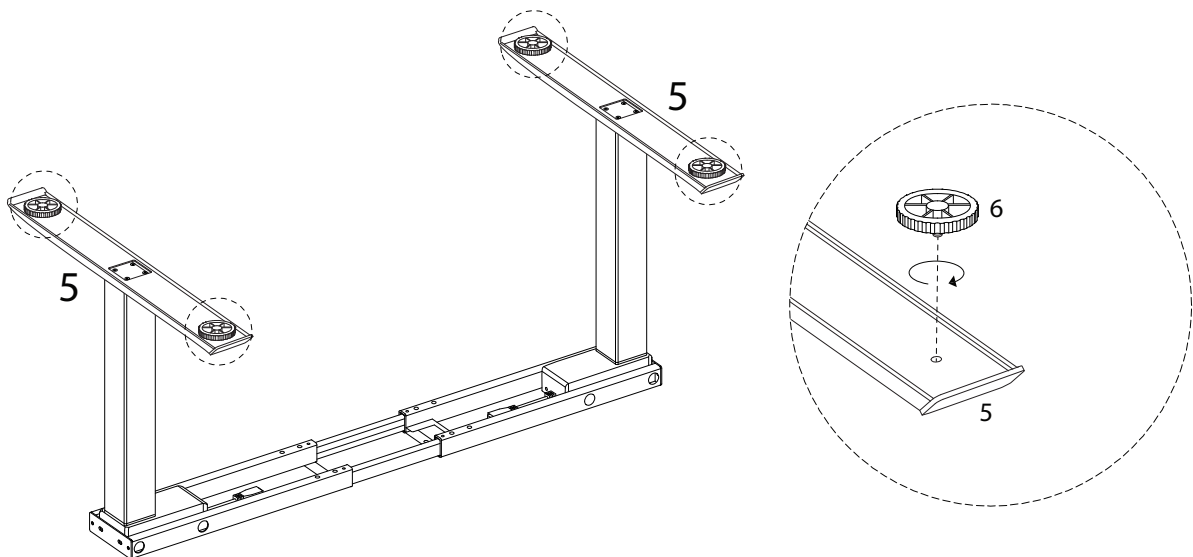
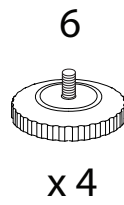
3



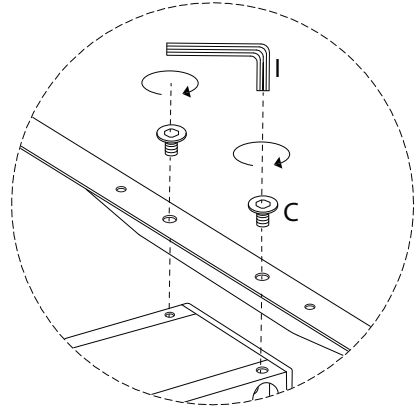
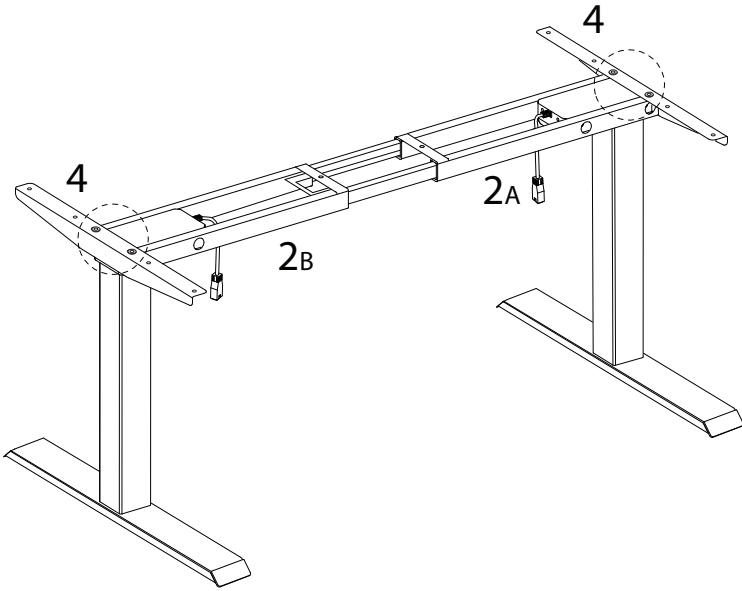
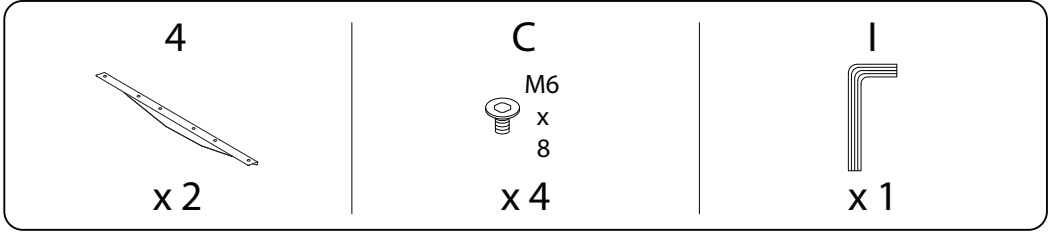
4



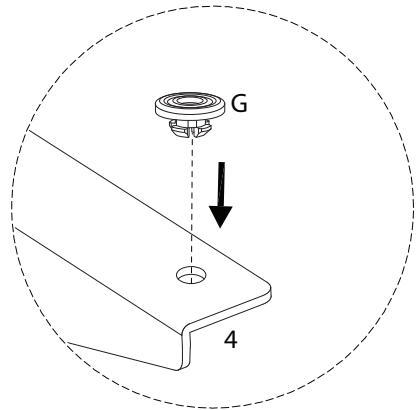
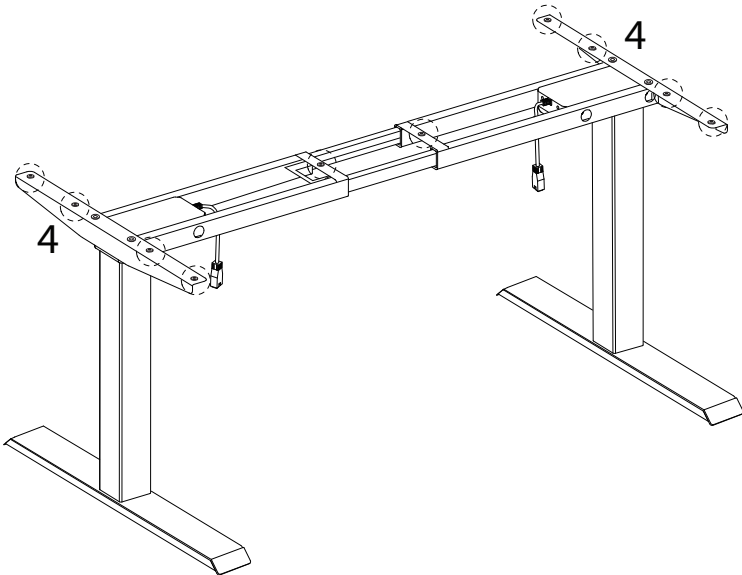
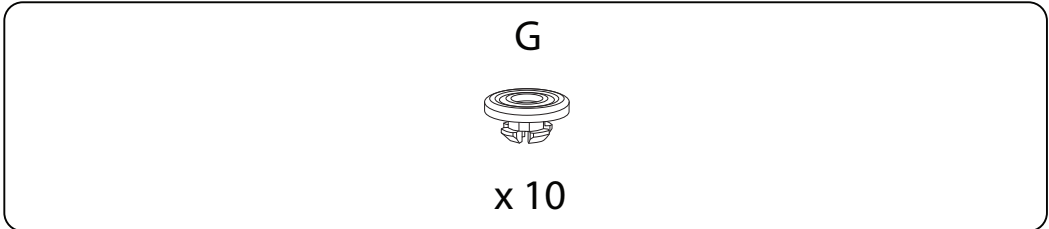
5



6

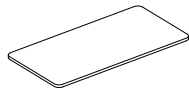


7



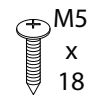
8

10

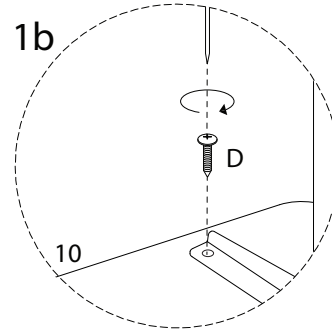
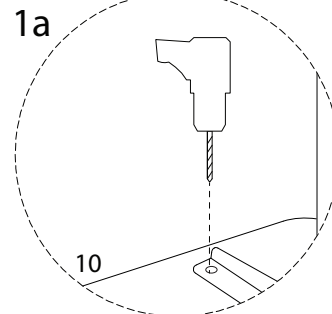
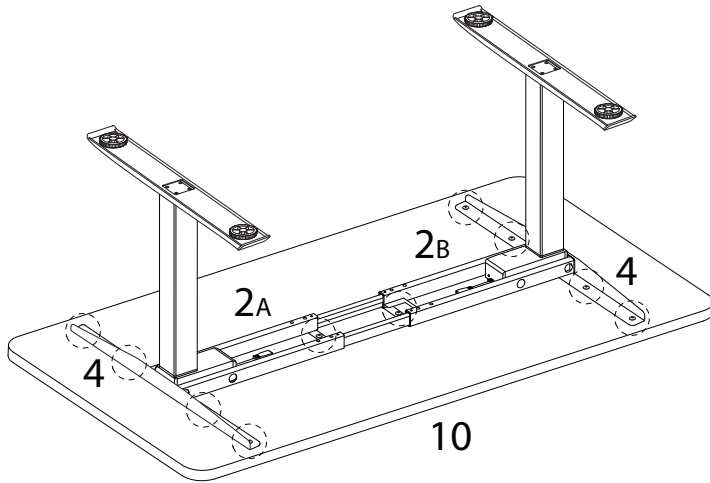


x 1

D



x 10



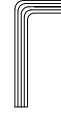
9

F

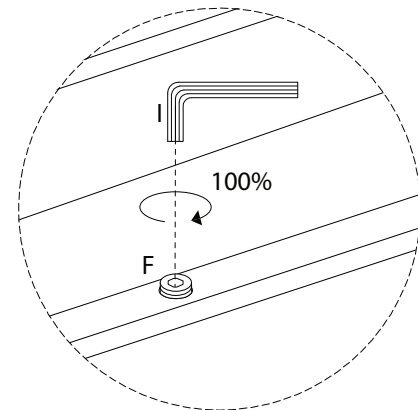
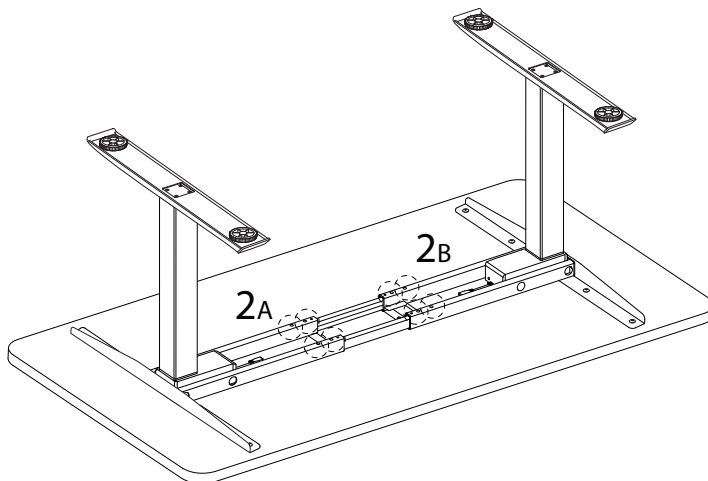


x 8

I

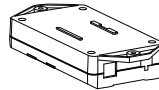


x 1

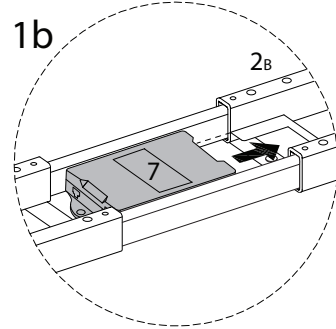
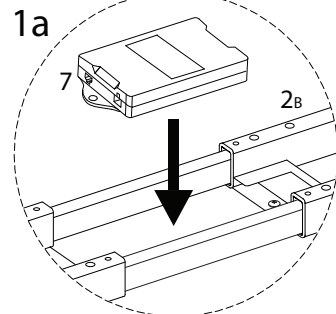
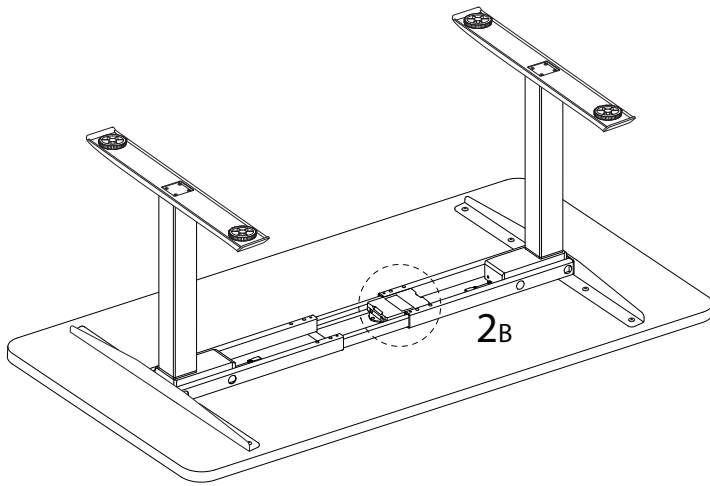


10

7

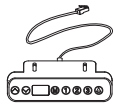


x 1



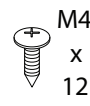
11

8



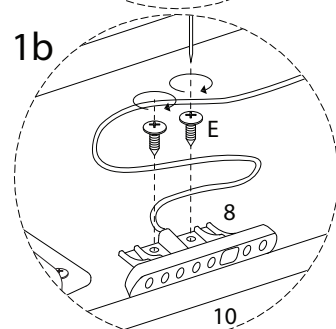
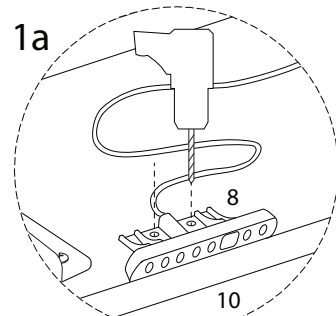
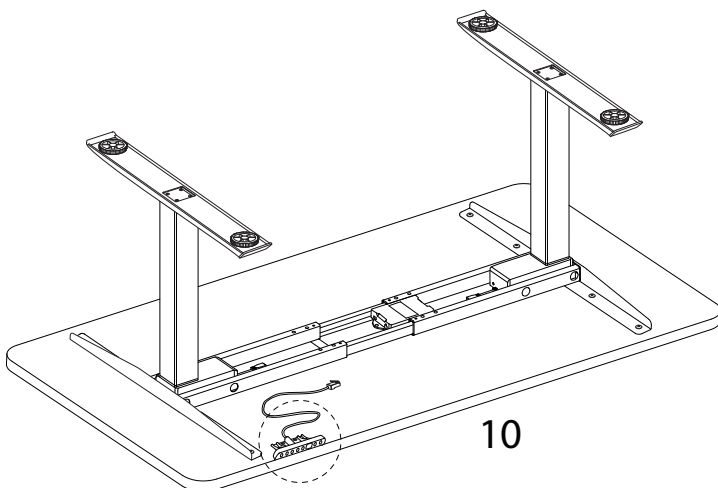
x 1

E

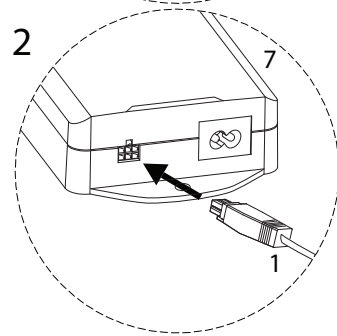
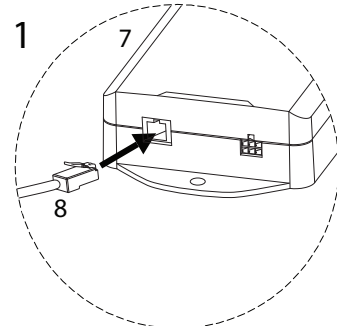
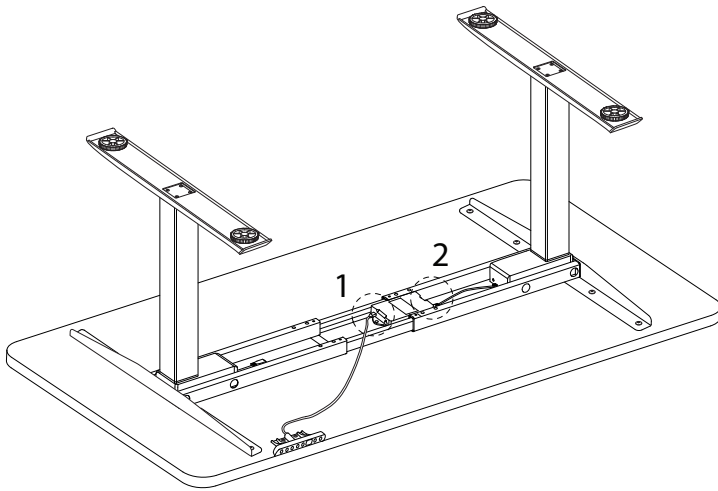


x 12

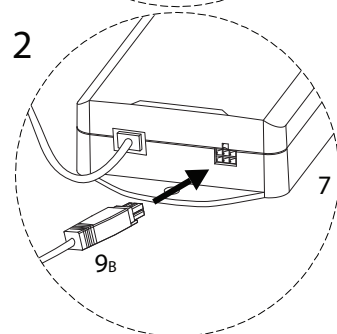
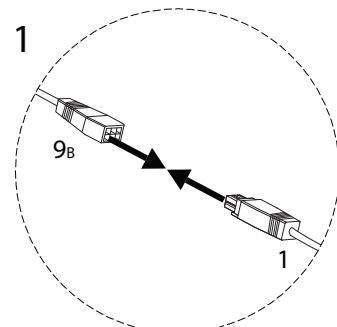
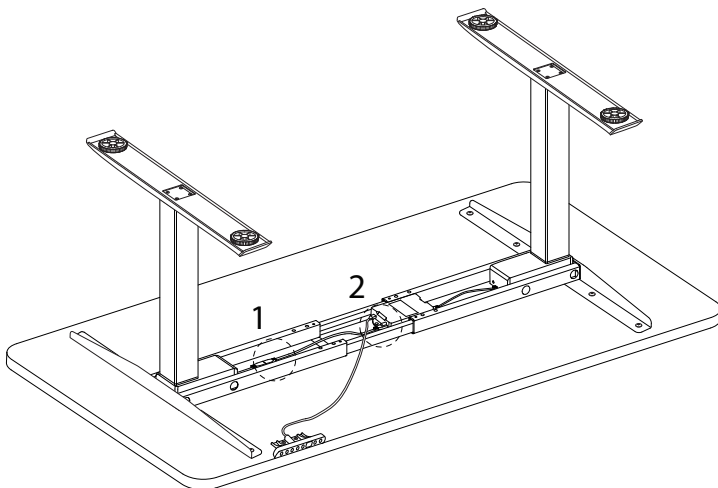
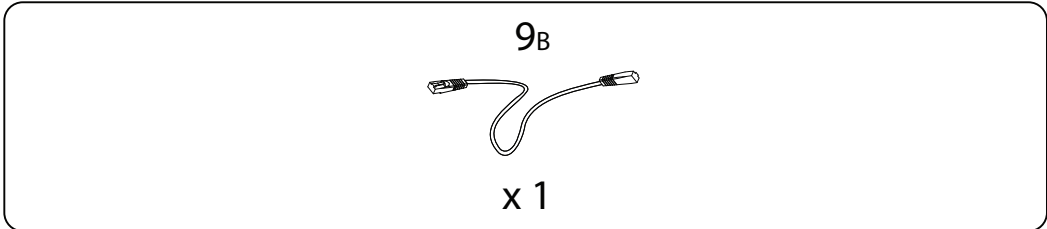
x 2



12

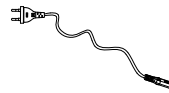


13

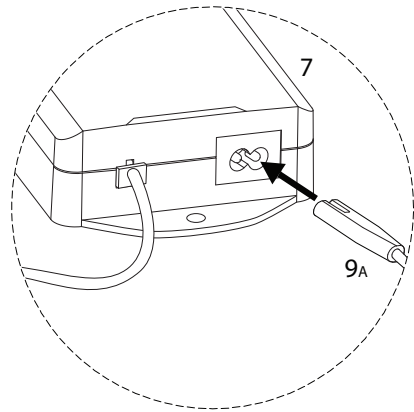
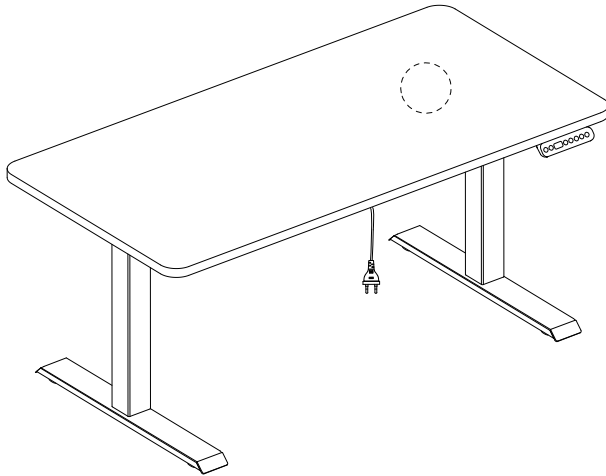


14

9A



x 1

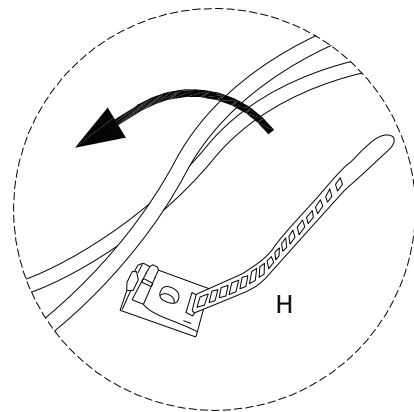
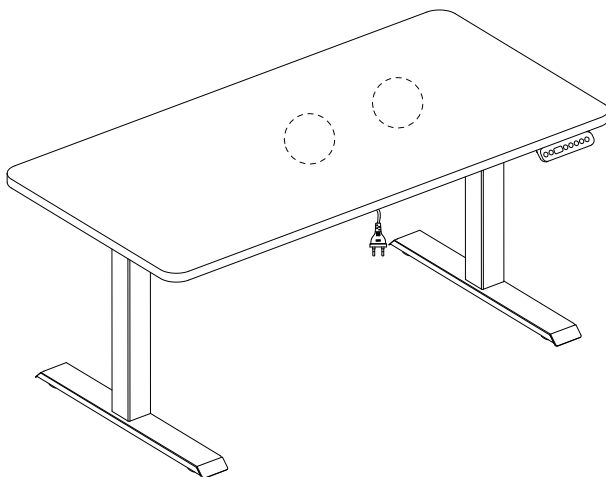


15

H



x 2



!

