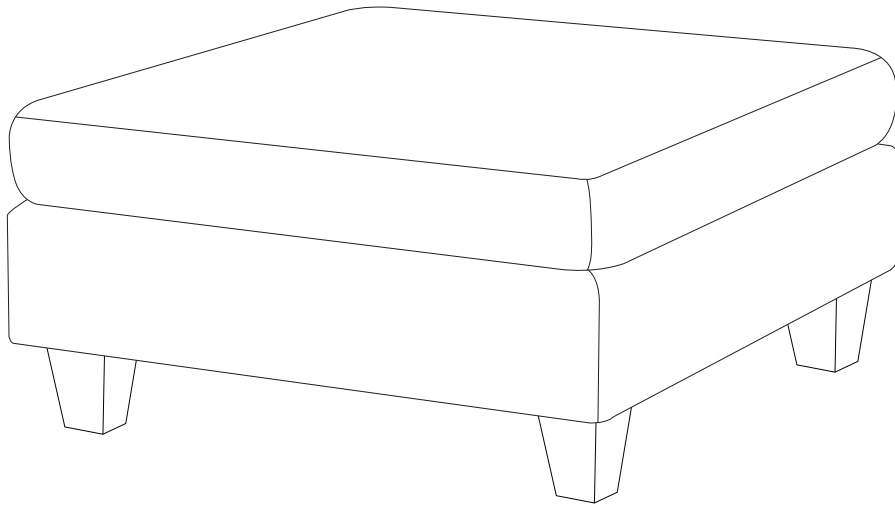
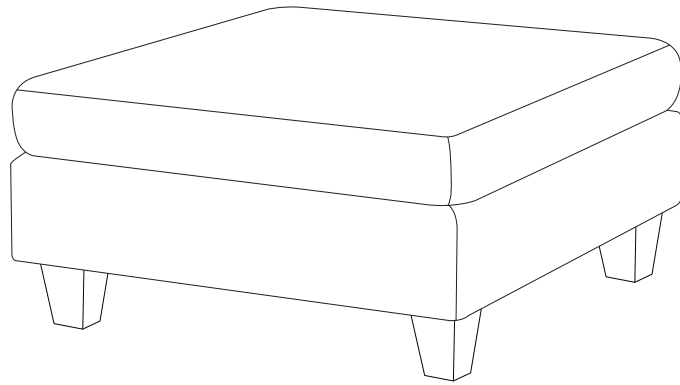


UNSTAD

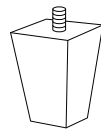
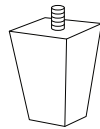
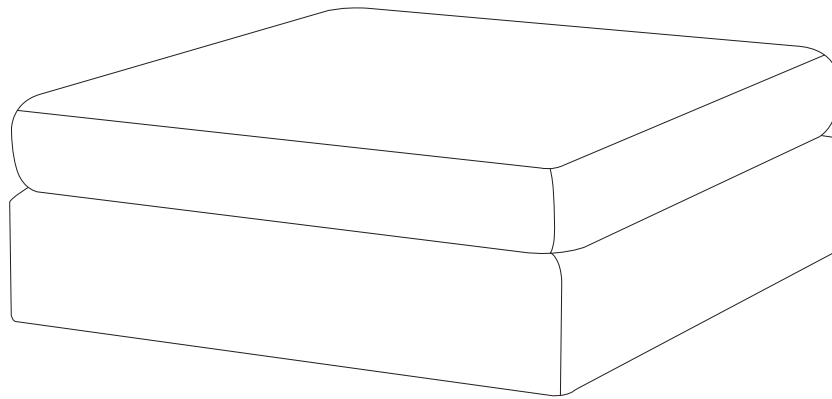




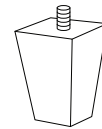
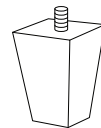
Assembly instructions for step 1/4:

- Tools:** A screwdriver is shown as the required tool. A power drill is shown with a diagonal line through it, indicating it is not to be used.
- Warning:** A warning triangle with an exclamation mark is positioned to the right of the tool icons.
- Time:** A clock icon is shown, with the text "10'" below it, indicating a 10-minute assembly time.
- Personnel:** A person icon is shown, with the text "1" below it, indicating that one person is required for assembly.

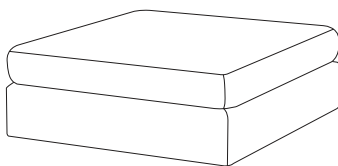
A3



B x 4

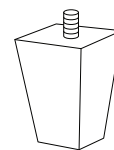


A3



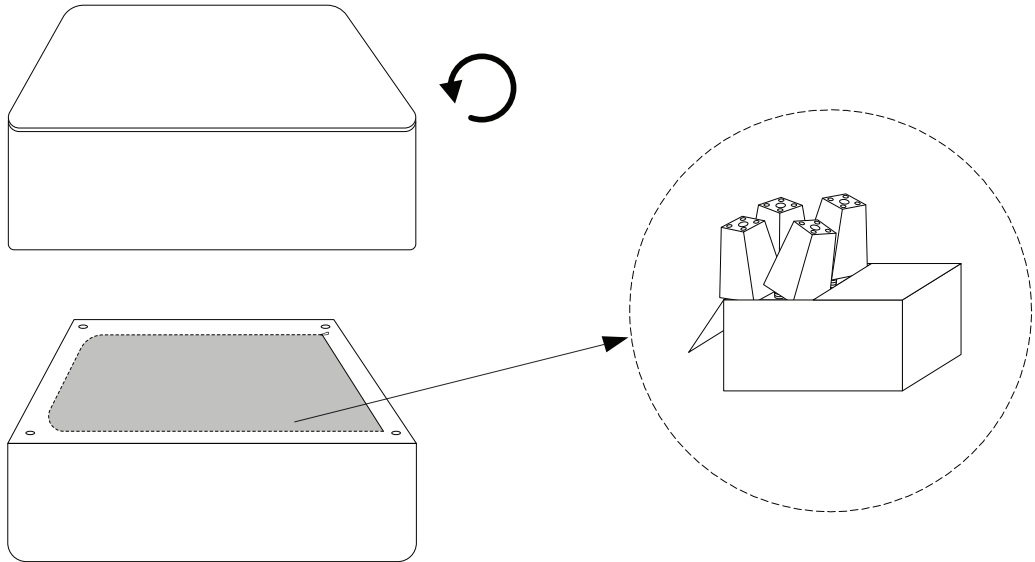
x 1

B

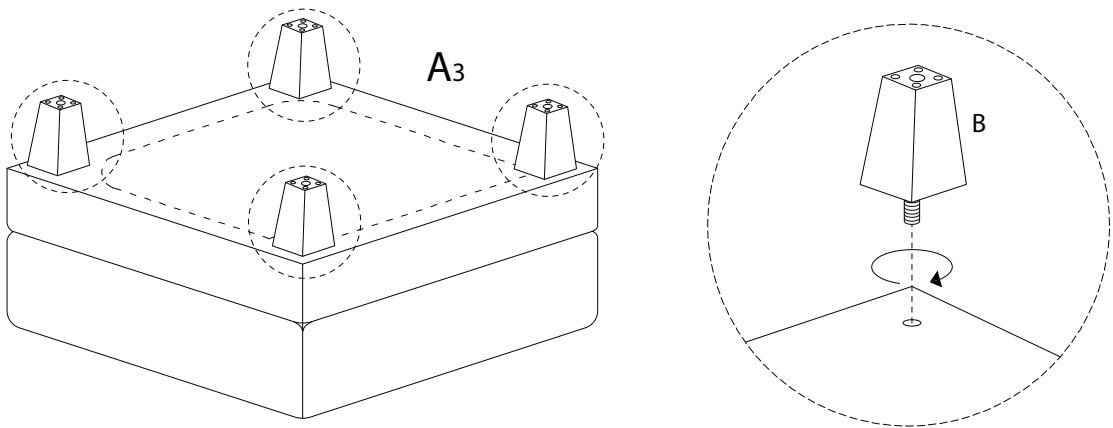
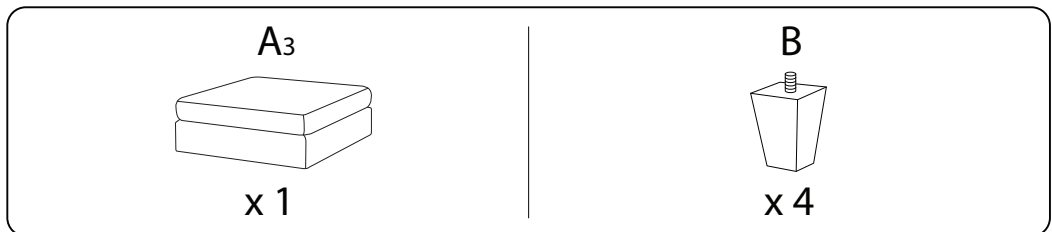


x 4

!



1



!

