

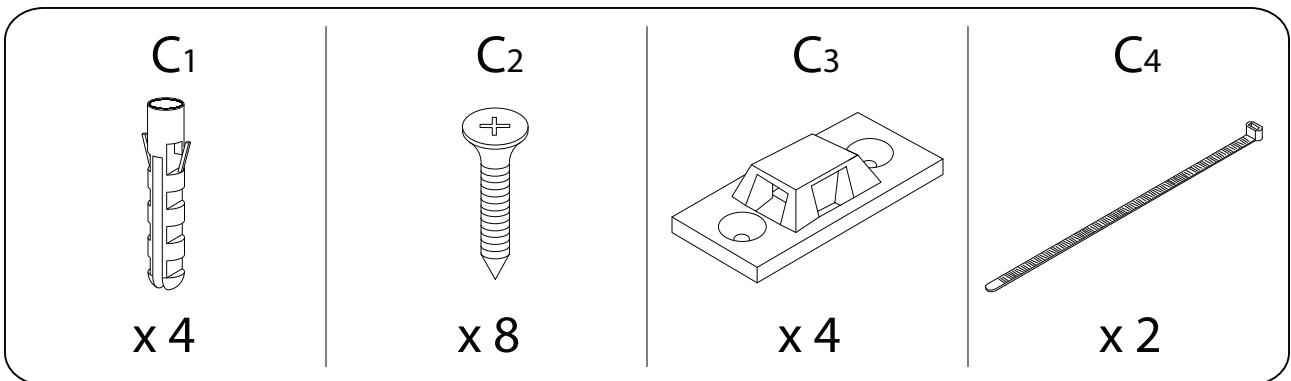
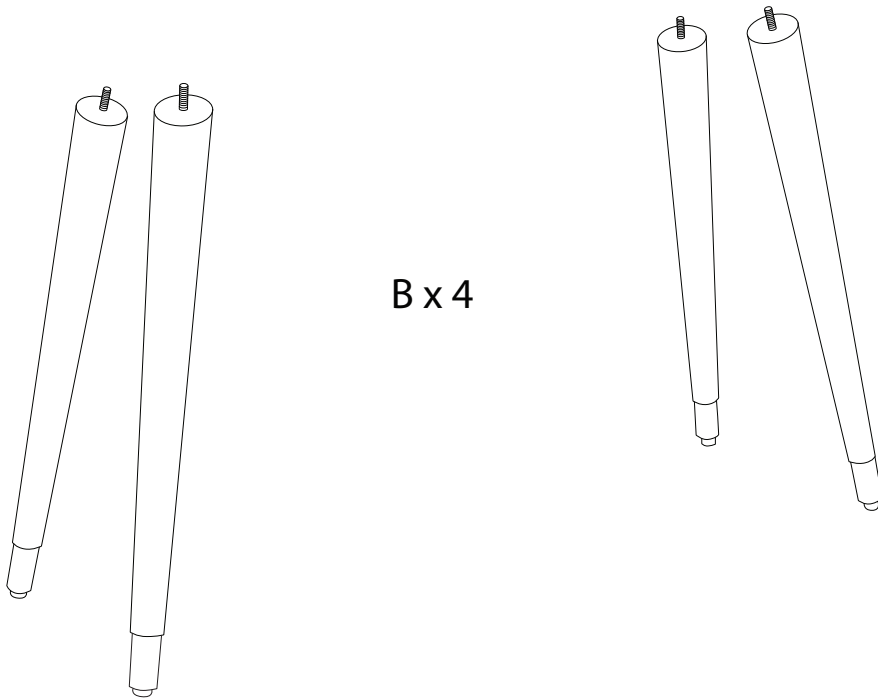
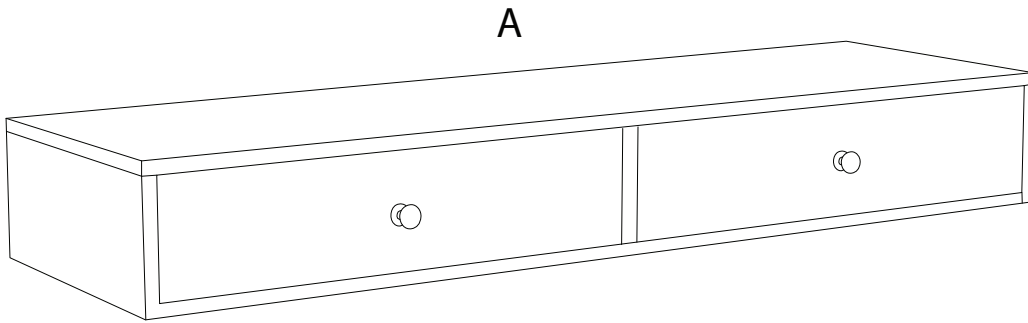
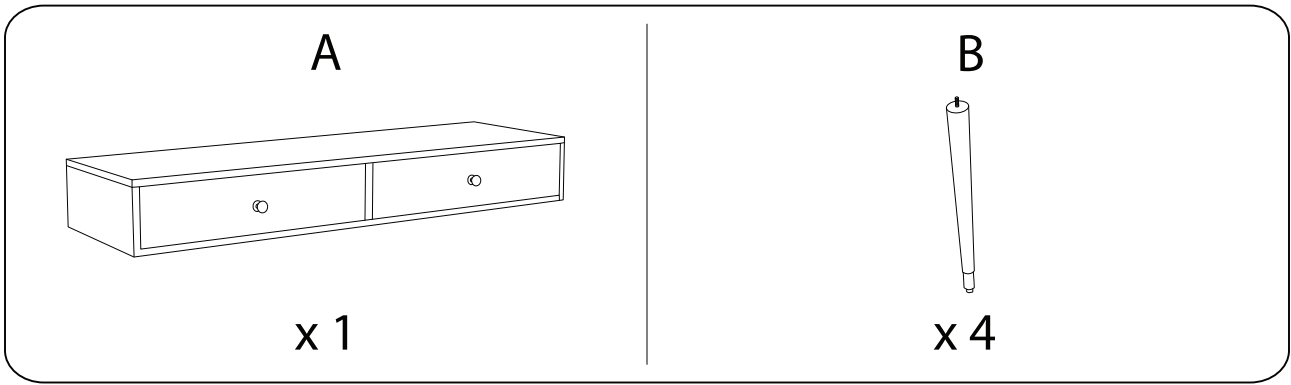
GLENTANA



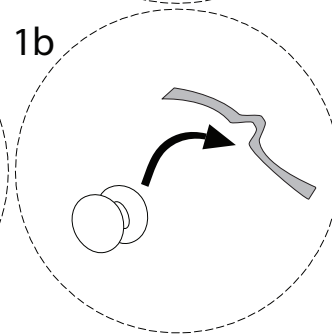
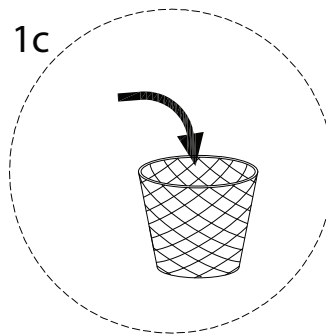
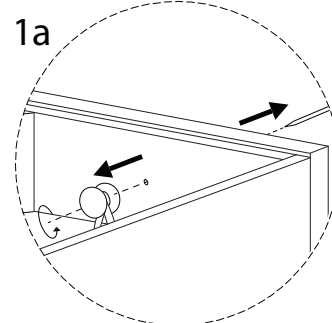
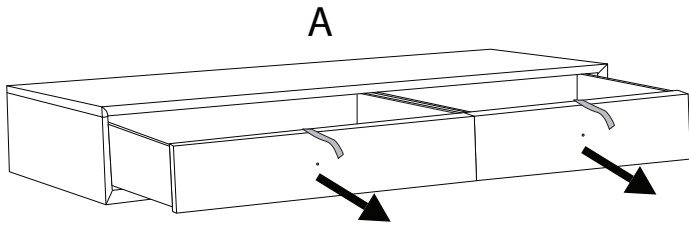


Assembly instructions for step 1/5:

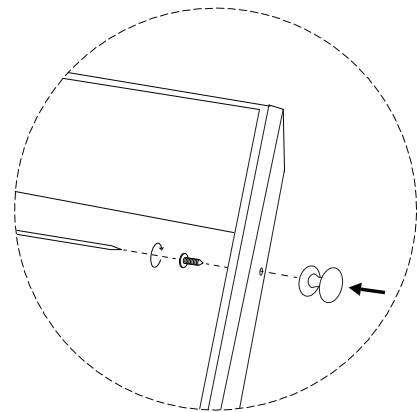
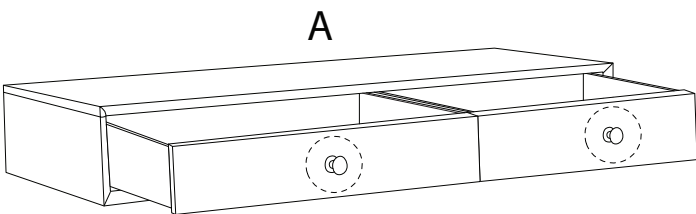
- Tools:** A screwdriver is required. A power drill is not required (indicated by a diagonal line through the drill icon).
- Time:** Estimated assembly time is 30 minutes (indicated by a clock icon).
- Warnings:** Two warning triangles with exclamation marks are present, one above each instruction box.
- Personnel:** Two people are required for assembly (indicated by a person icon and the number 2).



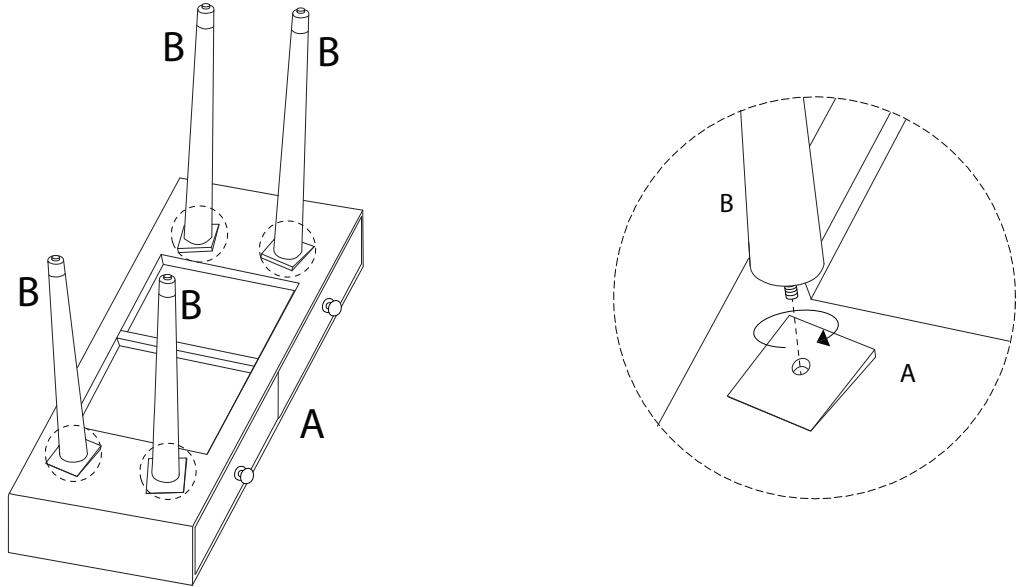
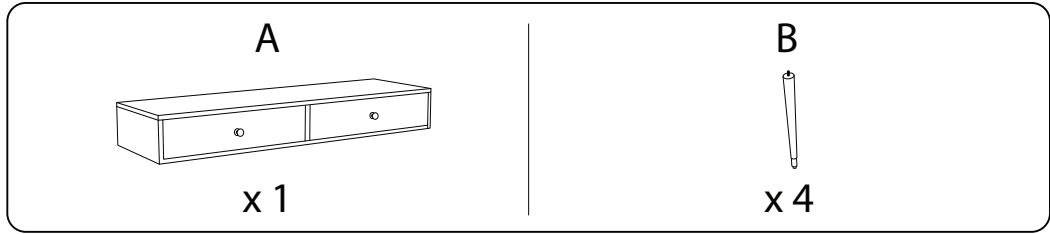
!



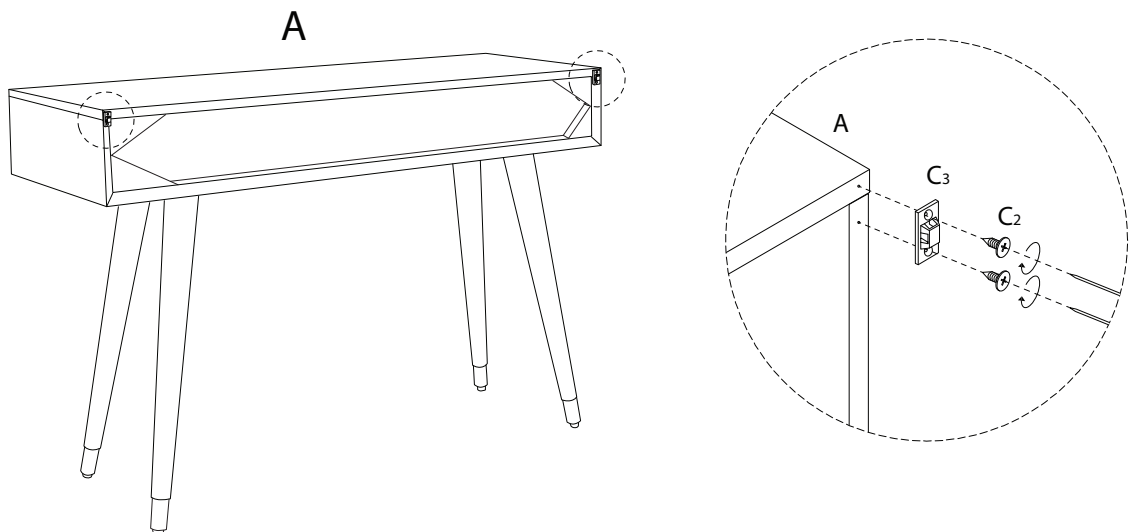
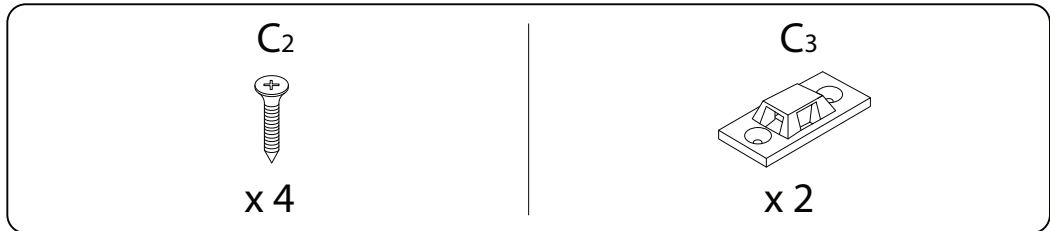
1



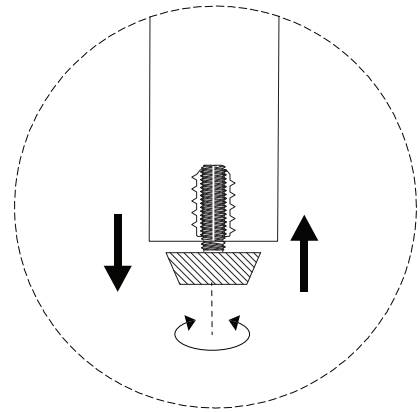
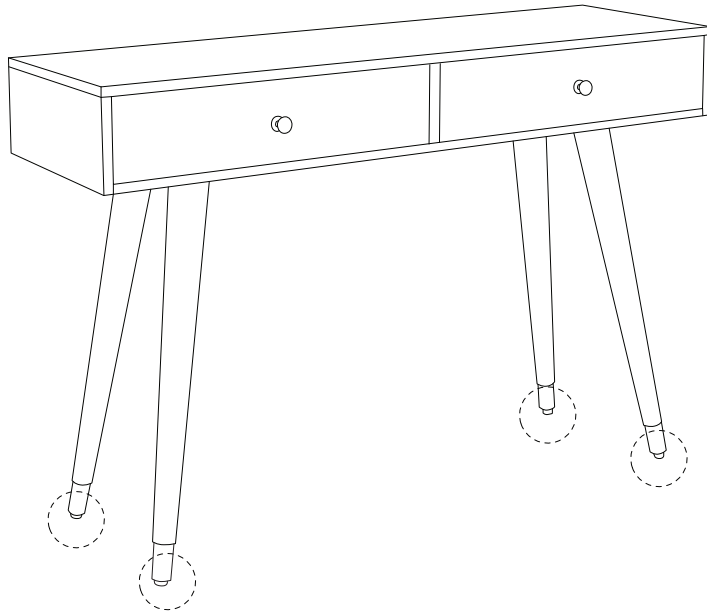
2



3



!



4

