

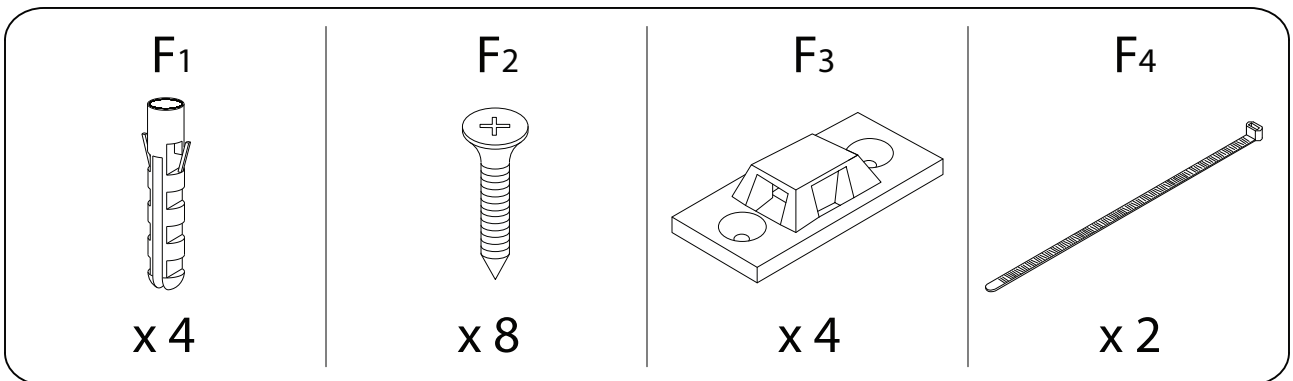
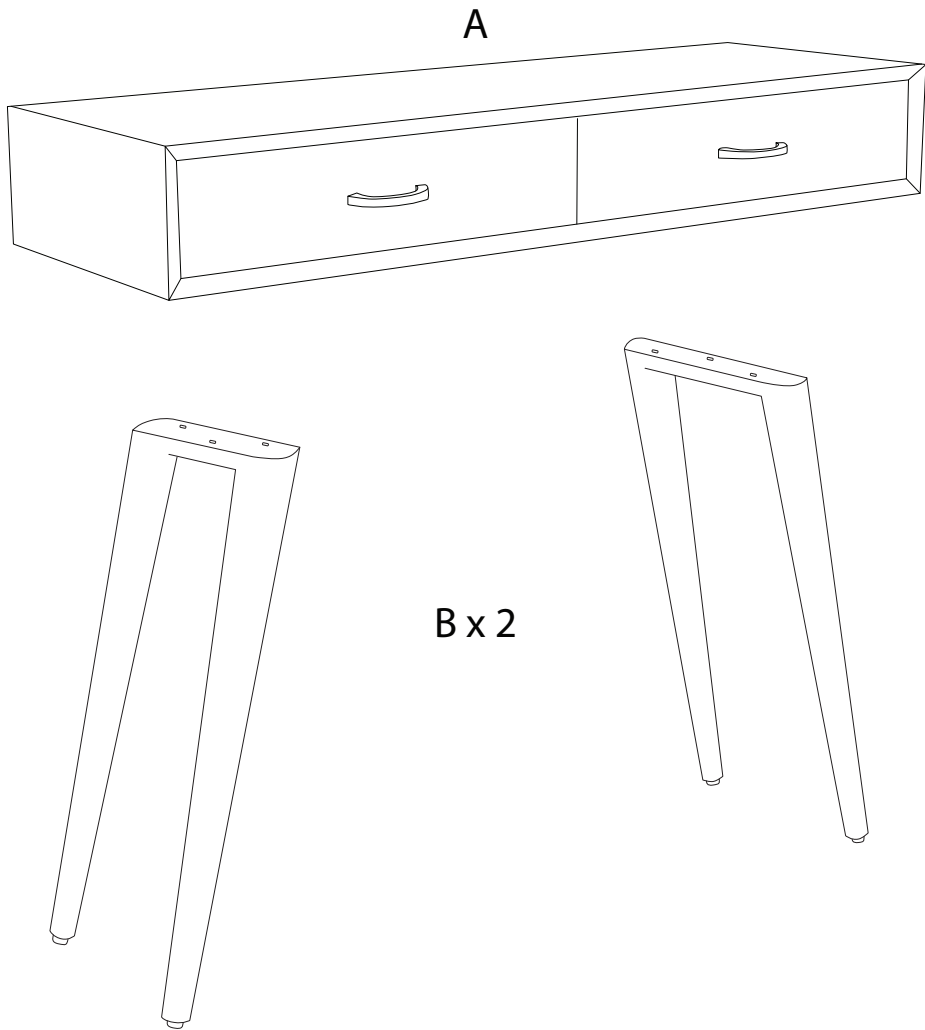
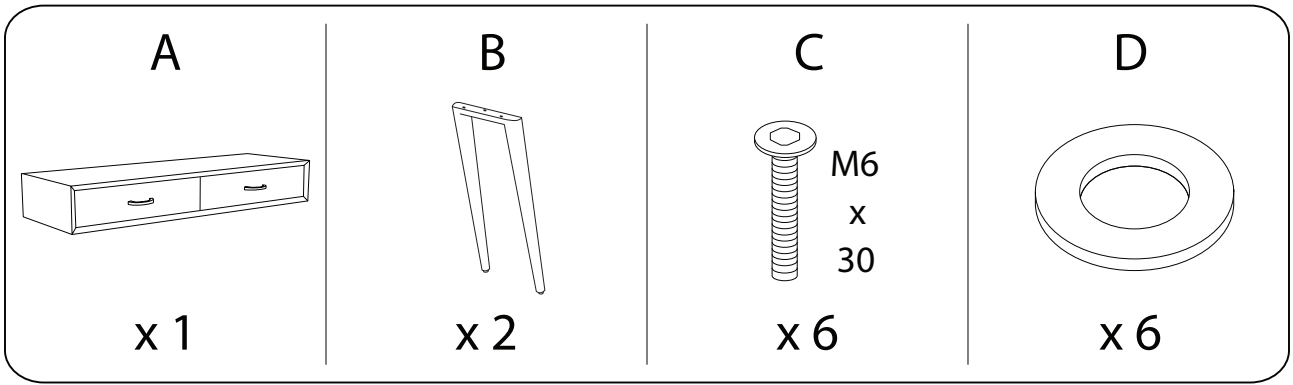
ARABES



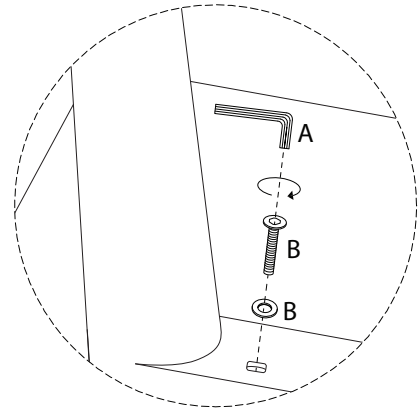
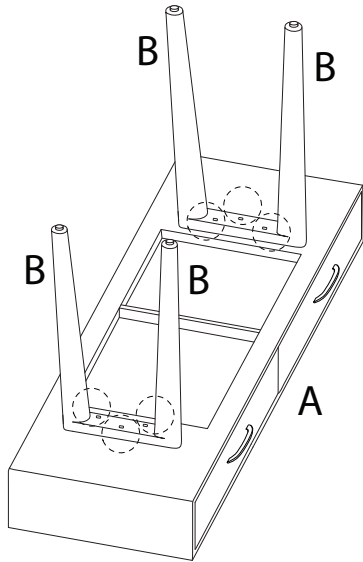
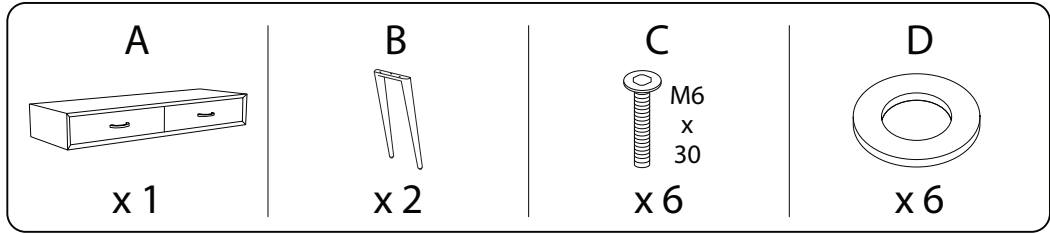


Diagram illustrating assembly steps and safety warnings:

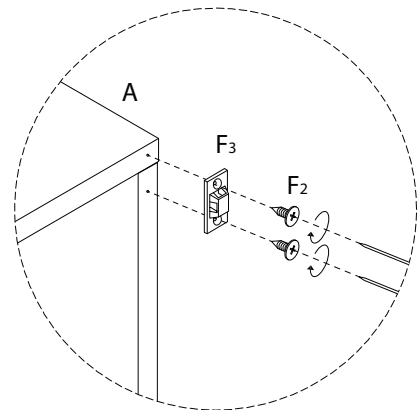
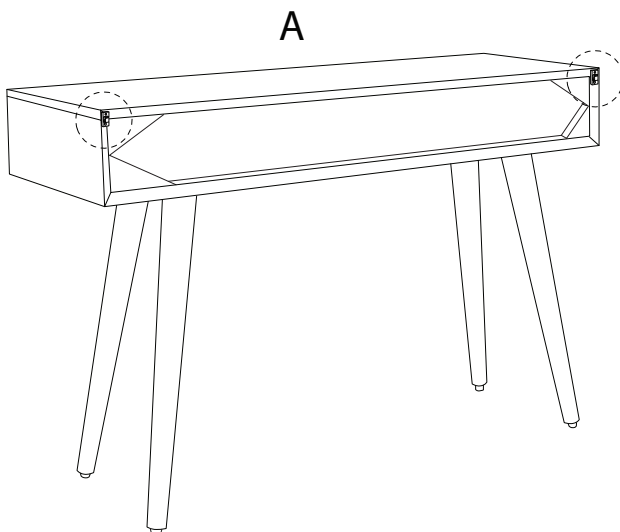
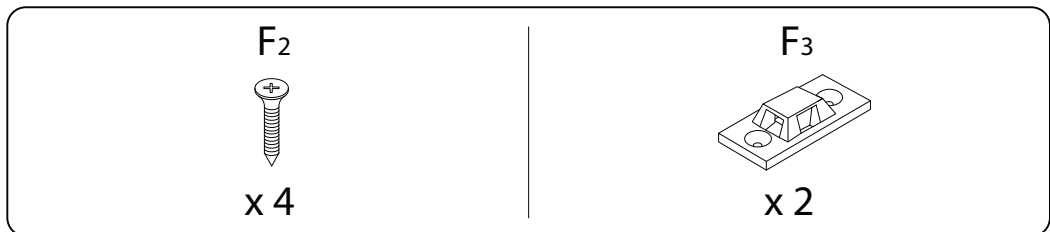
- Step 1:** Shows an L-shaped corner bracket being attached to a surface. A power drill is shown with a diagonal line through it, indicating that a power drill should not be used for this step. A warning triangle with an exclamation mark is present.
- Step 2:** Shows a rectangular panel being attached to a surface. A power drill is shown with a diagonal line through it, indicating that a power drill should not be used for this step. A warning triangle with an exclamation mark is present.
- Time:** A clock icon indicates a duration of 30' (30 minutes).
- Personnel:** An icon of a person indicates that 2 people are required for assembly.



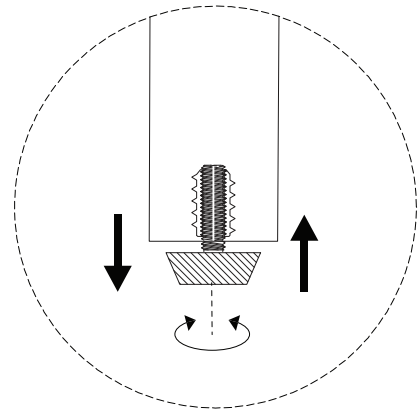
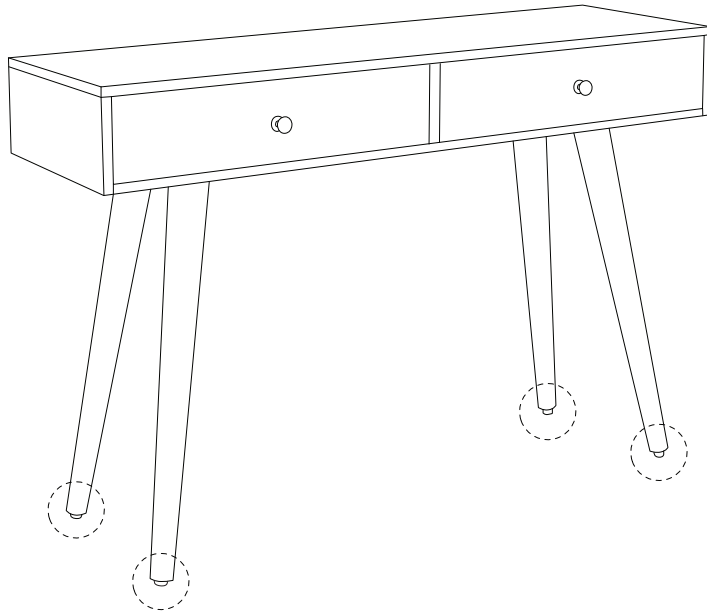
1



2



!



3

