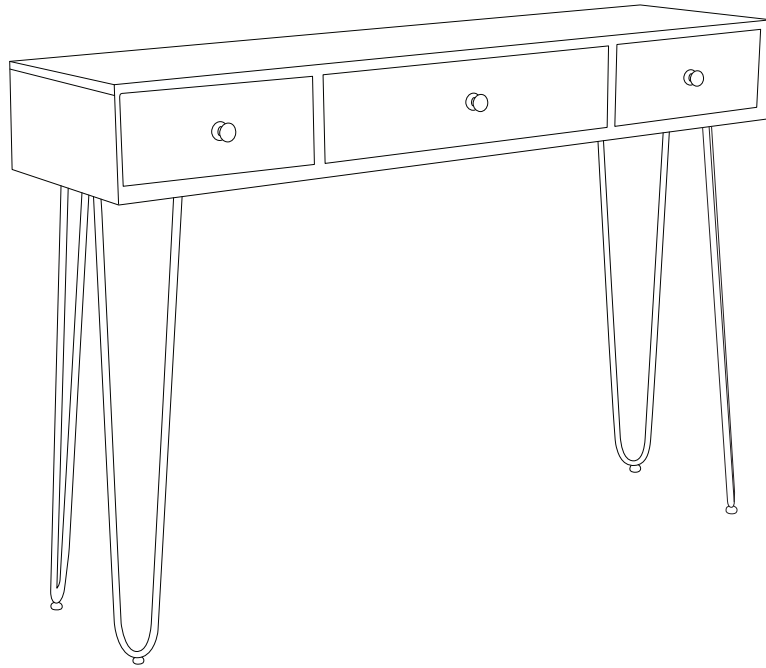


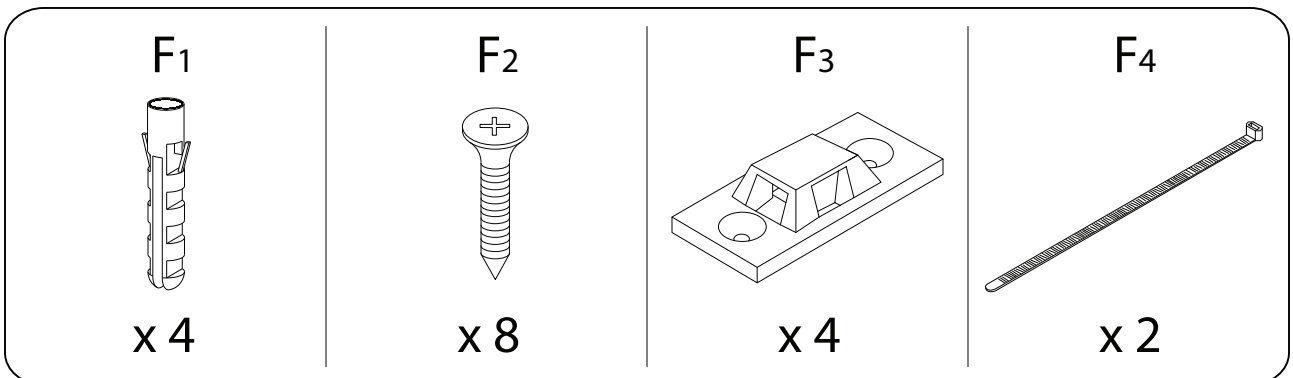
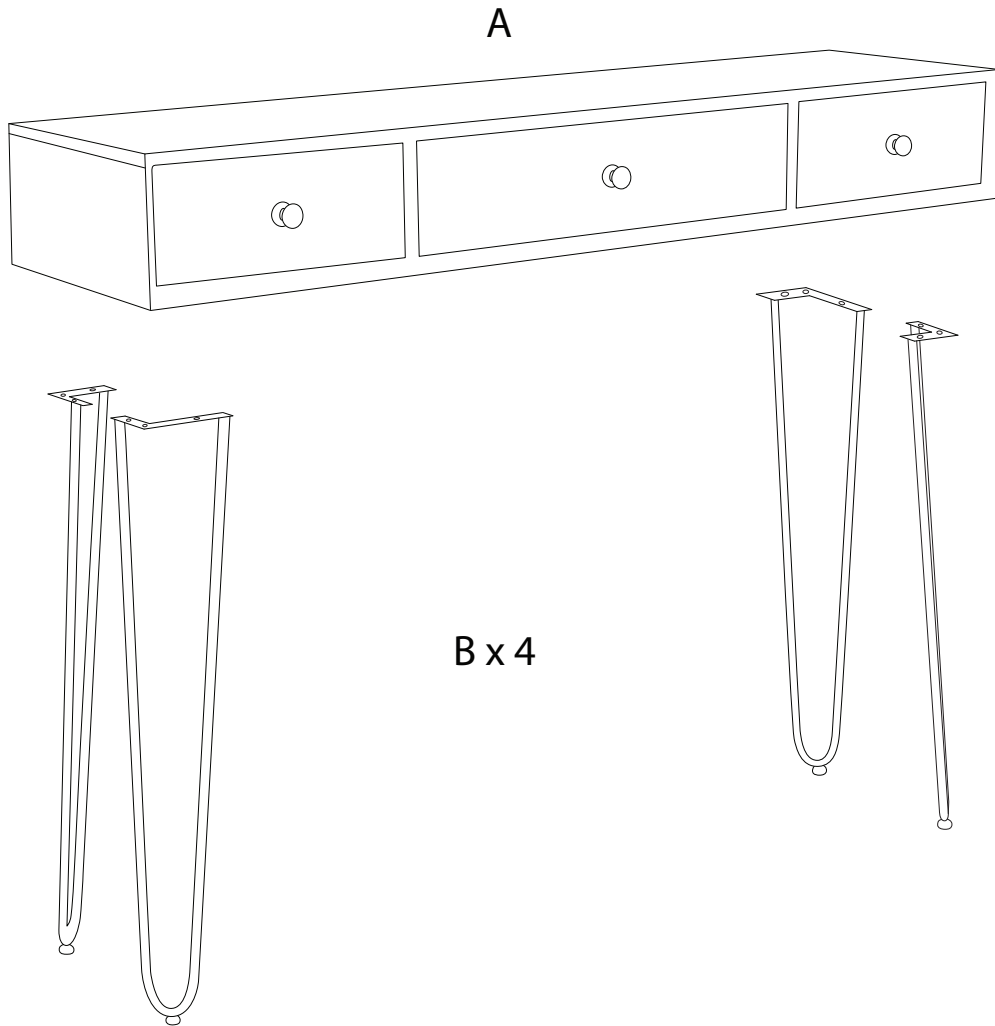
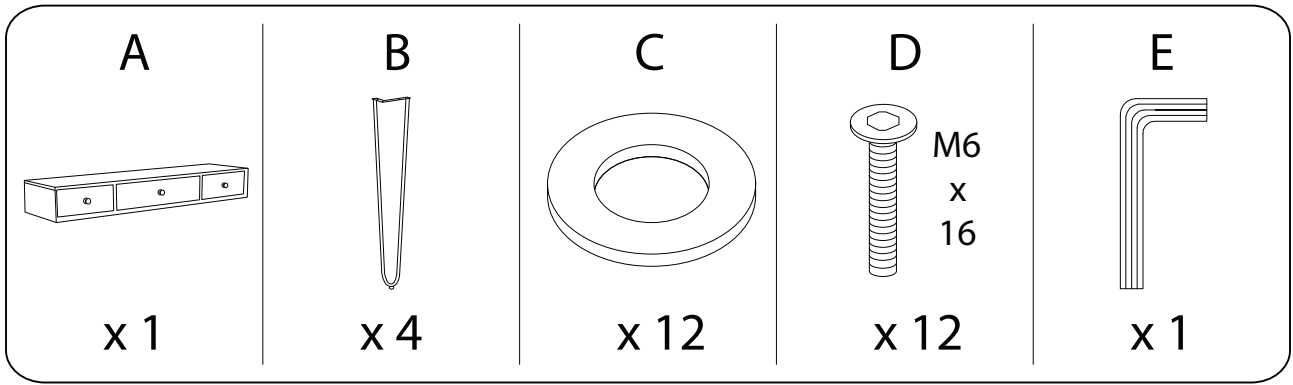
MINTO



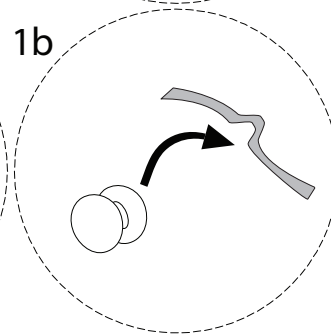
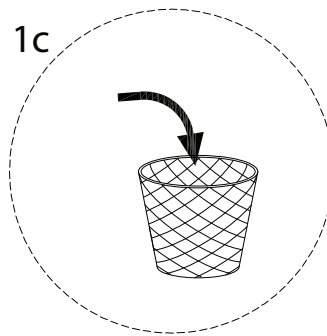
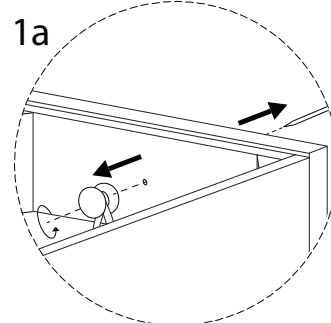
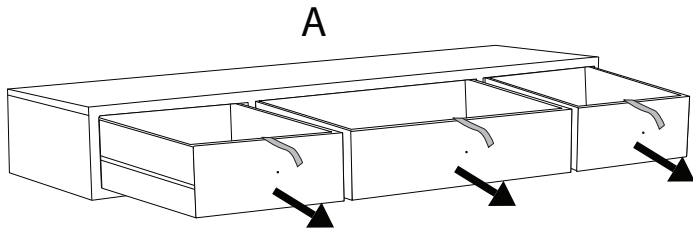


Assembly instructions for step 1/5:

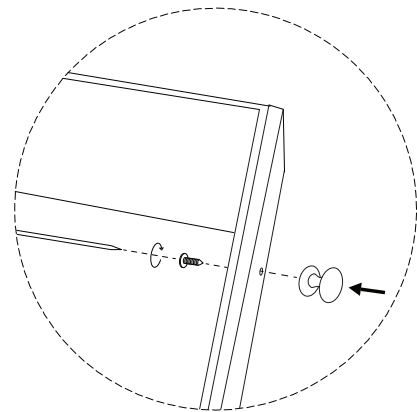
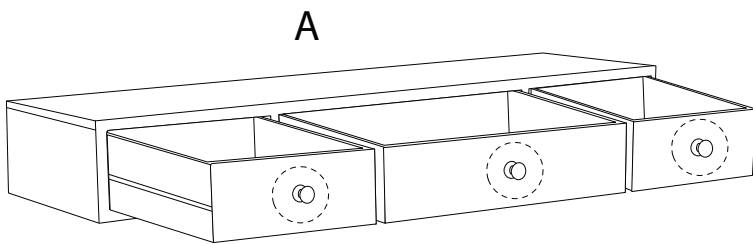
- Tools:** A circular icon contains a screwdriver and an L-shaped Allen key. A power drill is shown with a diagonal line through it, indicating it is not to be used.
- Warning:** A triangle with an exclamation mark.
- Time:** A clock icon with the text "30'" below it, indicating an estimated assembly time of 30 minutes.
- Personnel:** An icon of a person with the number "2" below it, indicating that two people are required for assembly.



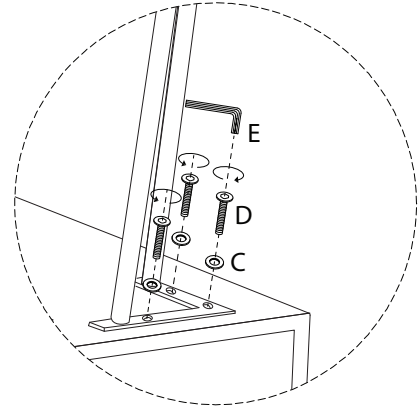
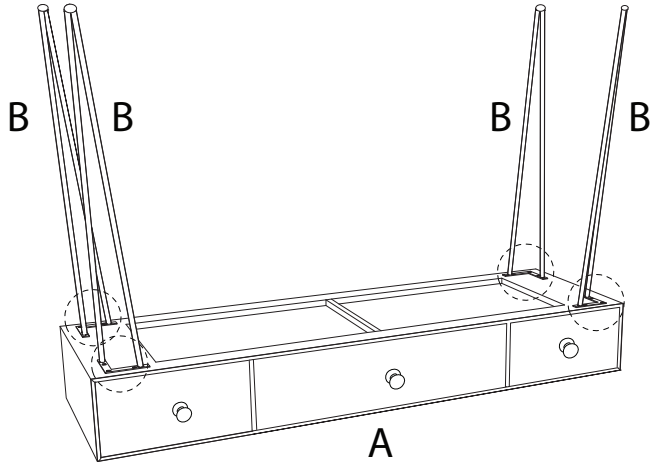
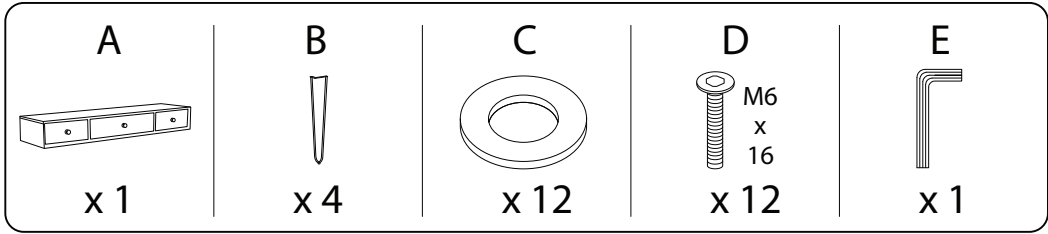
!



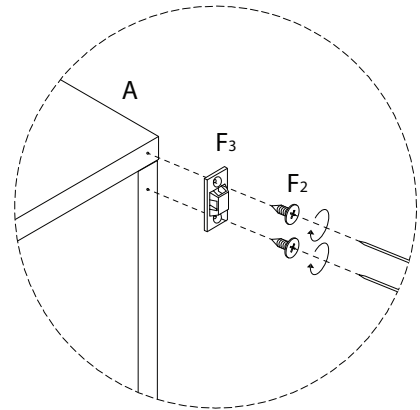
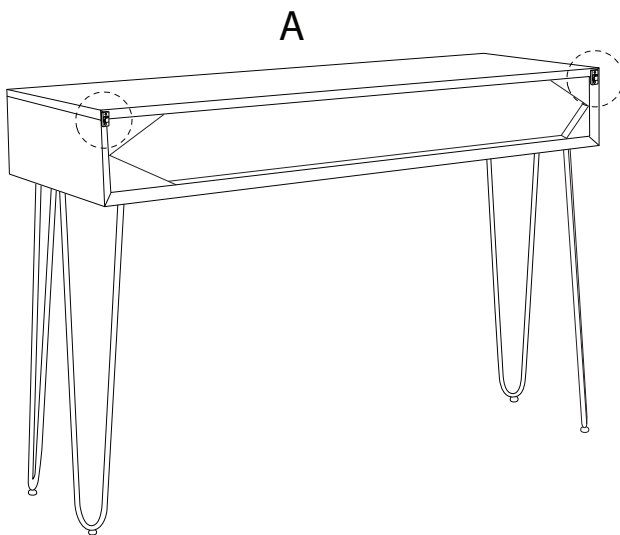
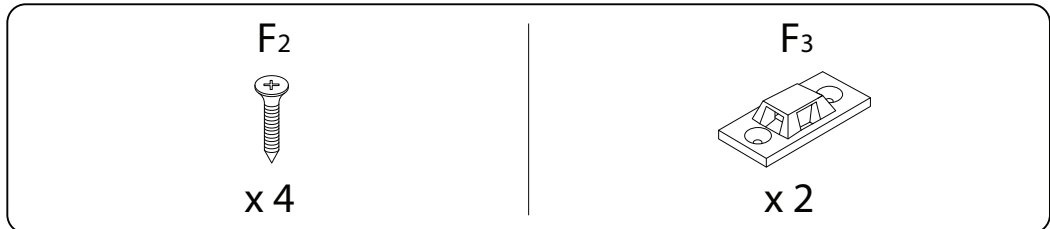
1



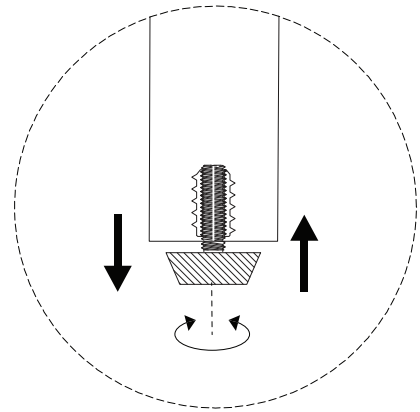
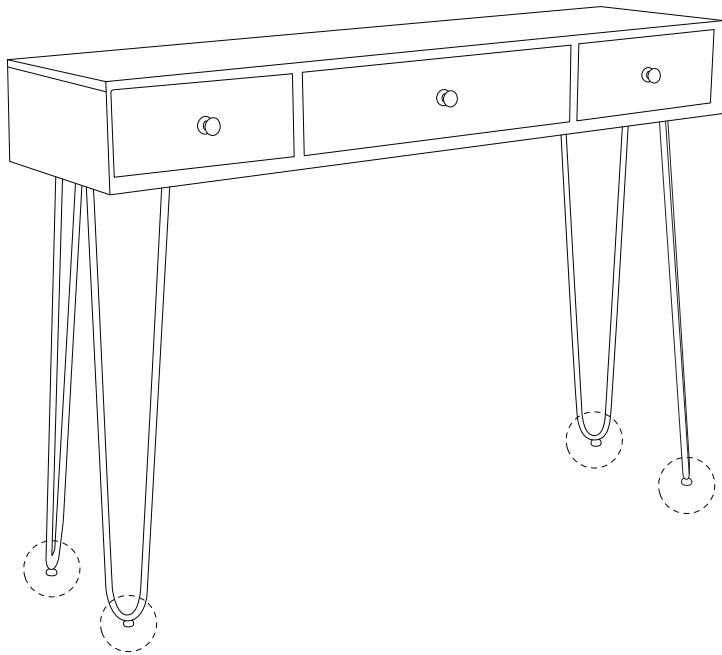
2



3



!



4

