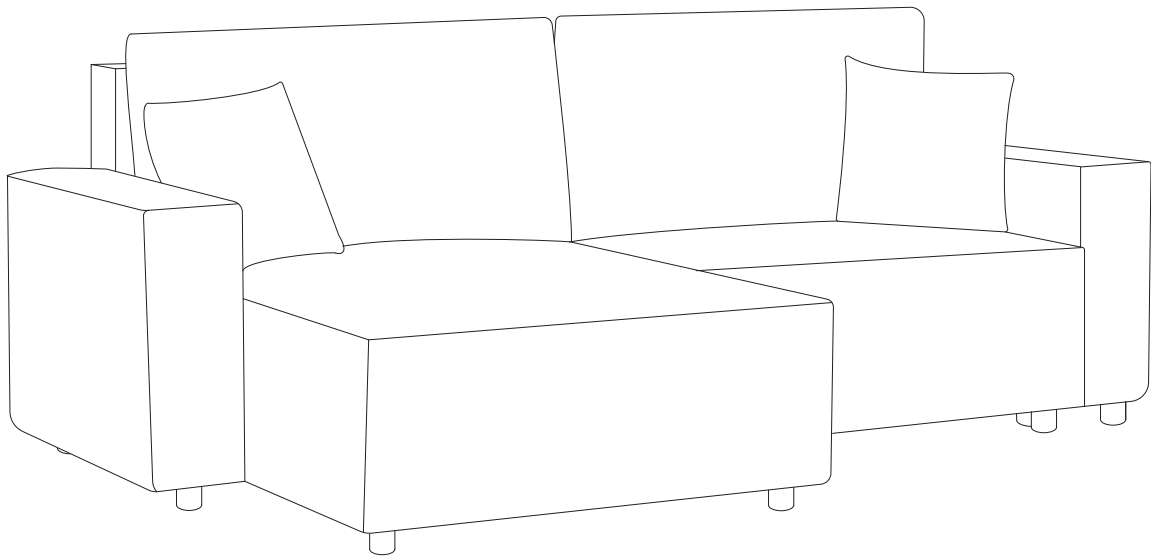
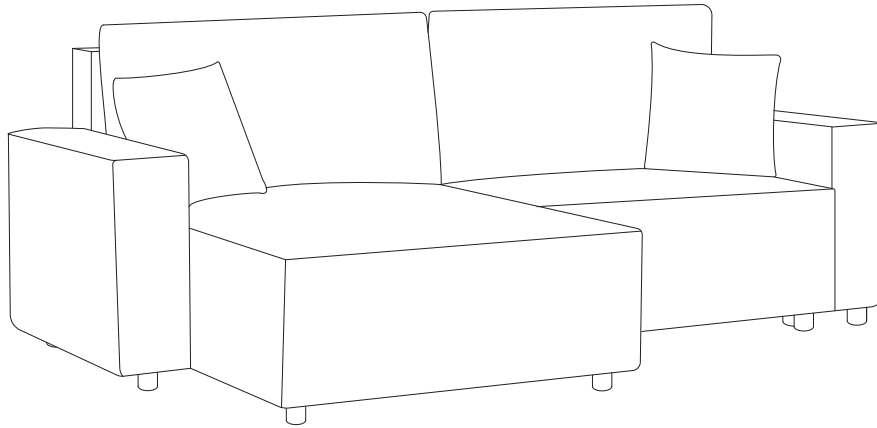
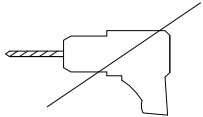
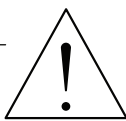
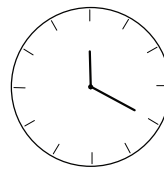
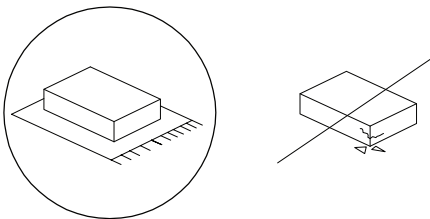

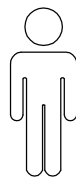
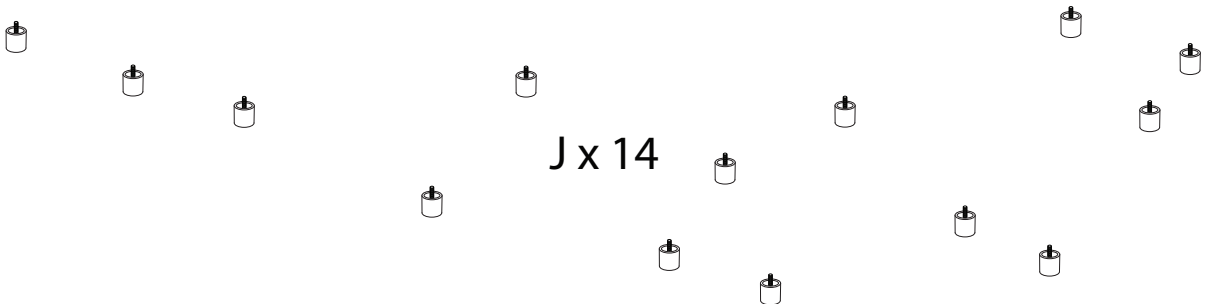
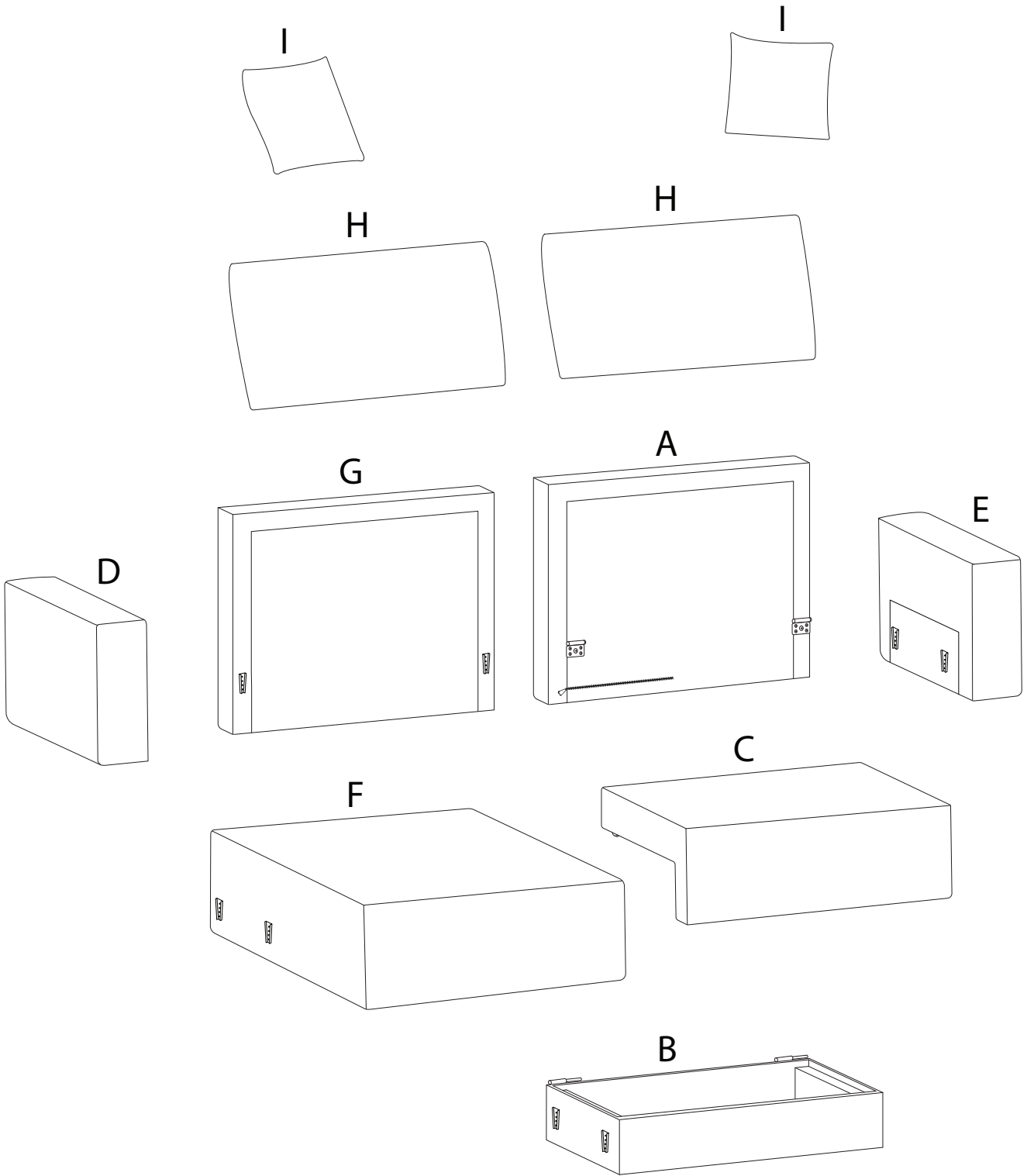


# KARILA

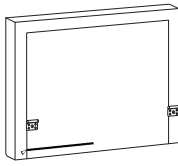




		
		20'
		
		2



A



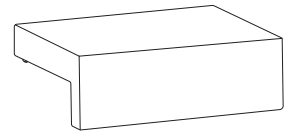
x 1

B



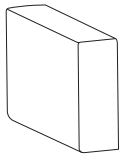
x 1

C



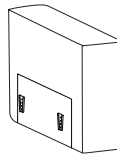
x 1

D



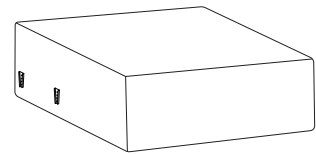
x 1

E



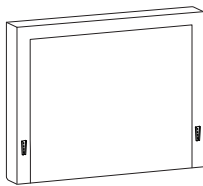
x 1

F



x 1

G



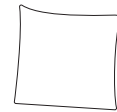
x 1

H



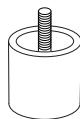
x 2

I



x 2

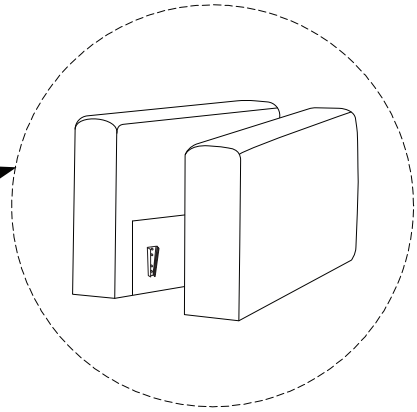
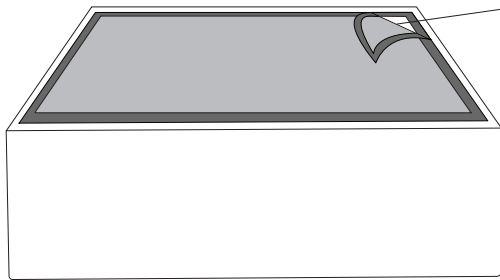
J



x 14

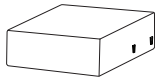
!

F



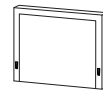
1

F



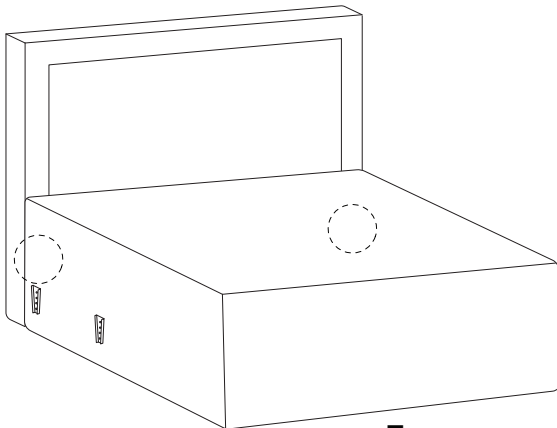
x 1

G

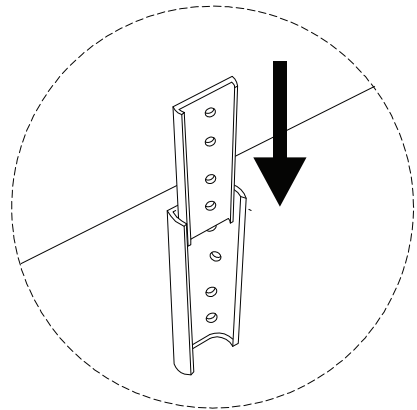


x 1

G



F



2

A

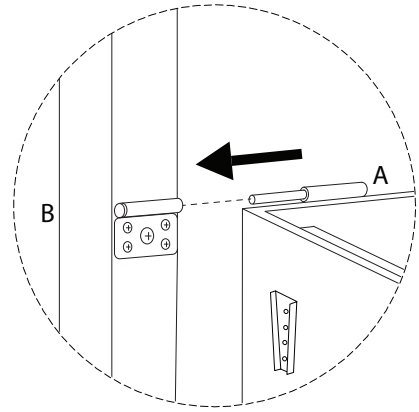
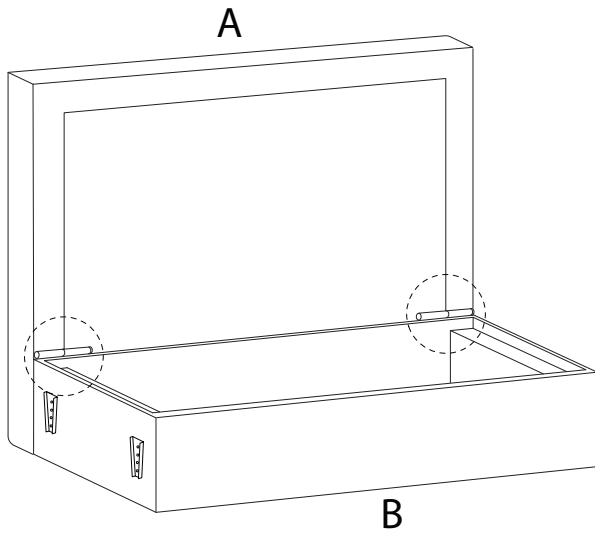


x 1

B



x 1

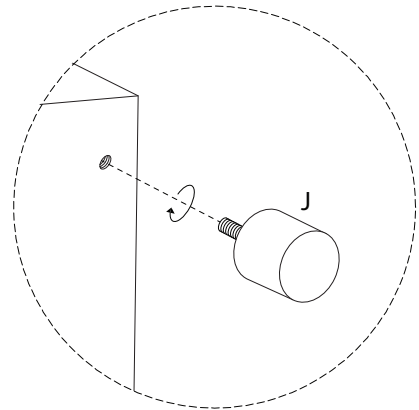
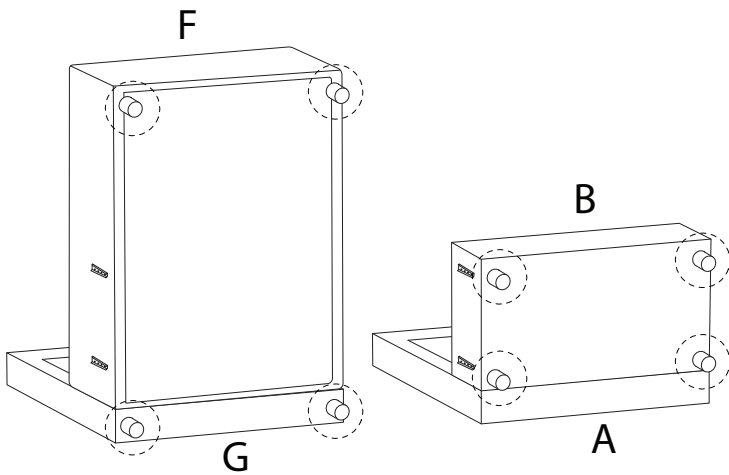


3

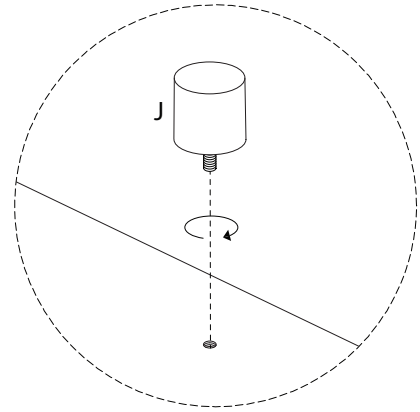
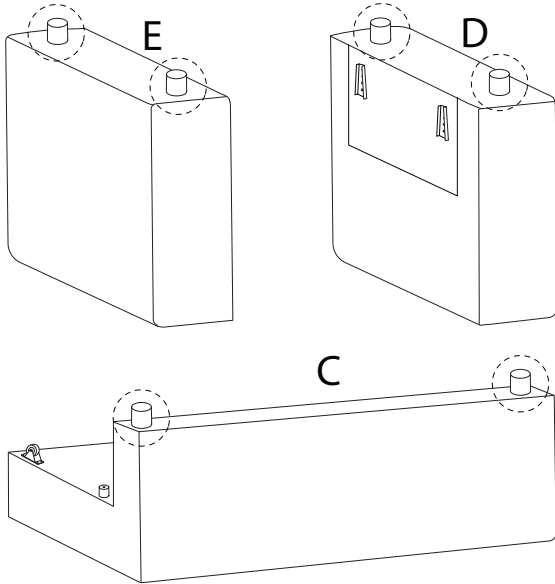
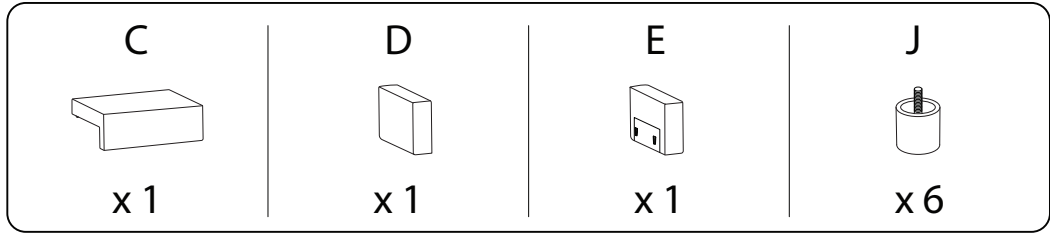
J



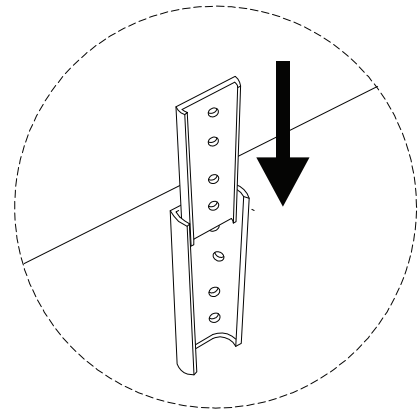
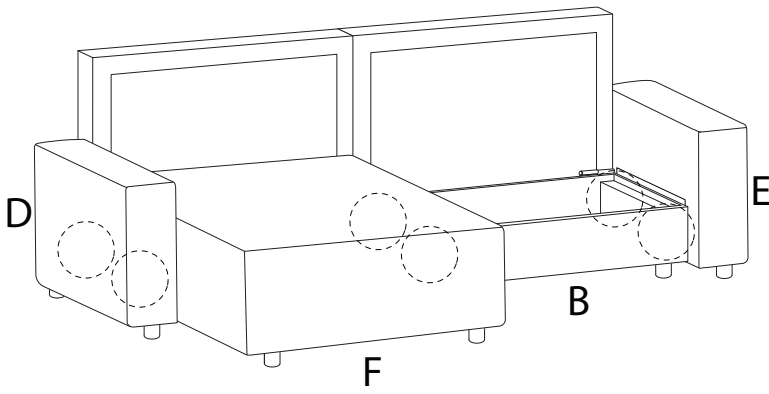
x 8



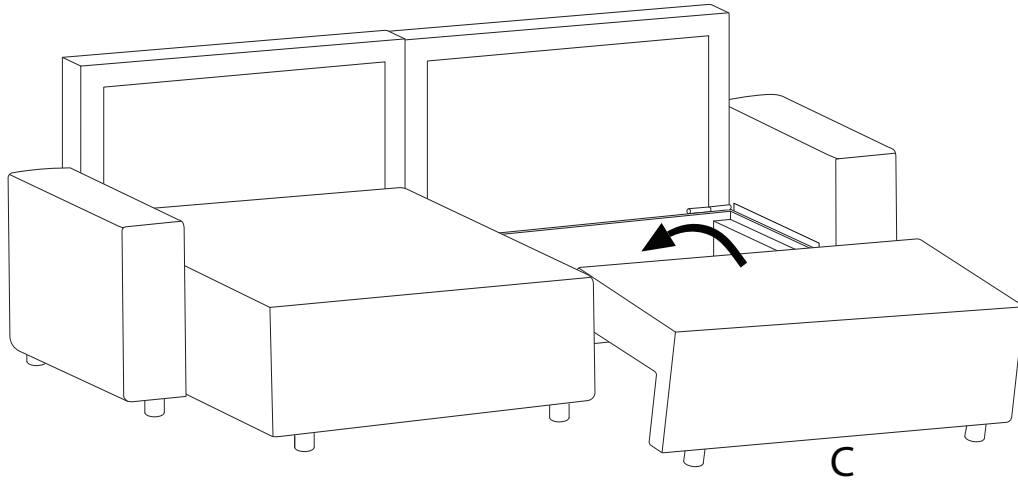
4



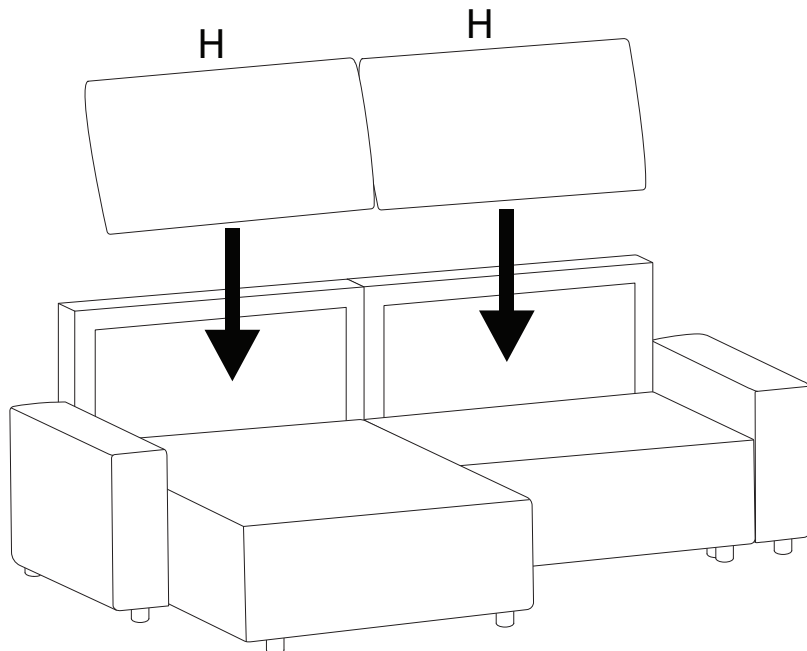
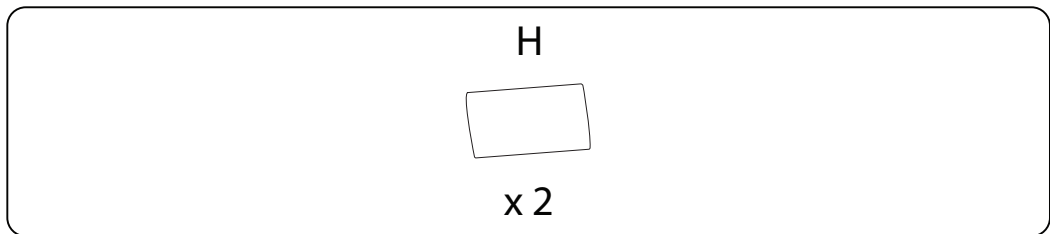
5



6



7



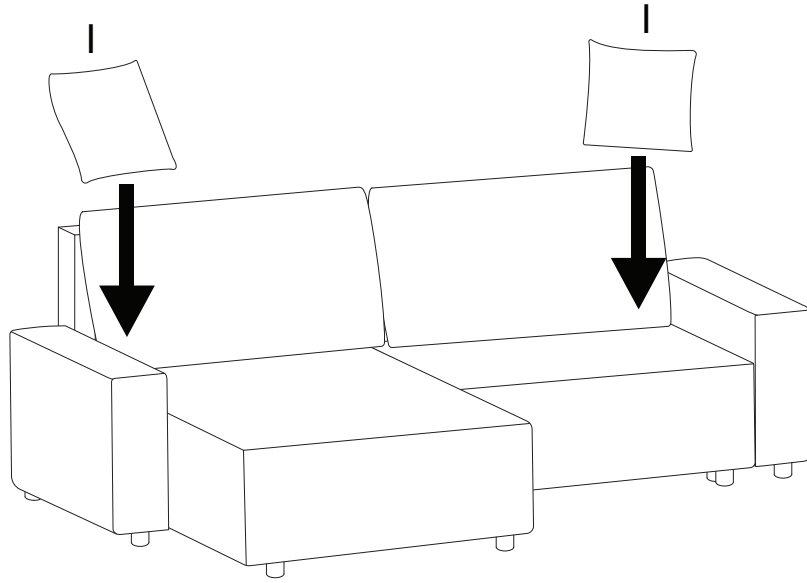


8

1



x2



!

