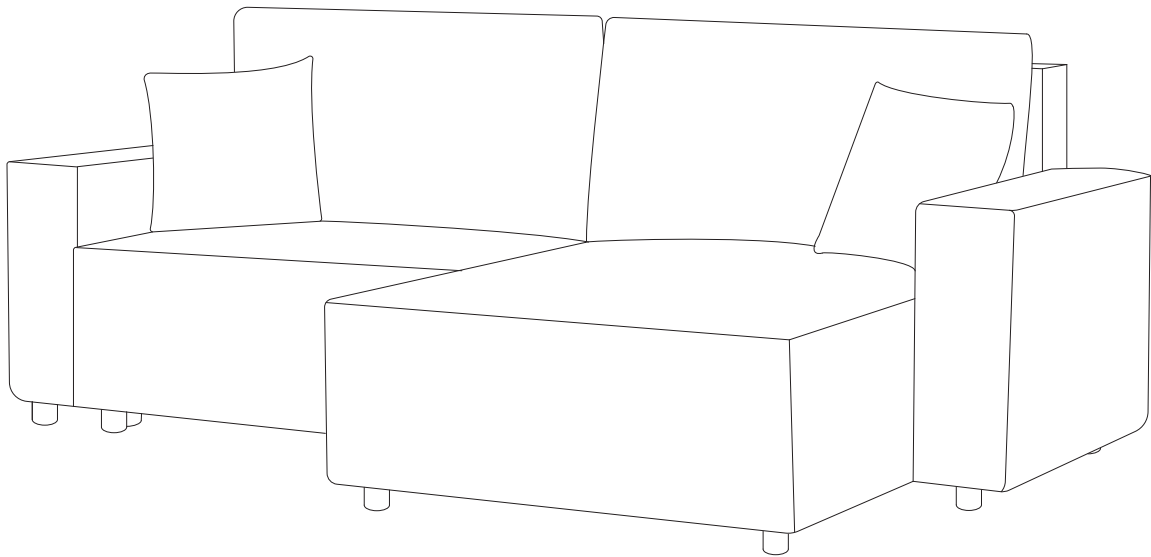


KARILA



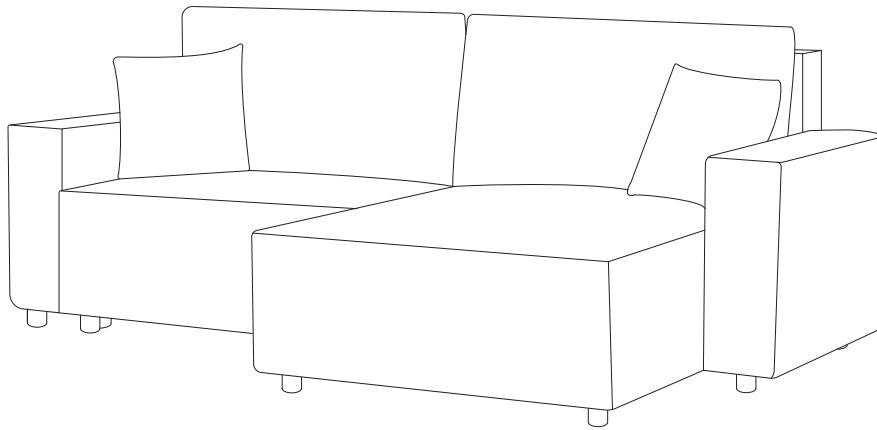
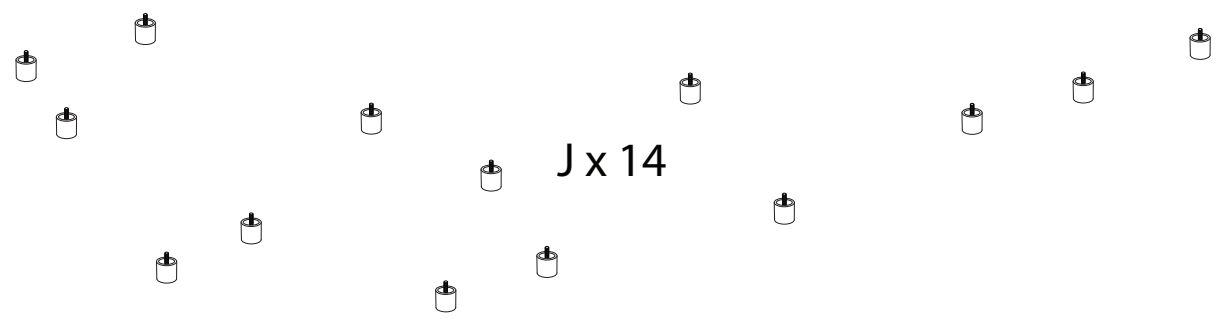
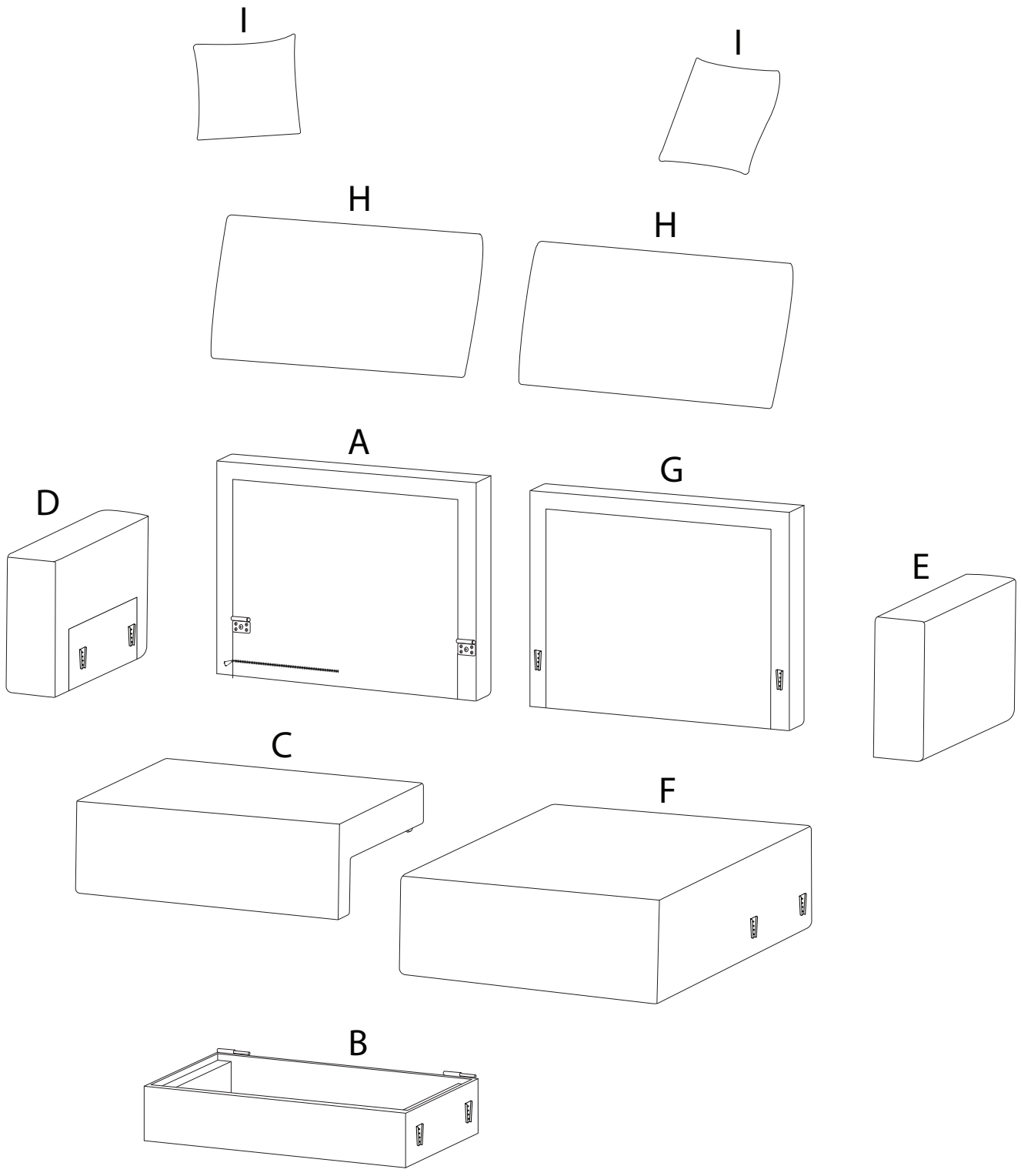
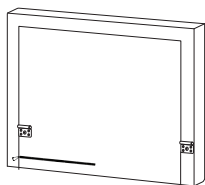


Diagram illustrating assembly instructions and safety warnings:

- Warning 1:** A crossed-out power drill icon indicates that power tools should not be used for assembly.
- Warning 2:** A crossed-out icon of a block being drilled into a surface indicates that the furniture should not be attached to a wall or ceiling.
- Time:** A clock icon with the text "20'" indicates an estimated assembly time of 20 minutes.
- Personnel:** An icon of a person with the number "2" below it indicates that two people are required for assembly.



A



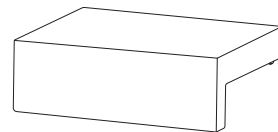
x 1

B



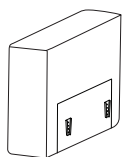
x 1

C



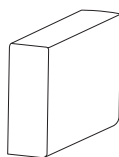
x 1

D



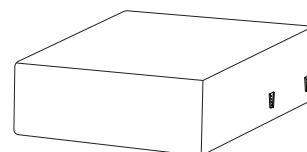
x 1

E



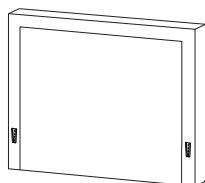
x 1

F



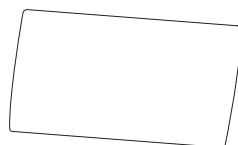
x 1

G



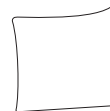
x 1

H



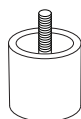
x 2

I



x 2

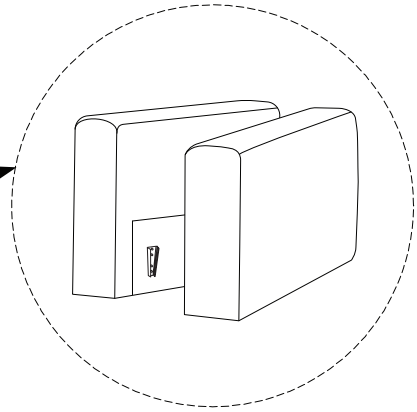
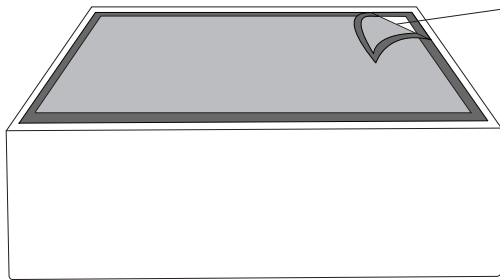
J



x 14

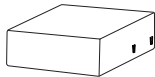
!

F



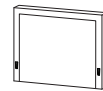
1

F



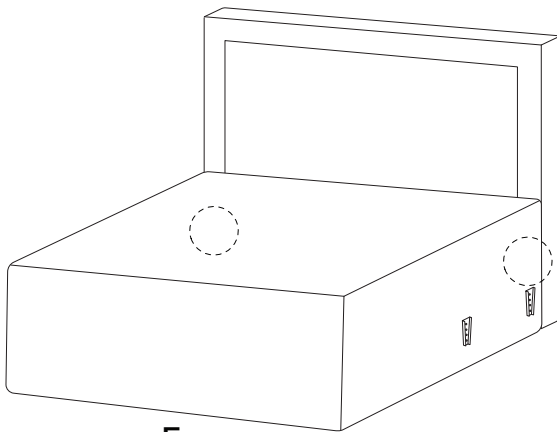
x 1

G

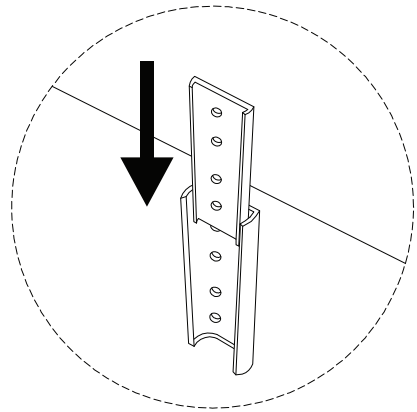


x 1

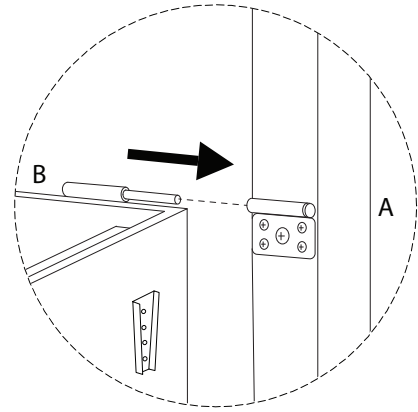
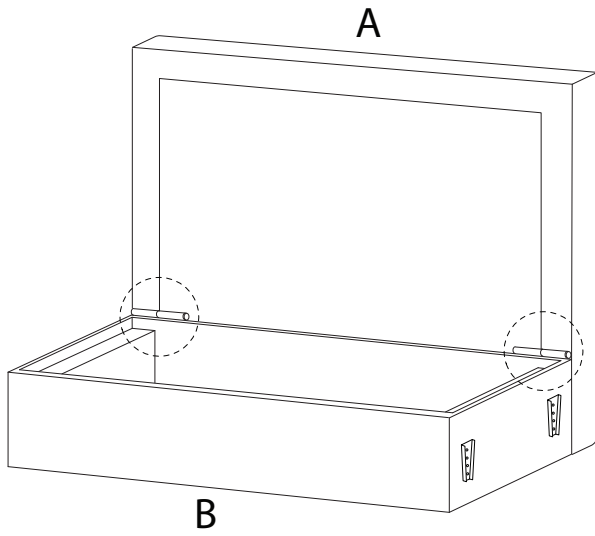
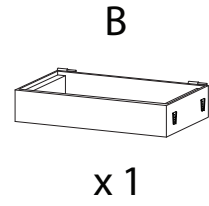
G



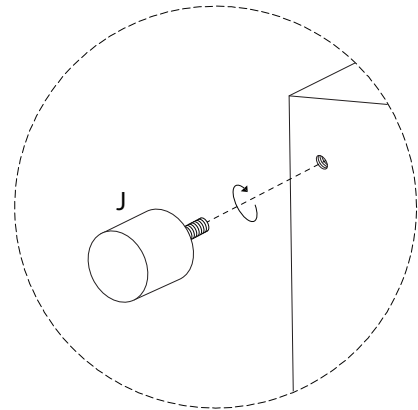
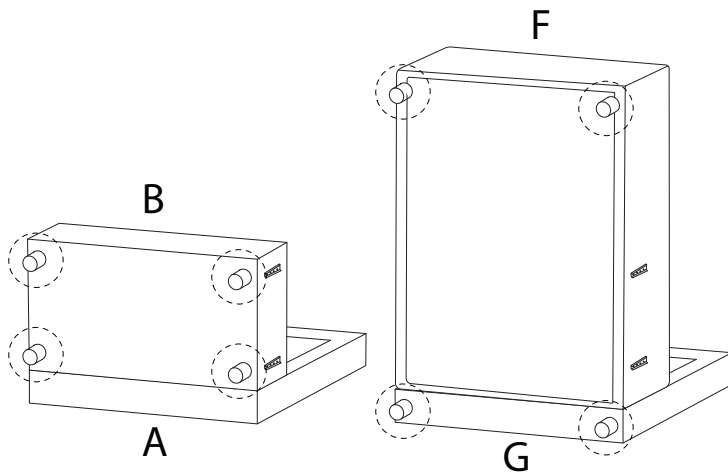
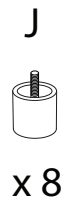
F



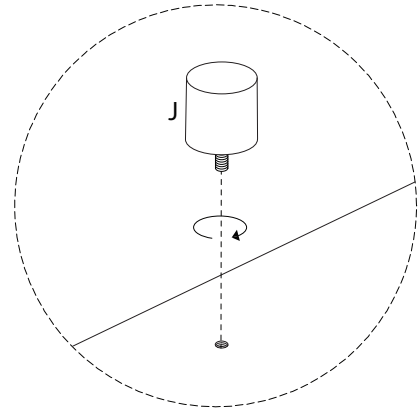
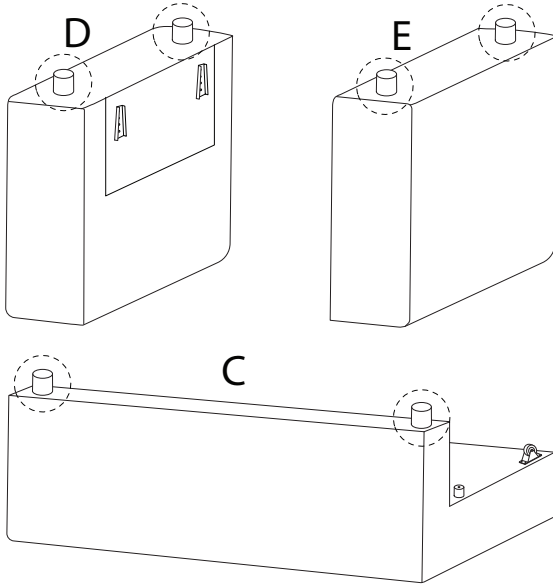
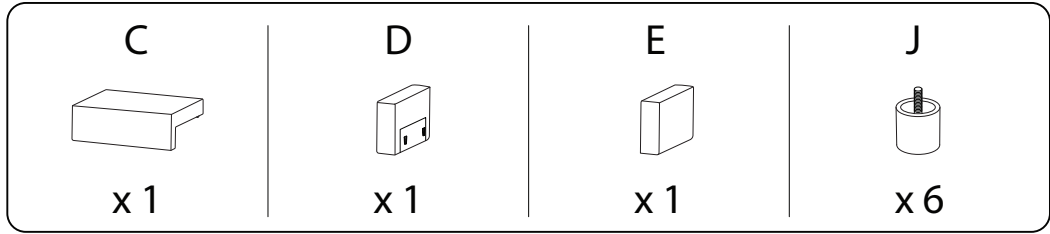
2



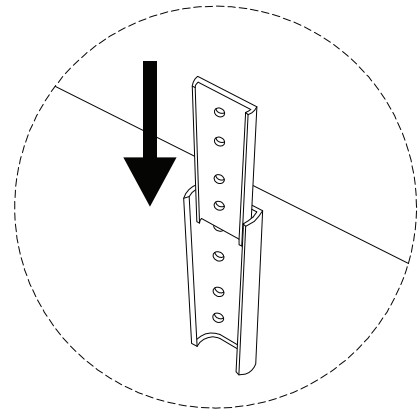
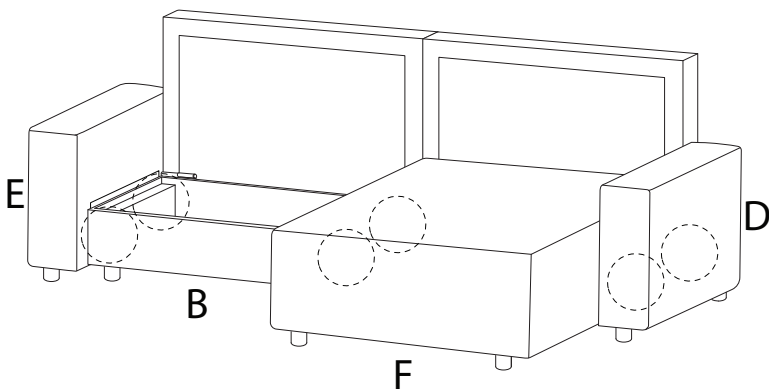
3



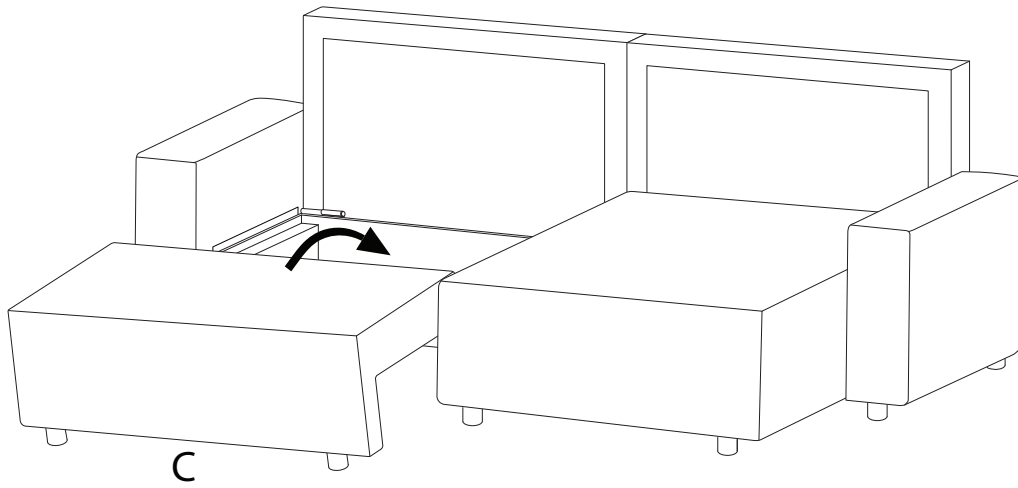
4



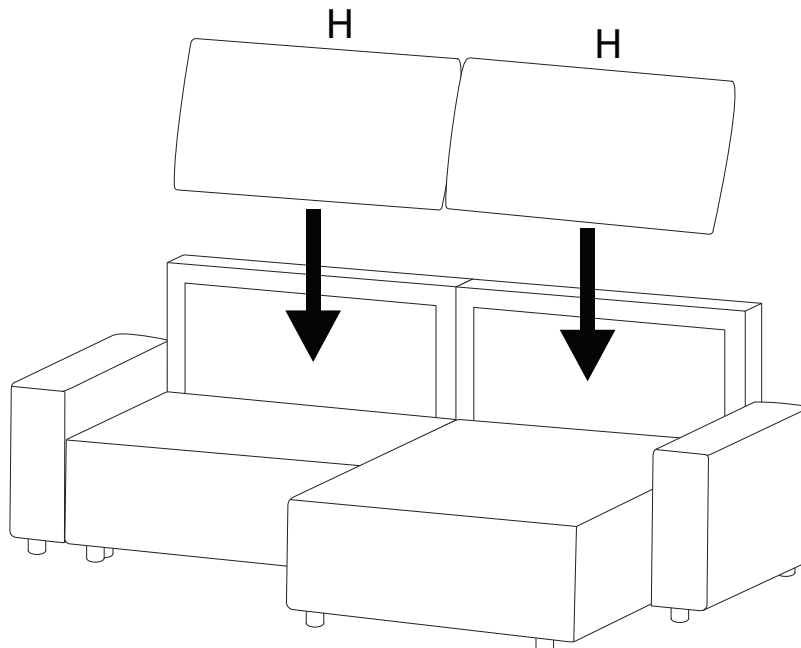
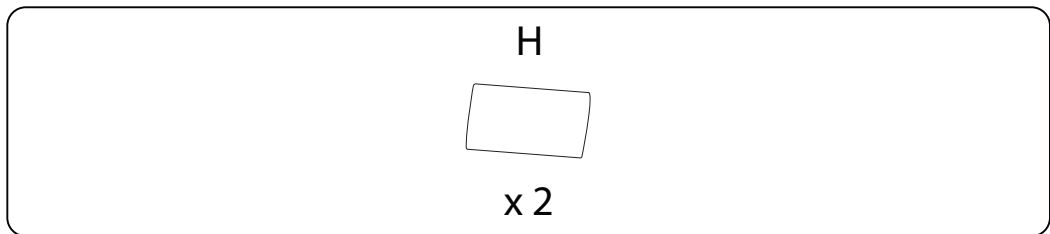
5



6



7

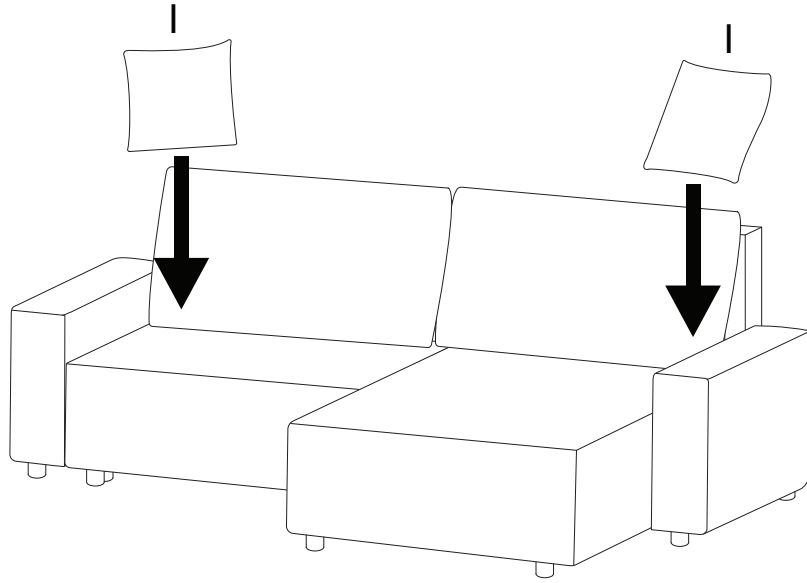


8

I



x2



!

