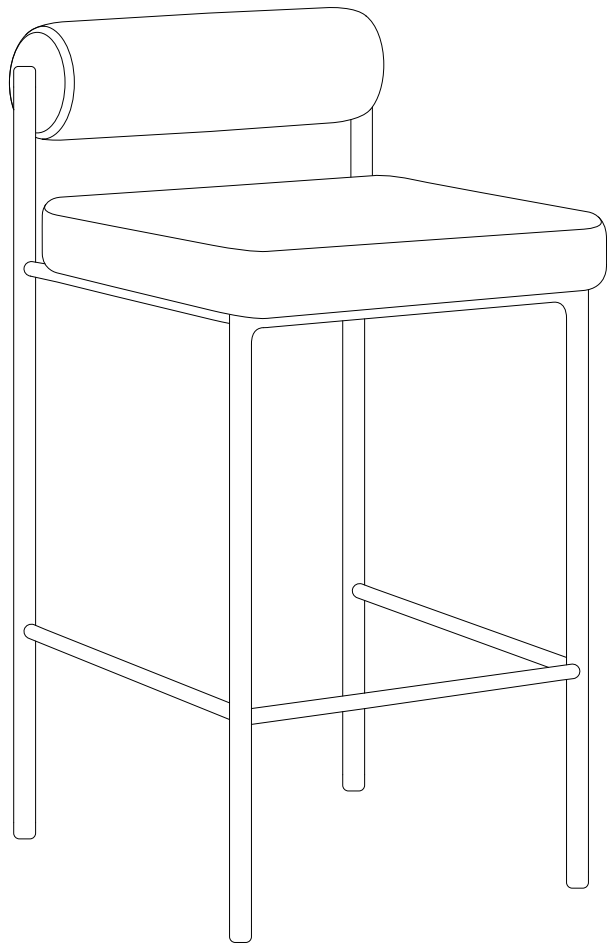


AMAYA



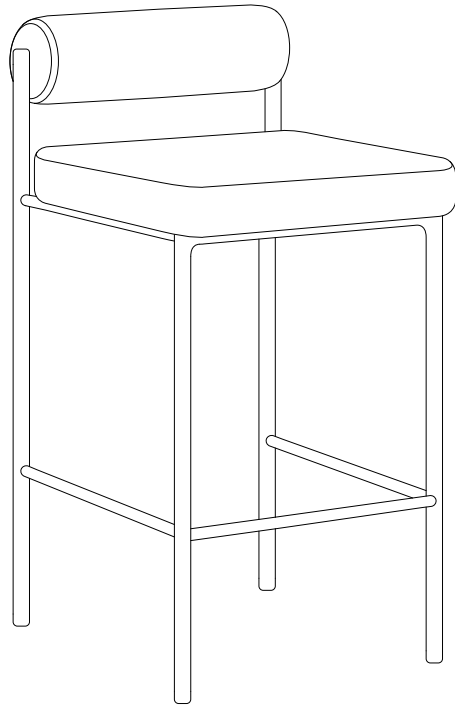
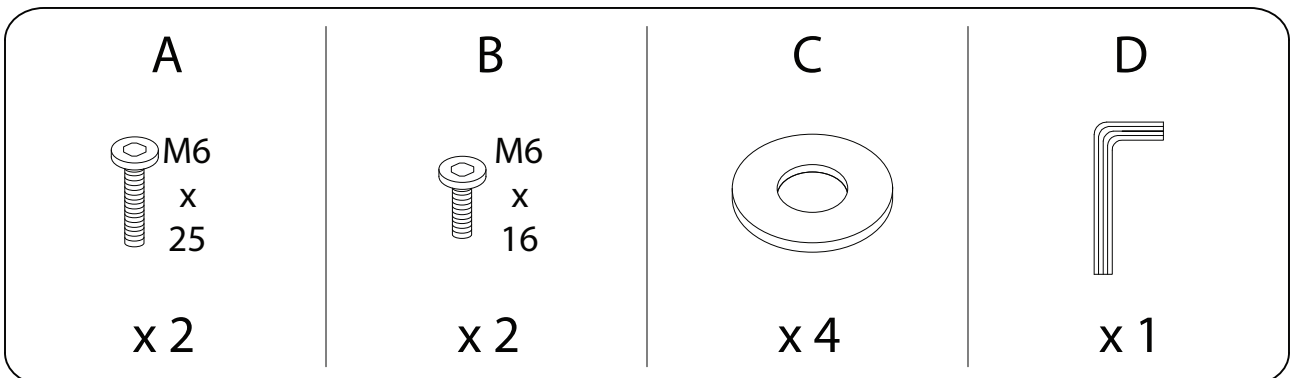
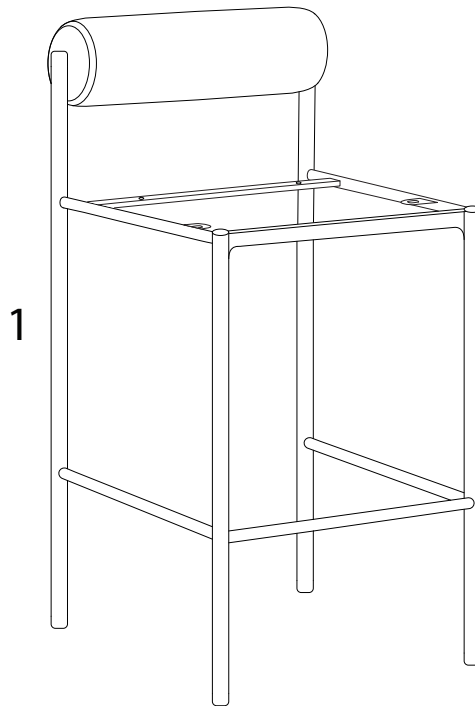
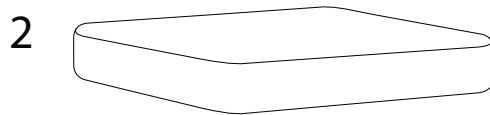
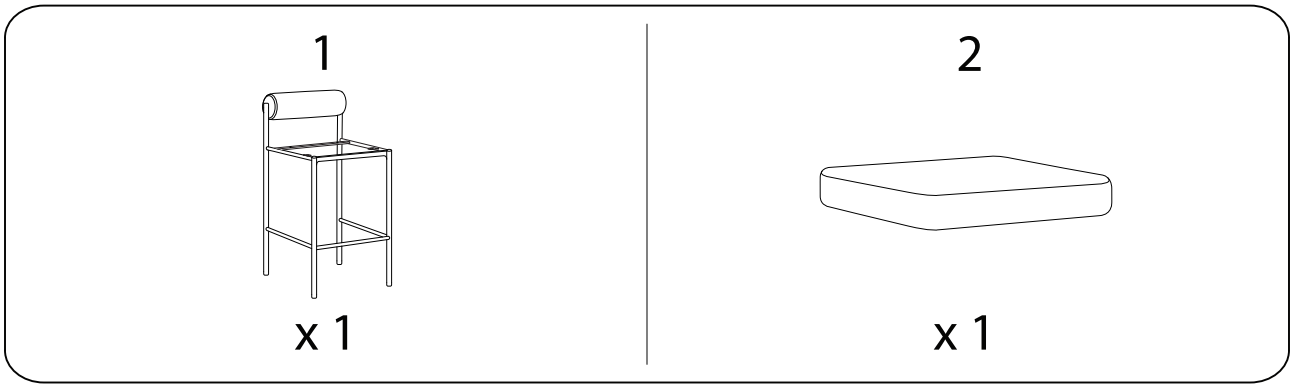




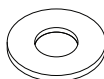
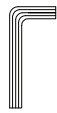


Diagram illustrating assembly instructions and safety warnings:

- Warning 1:** A warning triangle with an exclamation mark is shown next to a circular icon containing an L-shaped metal bracket and a crossed-out power drill, indicating that a power drill should not be used for this step.
- Warning 2:** A second warning triangle with an exclamation mark is shown next to a circular icon containing a rectangular block being placed on a surface, with a crossed-out diagram showing the block being placed on a thin mat, indicating that the block should be placed directly on a hard surface.
- Time:** A clock icon is shown next to the text "15'", indicating a 15-minute assembly time.
- Person:** A stick figure icon is shown next to the number "1", indicating that one person is required for assembly.



1

<p>1</p>  <p>x 1</p>	<p>2</p>  <p>x 1</p>	<p>A</p>  <p>M6 x 25</p> <p>x 2</p>	<p>B</p>  <p>M6 x 16</p> <p>x 2</p>	<p>C</p>  <p>x 4</p>	<p>D</p>  <p>x 1</p>
---	---	--	---	---	---

