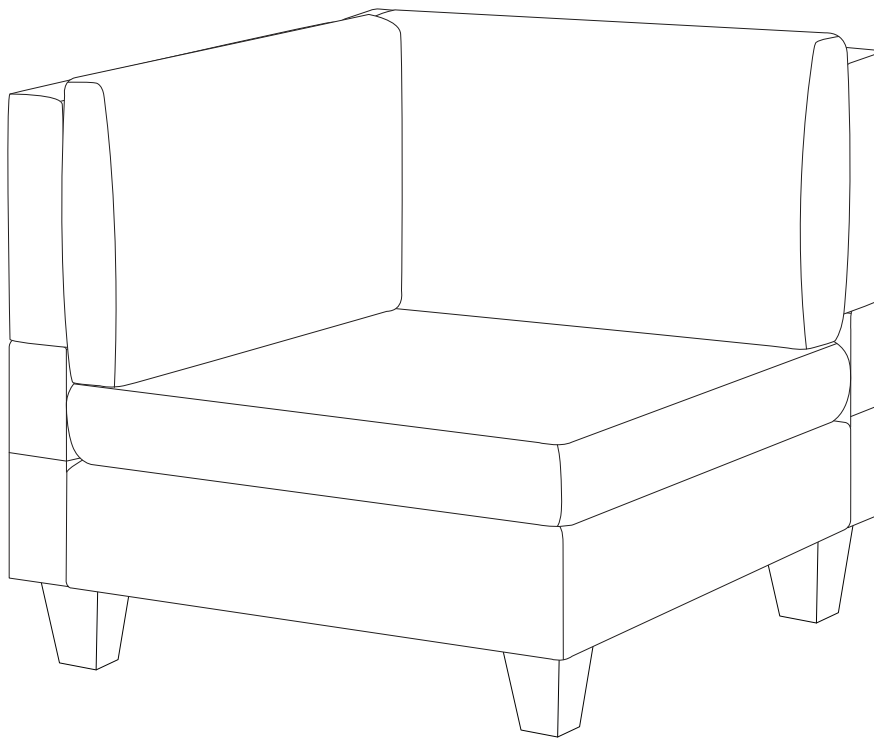
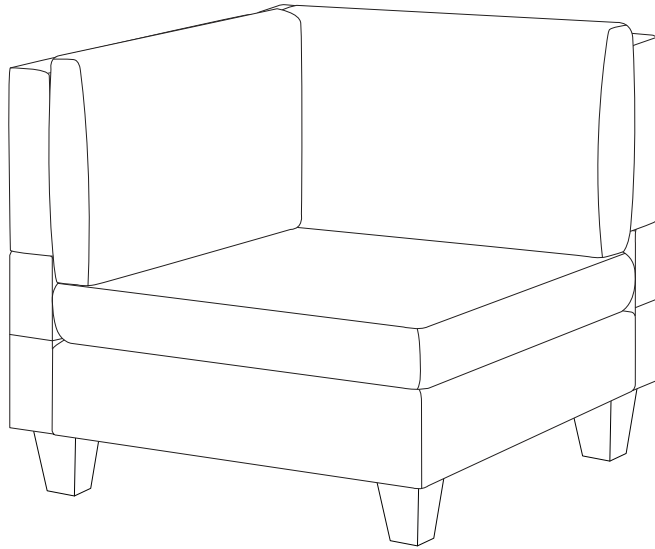


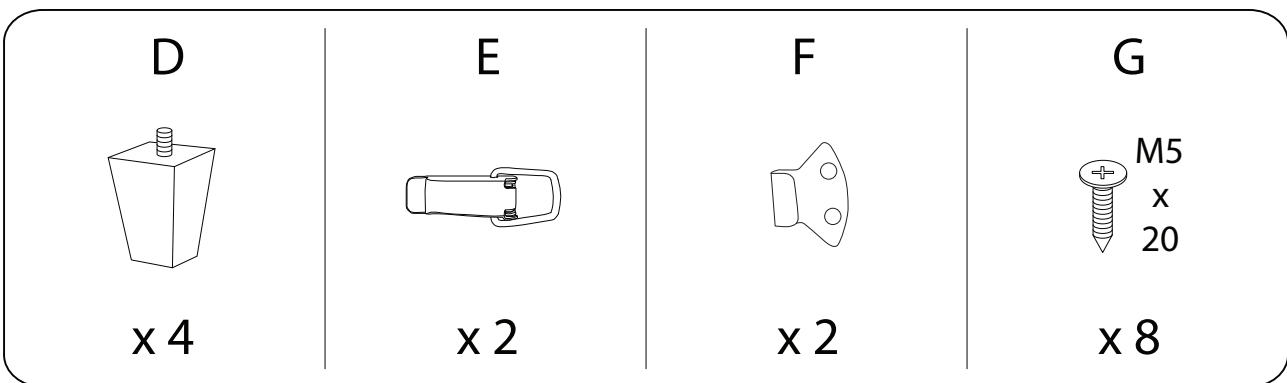
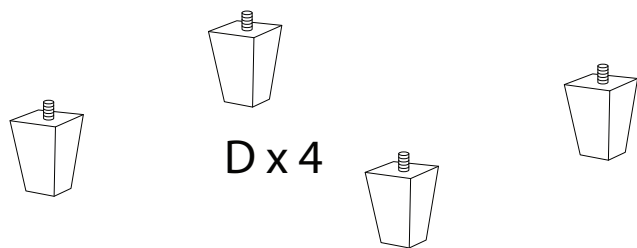
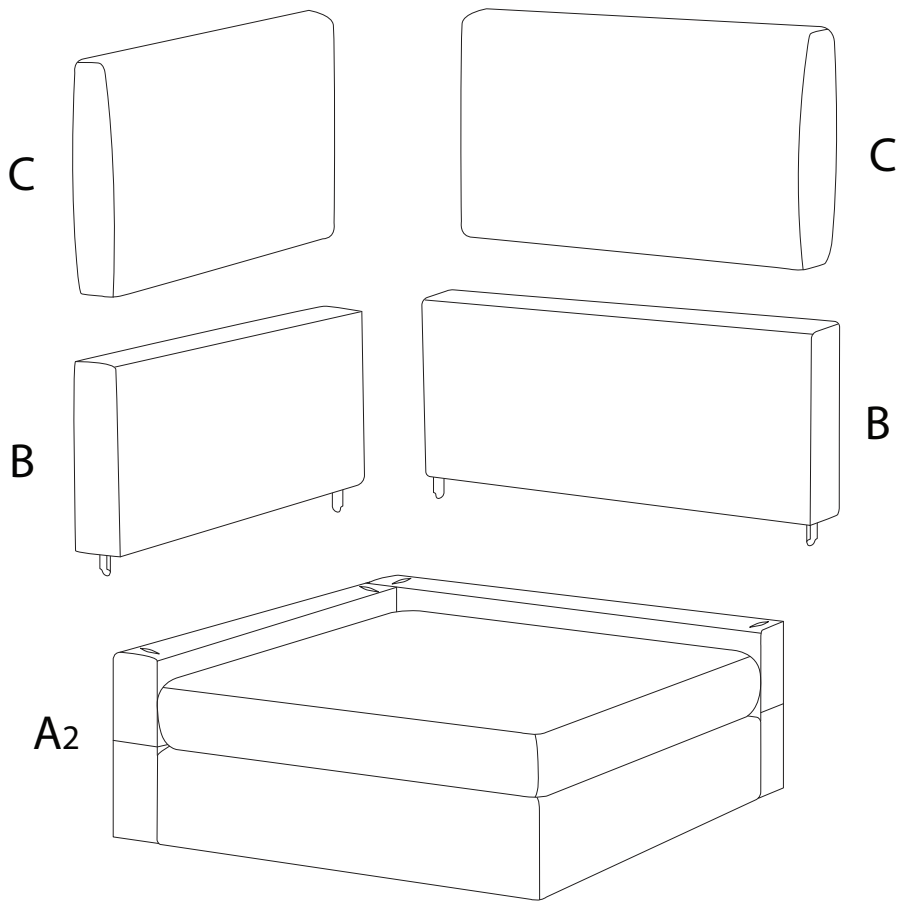
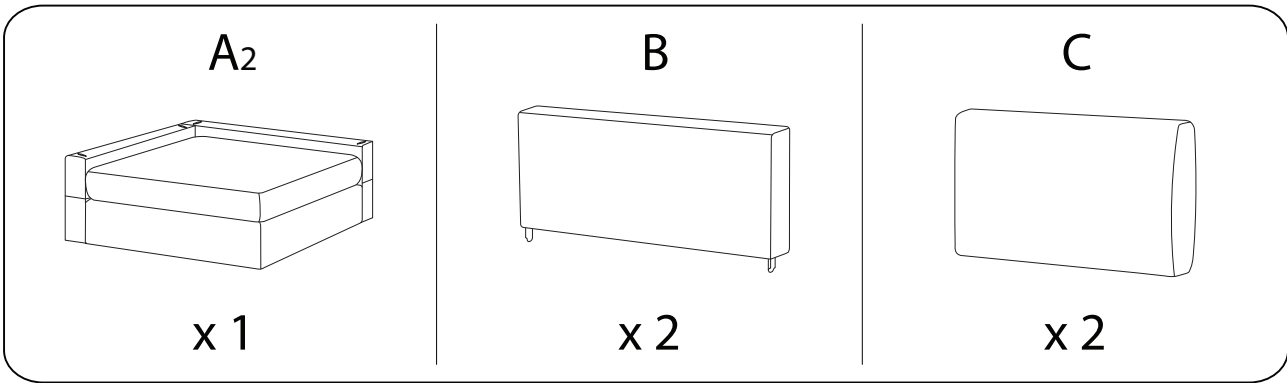
UNSTAD



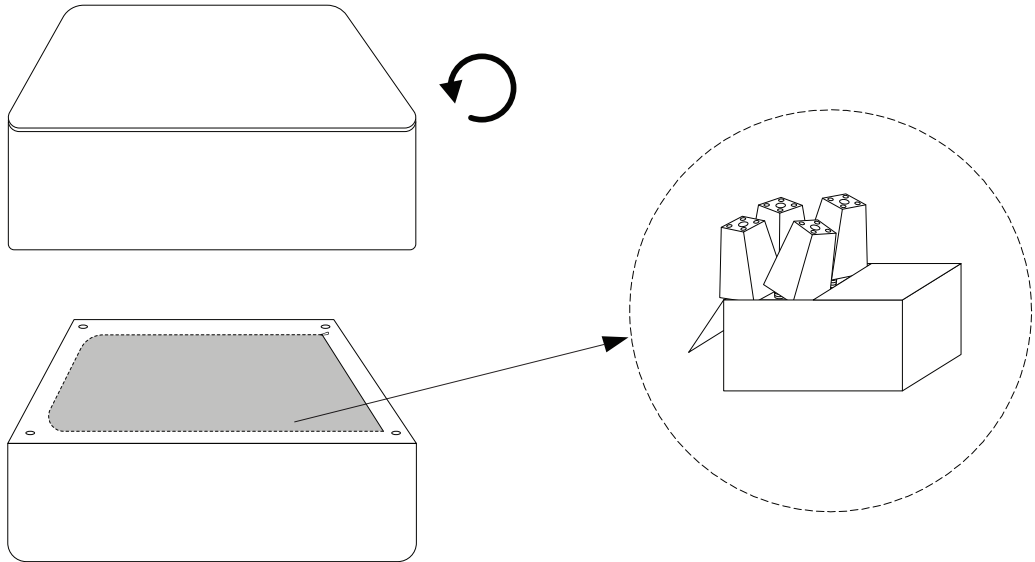


Assembly instructions for step 1/6:

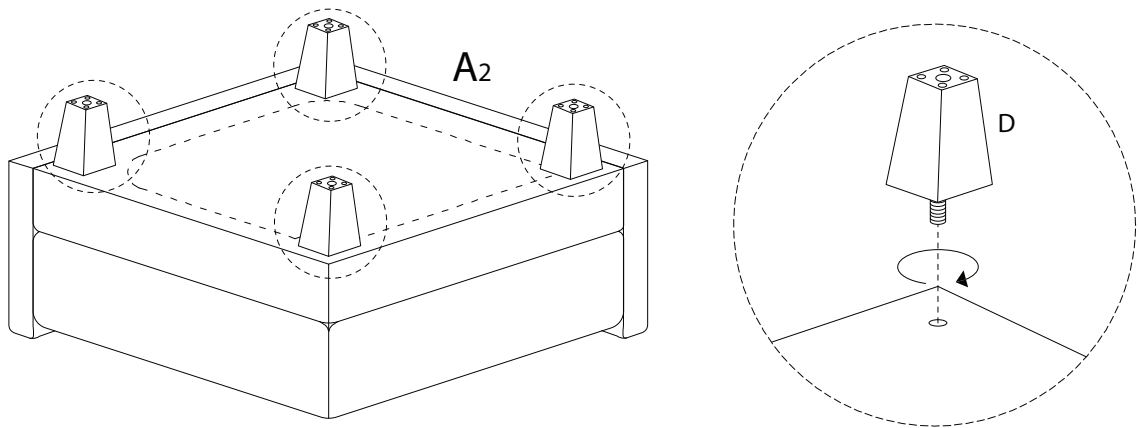
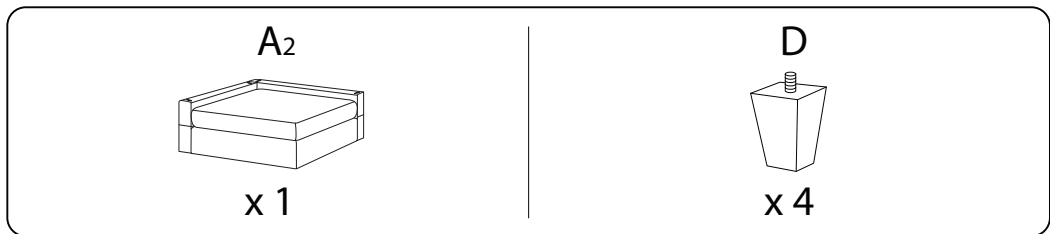
- Tools:** A screwdriver is shown as the required tool. A power drill is shown with a diagonal line through it, indicating it is not to be used.
- Warning:** A warning triangle with an exclamation mark is positioned to the right of the tool icons.
- Time:** A clock icon is shown, with the text "15'" below it, indicating a 15-minute assembly time.
- Personnel:** A person icon is shown, with the text "1" below it, indicating that one person is required for assembly.
- Diagram:** A diagram shows a rectangular block being placed on a surface with a textured pattern. A second diagram shows the block being pushed down, with a diagonal line through it, indicating that the block should not be pushed down.



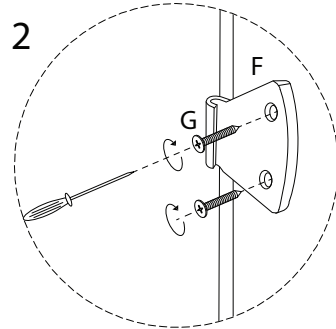
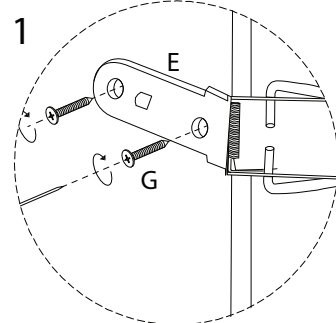
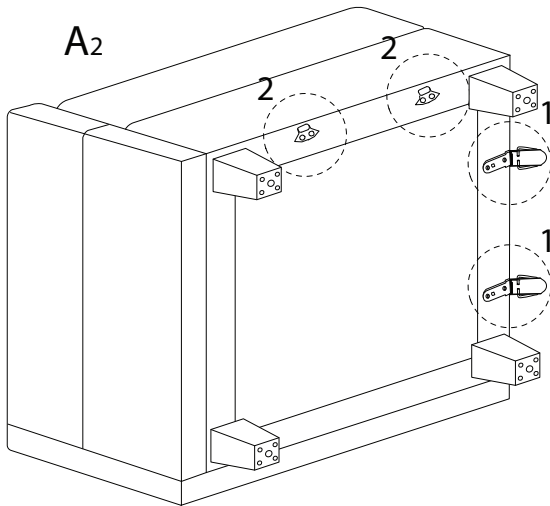
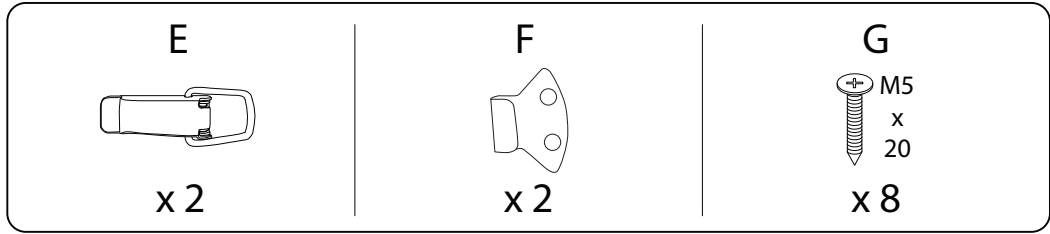
!



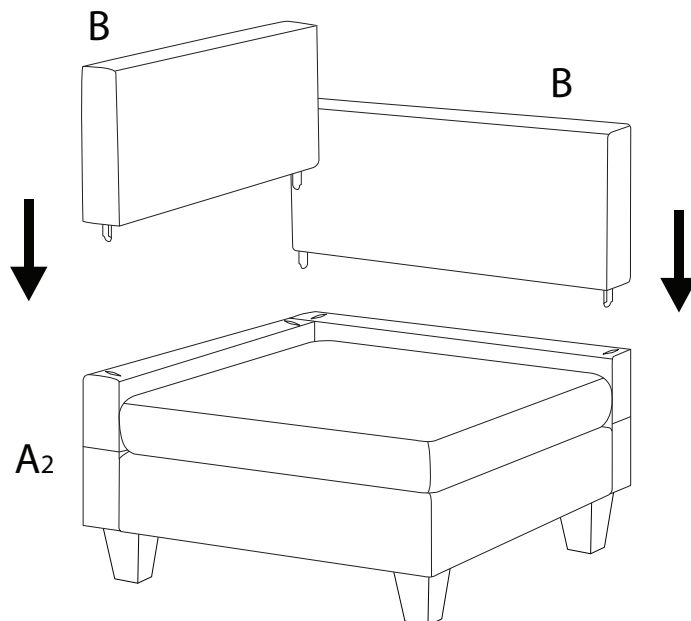
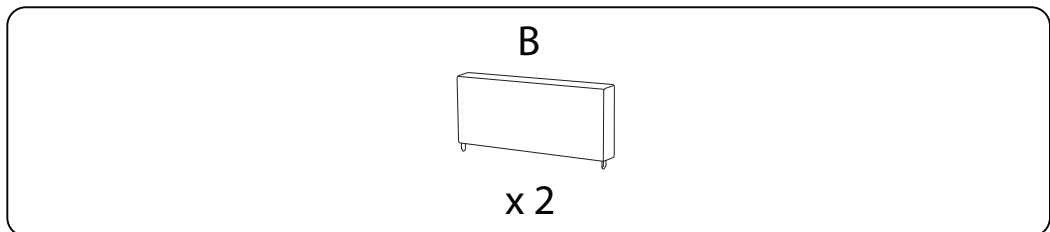
1



2

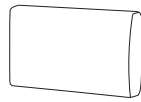


3

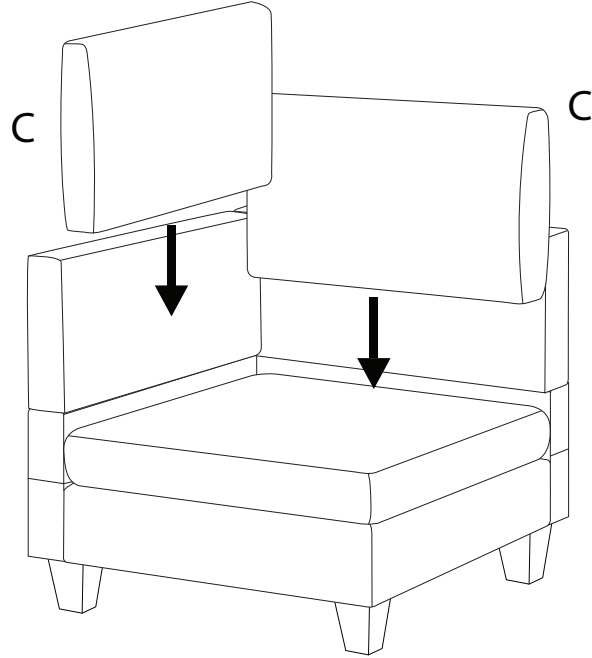


4

C



x2



!

