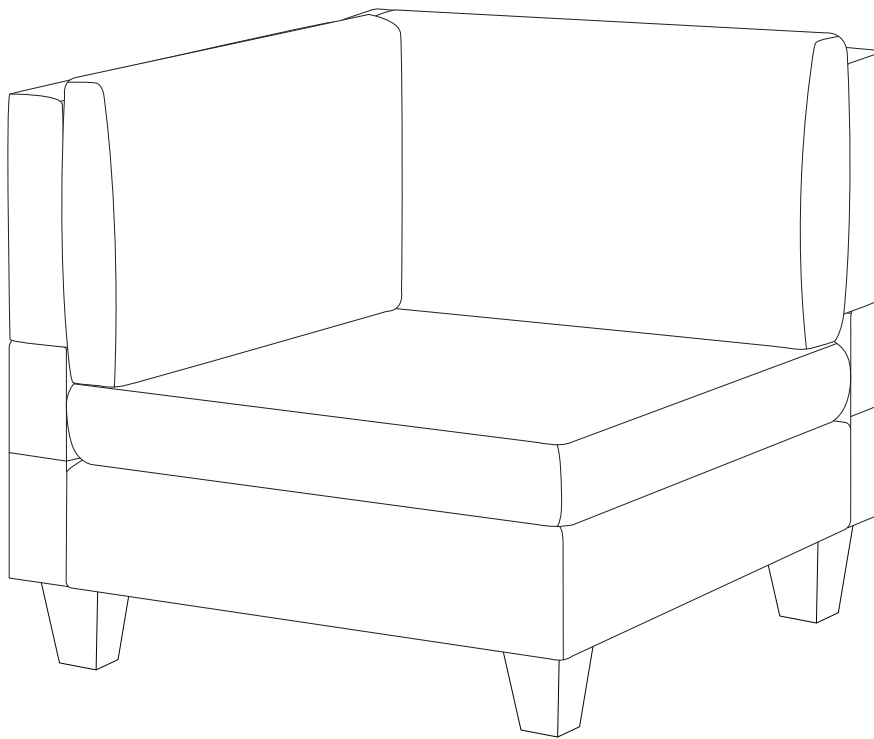
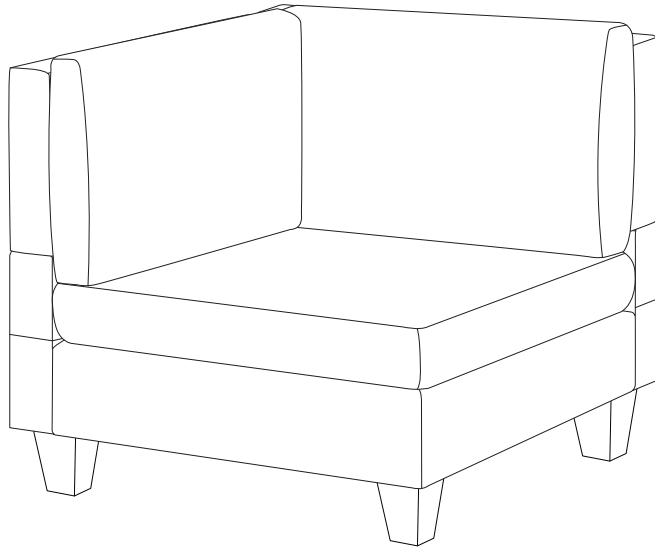
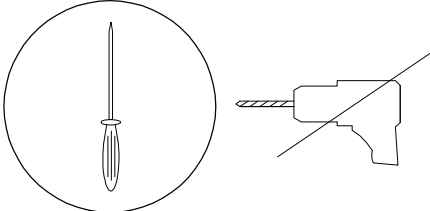

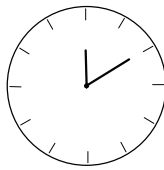
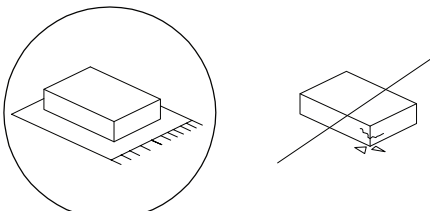

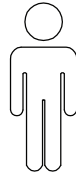
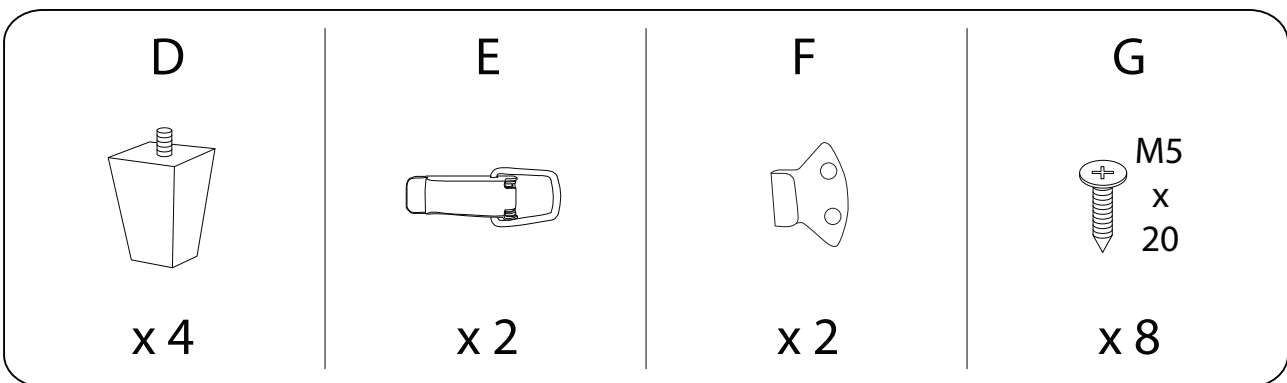
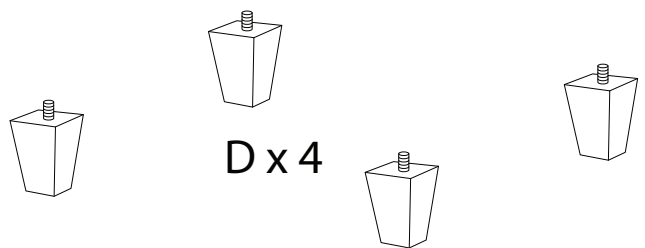
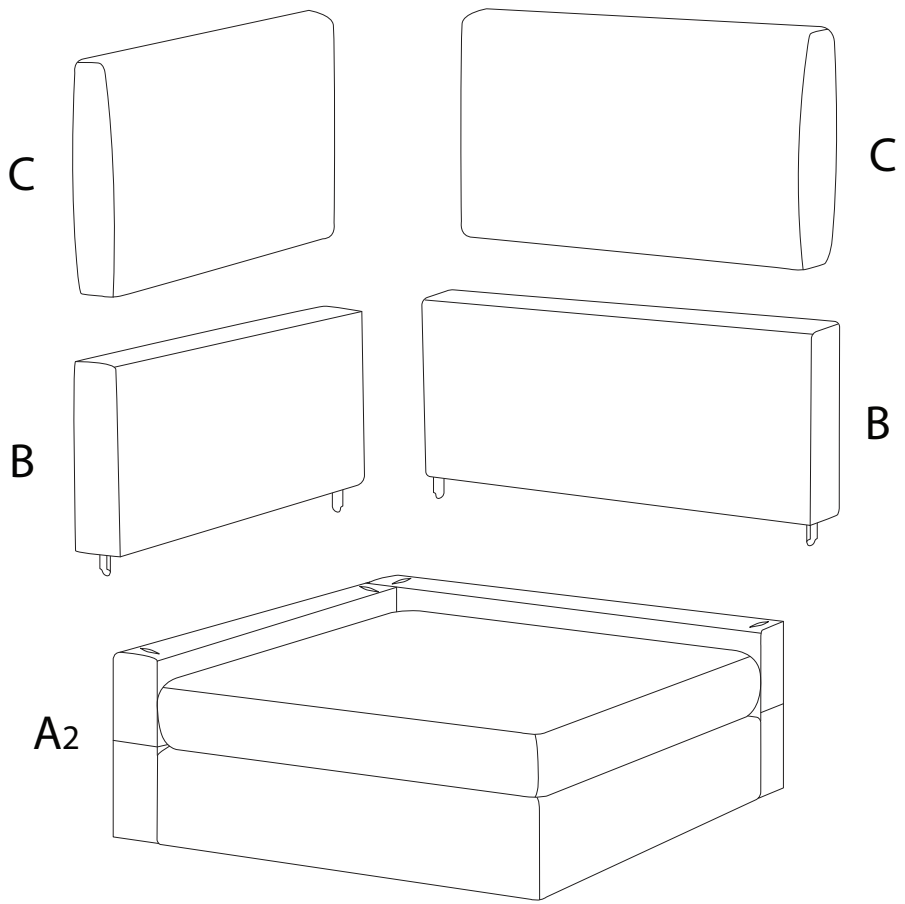
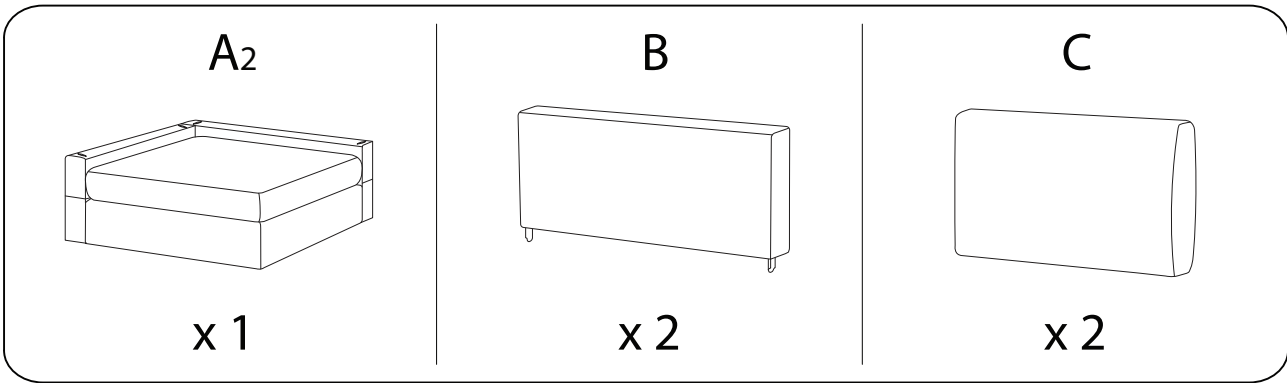


UNSTAD

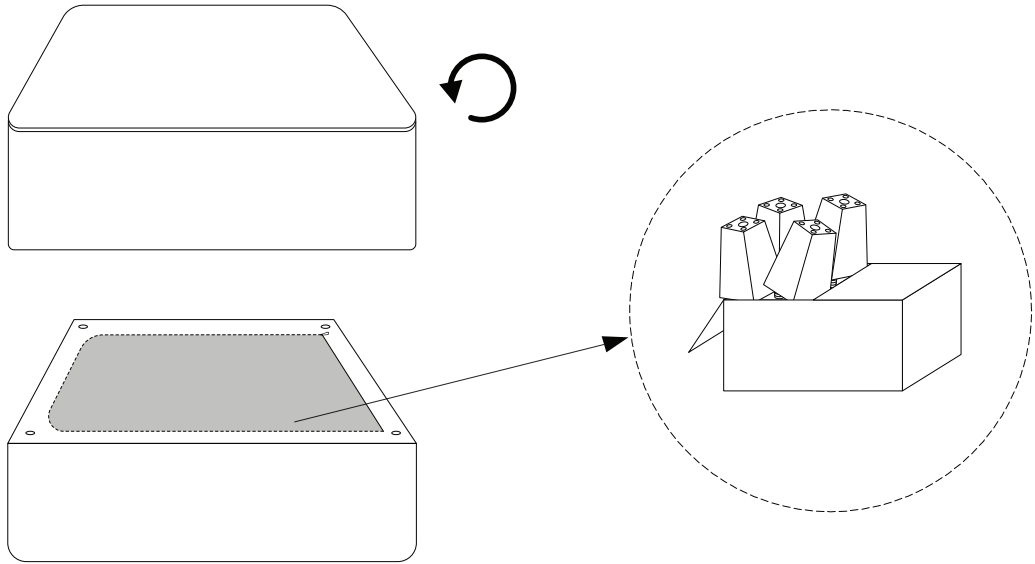




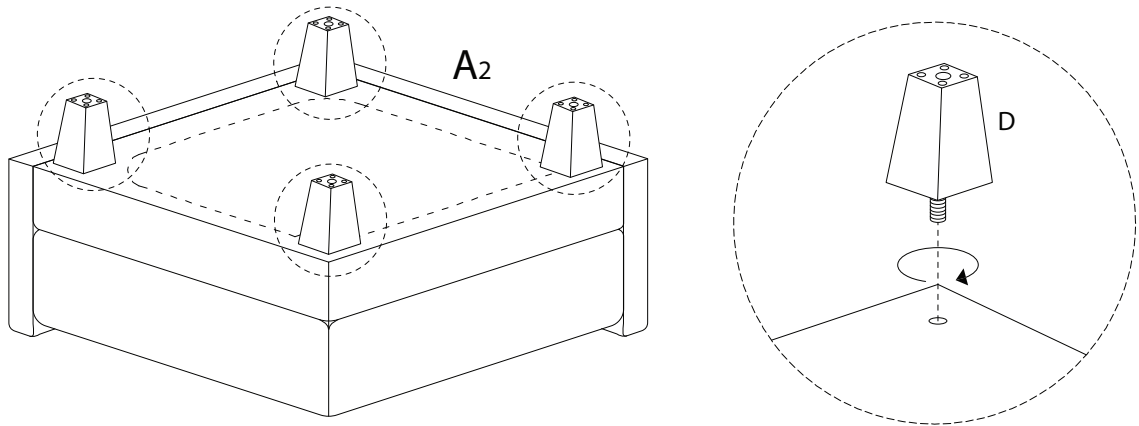
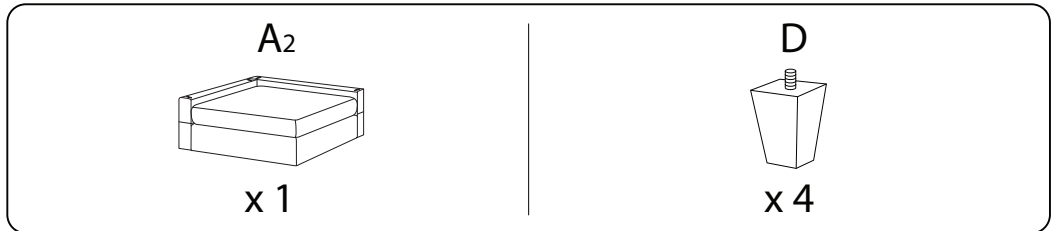
		
		10'
		
		1



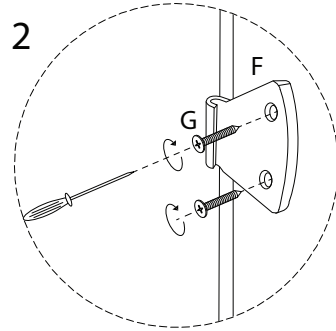
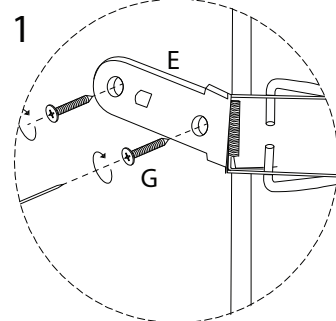
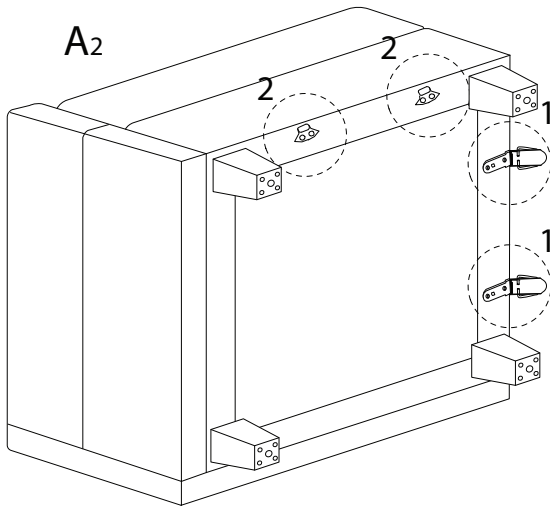
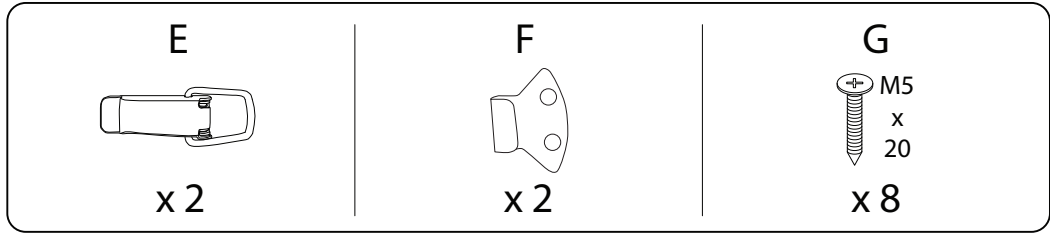
!



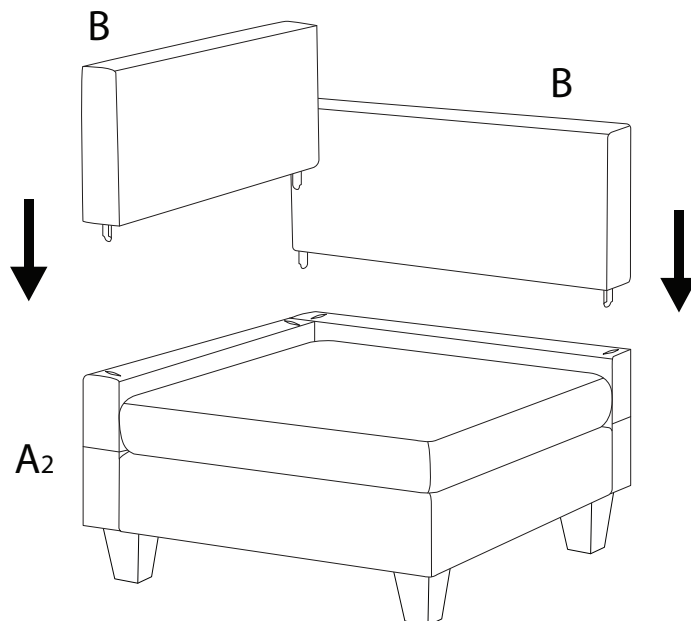
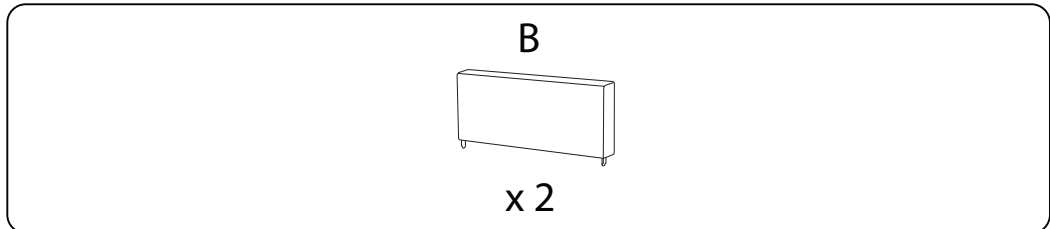
1



2

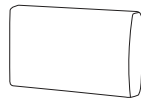


3

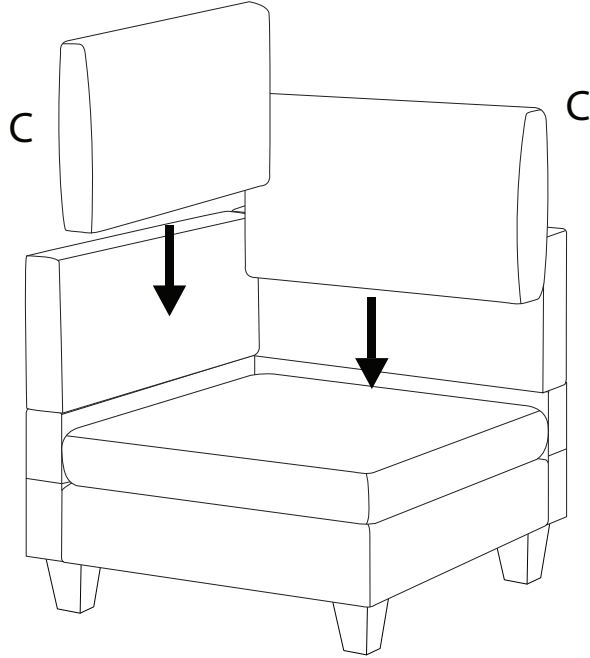


4

C



x2



!

