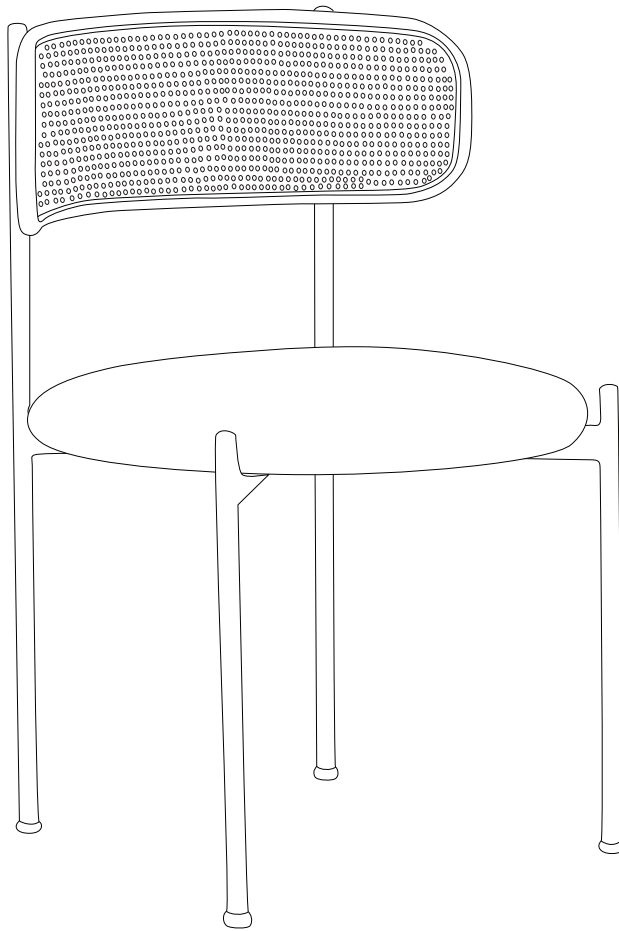
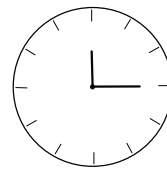
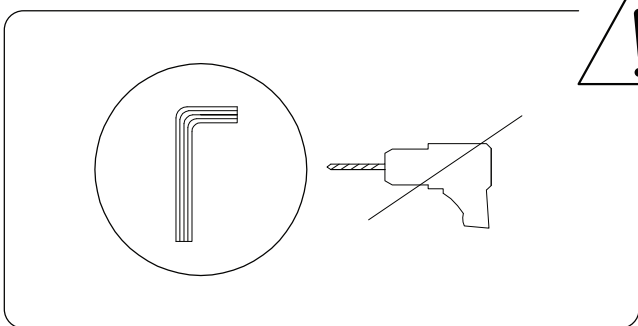
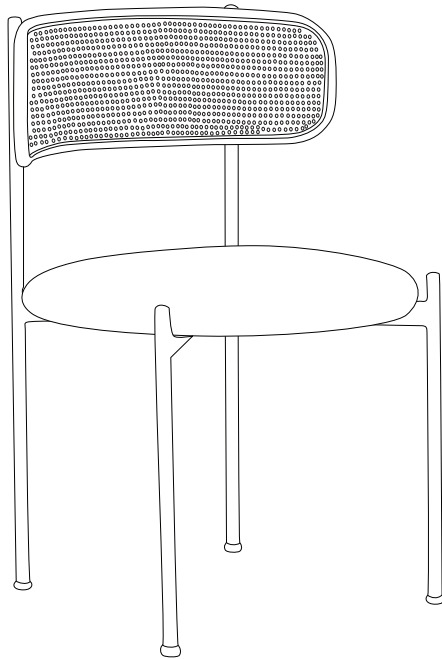
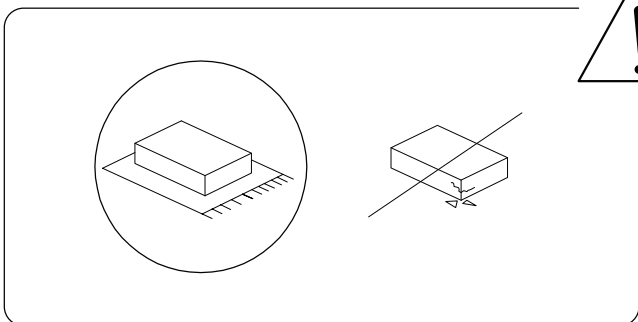


ANDOVER

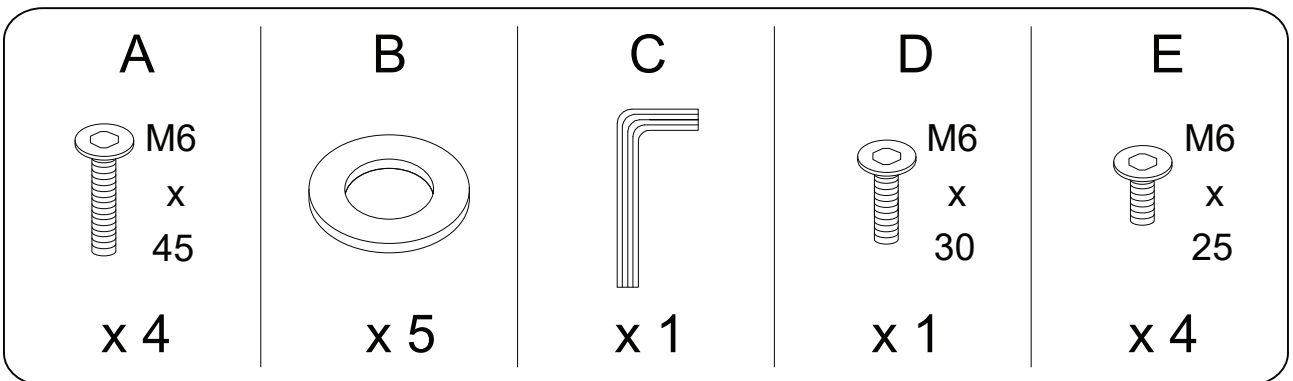
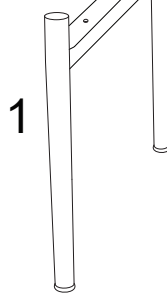
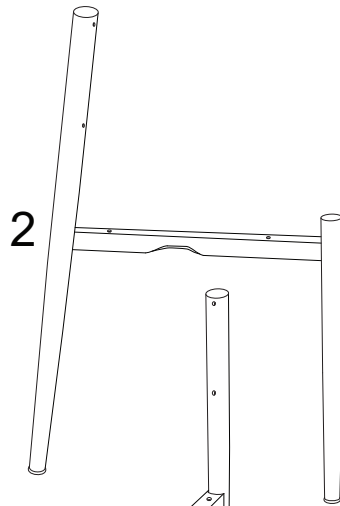
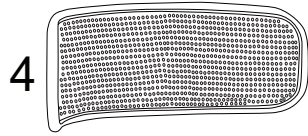
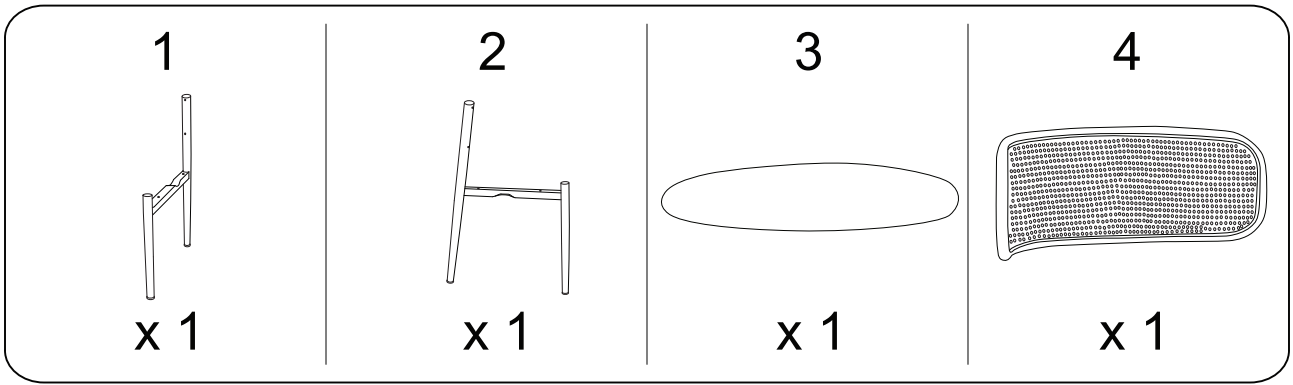




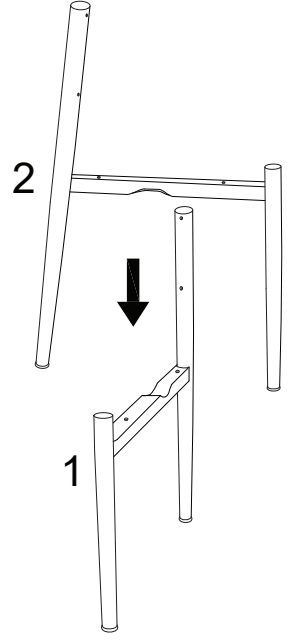
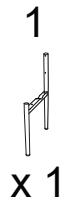
15'



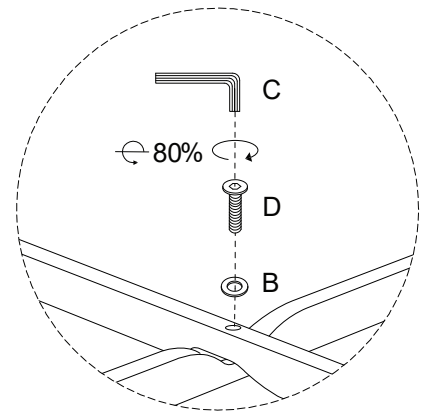
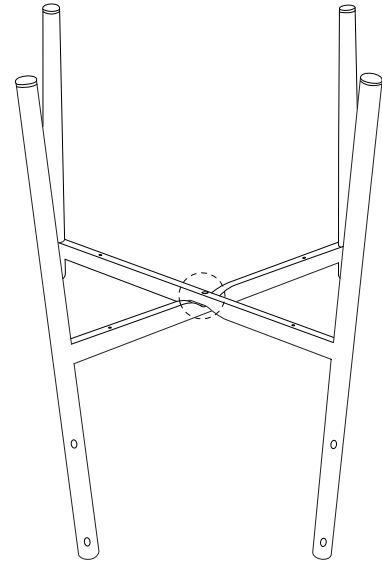
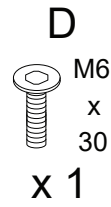
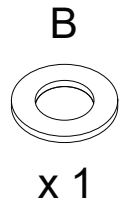
1



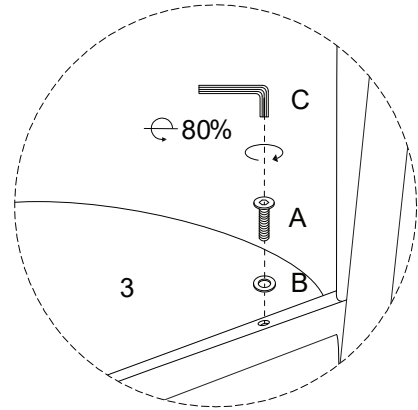
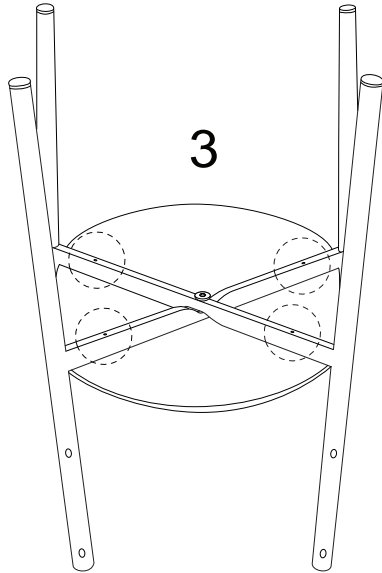
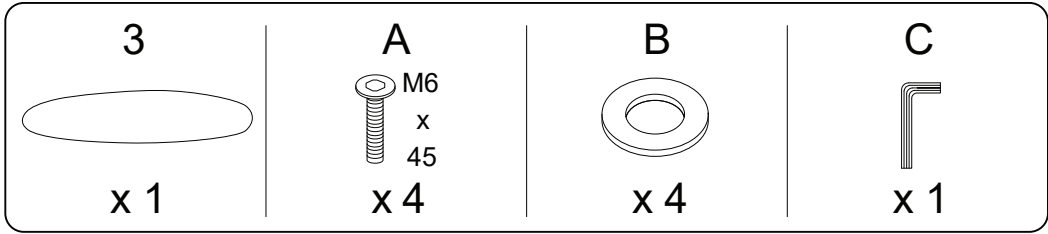
1



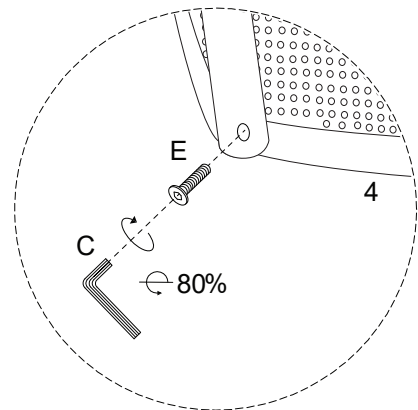
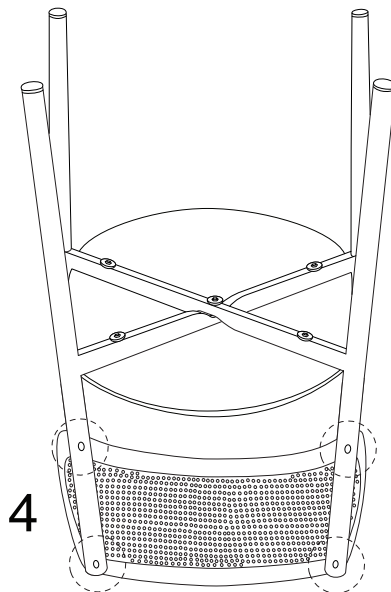
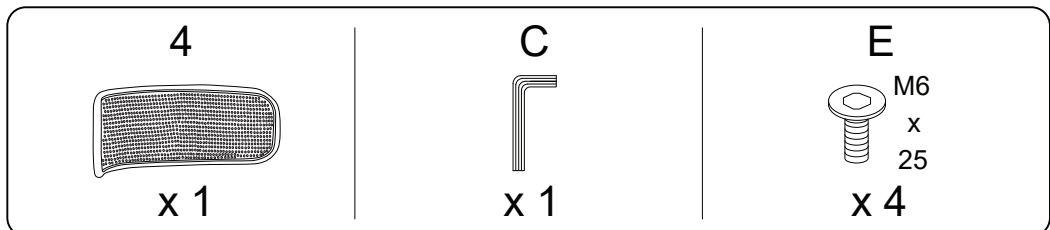
2



3

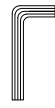


4



5

C



x 1

