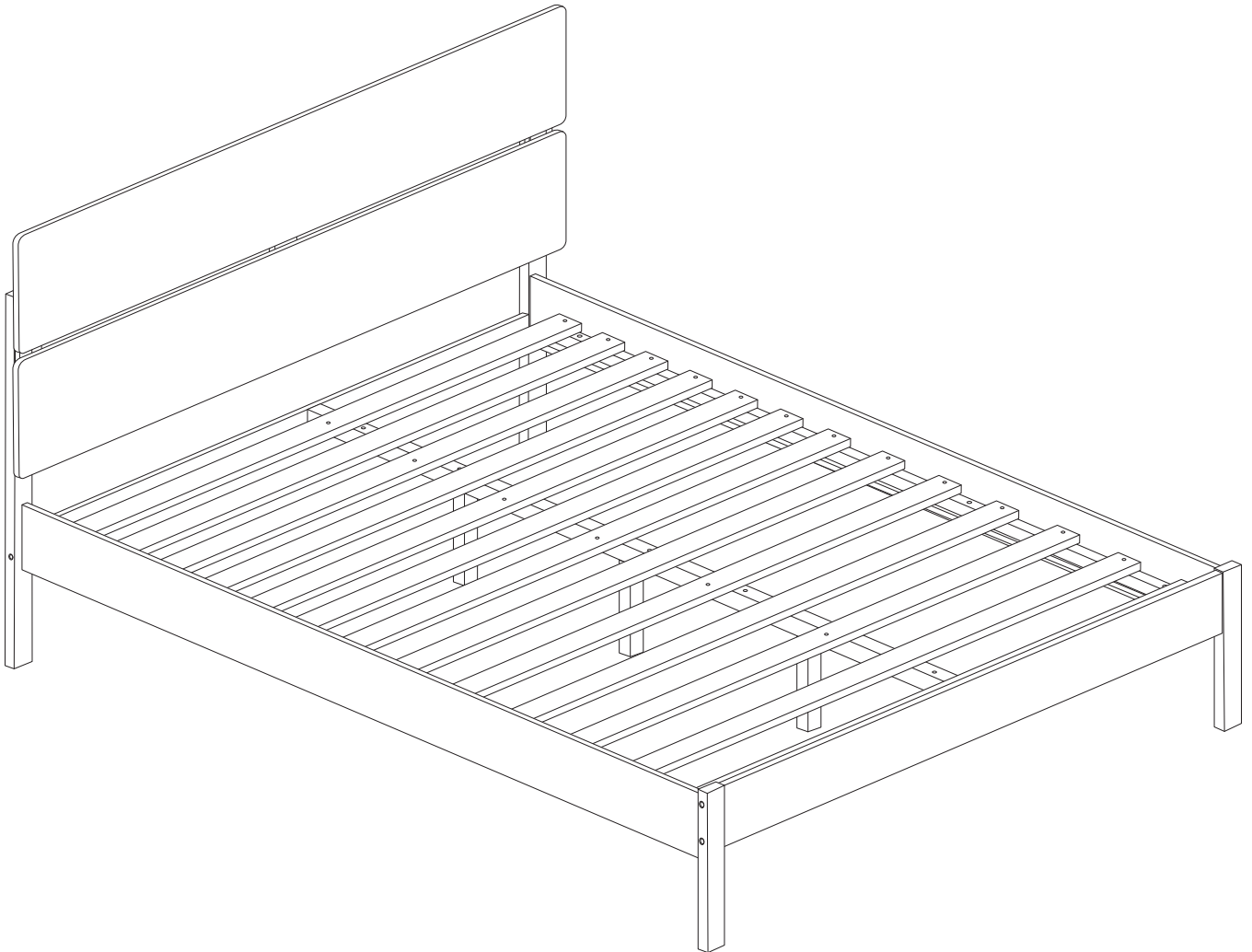
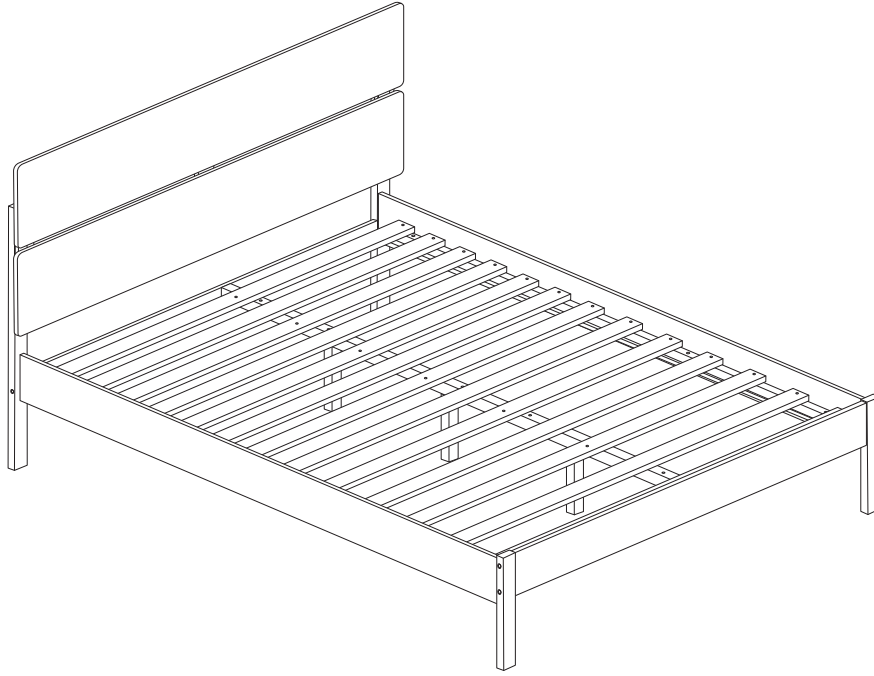


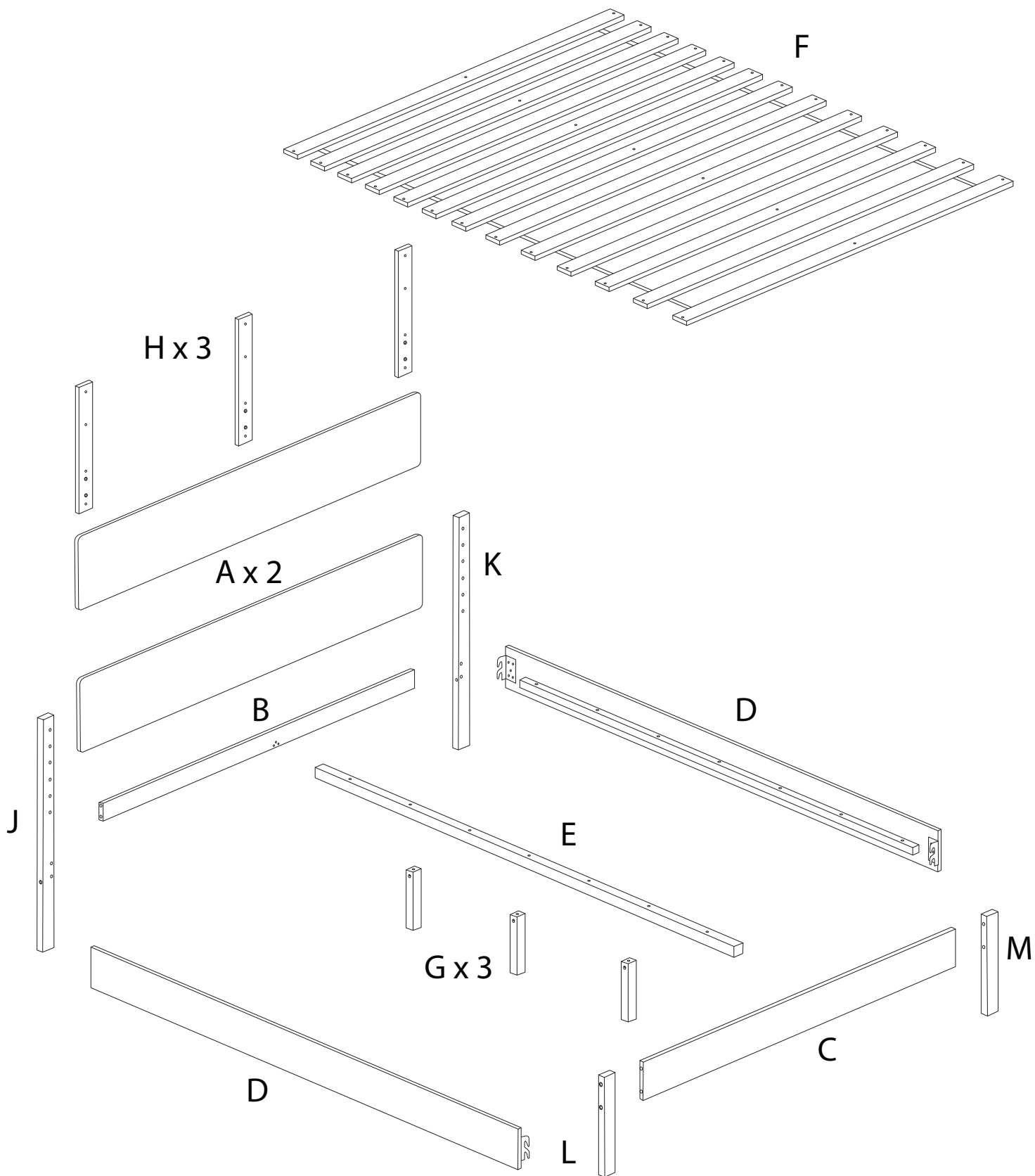
# BOISSET



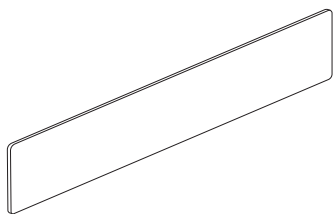


Assembly instructions for step 1/9:

- Tools:** A circle containing a screwdriver and an Allen key. A power drill is shown with a diagonal line through it, indicating it should not be used.
- Warning:** A triangle with an exclamation mark.
- Time:** A clock icon with the text "60'" below it, indicating a 60-minute assembly time.
- Personnel:** A stick figure icon with the number "2" below it, indicating that two people are required for assembly.
- Diagram:** A circle showing a rectangular block being placed on a slatted surface. A second diagram shows the block being pushed down onto the slats, with a diagonal line through it, indicating that the slats should not be damaged or bent.

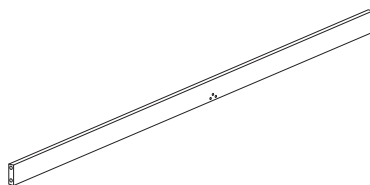


A



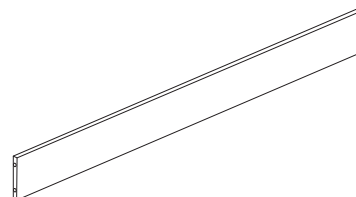
x 2

B



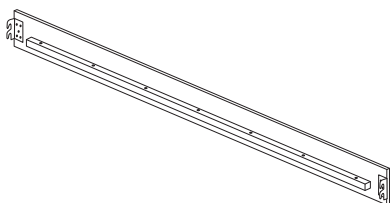
x 1

C



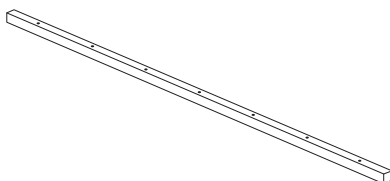
x 1

D



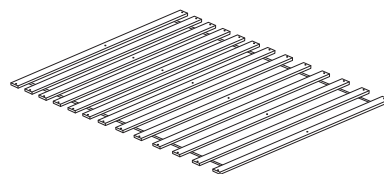
x 2

E



x 1

F



x 1

G



x 3

H



x 3

J



x 1

K



x 1

L



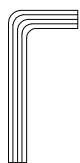
x 1

M



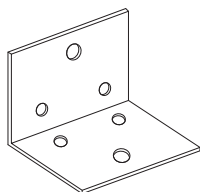
x 1

1



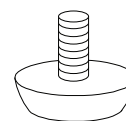
x 1

2



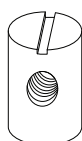
x 2

3



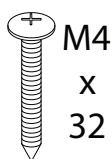
x 3

4



x 9

5



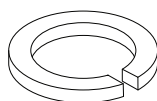
x 12

6



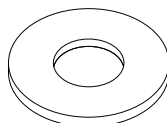
x 4

7



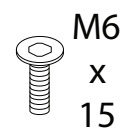
x 12

8



x 12

9



x 4

10



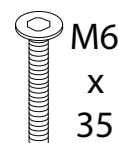
x 8

11



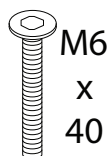
x 12

12



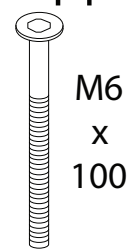
x 4

13



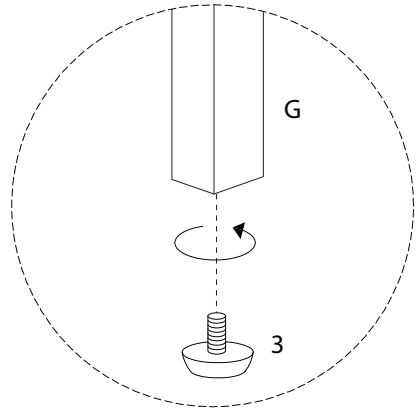
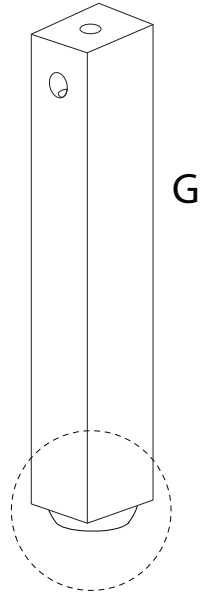
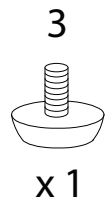
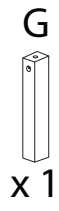
x 18

14

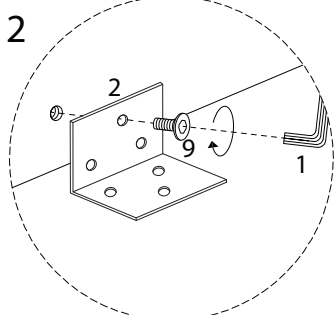
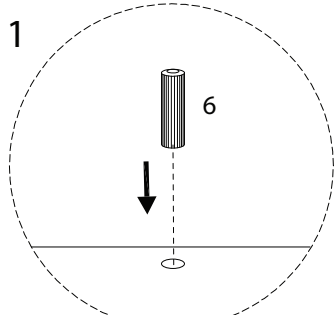
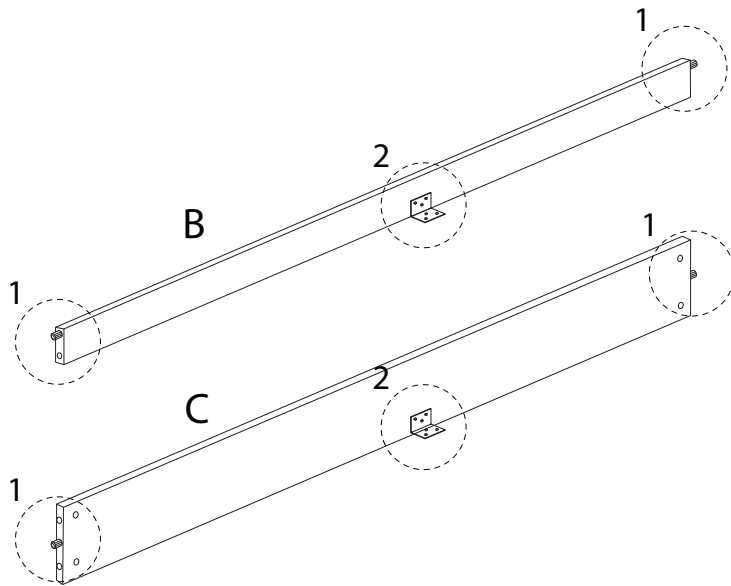
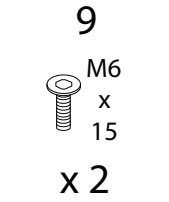
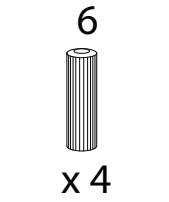
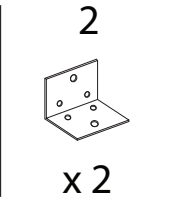
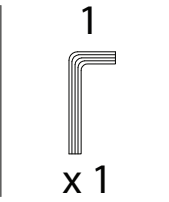
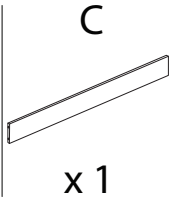
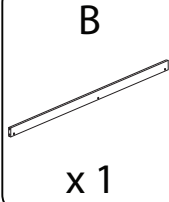


x 9

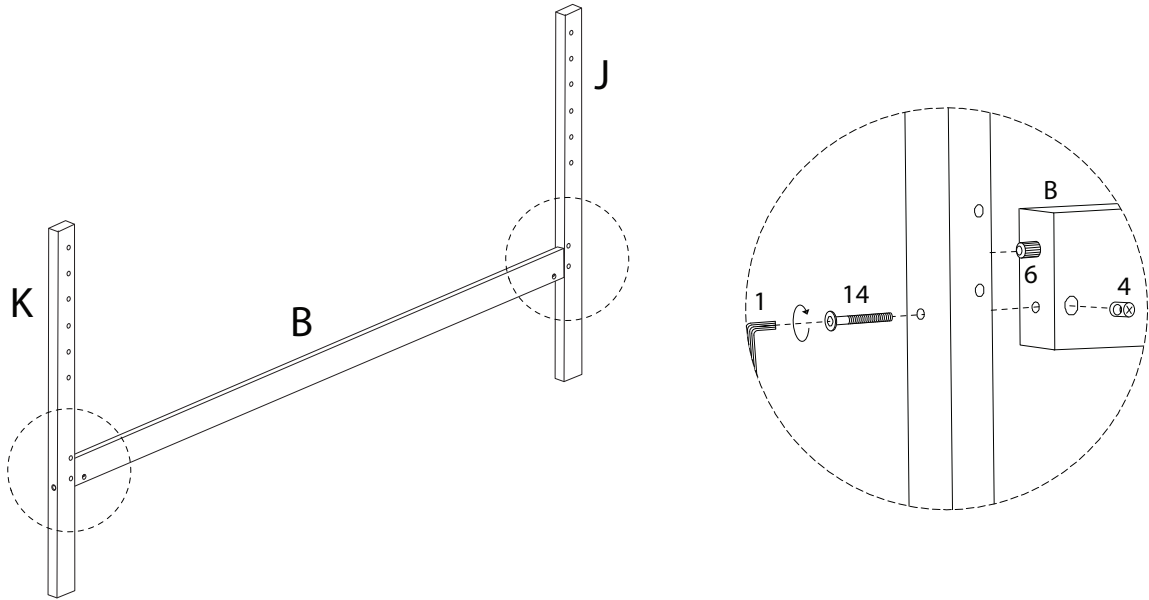
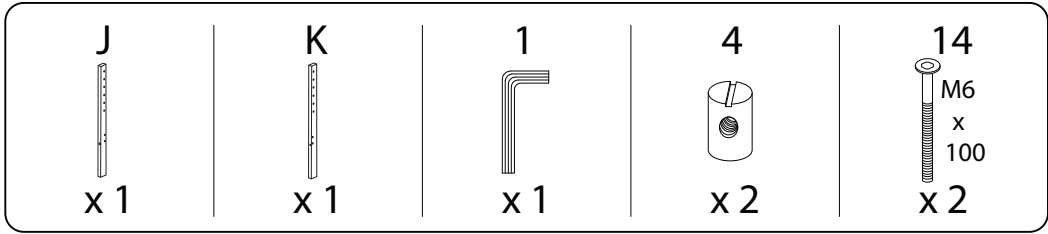
1 x 3



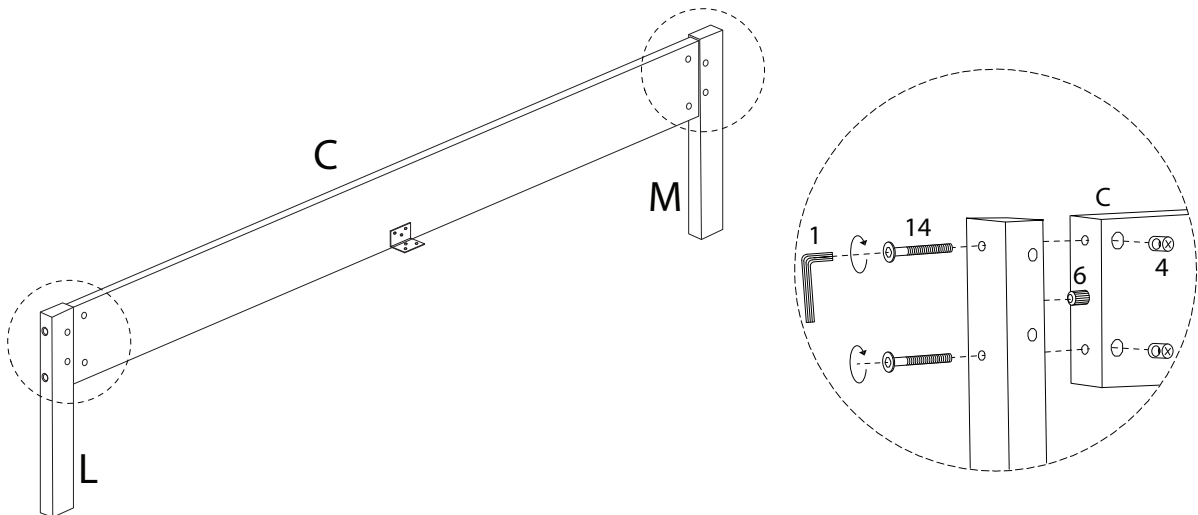
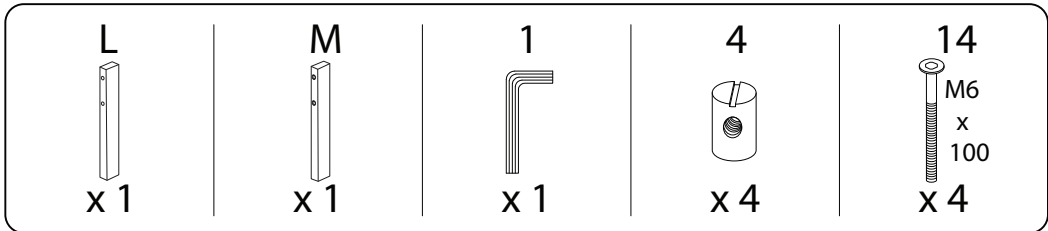
2



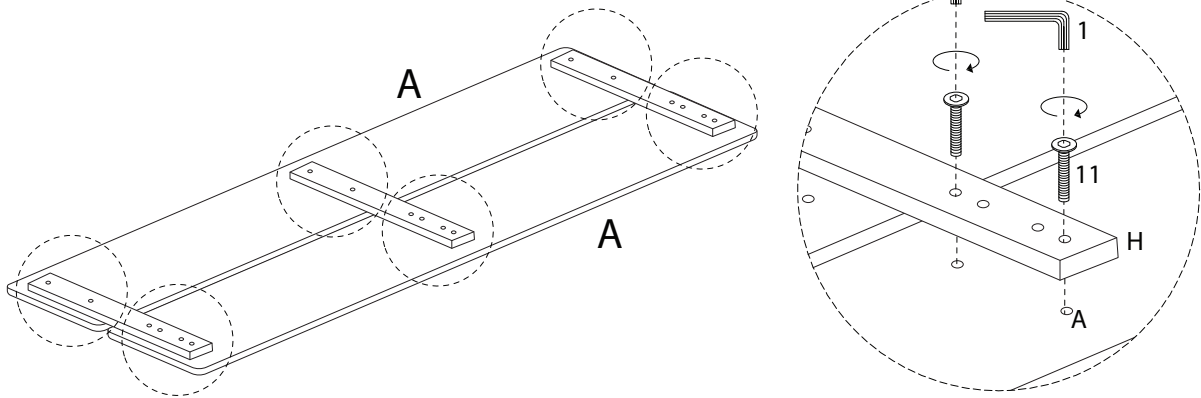
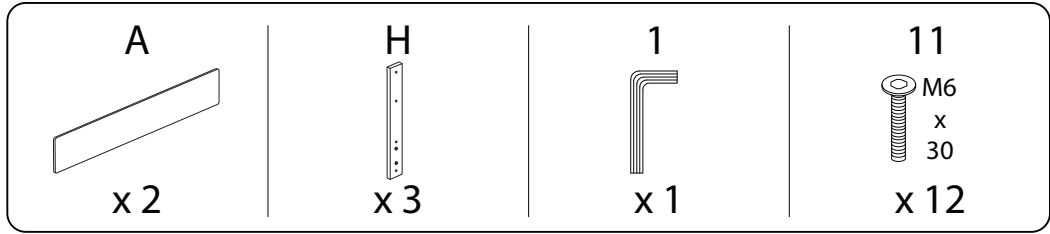
3



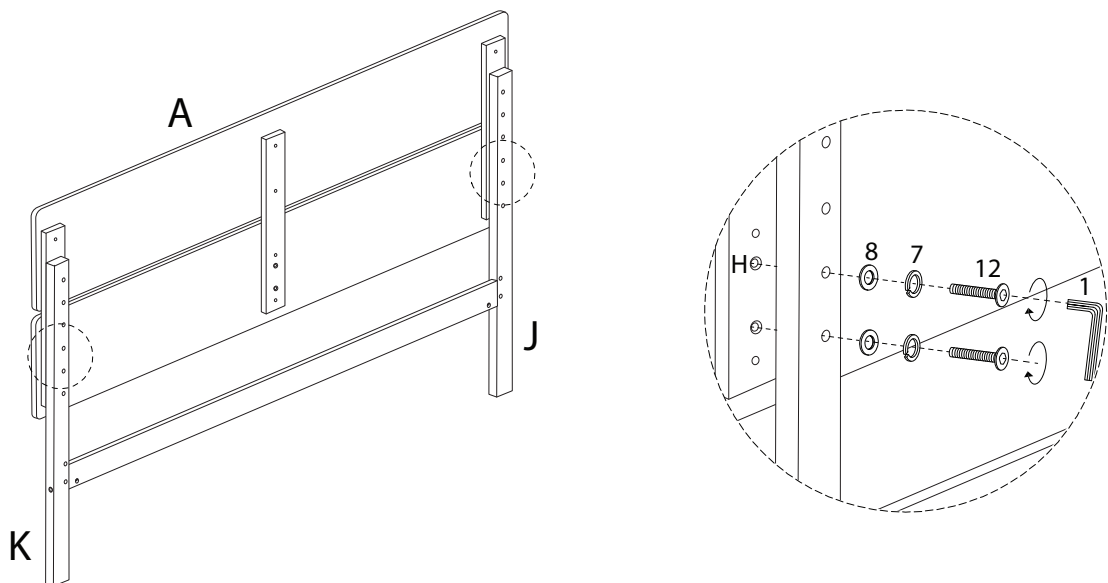
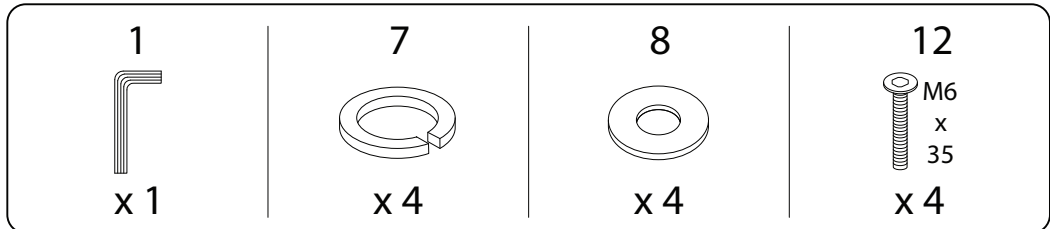
4



5

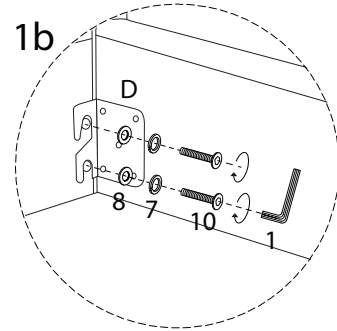
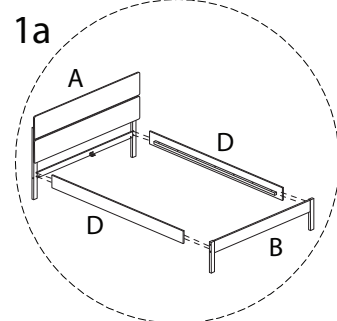
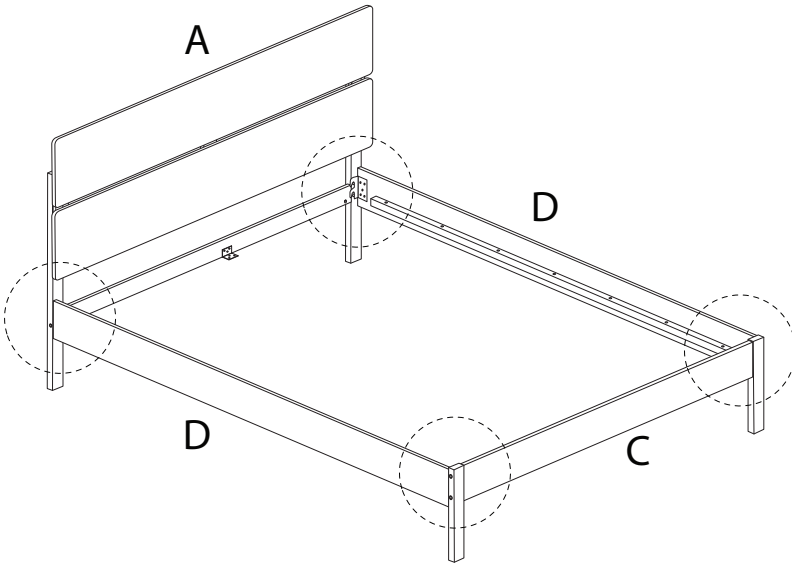
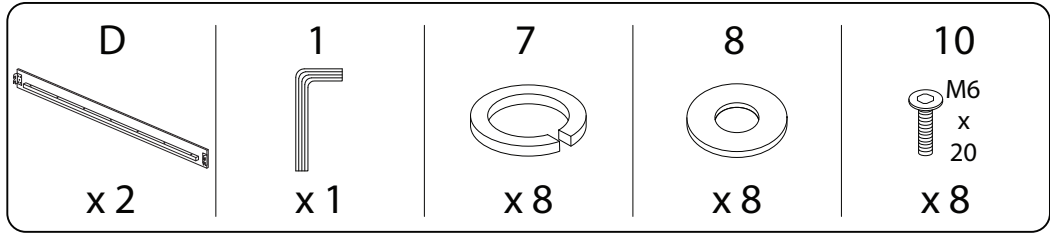


6

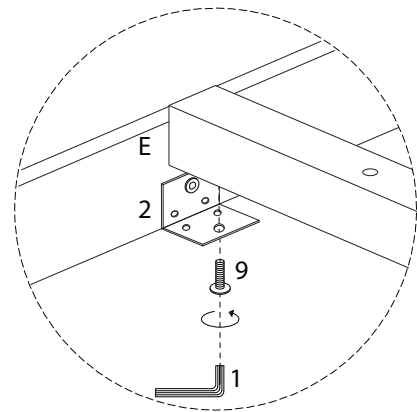
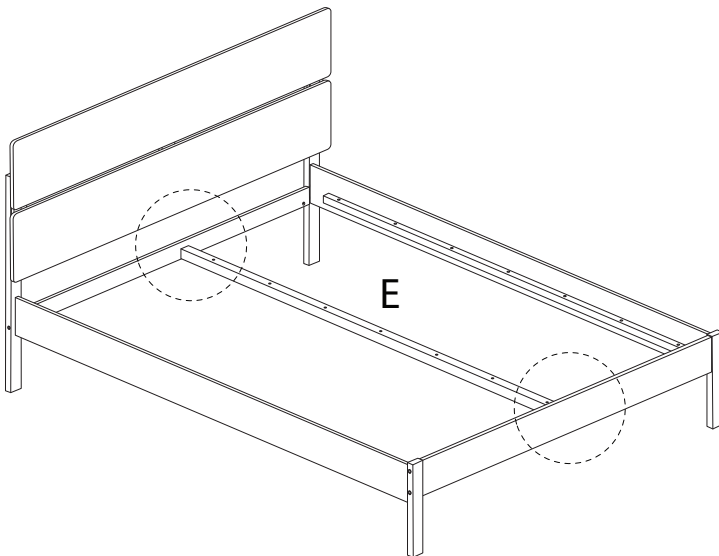
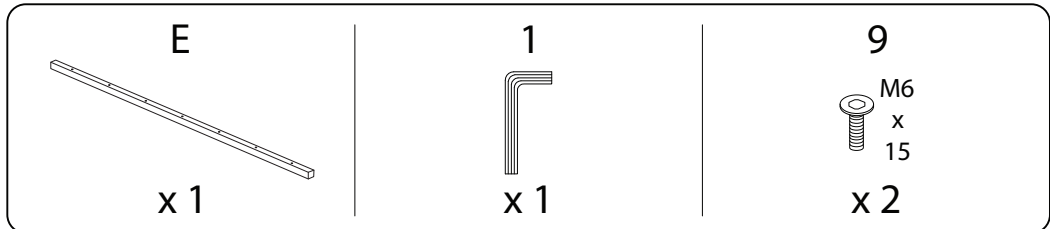




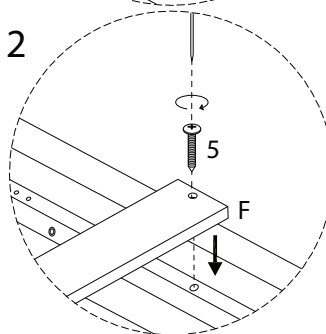
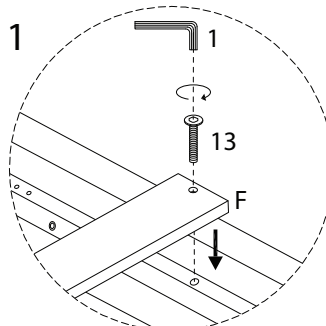
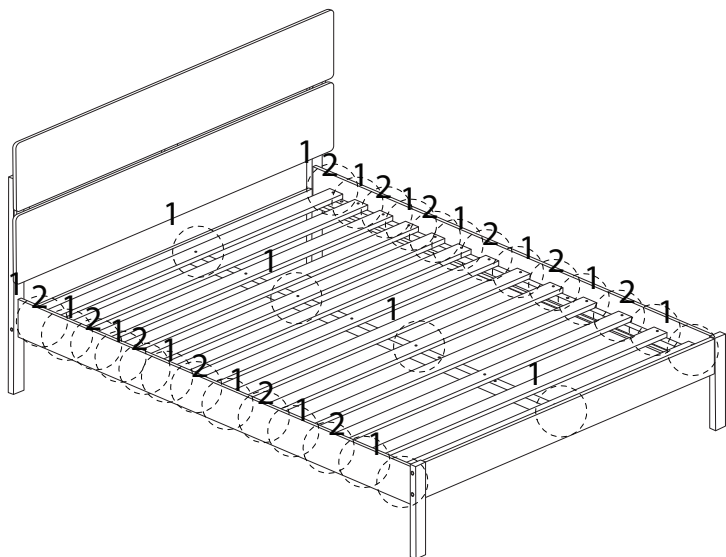
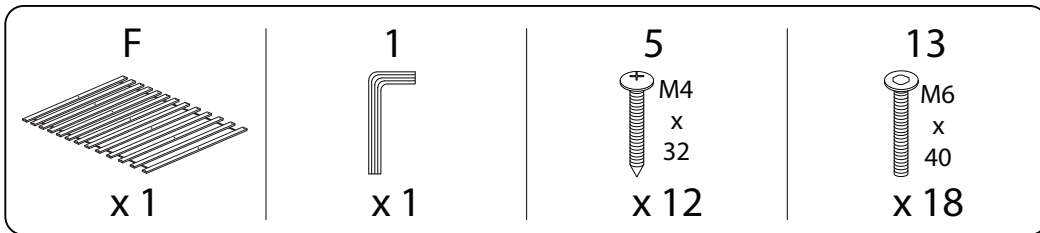
7



8



9



10

