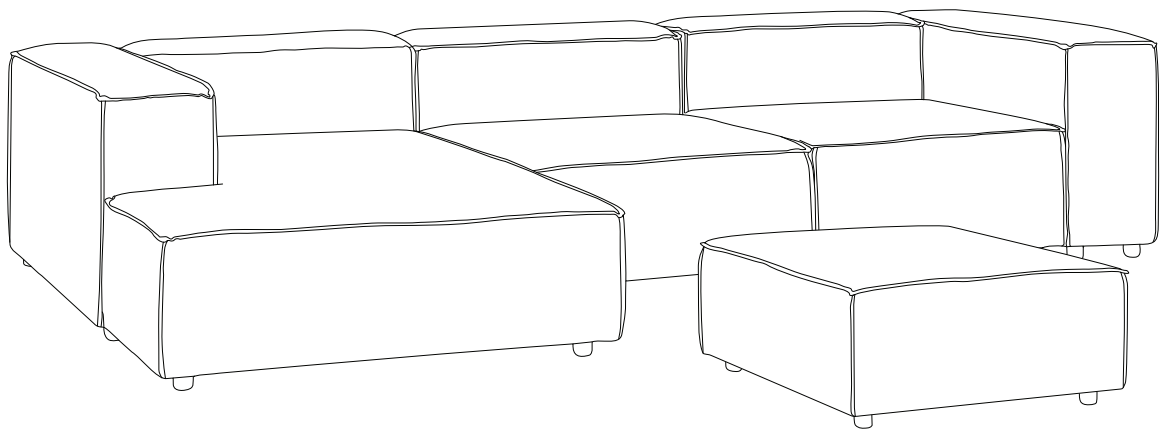
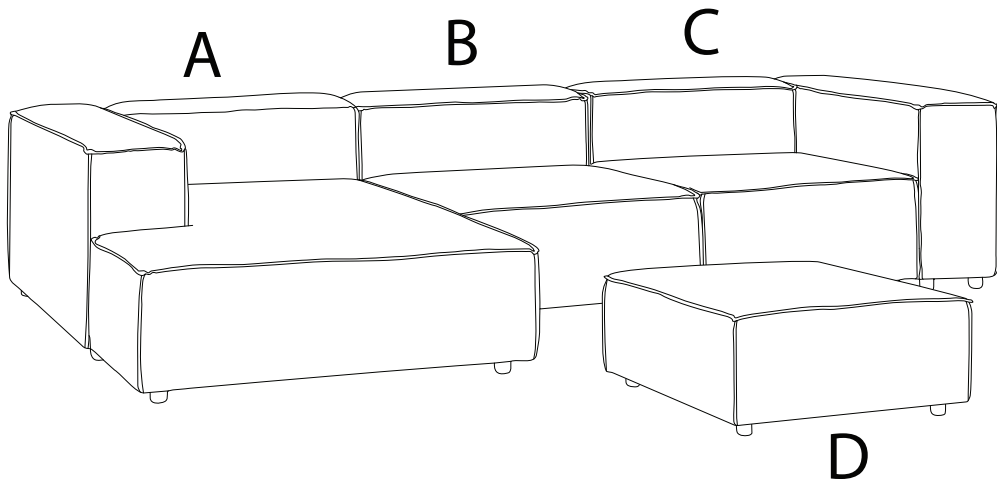
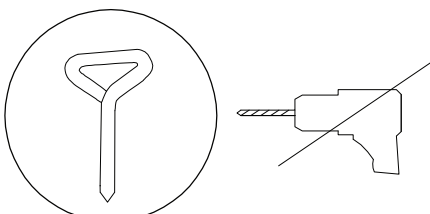

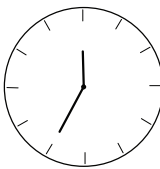
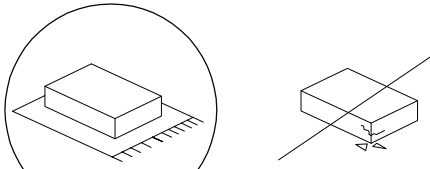




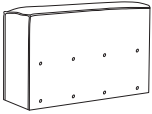
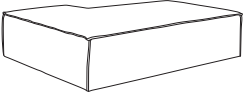
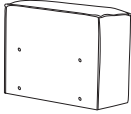
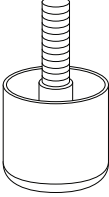
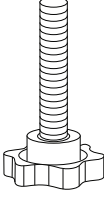
# APRICA

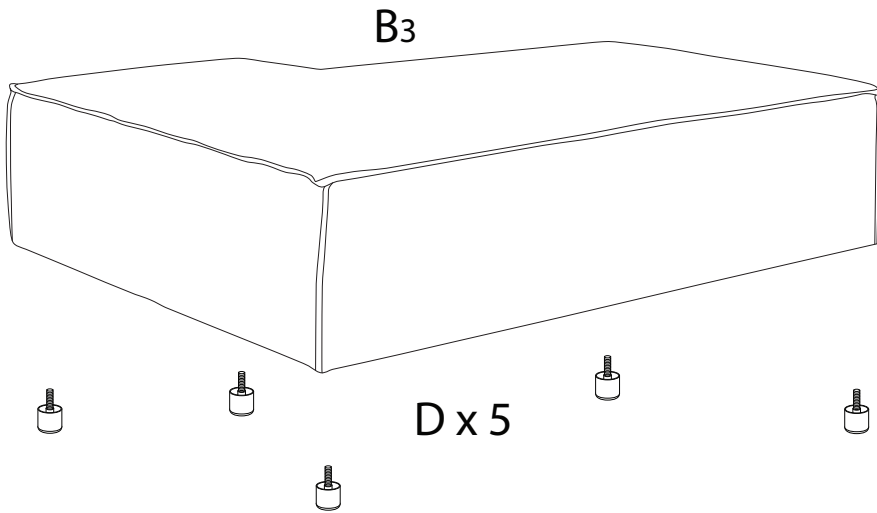
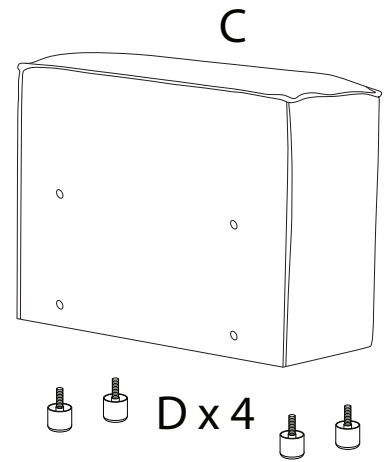
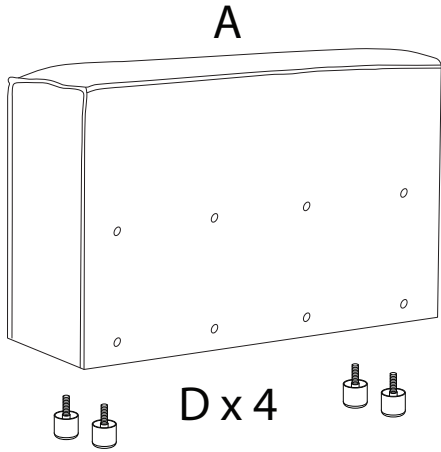


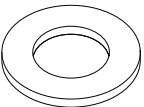
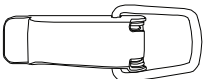
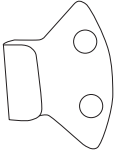
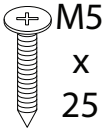
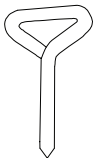


		
		35'
		
		2

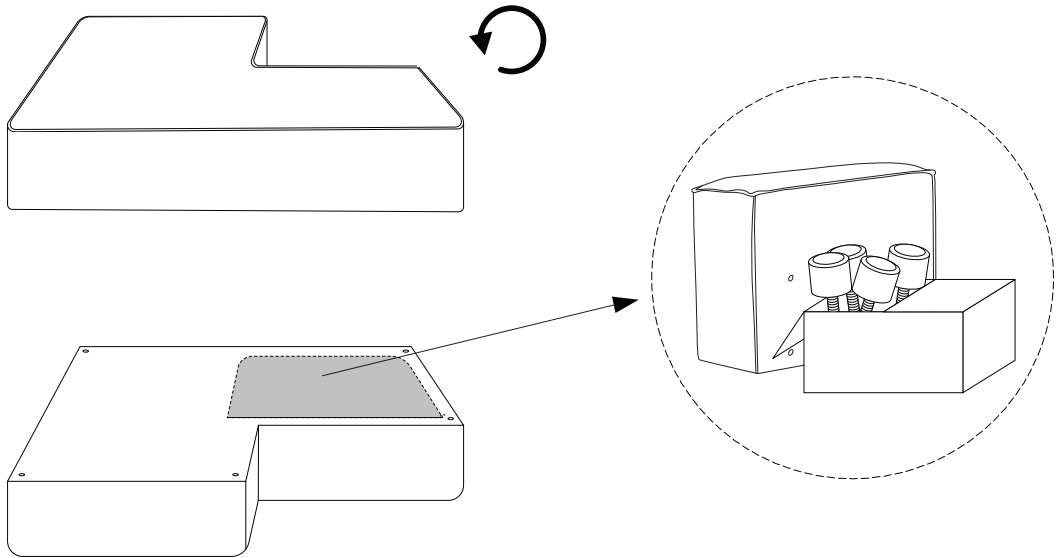
# A

<b>A</b>  <b>x 1</b>	<b>B<sub>3</sub></b>  <b>x 1</b>	<b>C</b>  <b>x 1</b>	<b>D</b>  <b>x 13</b>	<b>E</b>  <b>x 8</b>
---	---	---	--	---

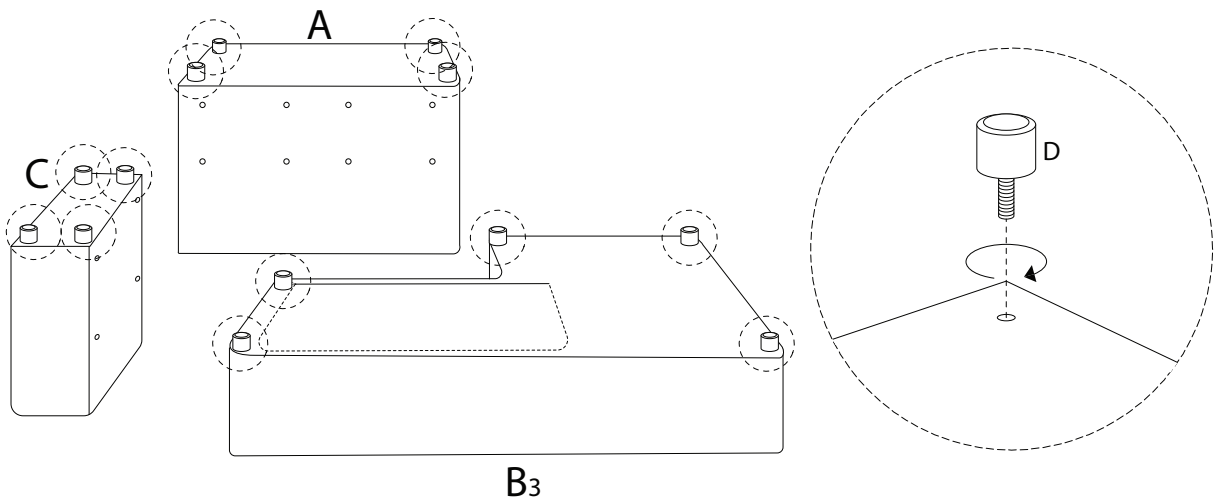
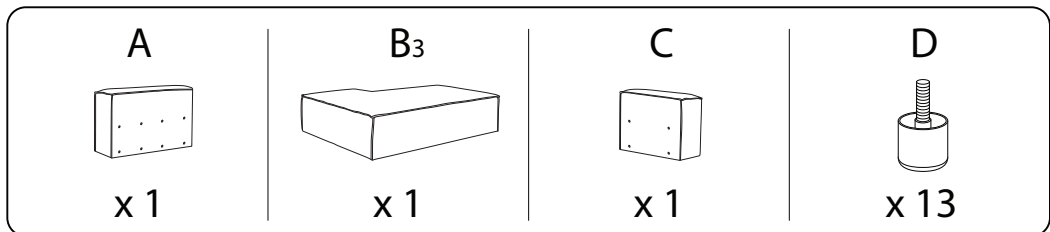


<b>F</b>  <b>x 8</b>	<b>G<sub>1</sub></b>  <b>x 2</b>	<b>G<sub>2</sub></b>  <b>x 2</b>	<b>H</b>  <b>x 8</b>	<b>I</b>  <b>x 1</b>
---	---	---	---	---

!



1



2

E

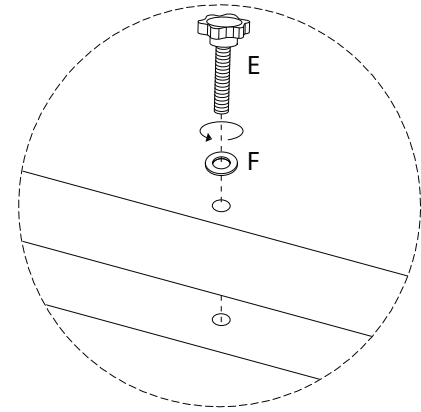
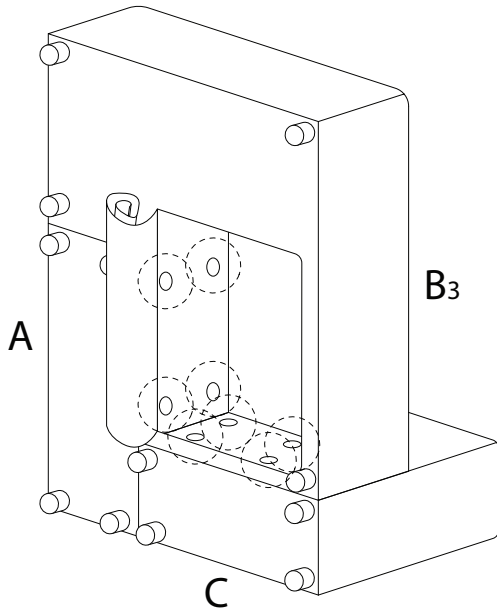


x 8

F

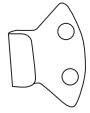


x 8



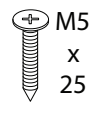
3

G<sub>2</sub>



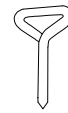
x 2

H

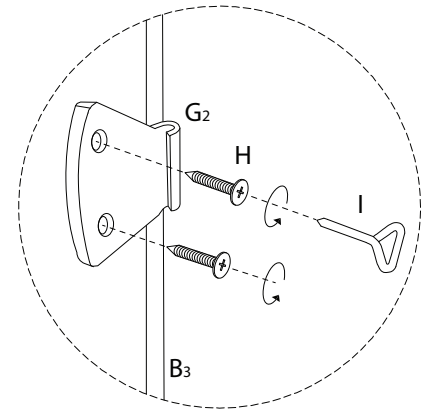
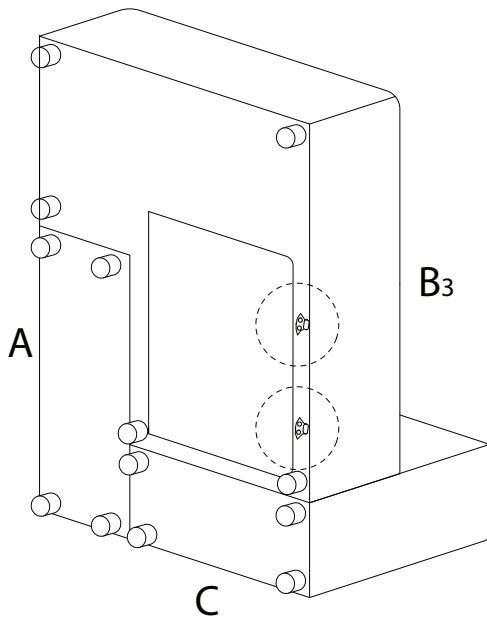


x 4

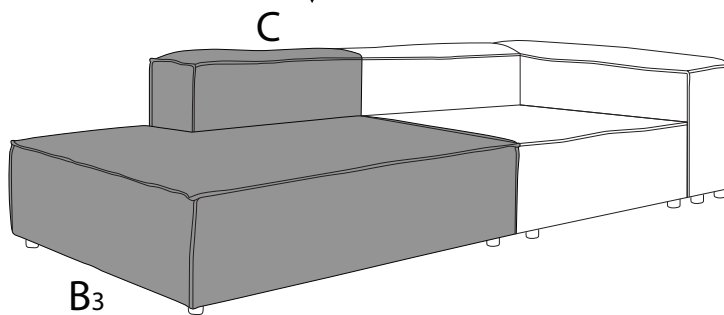
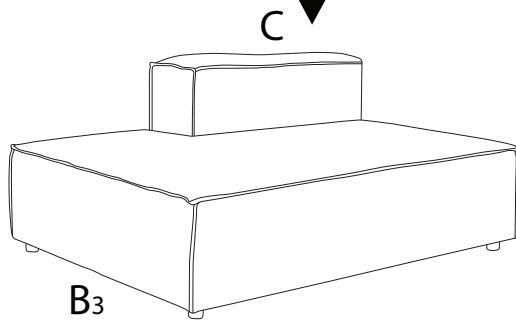
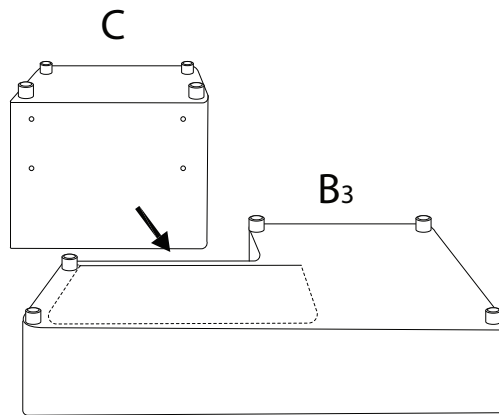
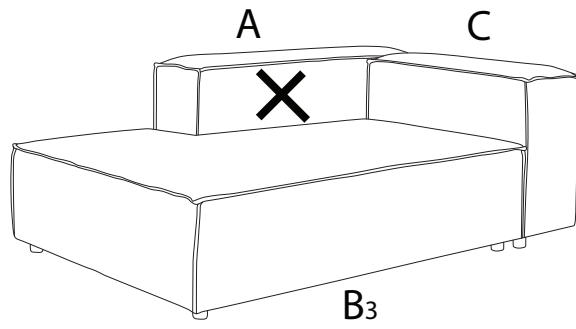
I



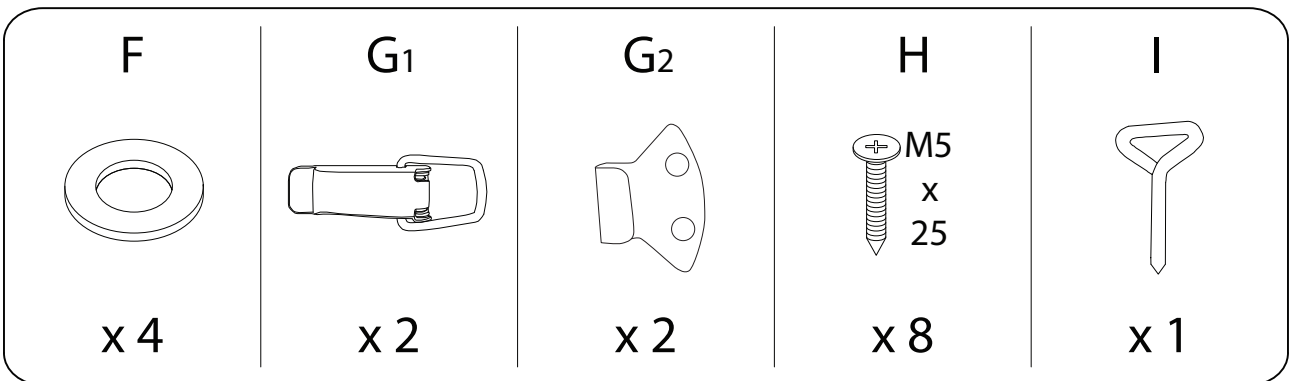
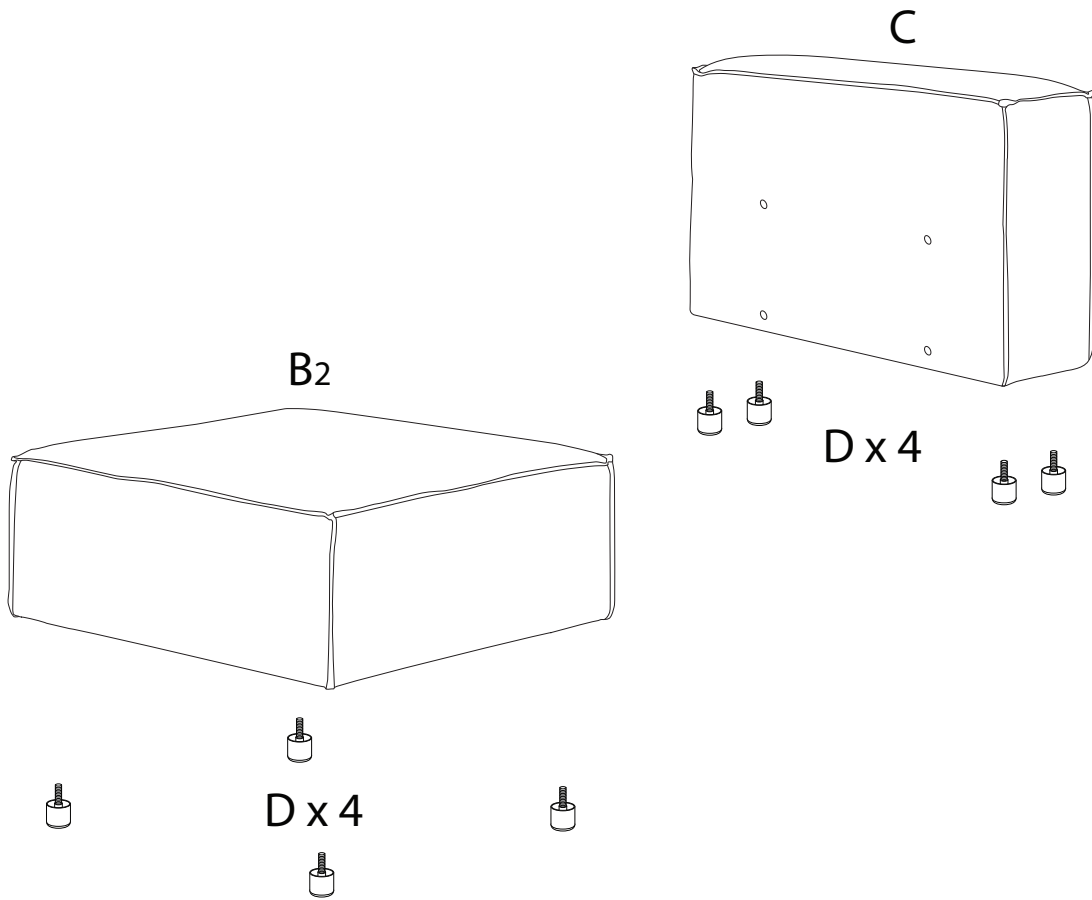
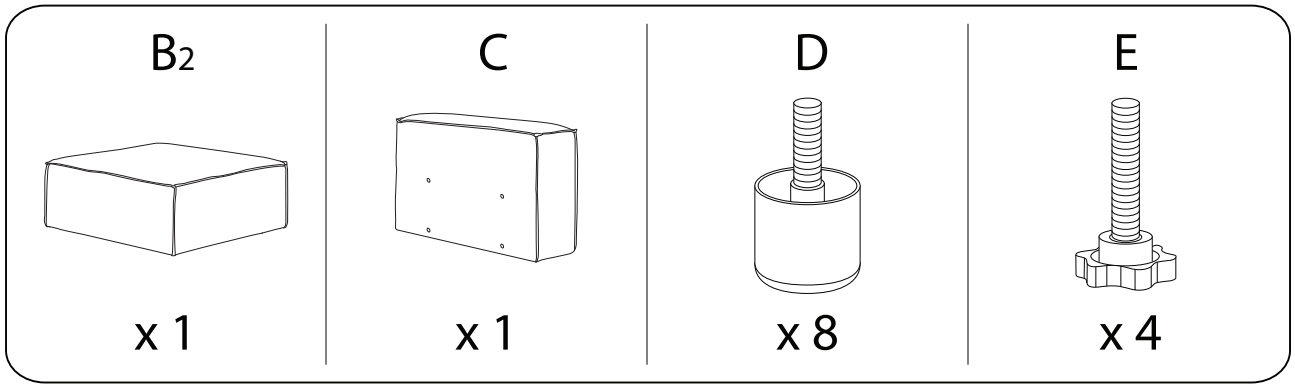
x 1



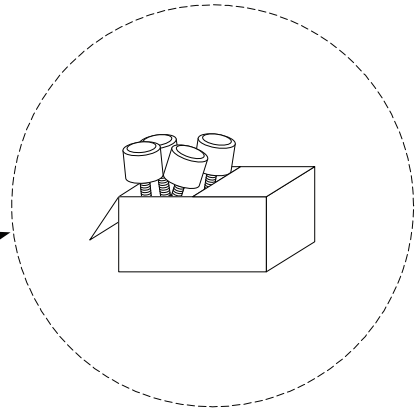
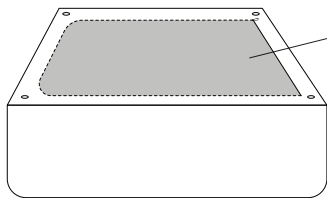
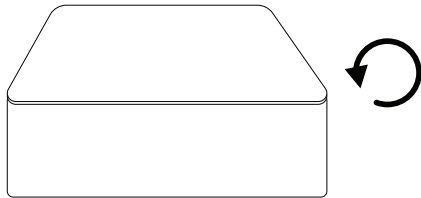
!



# B



!



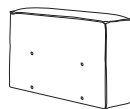
1

B<sub>2</sub>



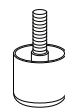
x 1

C

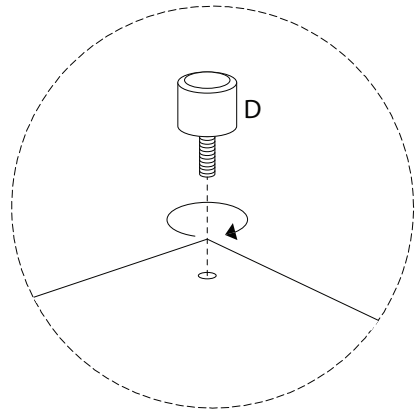
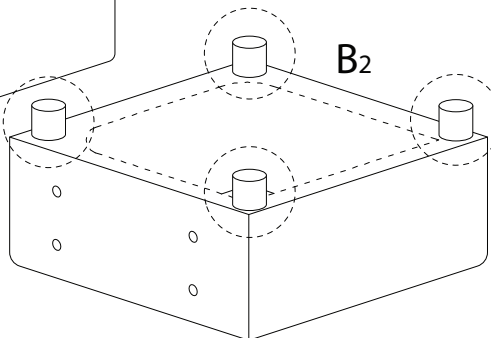
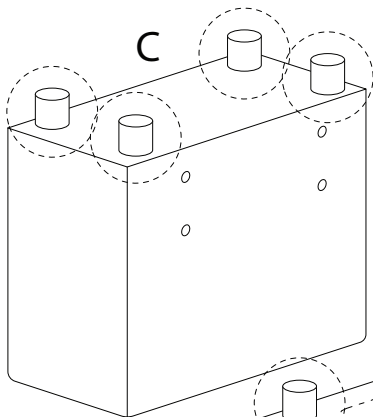


x 1

D



x 8





2

E

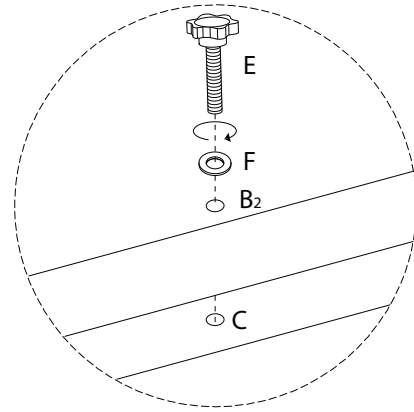
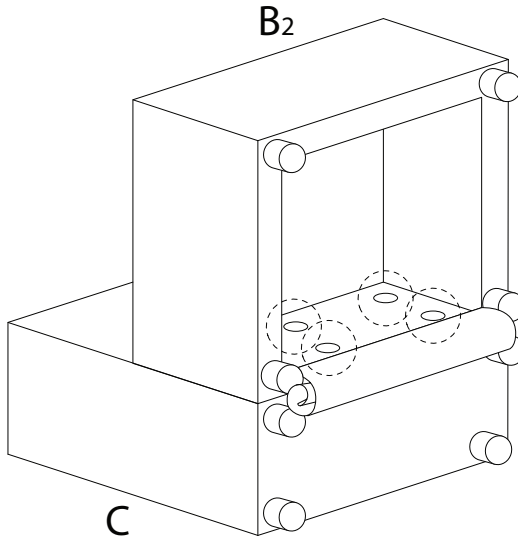


x 4

F

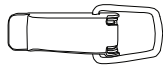


x 4



3

G1



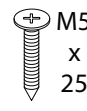
x 2

G2



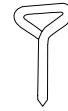
x 2

H

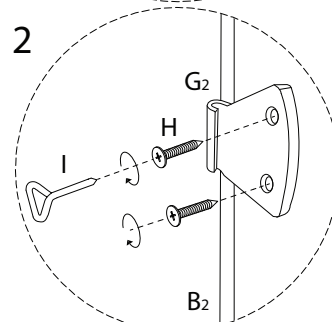
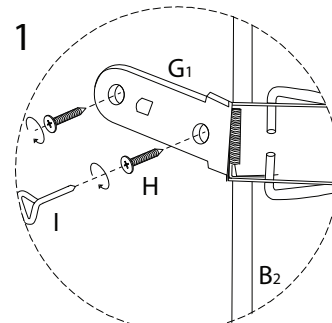
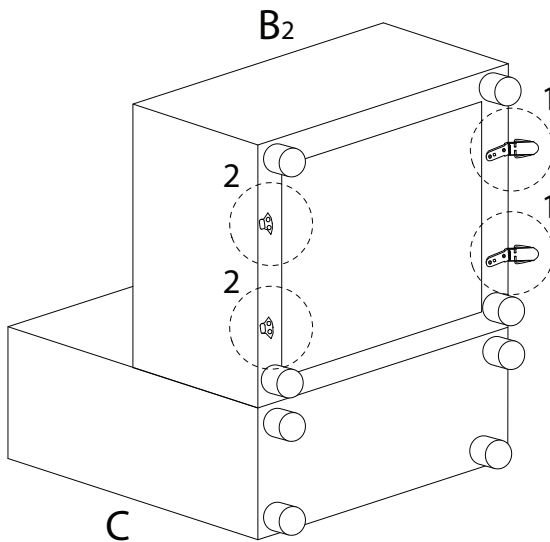


x 8

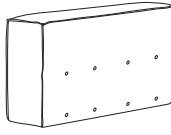
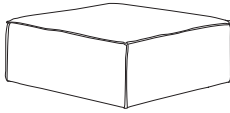
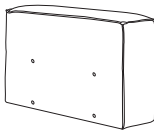
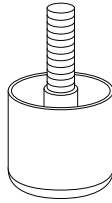
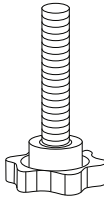
I

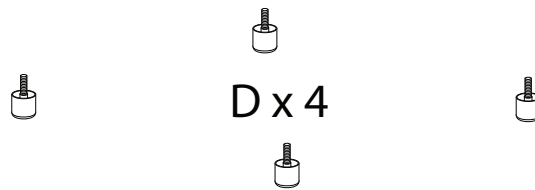
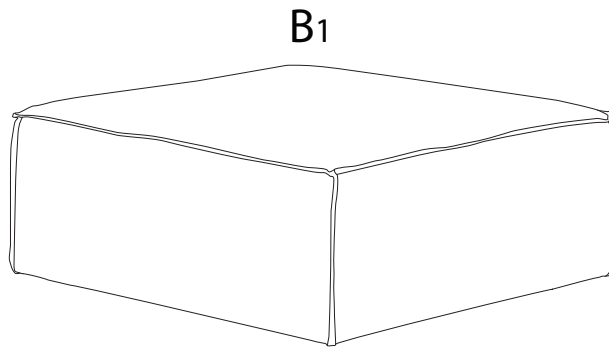
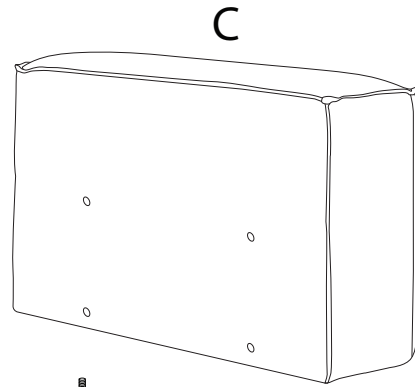
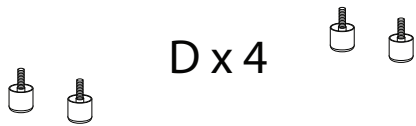
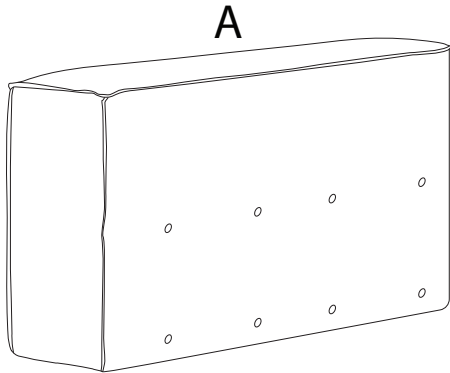


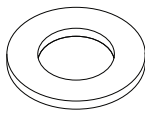
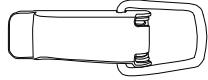
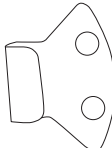

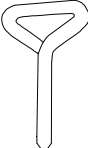
x 1



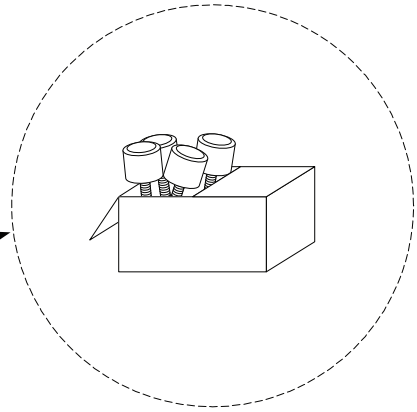
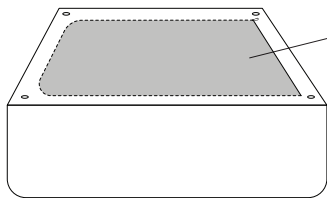
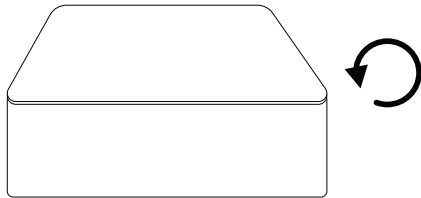
# C

<b>A</b>	<b>B<sub>1</sub></b>	<b>C</b>	<b>D</b>	<b>E</b>
				
<b>x 1</b>	<b>x 1</b>	<b>x 1</b>	<b>x 12</b>	<b>x 8</b>

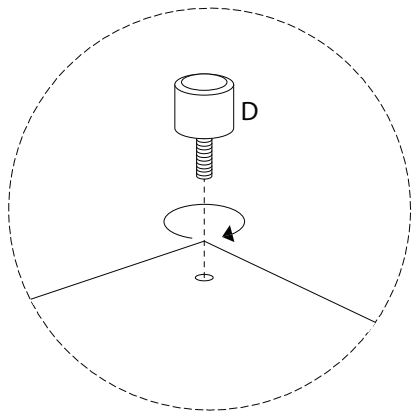
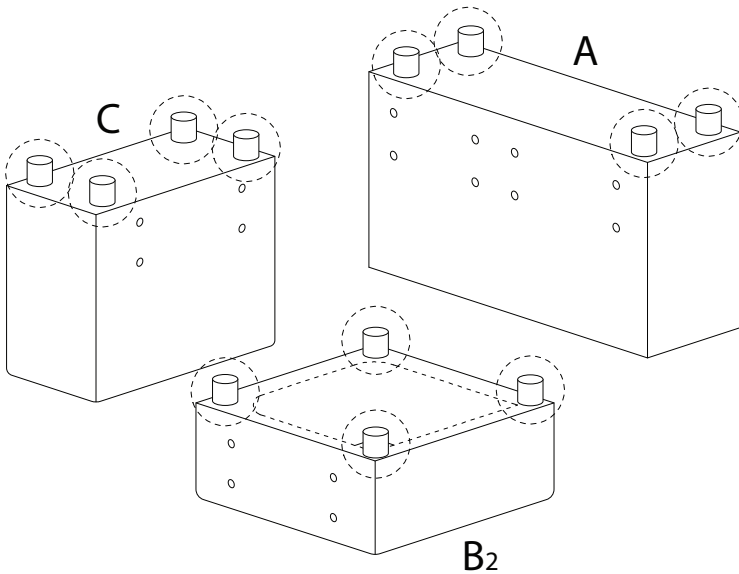
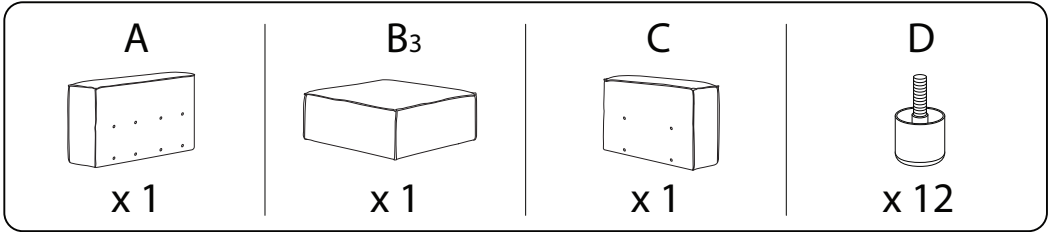


<b>F</b>	<b>G<sub>1</sub></b>	<b>G<sub>2</sub></b>	<b>H</b>	<b>I</b>
				
<b>x 8</b>	<b>x 2</b>	<b>x 2</b>	<b>x 8</b>	<b>x 1</b>

!



1



2R

E

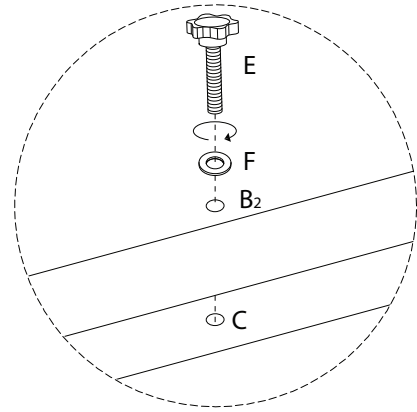
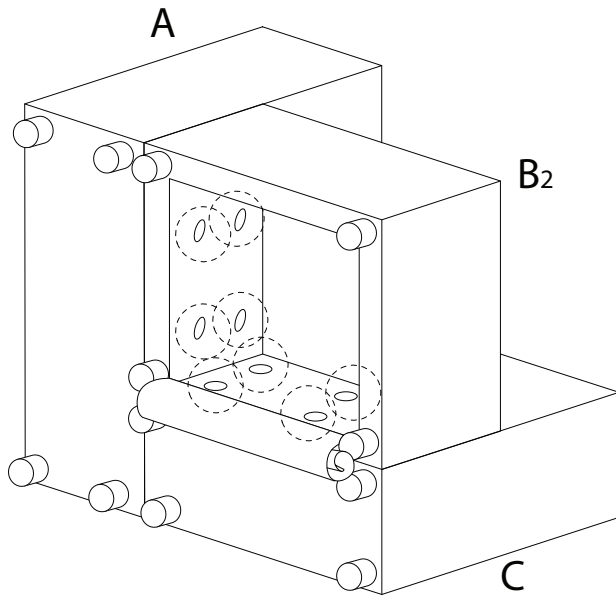


x 4

F



x 4



2L

E

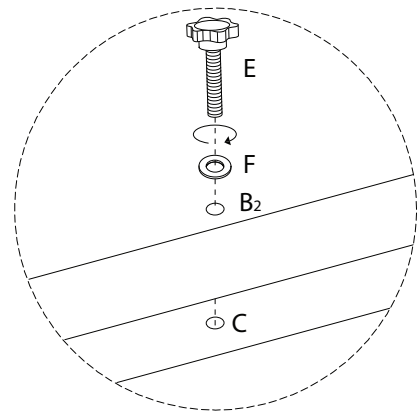
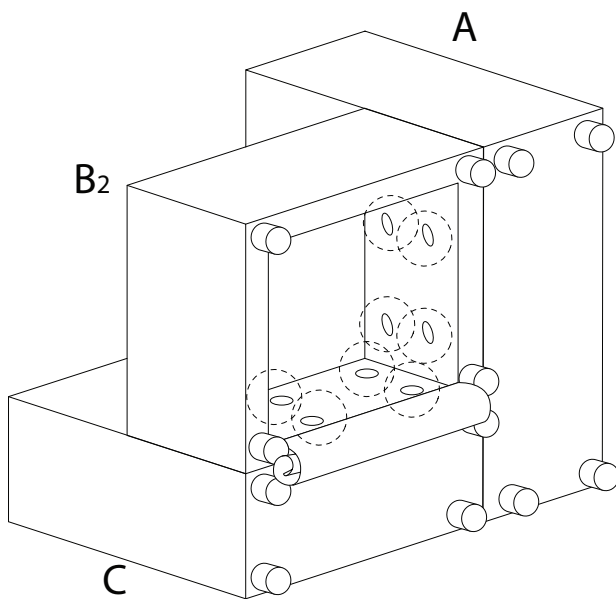


x 4

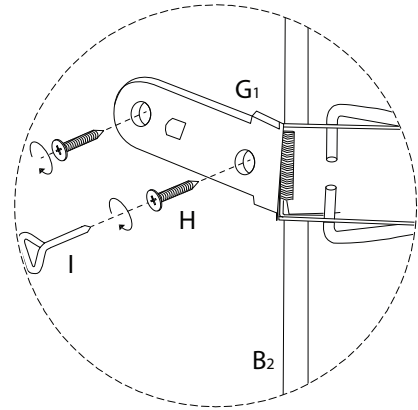
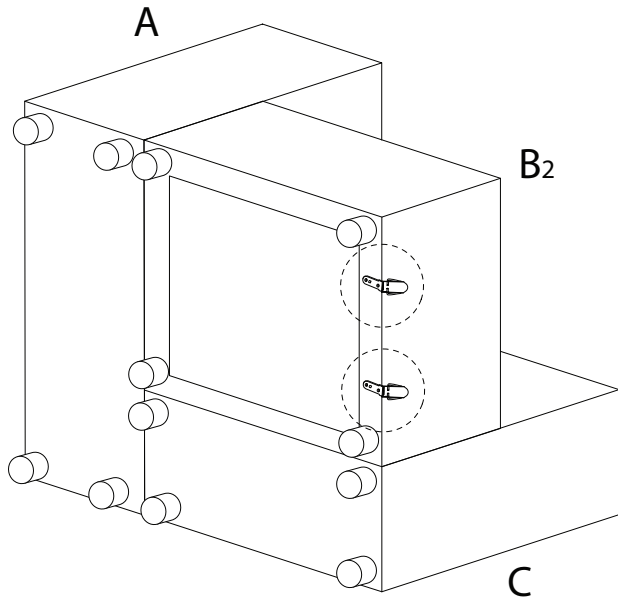
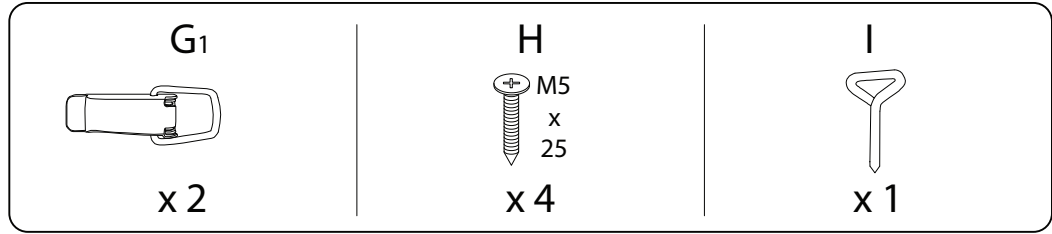
F



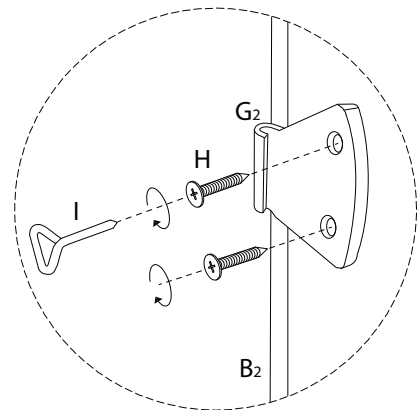
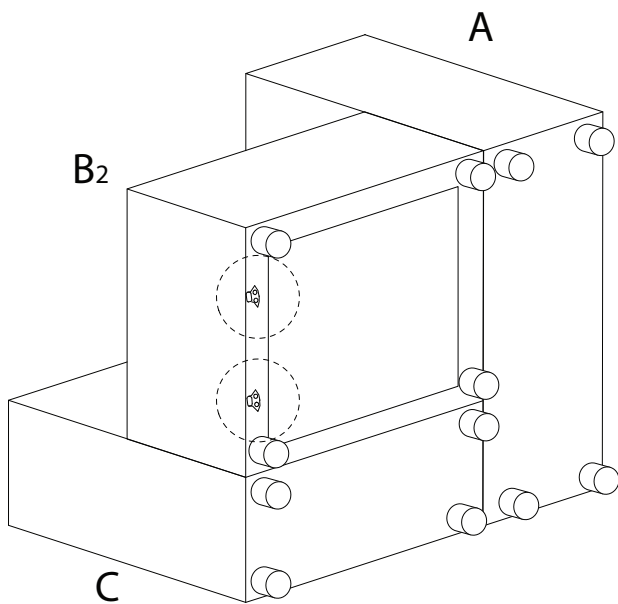
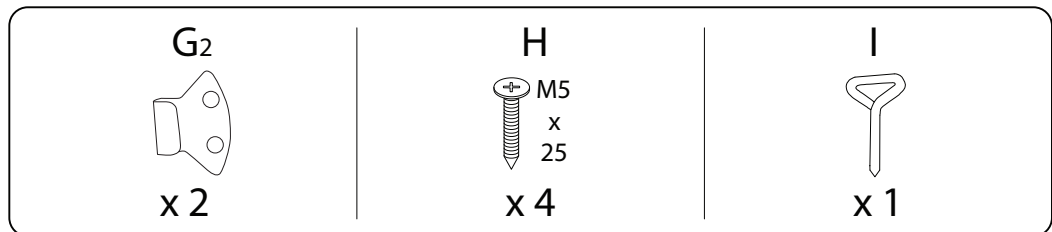
x 4



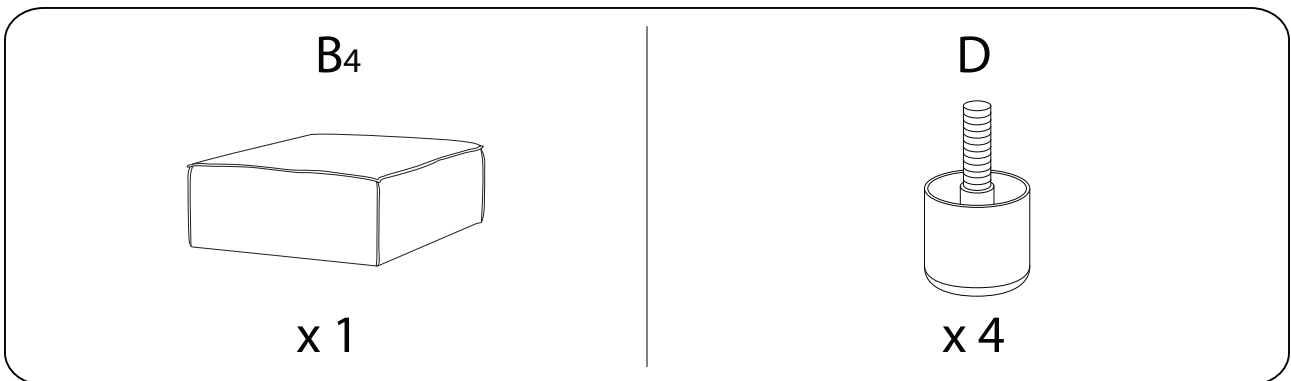
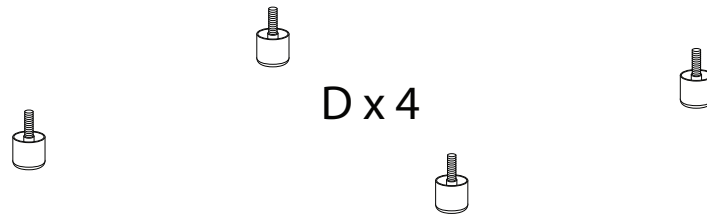
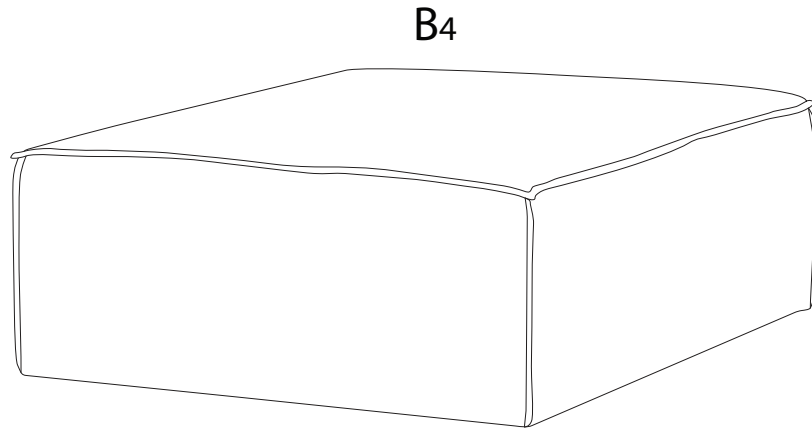
3R



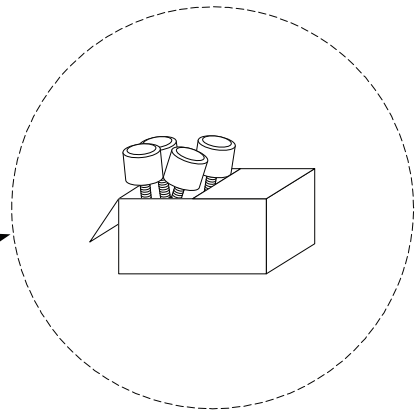
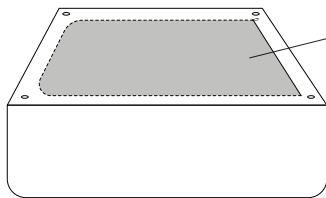
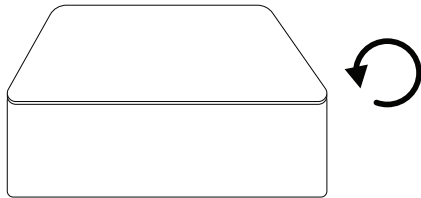
3L



D

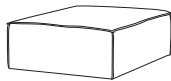


!



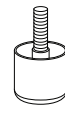
1

B<sub>4</sub>

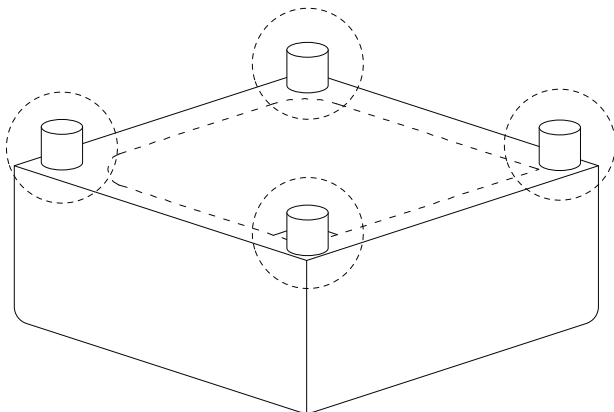


x 1

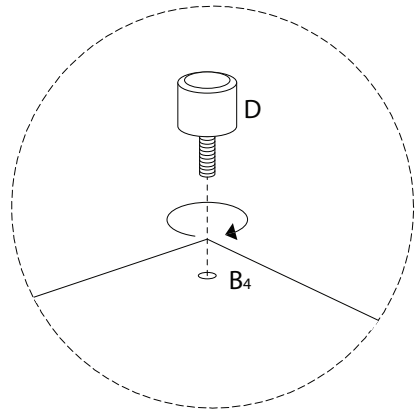
D



x 4



B<sub>4</sub>



!

