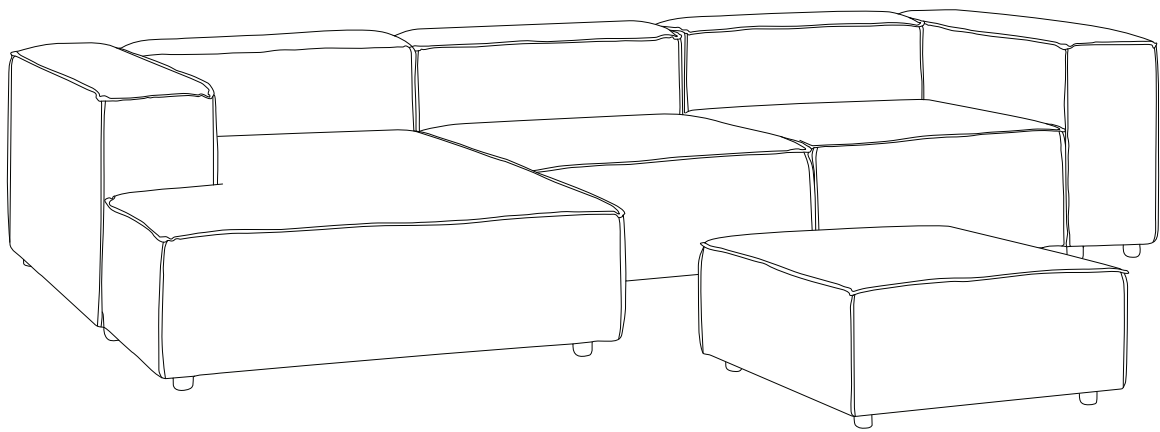
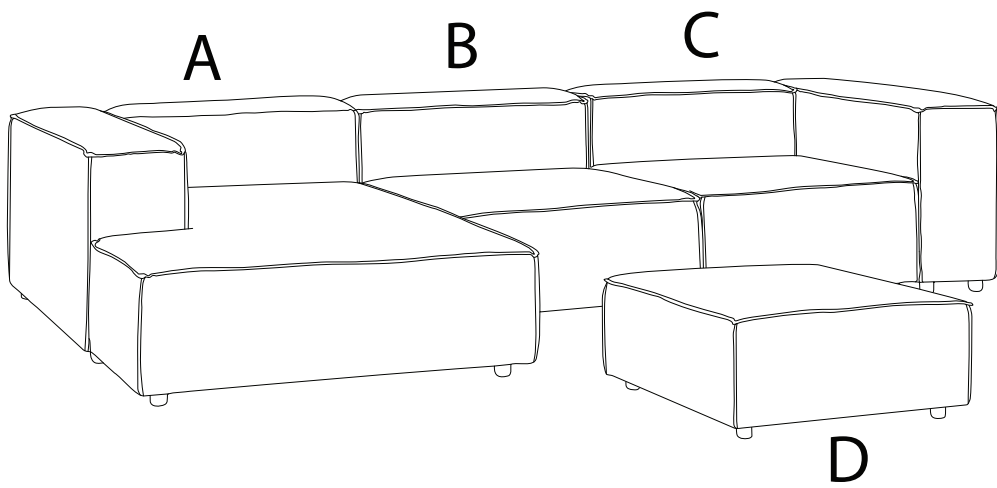
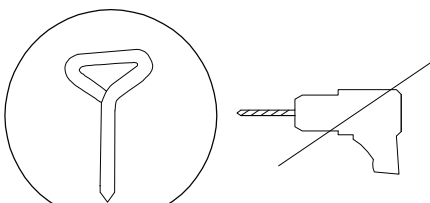

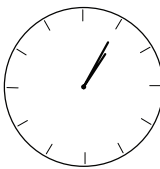
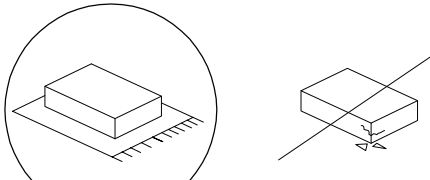

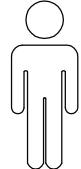


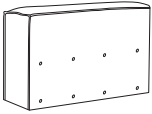
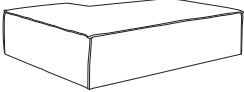
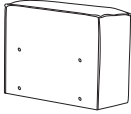
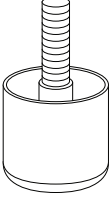
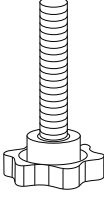
APRICA

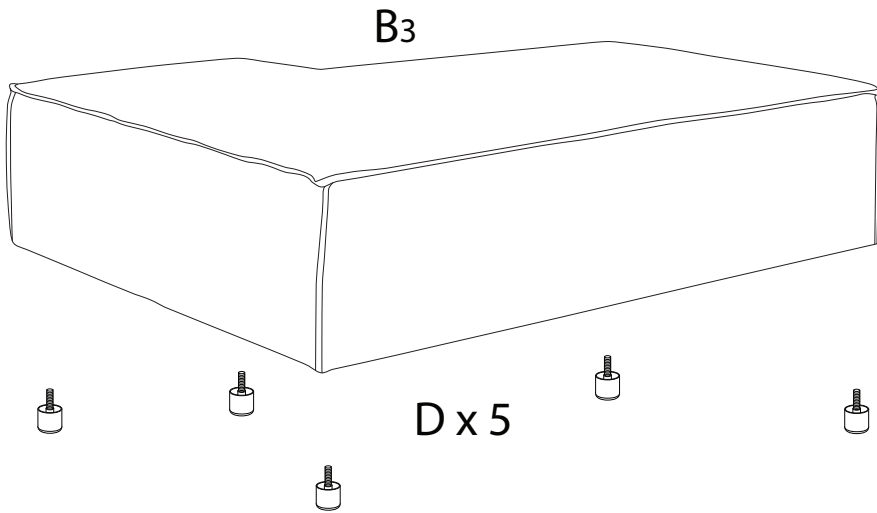
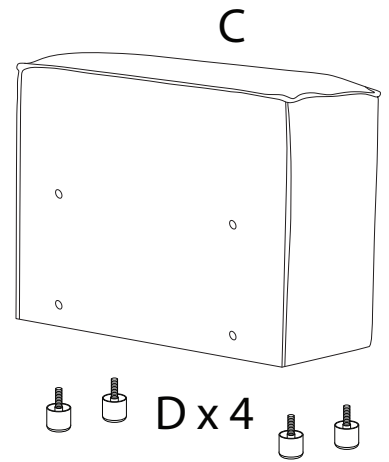
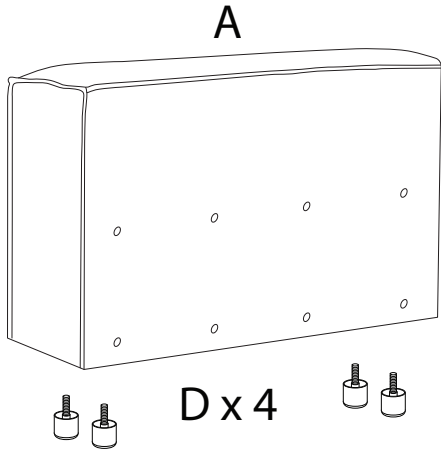


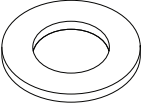
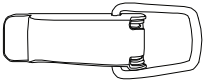
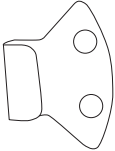

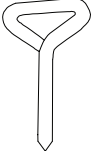


		
		105'
		
		2

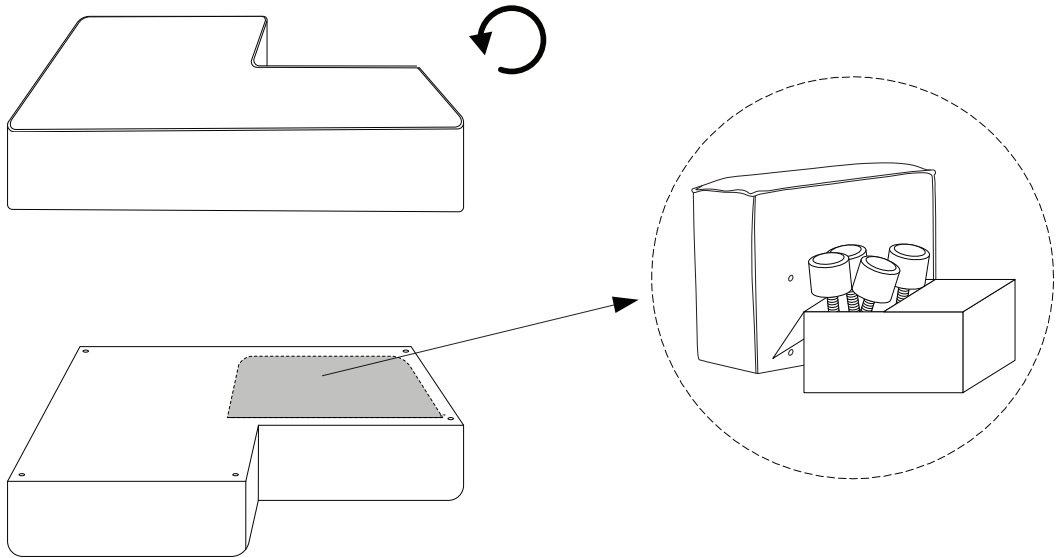
A

A  x 1	B₃  x 1	C  x 1	D  x 13	E  x 8
---	---	---	--	---

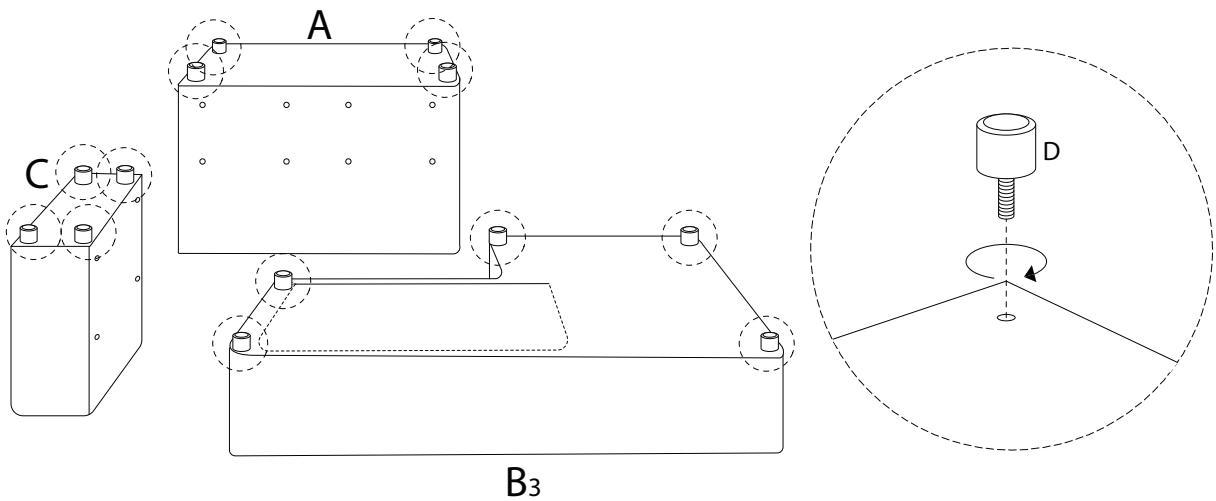
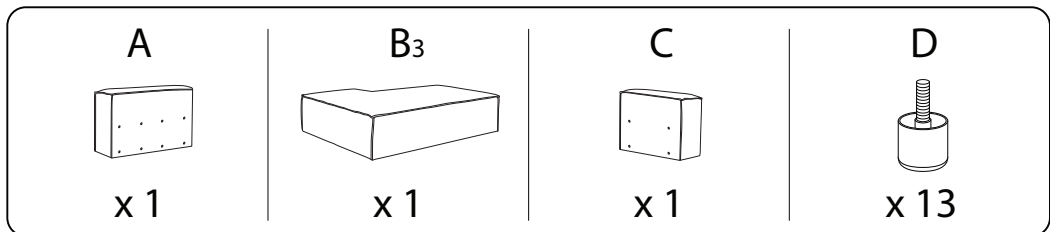


F  x 8	G₁  x 2	G₂  x 2	H  x 8	I  x 1
---	---	---	---	---

!



1



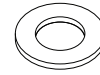
2

E

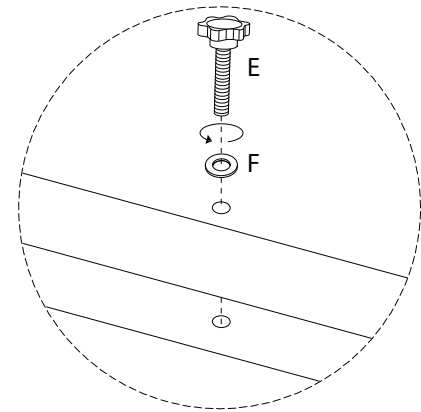
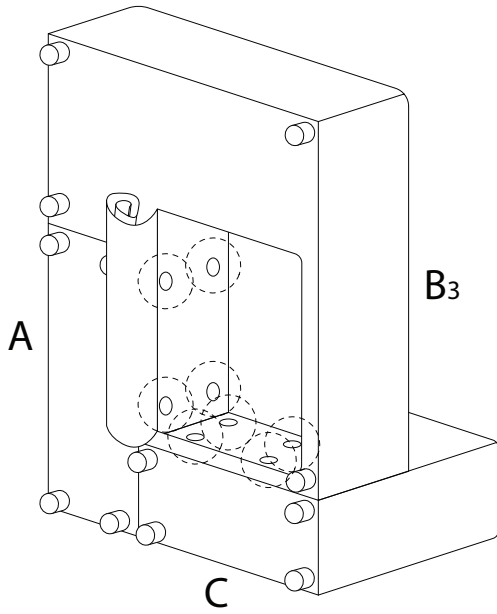


x 8

F

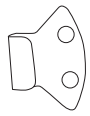


x 8



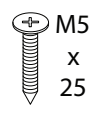
3

G2



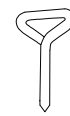
x 2

H

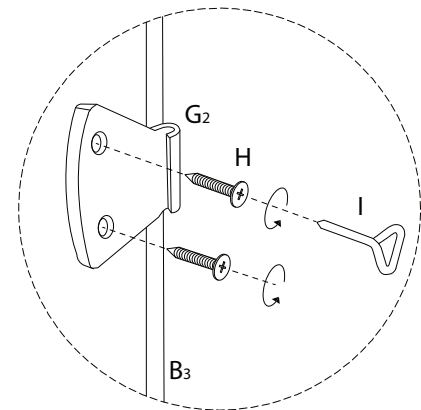
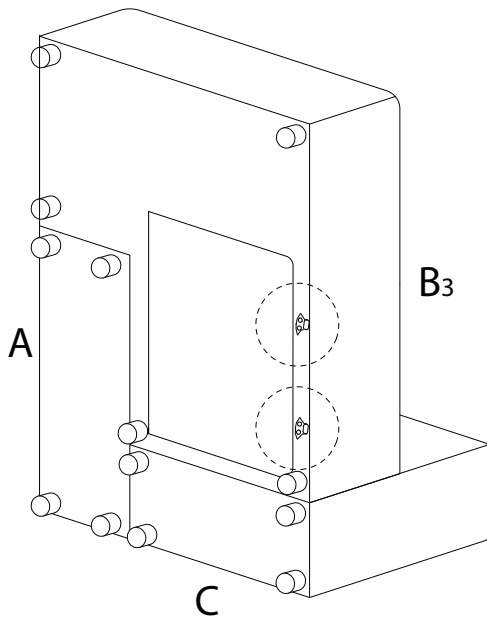


x 4

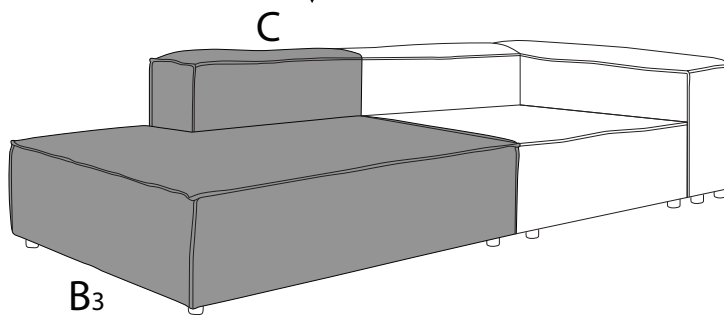
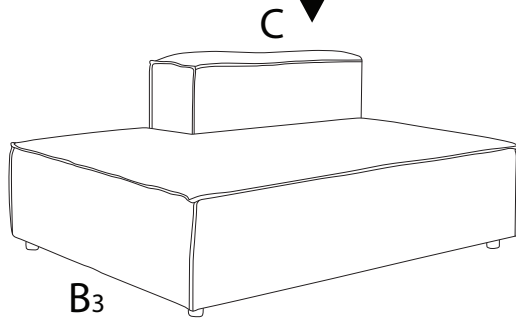
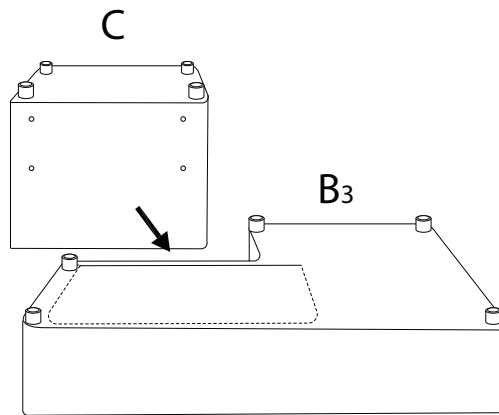
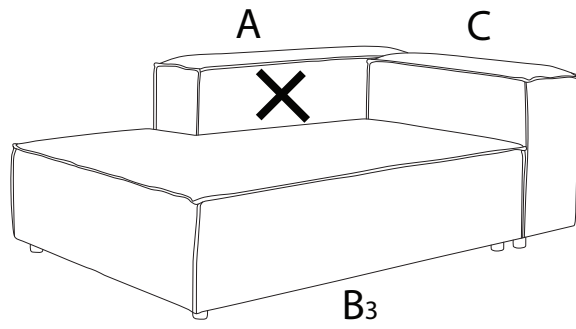
I



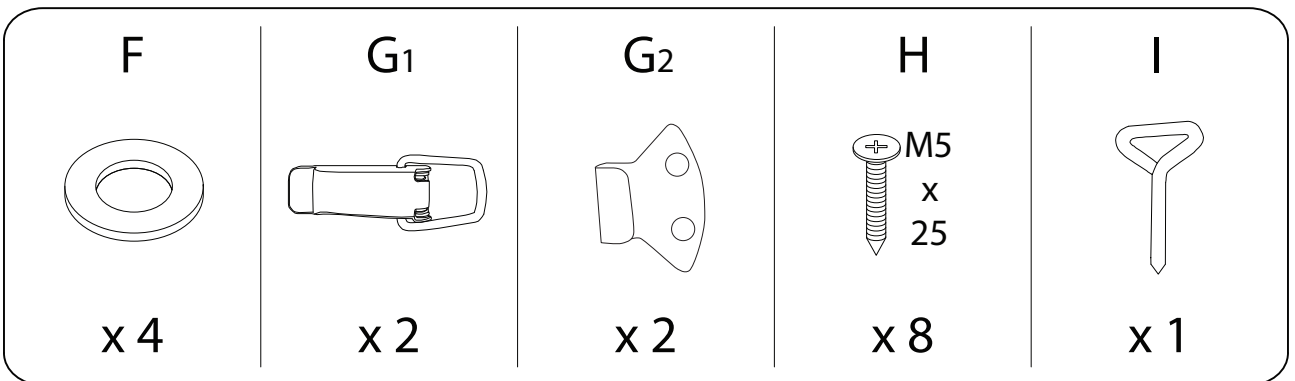
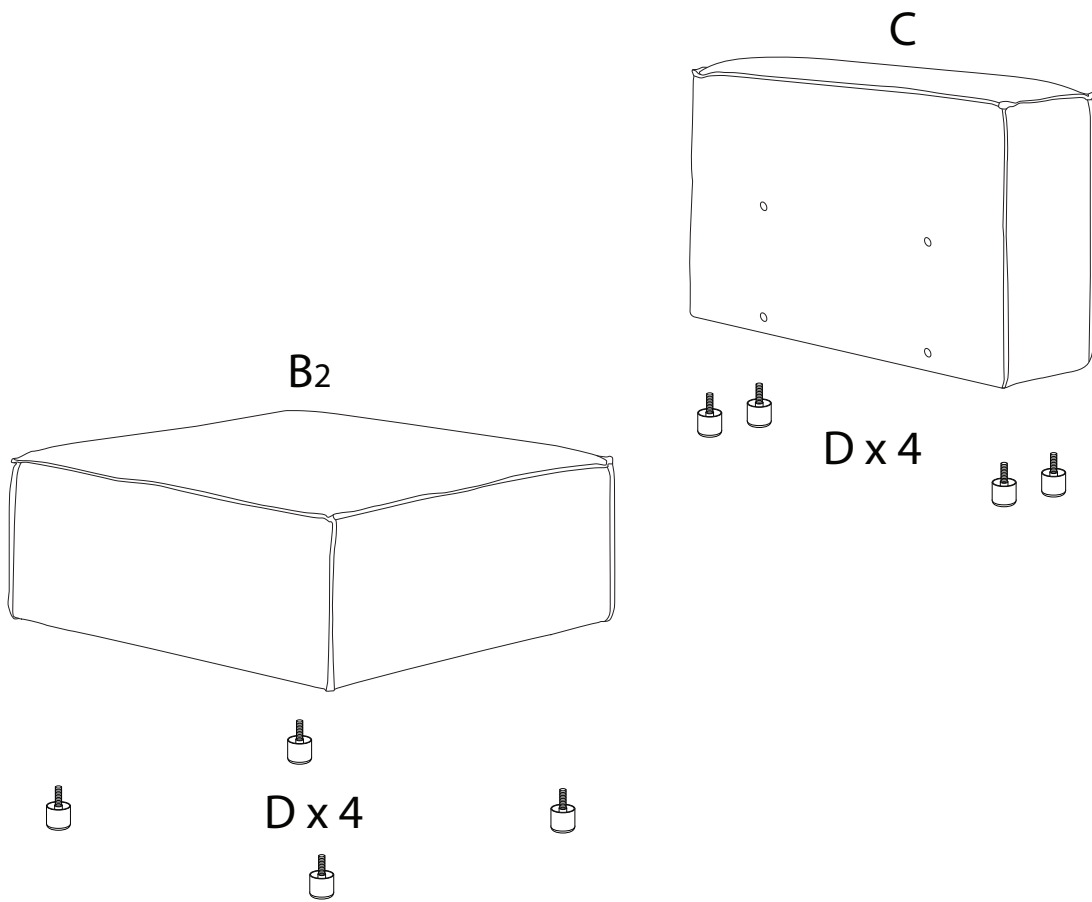
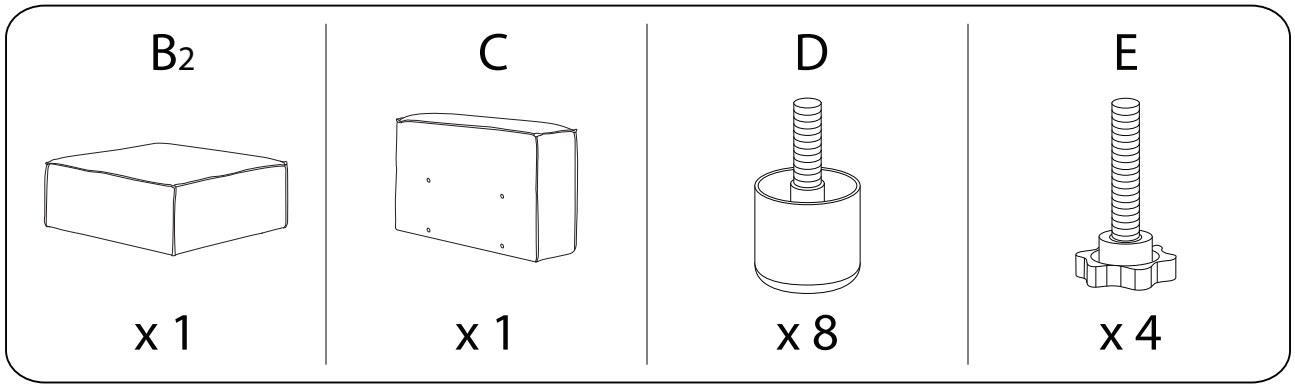
x 1



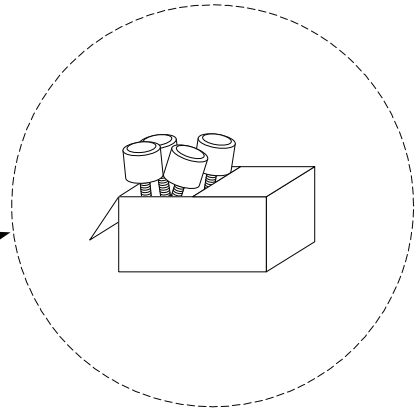
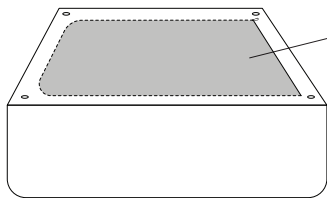
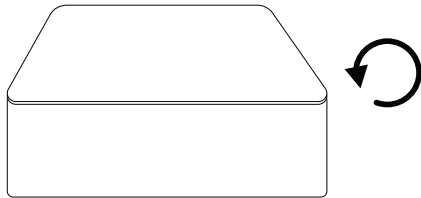
!



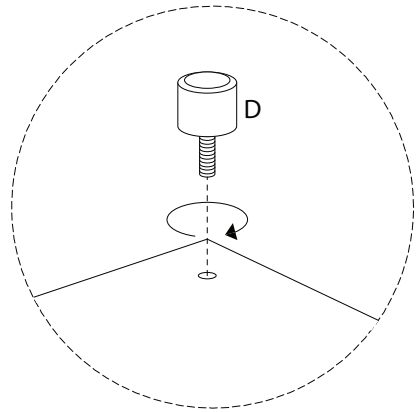
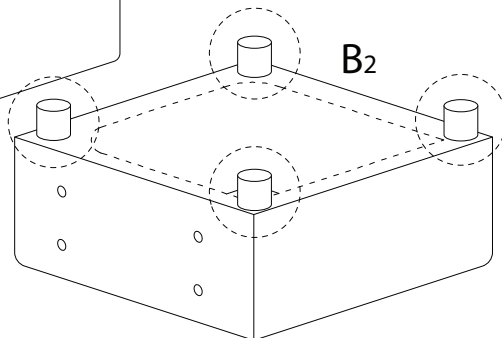
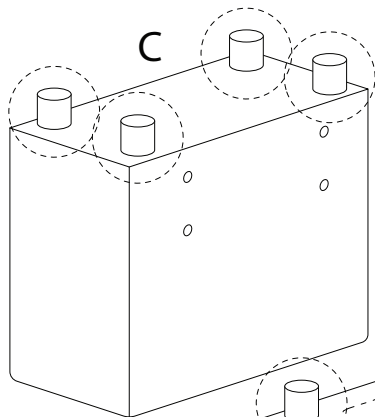
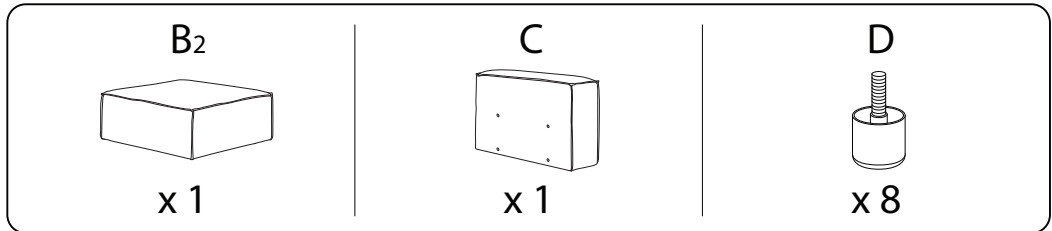
B



!



1



2

E

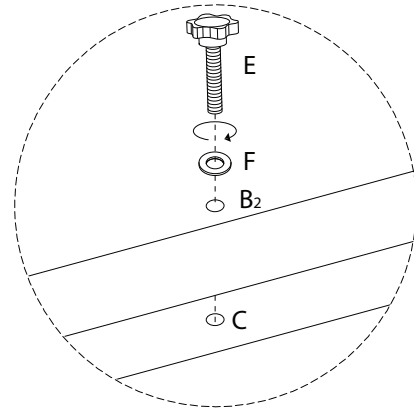
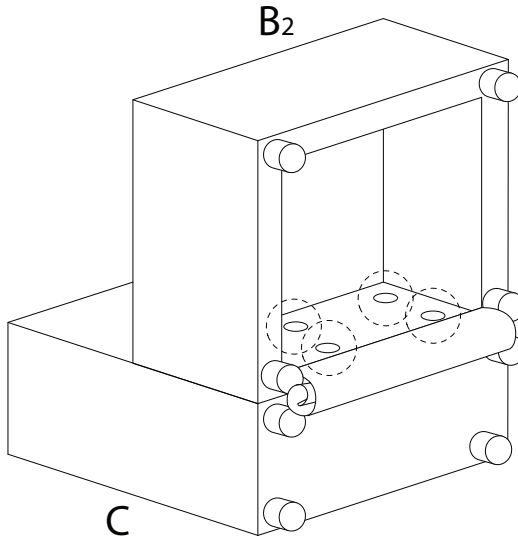


x 4

F

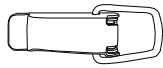


x 4



3

G1



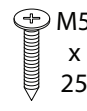
x 2

G2



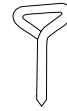
x 2

H

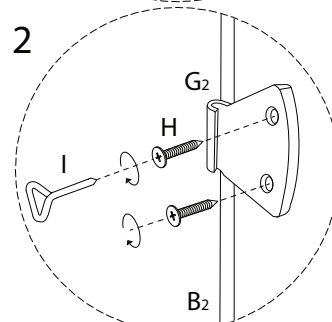
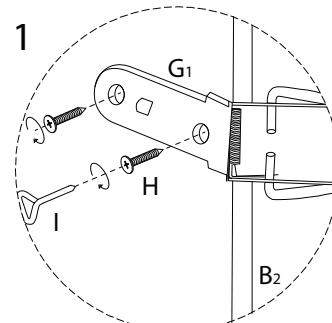
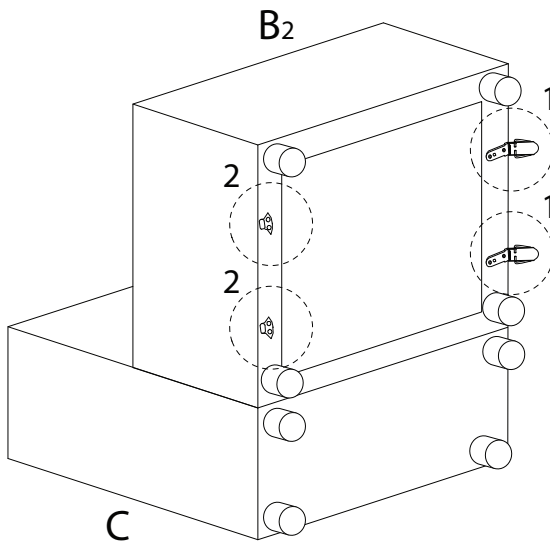


x 8

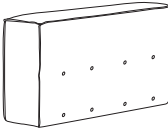
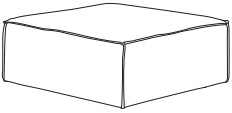
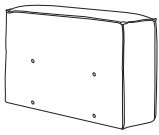
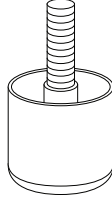
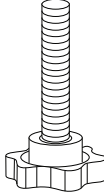
I

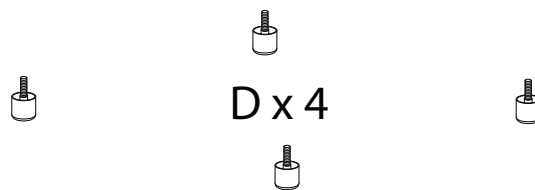
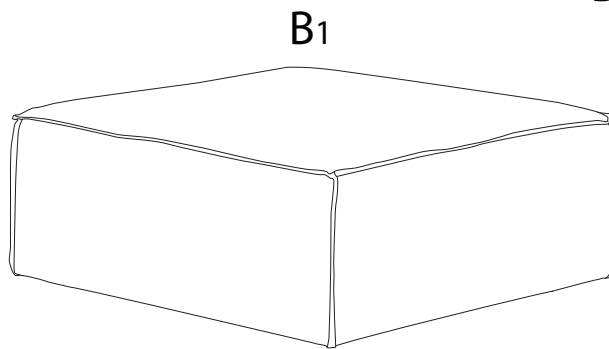
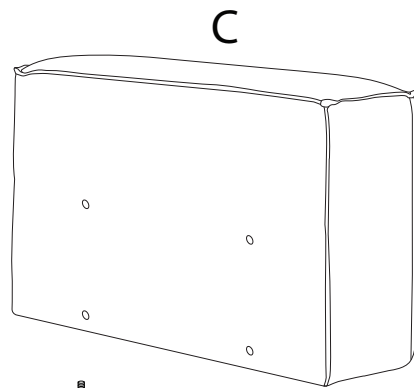
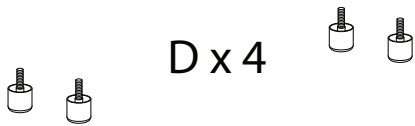
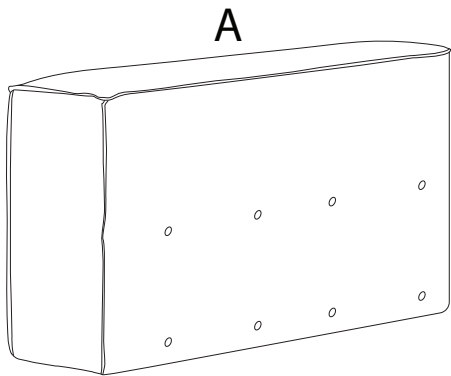


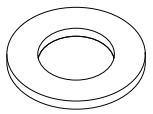
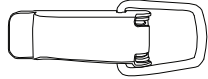
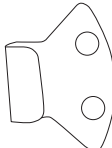
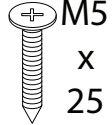
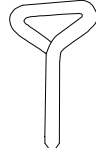
x 1



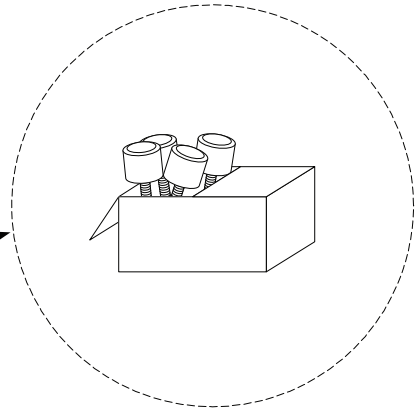
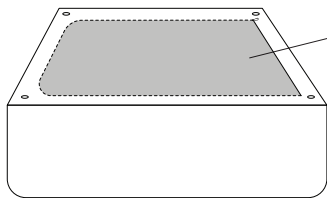
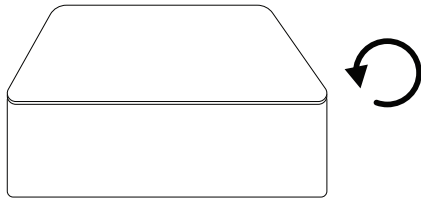
C

A	B₁	C	D	E
				
x 1	x 1	x 1	x 12	x 8

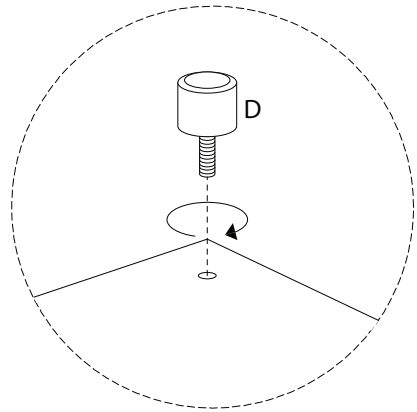
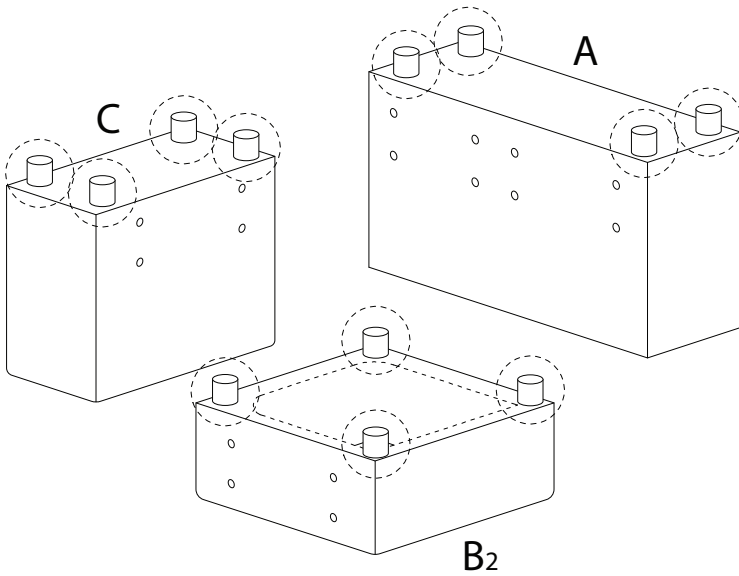
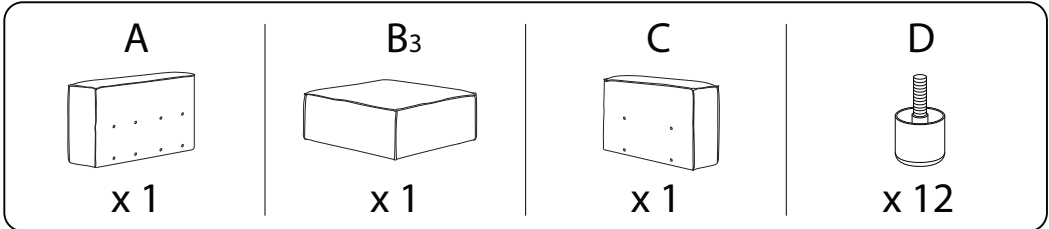


F	G₁	G₂	H	I
				
x 8	x 2	x 2	x 8	x 1

!



1



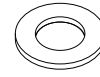
2R

E

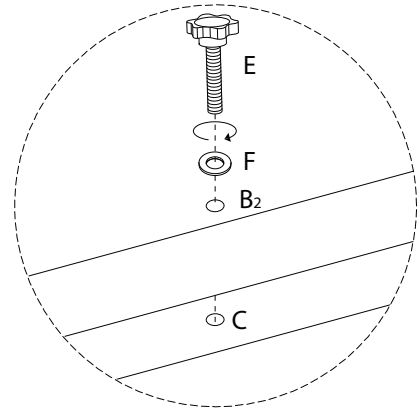
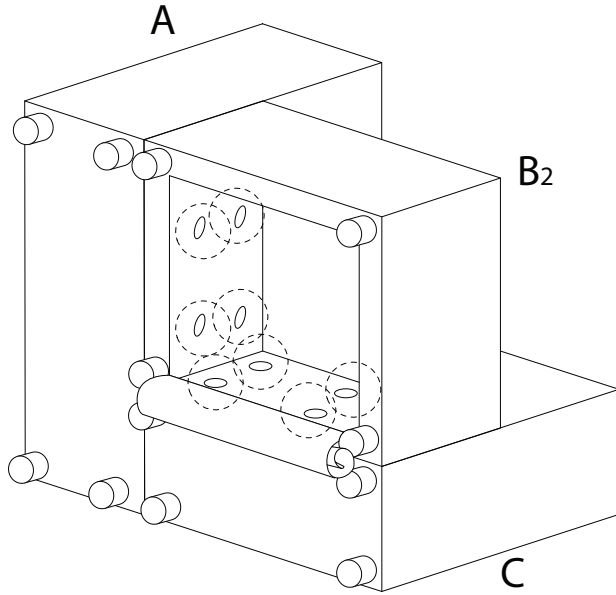


x 4

F



x 4



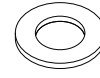
2L

E

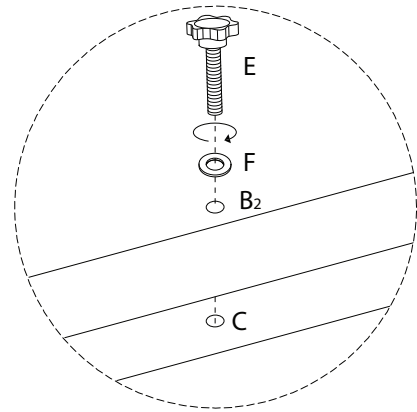
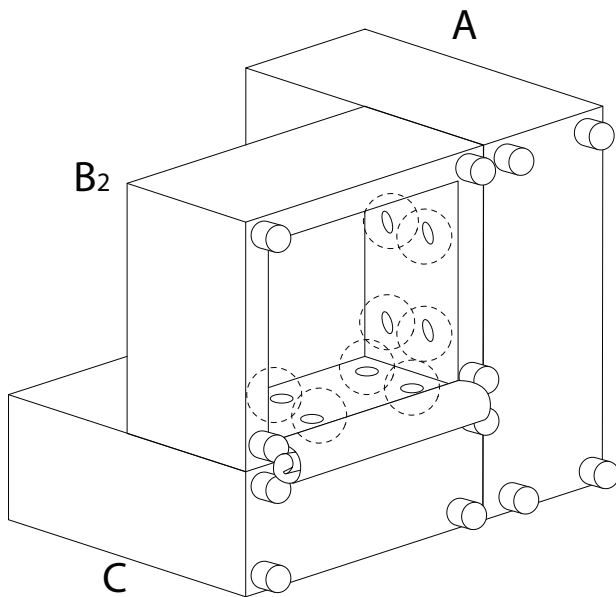


x 4

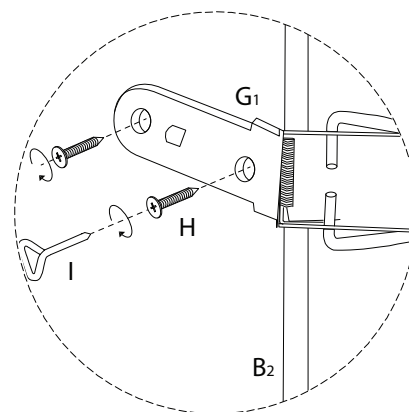
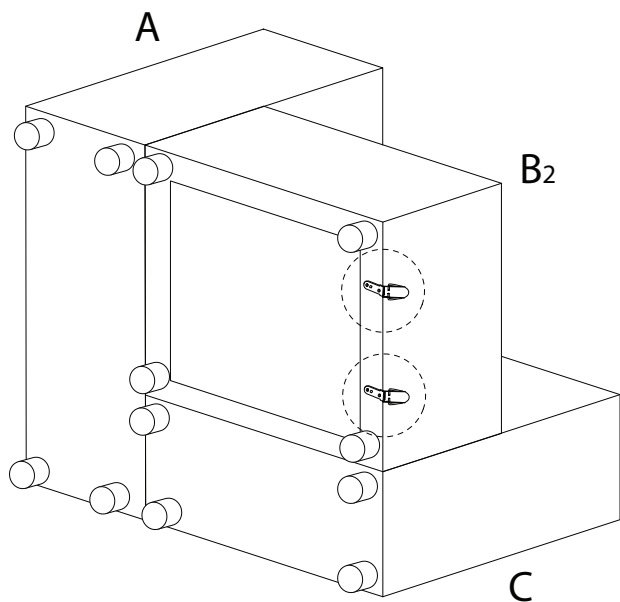
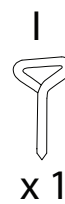
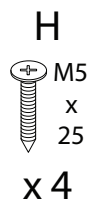
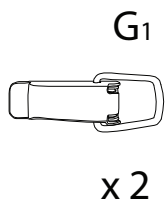
F



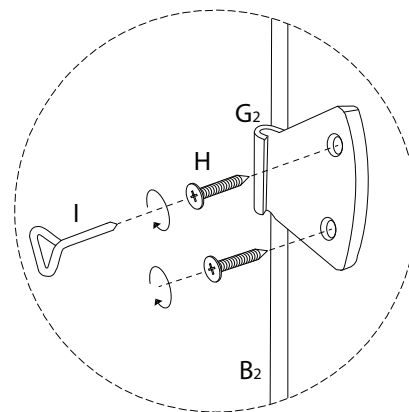
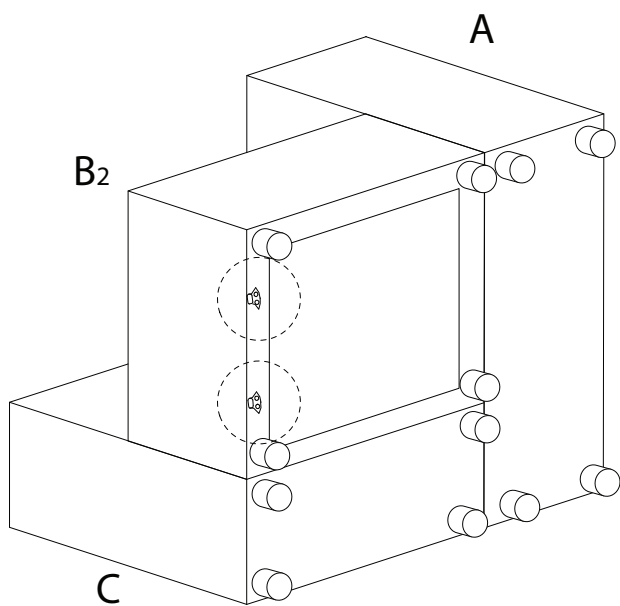
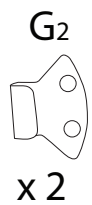
x 4



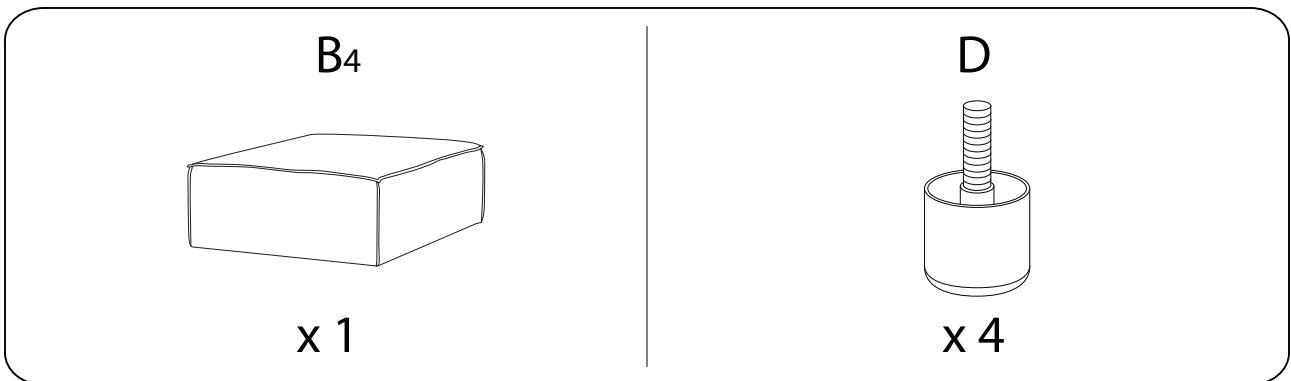
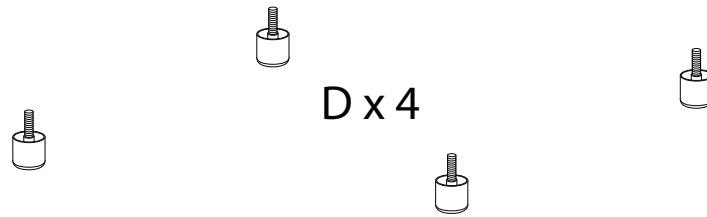
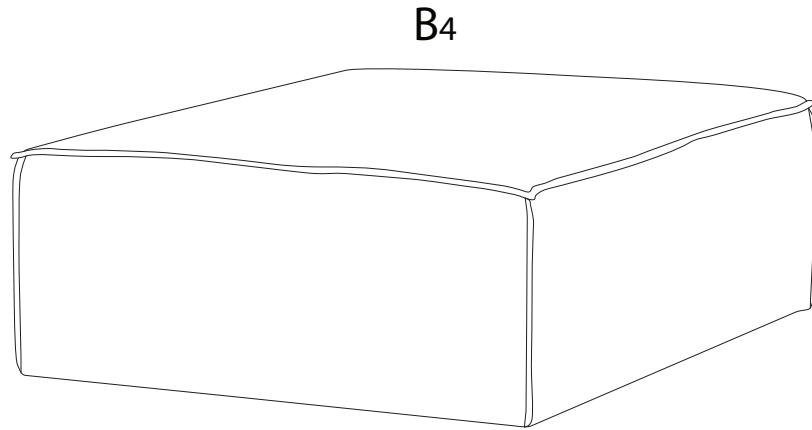
3R



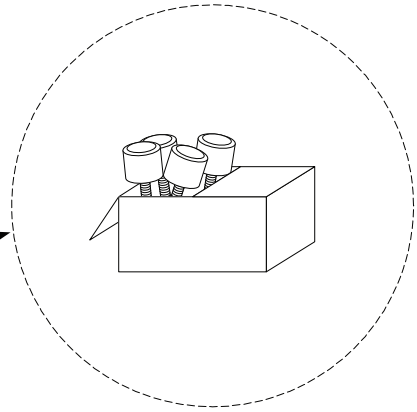
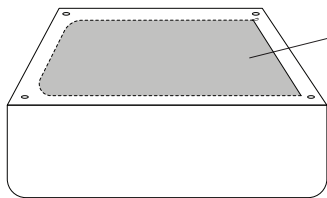
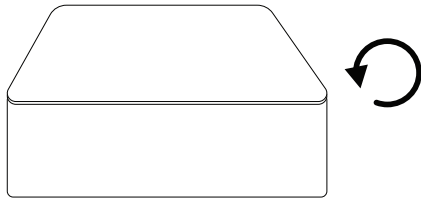
3L



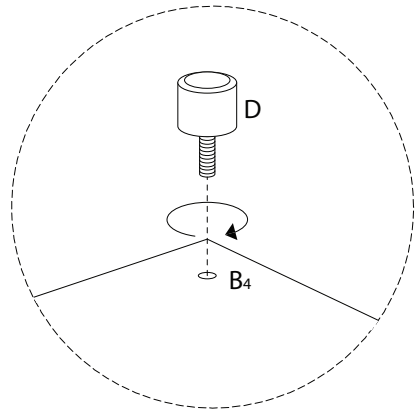
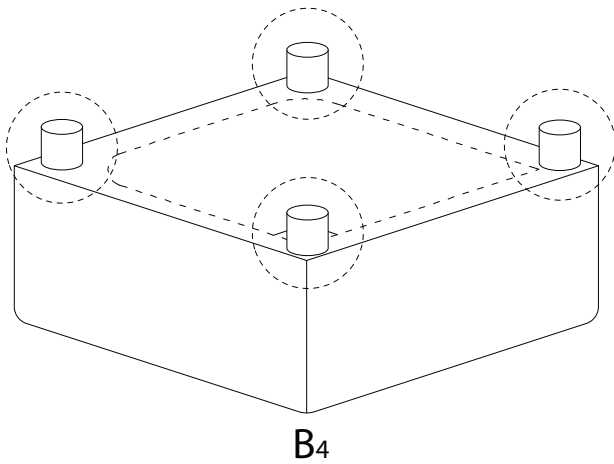
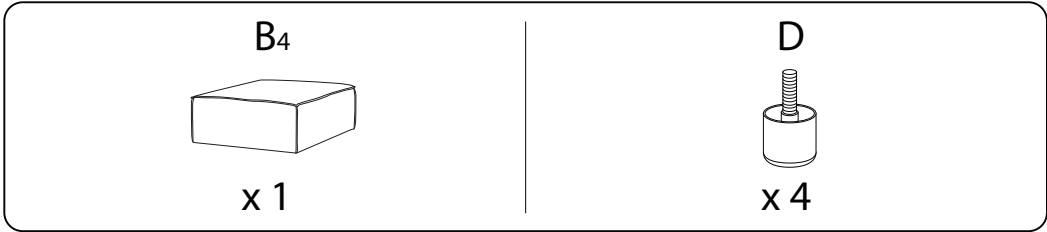
D



!



1



!

