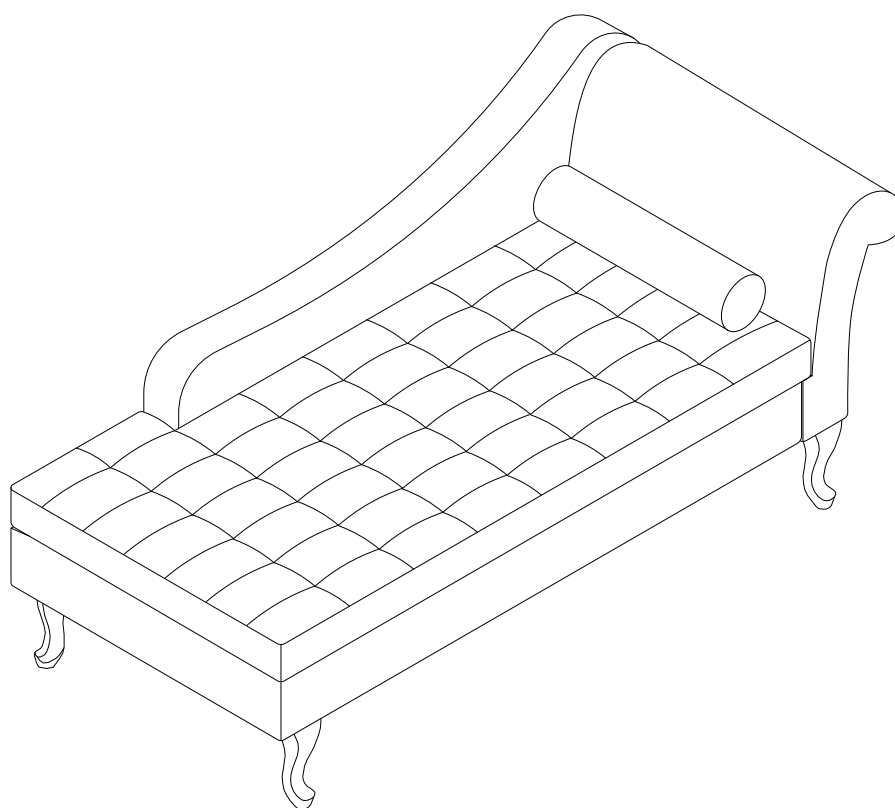
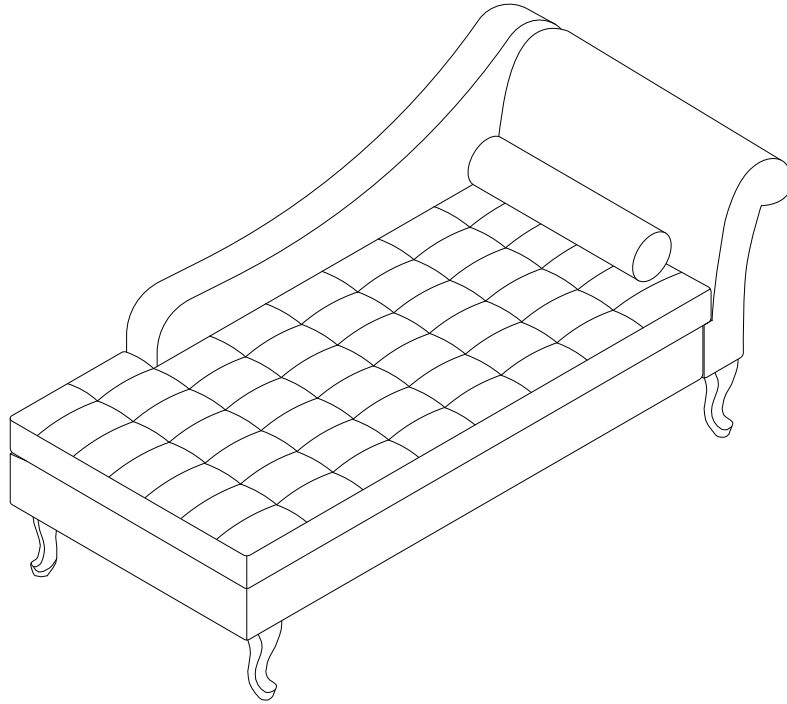
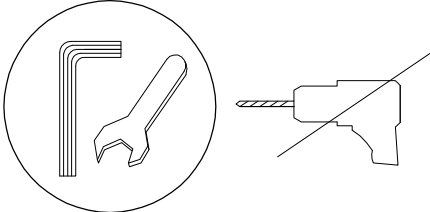

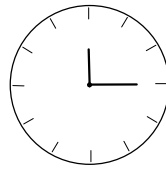
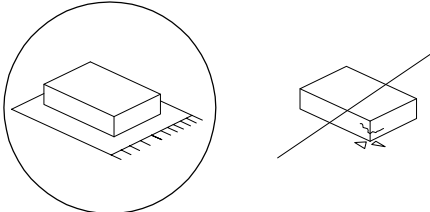




PESSAC

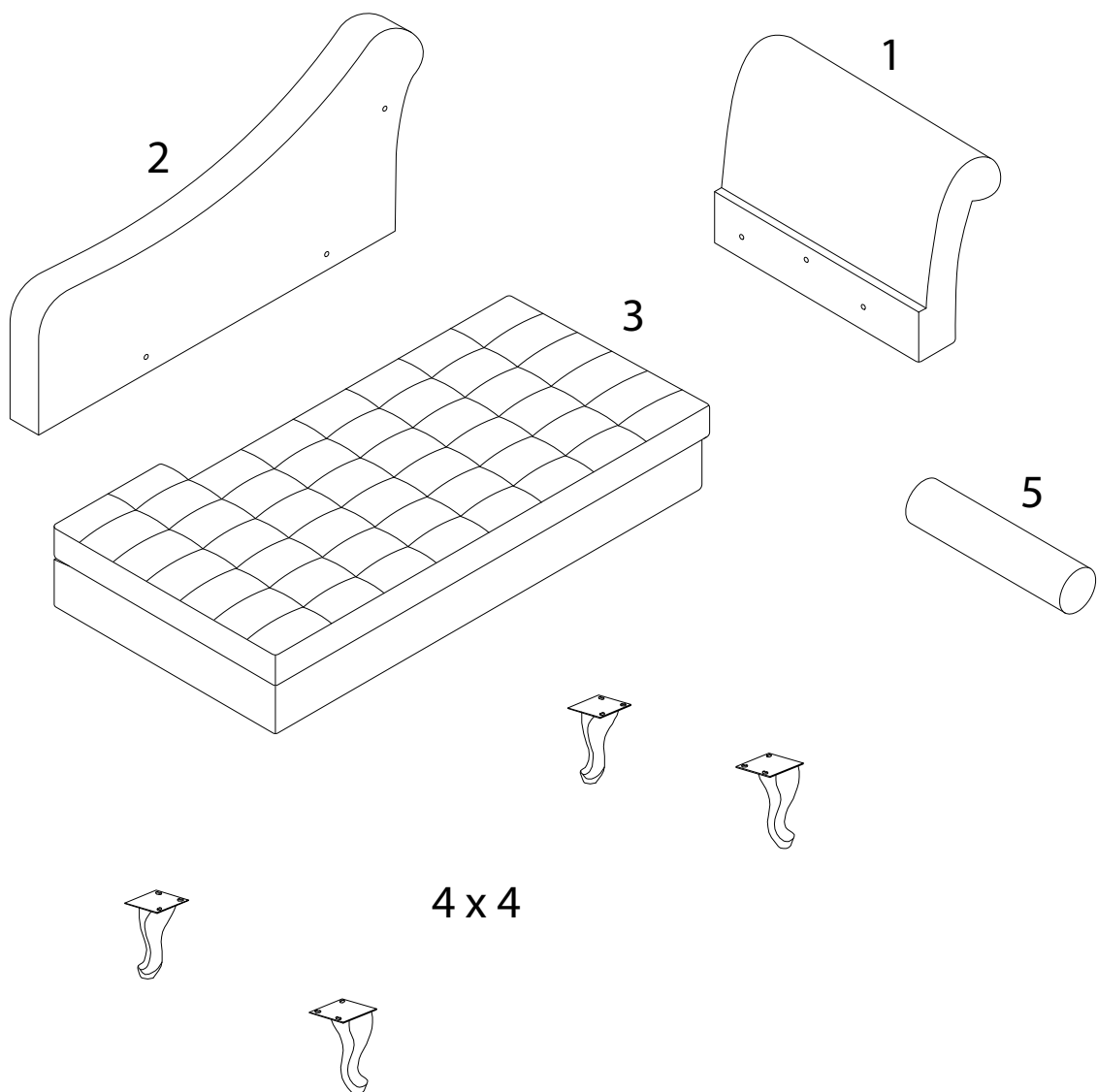


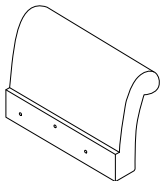
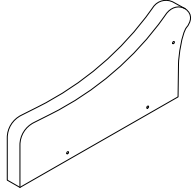
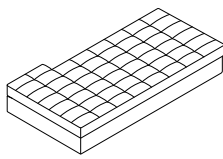
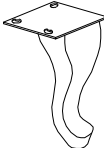
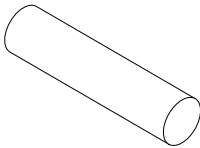


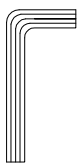
15'

1



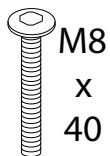
<p>1</p>  <p>x 1</p>	<p>2</p>  <p>x 1</p>	<p>3</p>  <p>x 1</p>	<p>4</p>  <p>x 1</p>	<p>5</p>  <p>x 1</p>
---	---	---	---	---

A



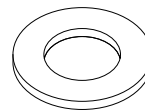
x 1

B



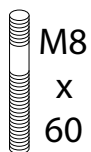
x 5

C



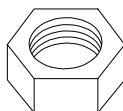
x 6

D



x 1

E



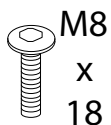
x 1

F



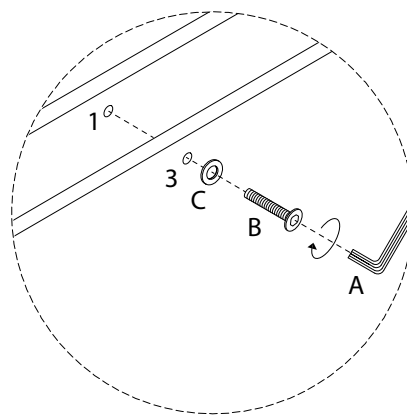
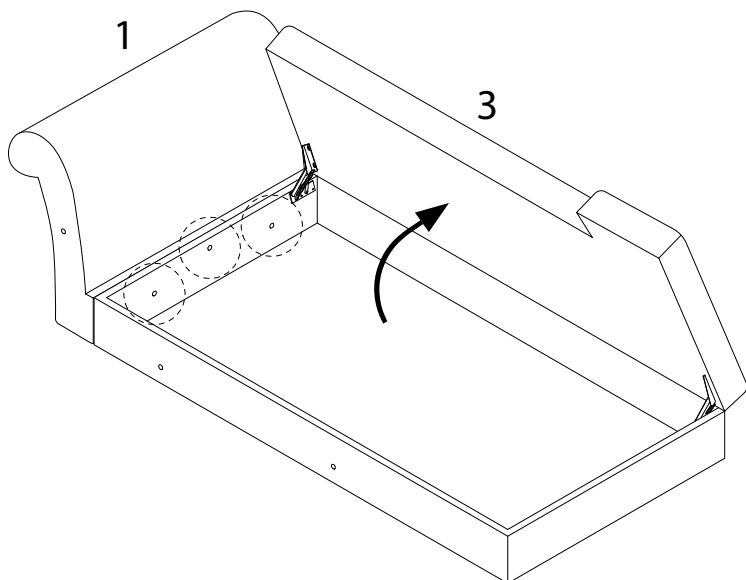
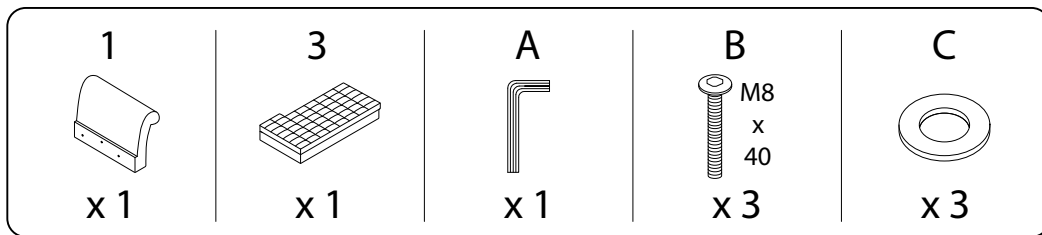
x 1

G

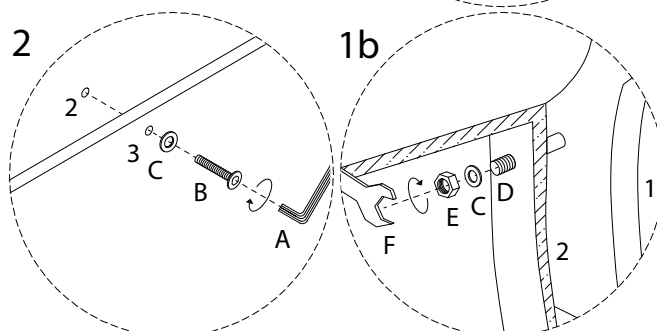
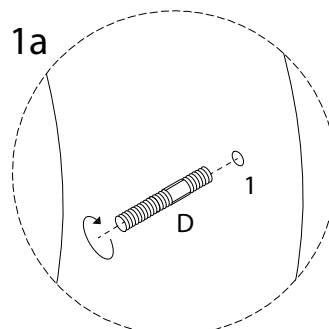
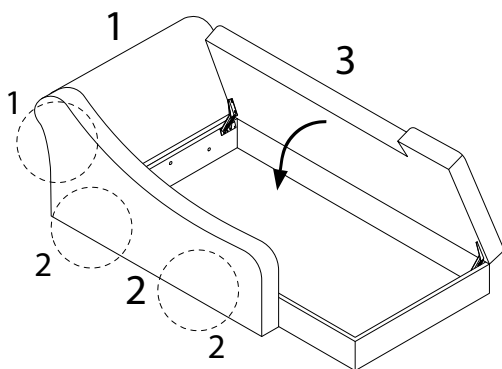
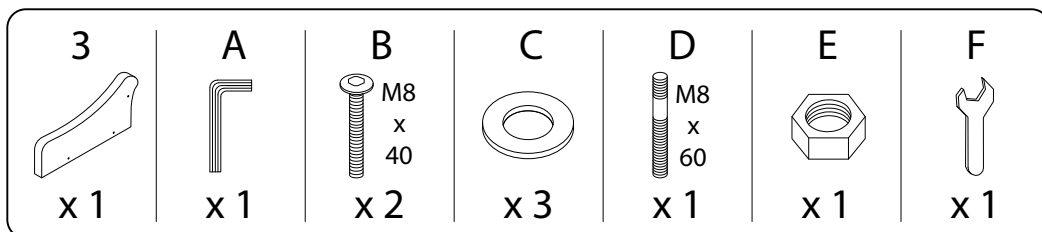


x 12

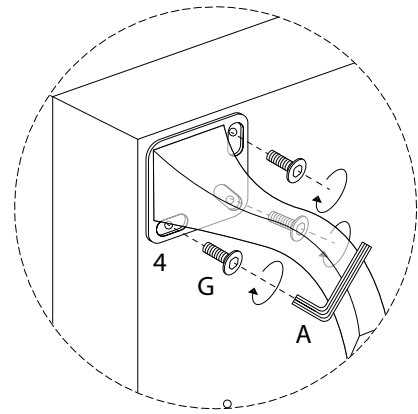
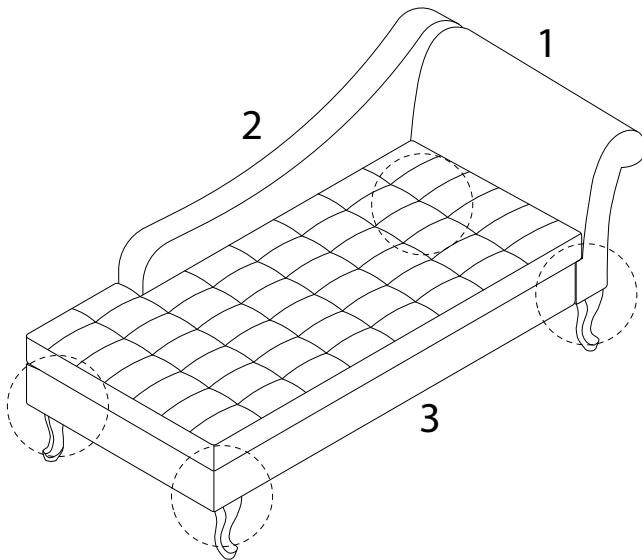
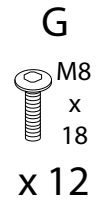
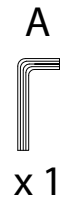
1



2



3



4

