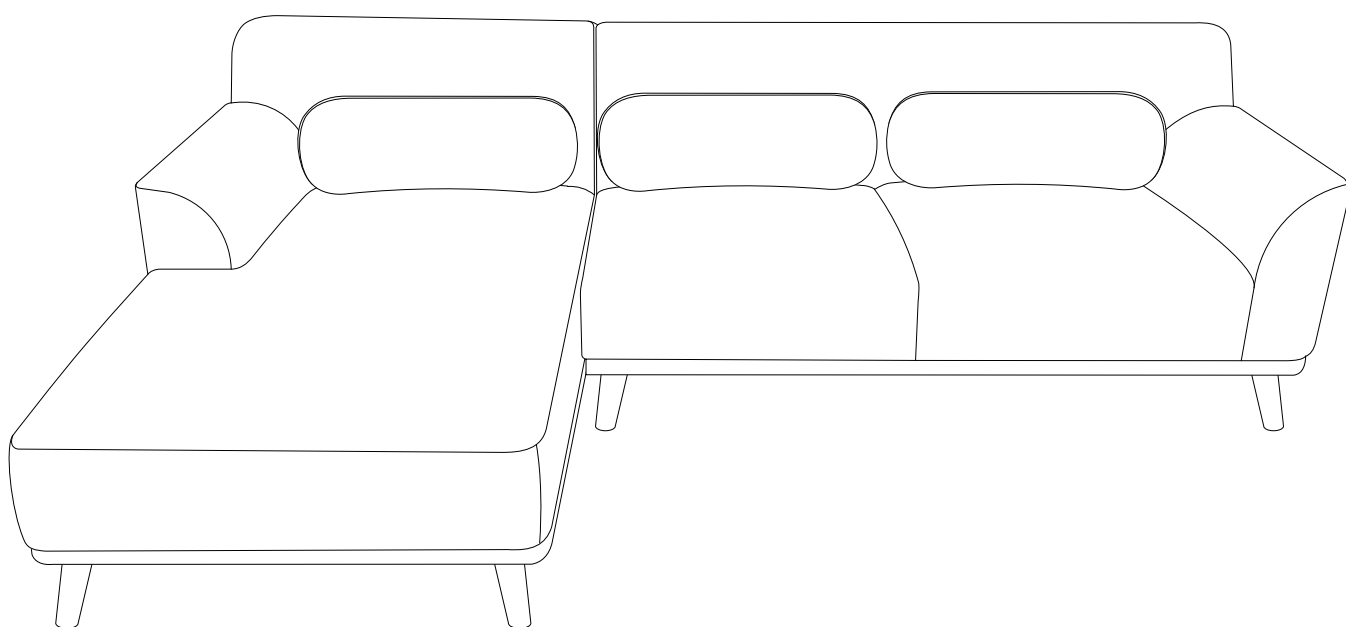
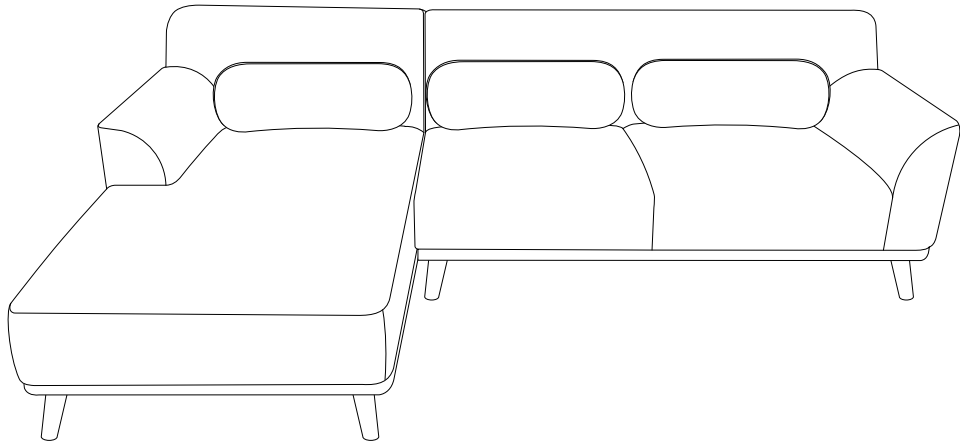
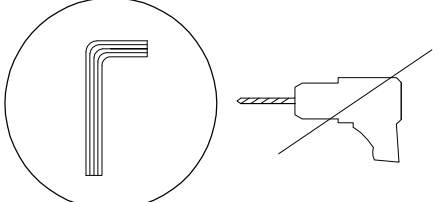

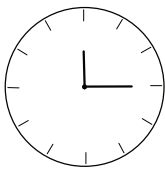
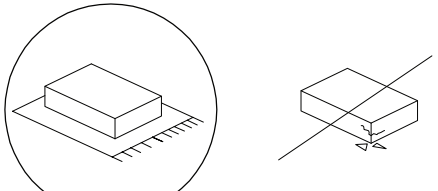


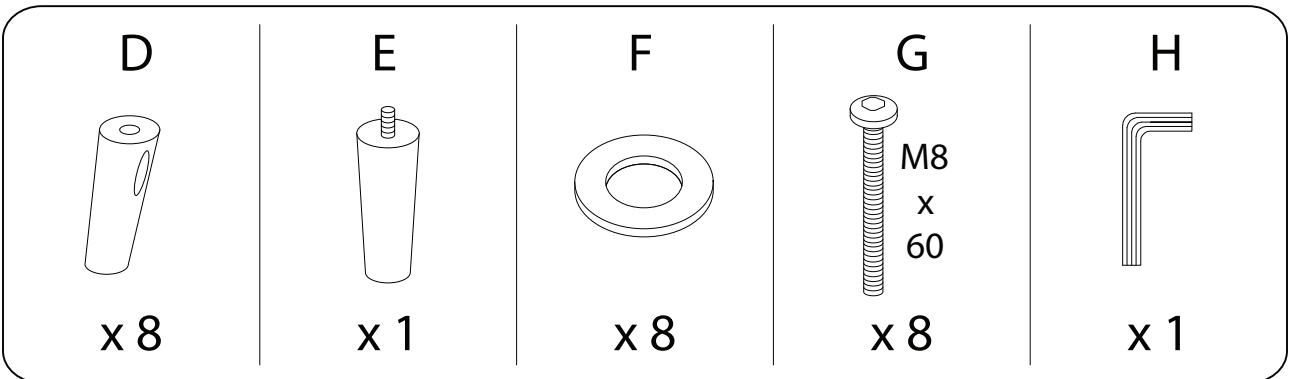
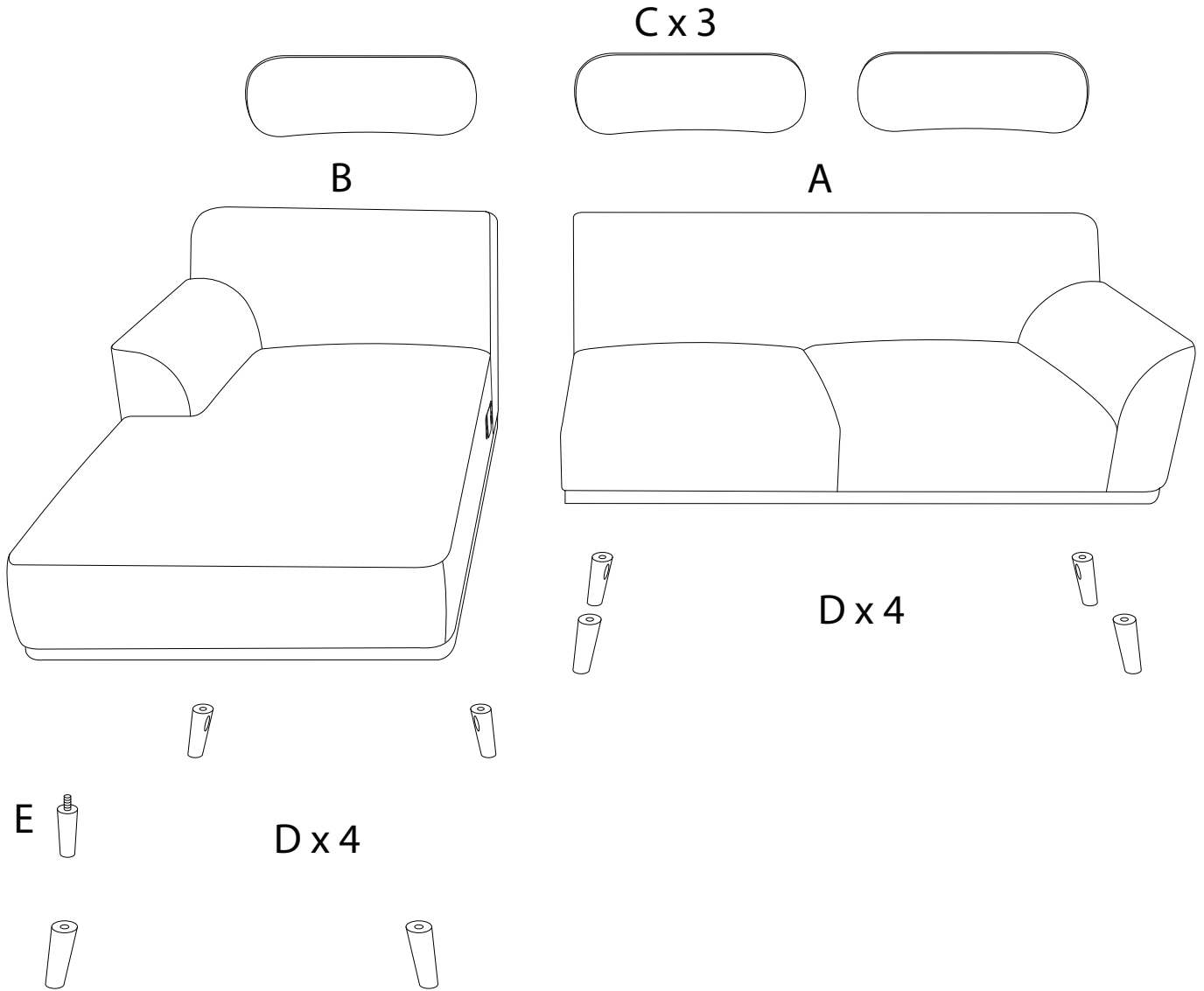
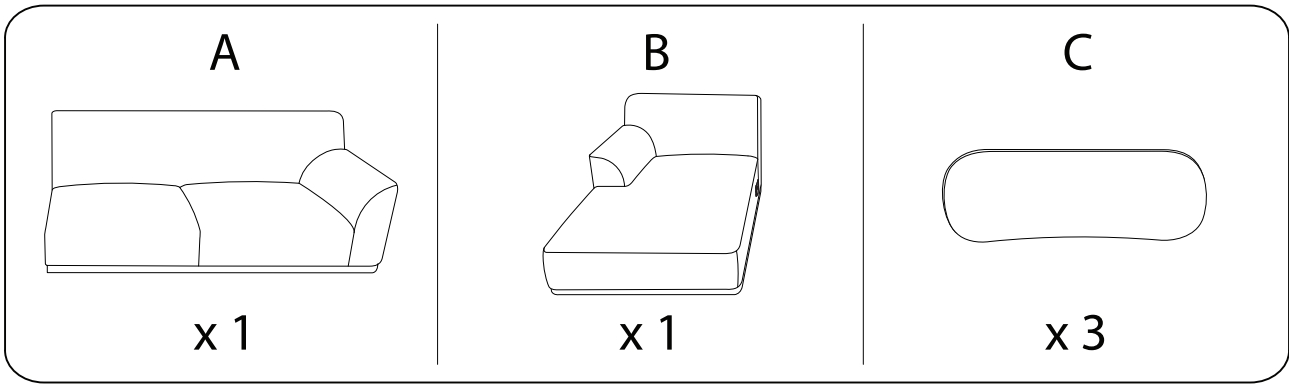


SIMOS

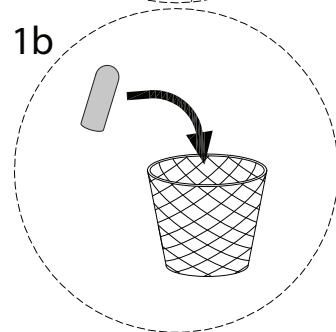
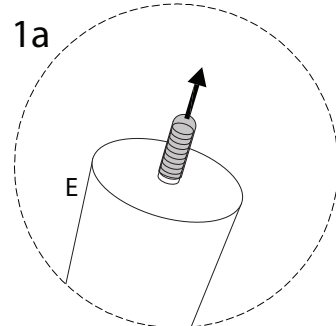
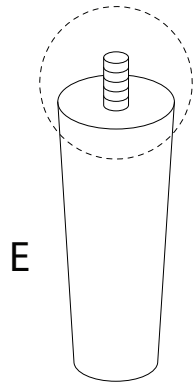




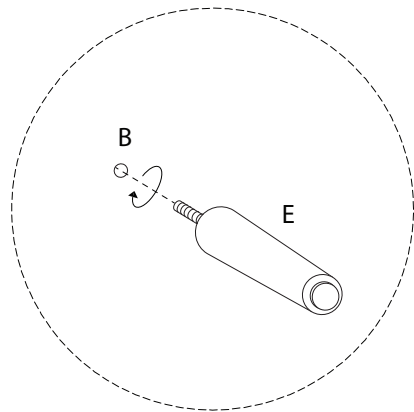
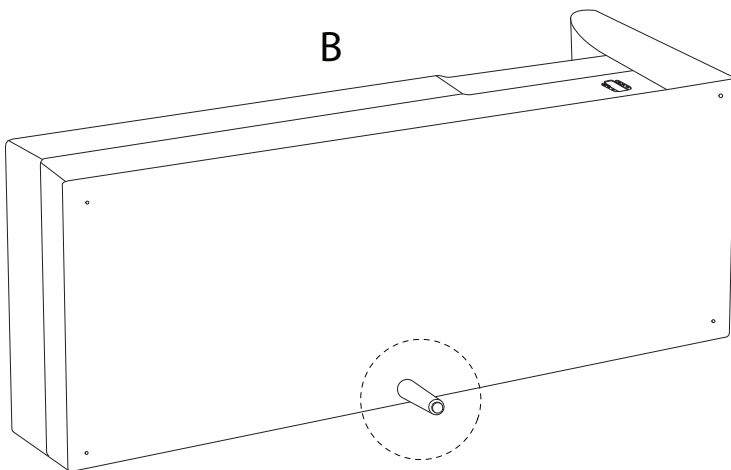
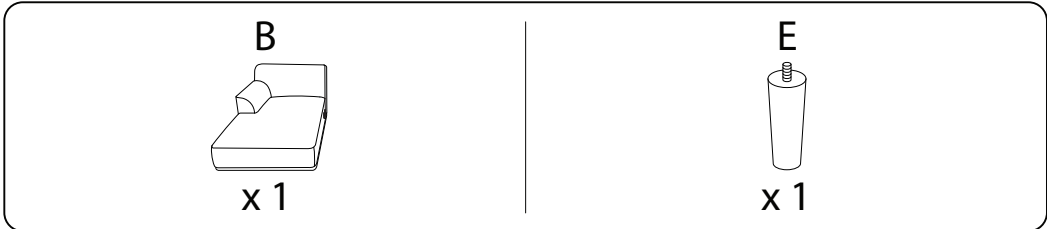
		
		<p>15'</p>
		
		<p>2</p>



!



1



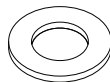
2

D



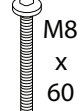
x 4

F



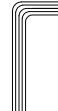
x 4

G

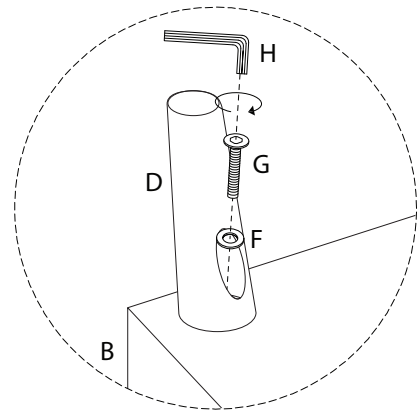
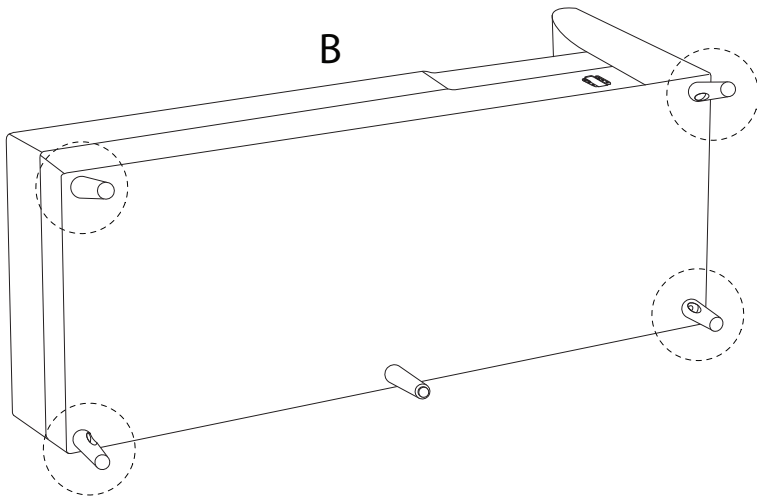


M8
x
60
x 4

H

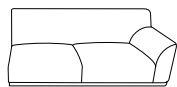


x 1



3

A



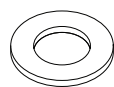
x 1

D



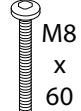
x 4

F



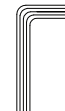
x 4

G

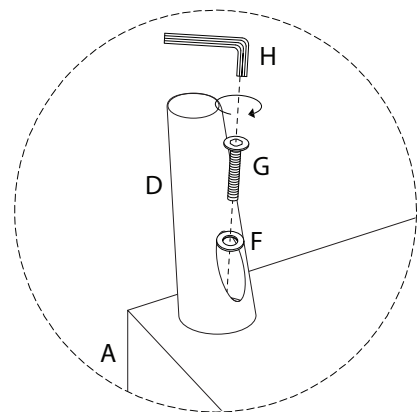
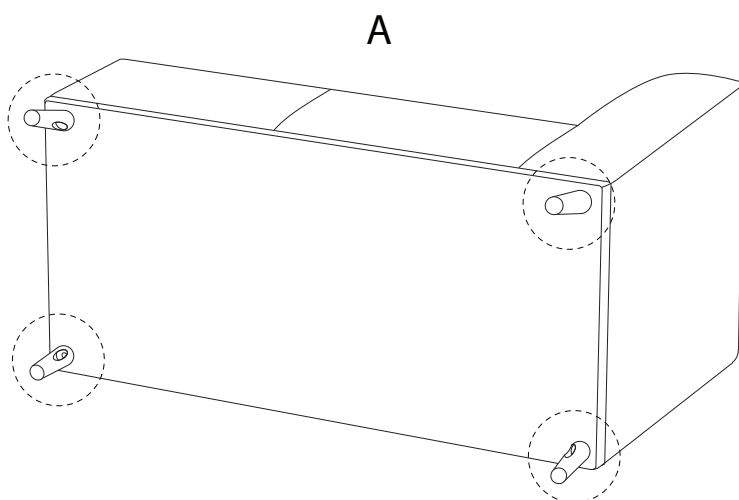


M8
x
60
x 4

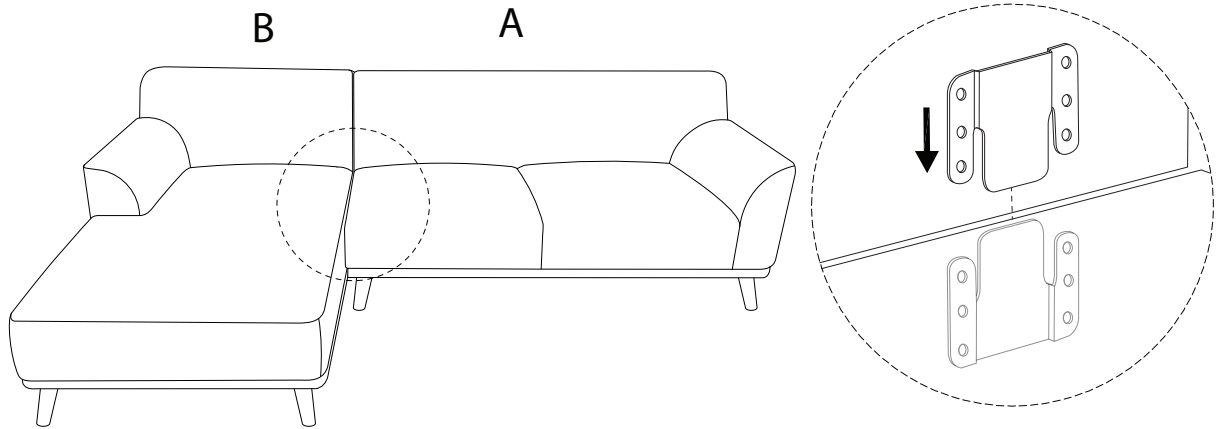
H



x 1



4



5

