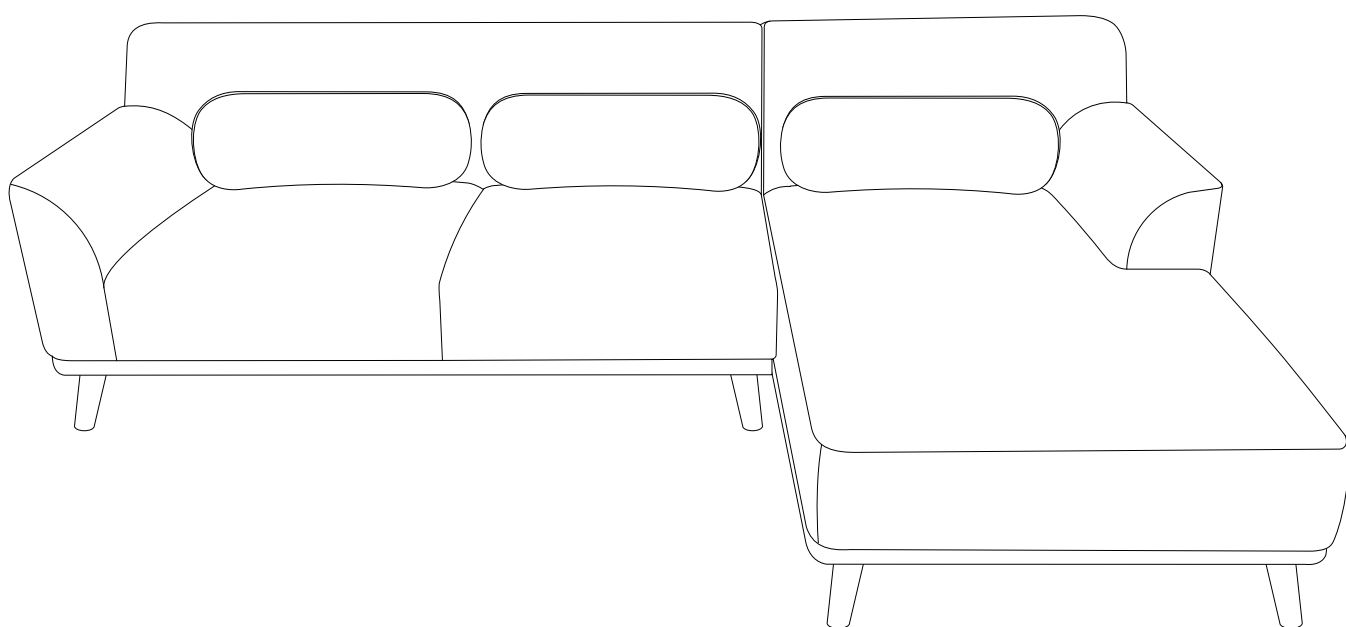
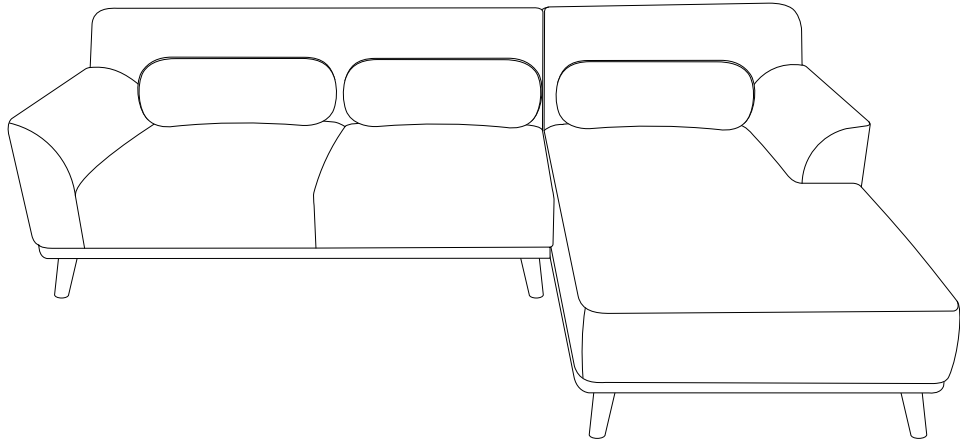


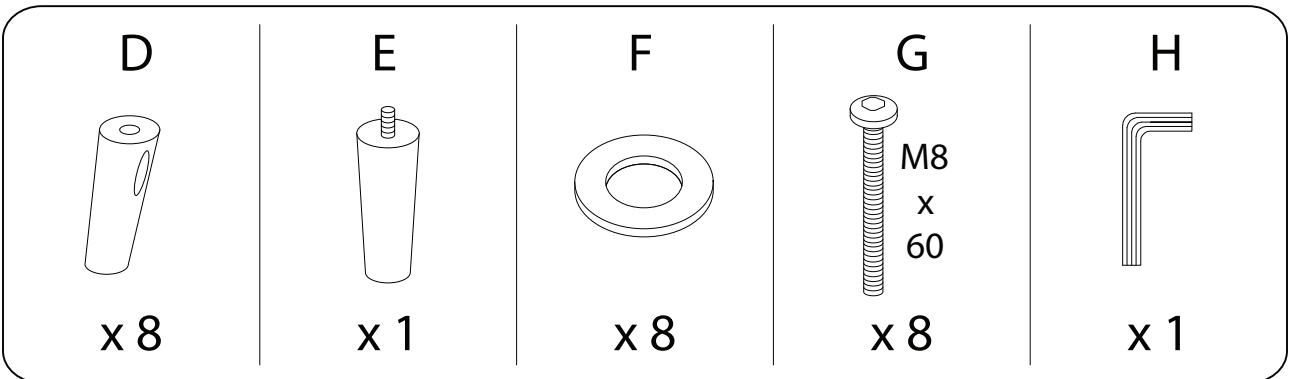
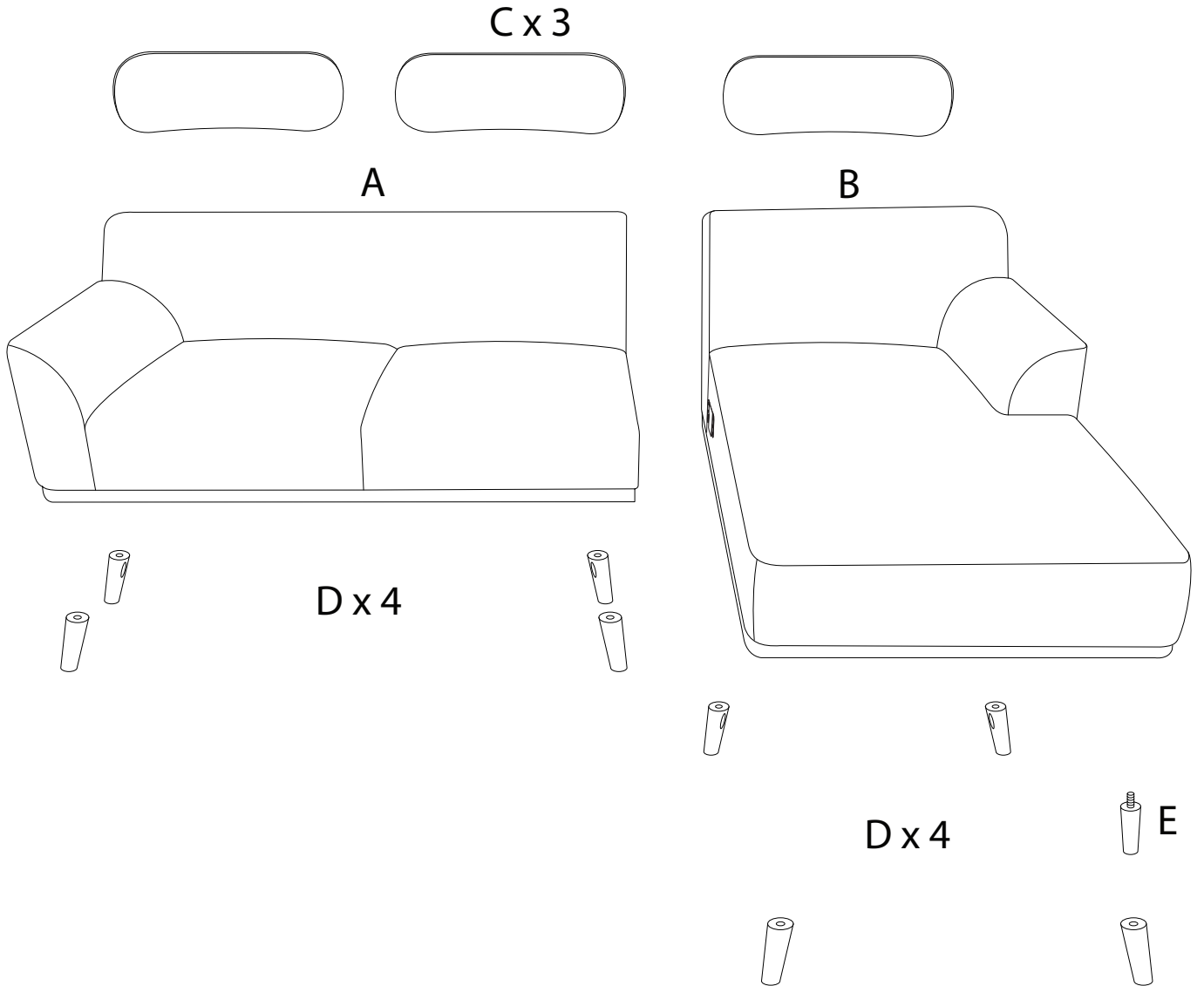
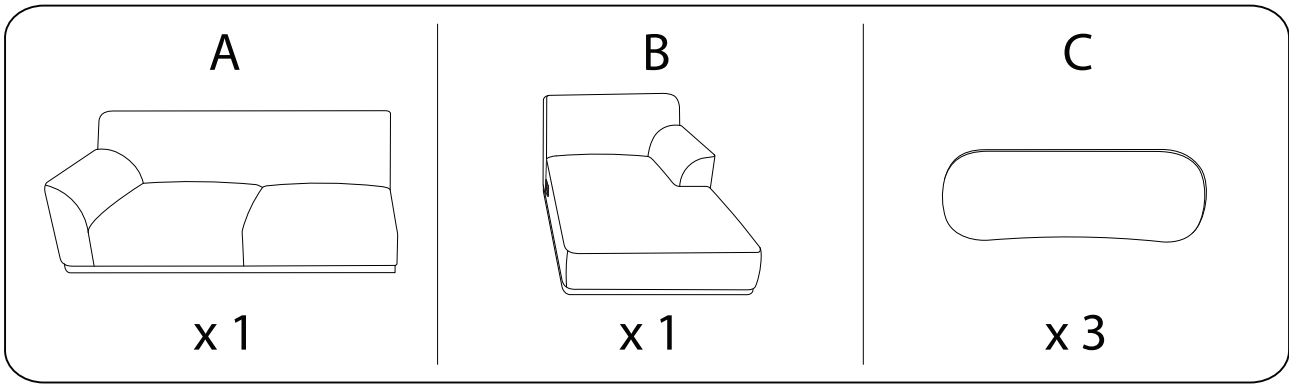
SIMOS



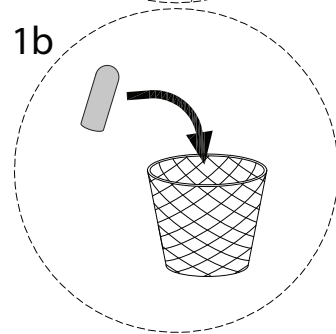
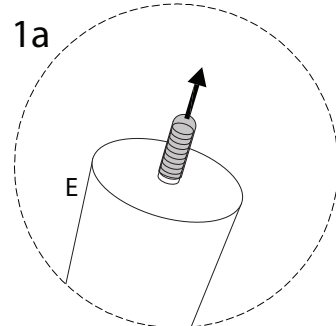
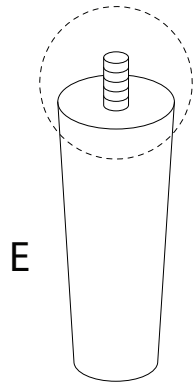


Assembly instructions for step 1/5:

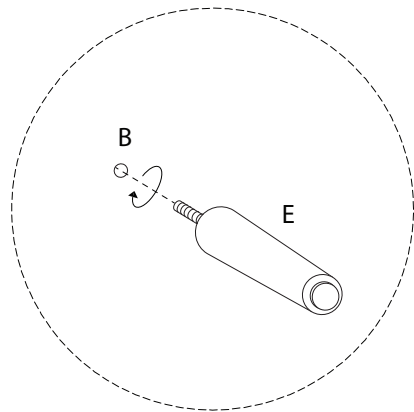
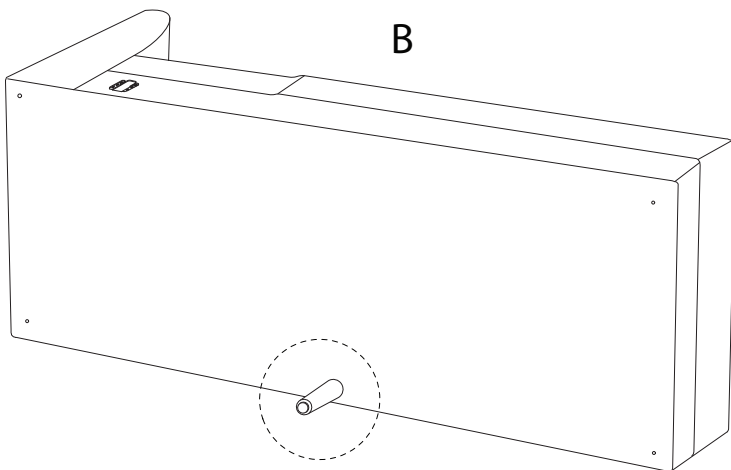
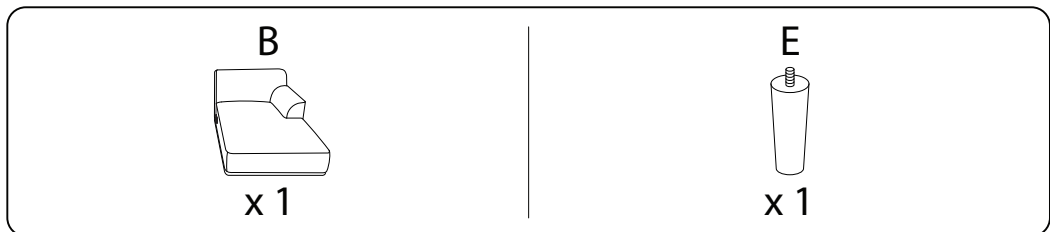
- Warning 1:** Do not use a power drill. Use an Allen key (shown in a circle) to tighten the screws.
- Warning 2:** Do not place the sofa on a soft surface like a rug. Place it on a hard, flat surface (shown in a circle).
- Time:** 15' (15 minutes)
- Personnel:** 2 people



!



1



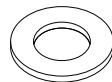
2

D



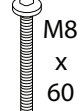
x 4

F



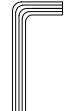
x 4

G

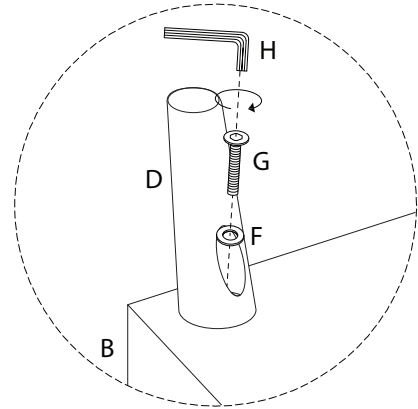
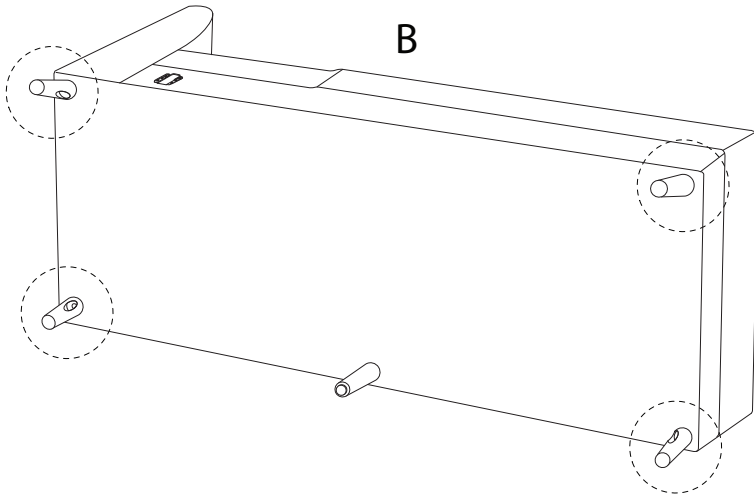


x 4

H

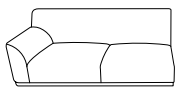


x 1



3

A



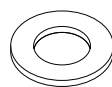
x 1

D



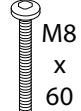
x 4

F



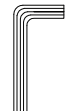
x 4

G

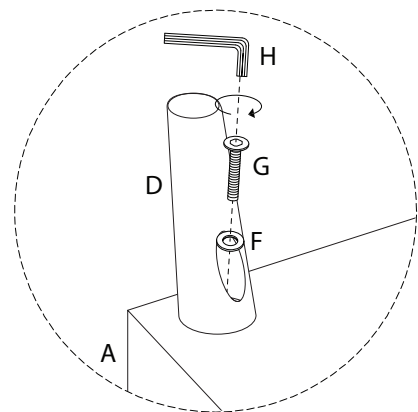
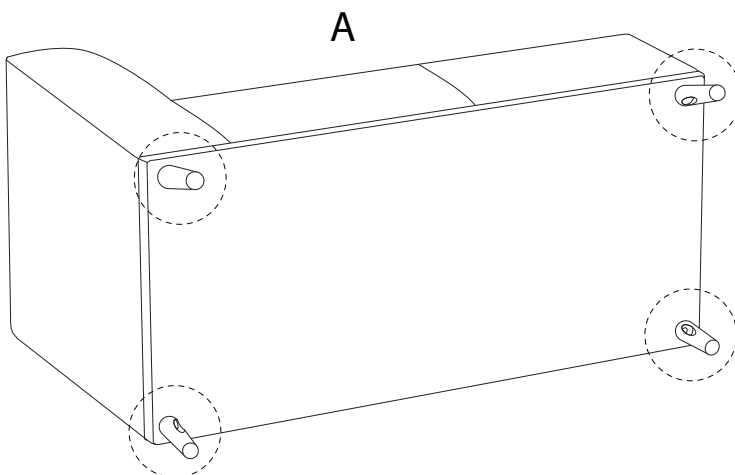


x 4

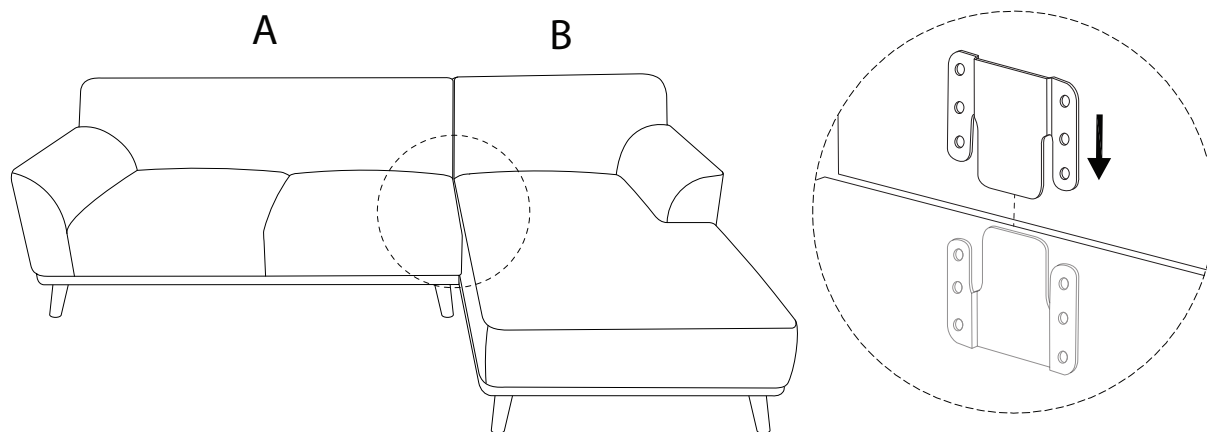
H



x 1



4



5

