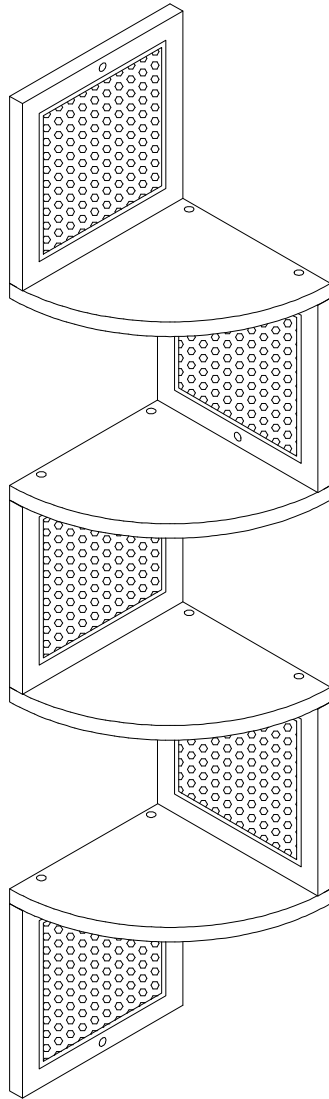
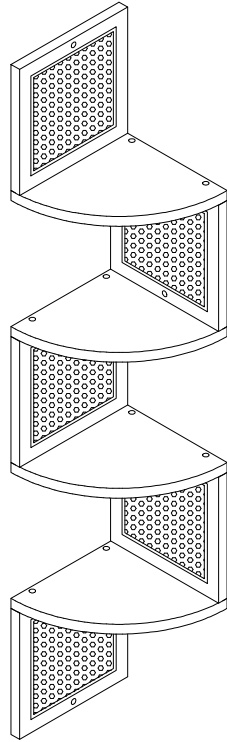


# ALDER



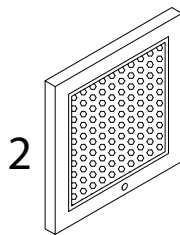
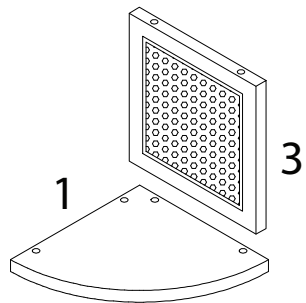
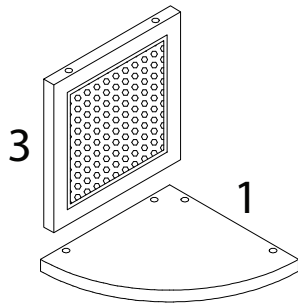
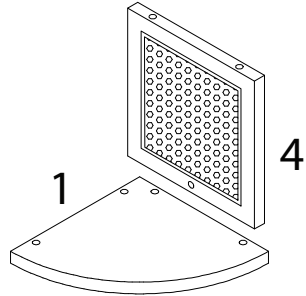
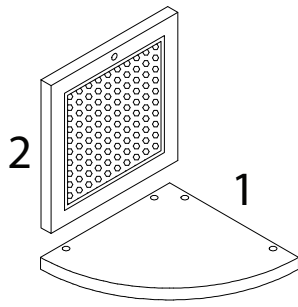


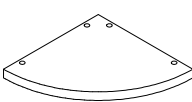
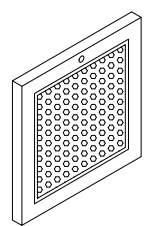
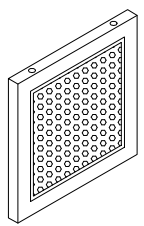
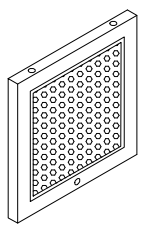
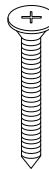
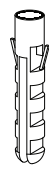
1

15'

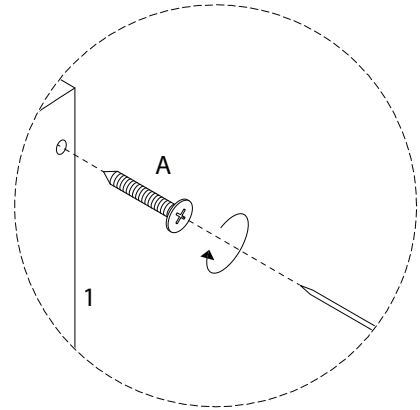
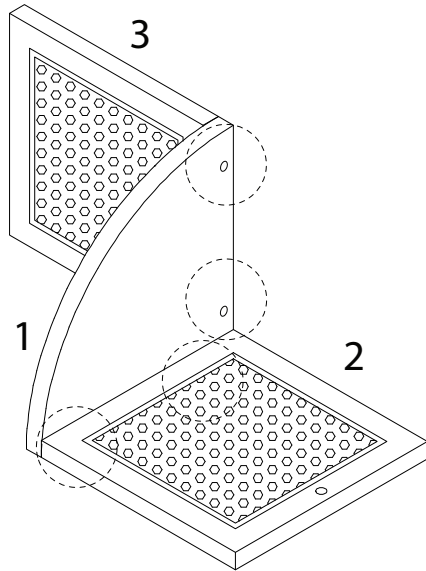
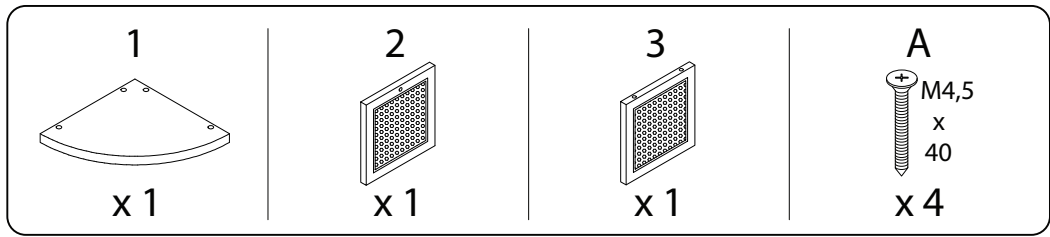
1

1/5

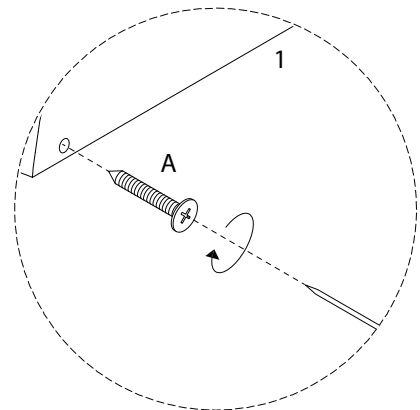
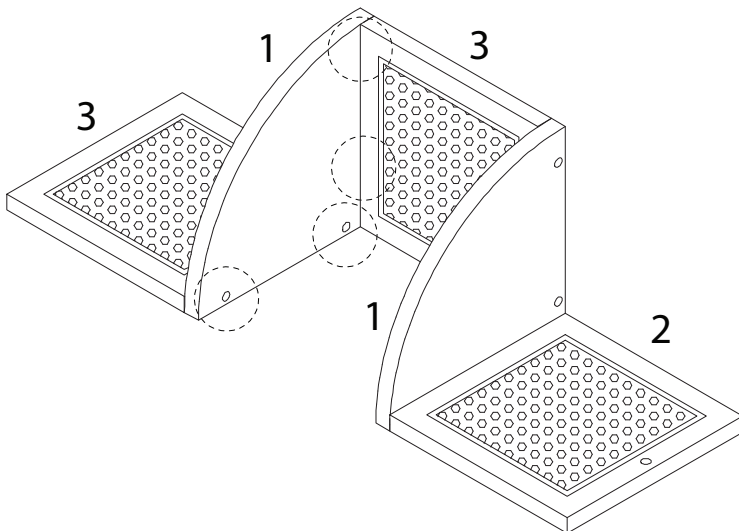
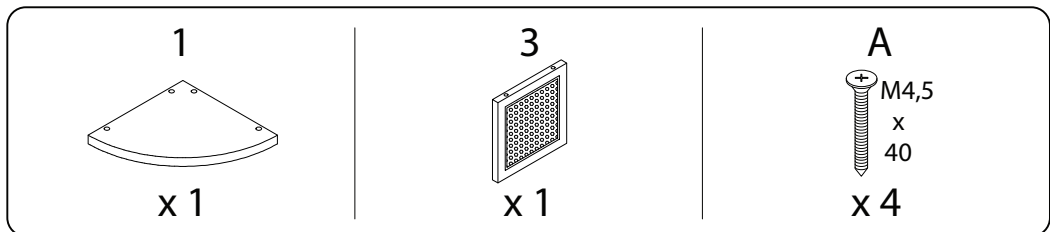


<p>1</p>  <p>x 4</p>	<p>2</p>  <p>x 2</p>	<p>3</p>  <p>x 2</p>	<p>4</p>  <p>x 1</p>	<p>A</p>  <p>M4,5 x 40</p> <p>x 19</p>	<p>B</p>  <p>x 3</p>
---	---	---	---	---	---

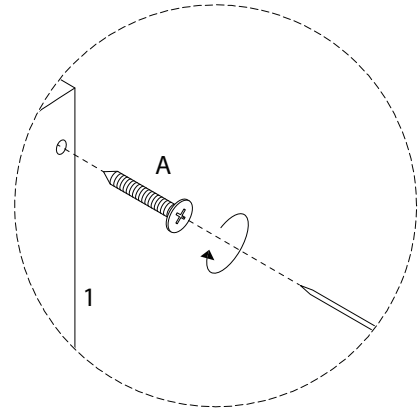
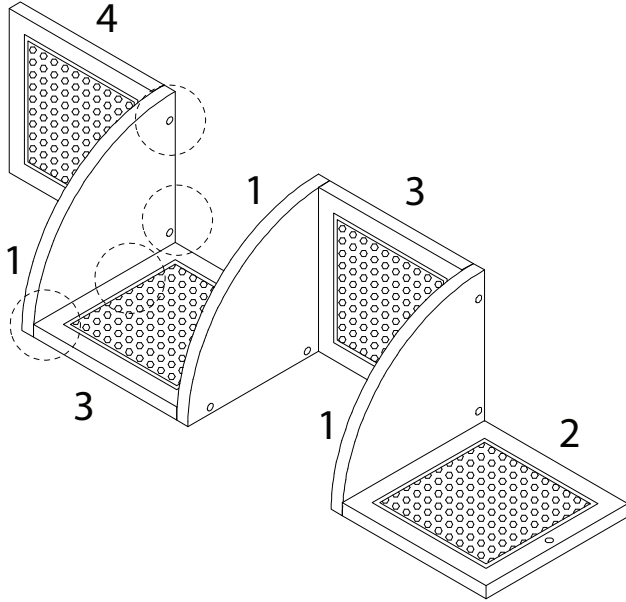
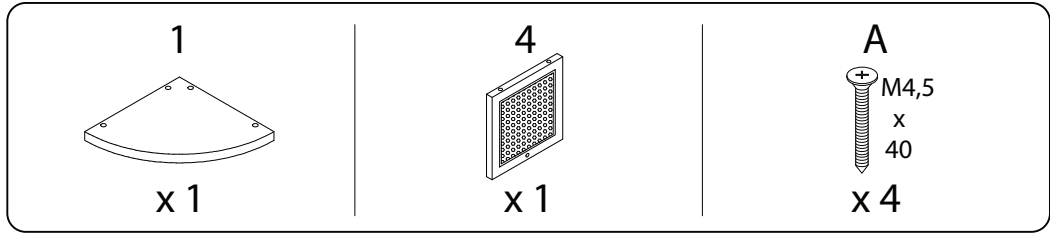
1



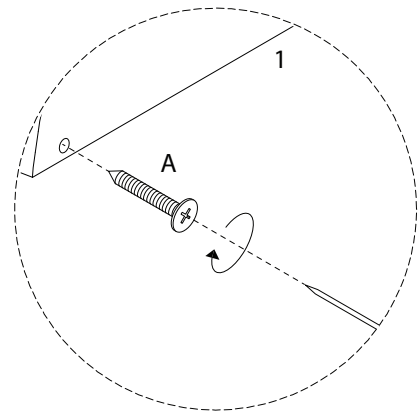
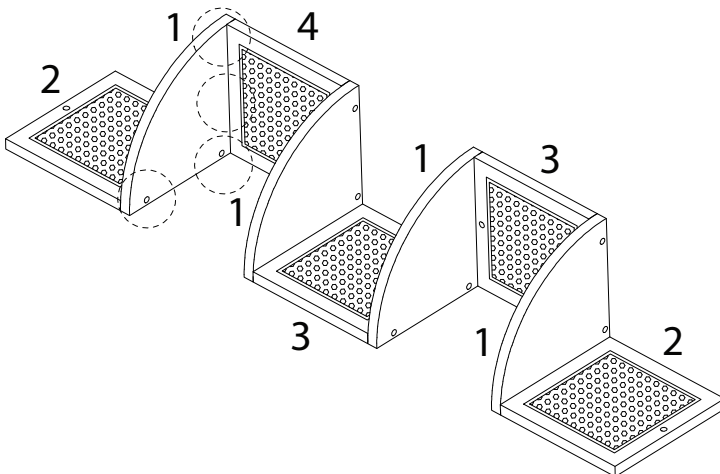
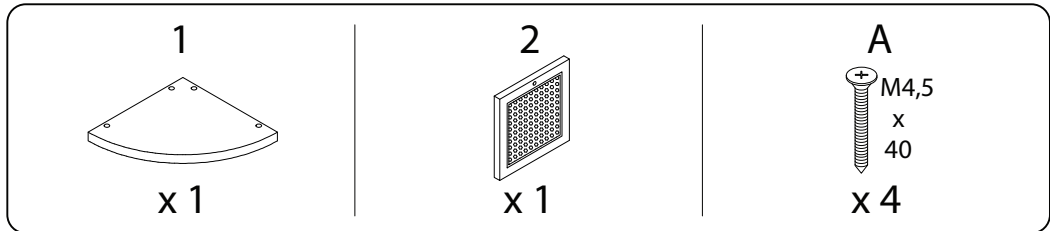
2



3



4



5

A  
M4,5  
x  
40  
x 3

B  
x 3

