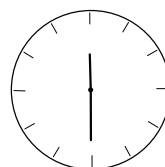
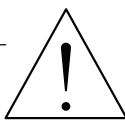
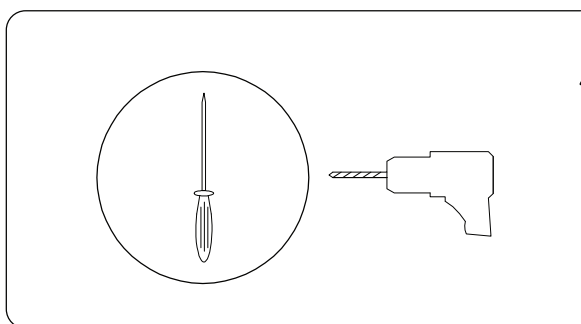
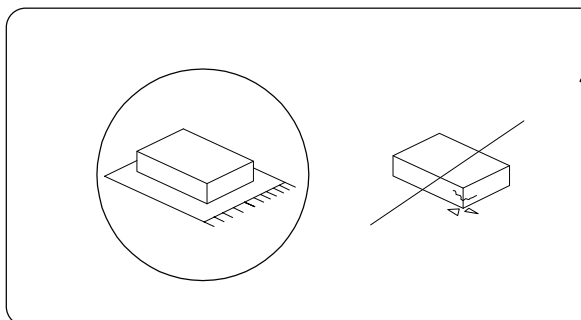


TALAGAPA





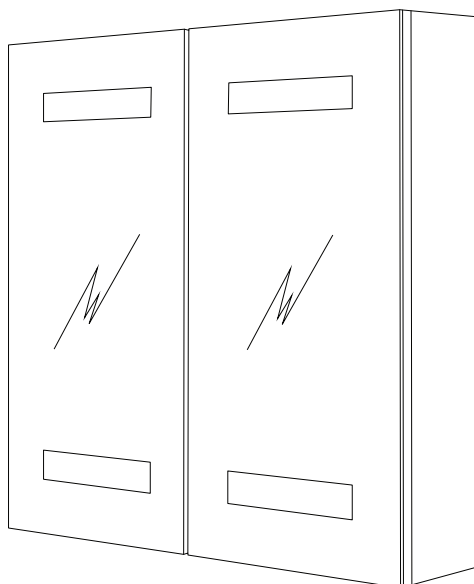
30'



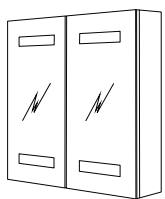
2

1/4

A



A



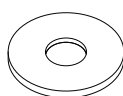
x 1

B



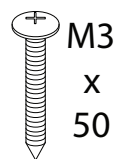
x 4

C



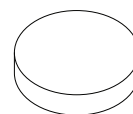
x 4

D



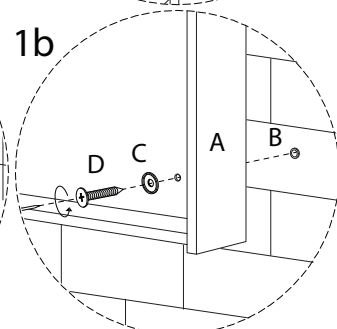
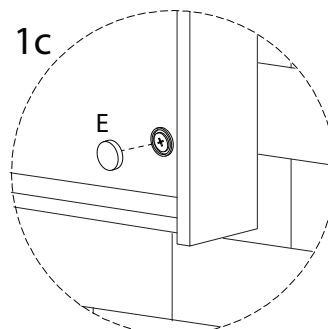
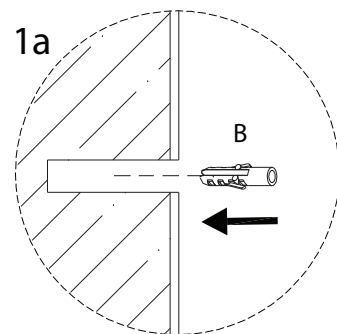
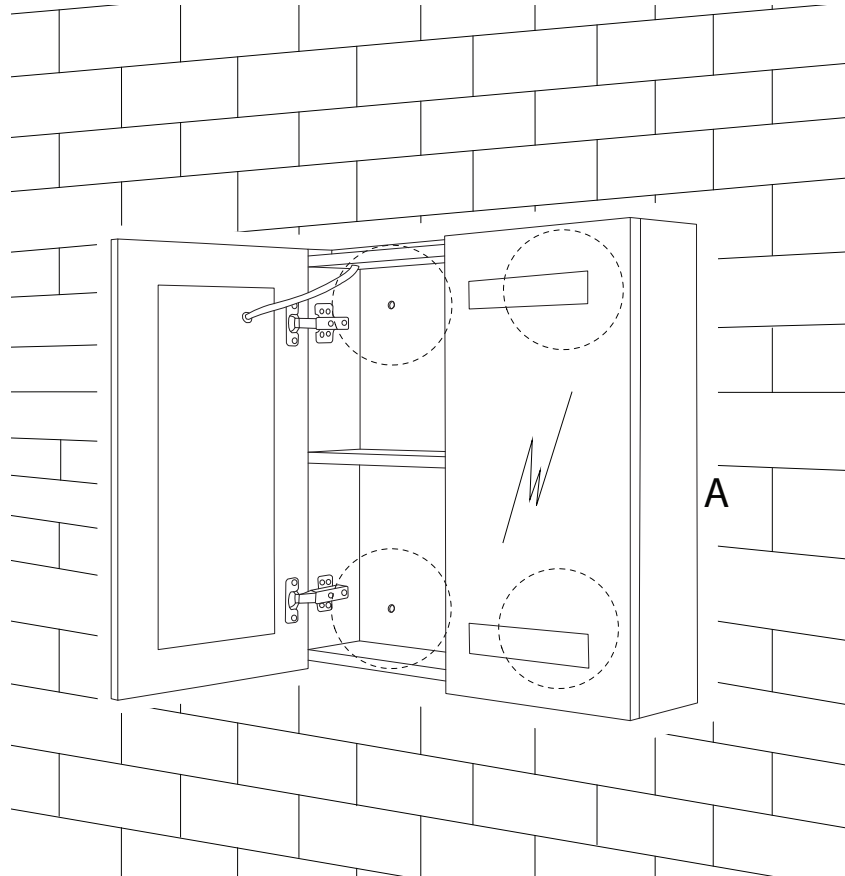
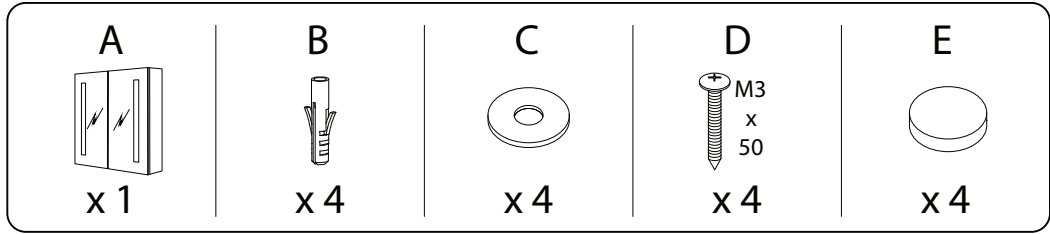
x 4

E



x 4

1



2

