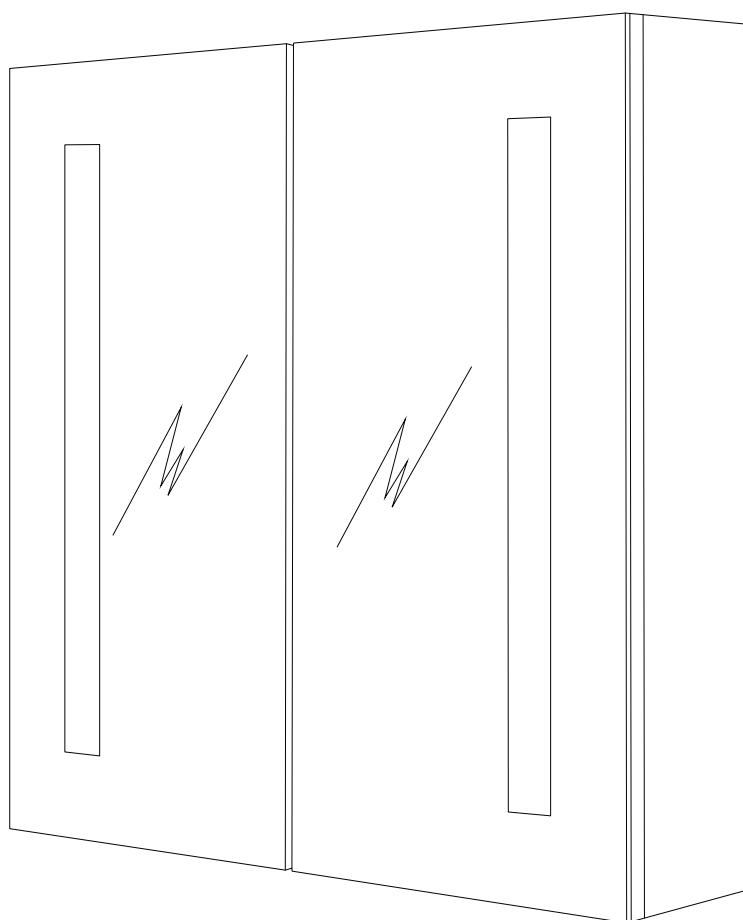


CHABUNCO



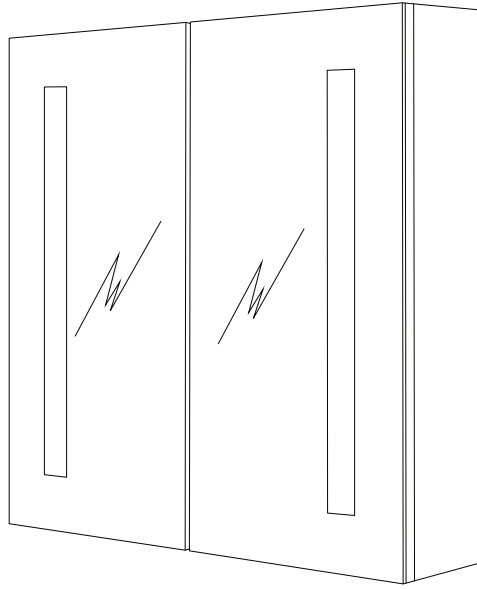
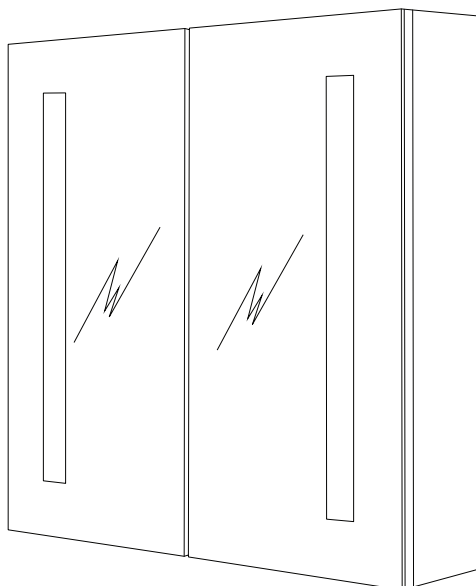


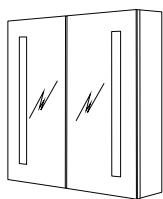
Diagram illustrating assembly steps and safety warnings:

- Step 1:** Shows a screwdriver and a power drill. A warning triangle with an exclamation mark is positioned to the right.
- Step 2:** Shows a rectangular block being placed on a surface and another block being inserted into a slot. A warning triangle with an exclamation mark is positioned to the right.
- Time:** A clock icon indicates a duration of 30' (30 minutes).
- Personnel:** A person icon indicates that 2 people are required for the task.

A



A



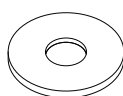
x 1

B



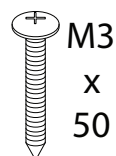
x 4

C



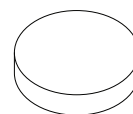
x 4

D



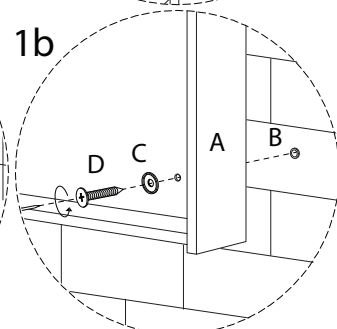
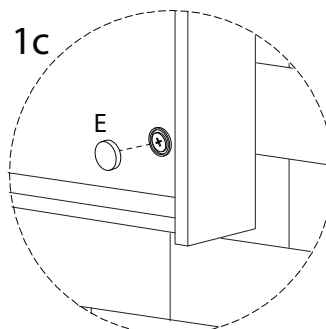
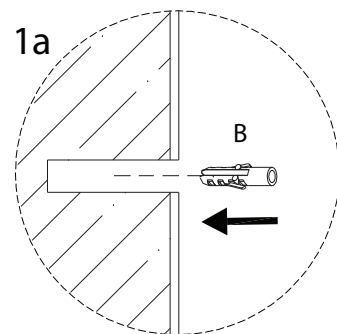
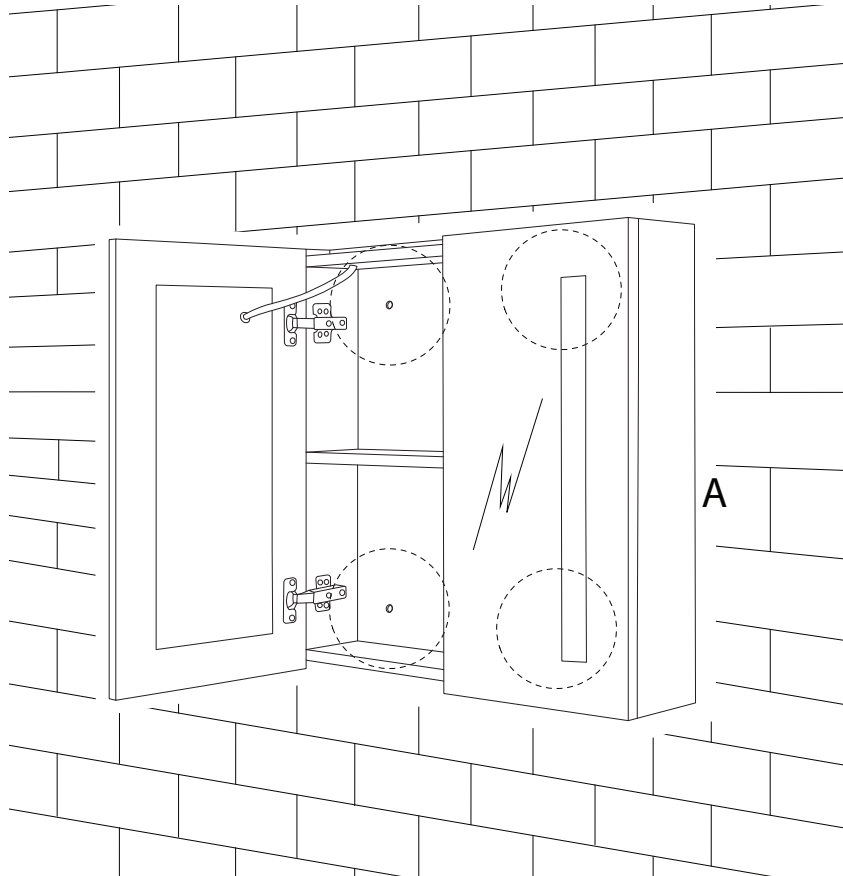
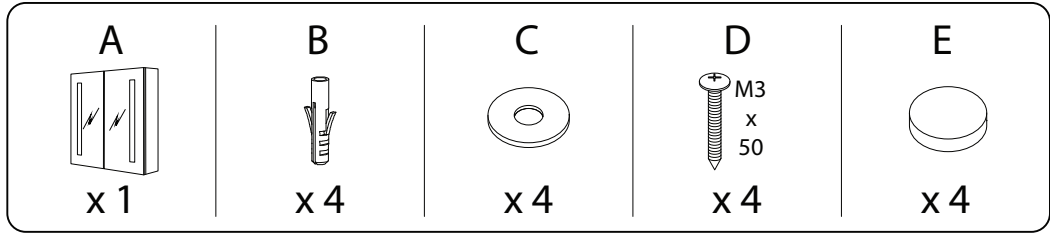
x 4

E



x 4

1



2

