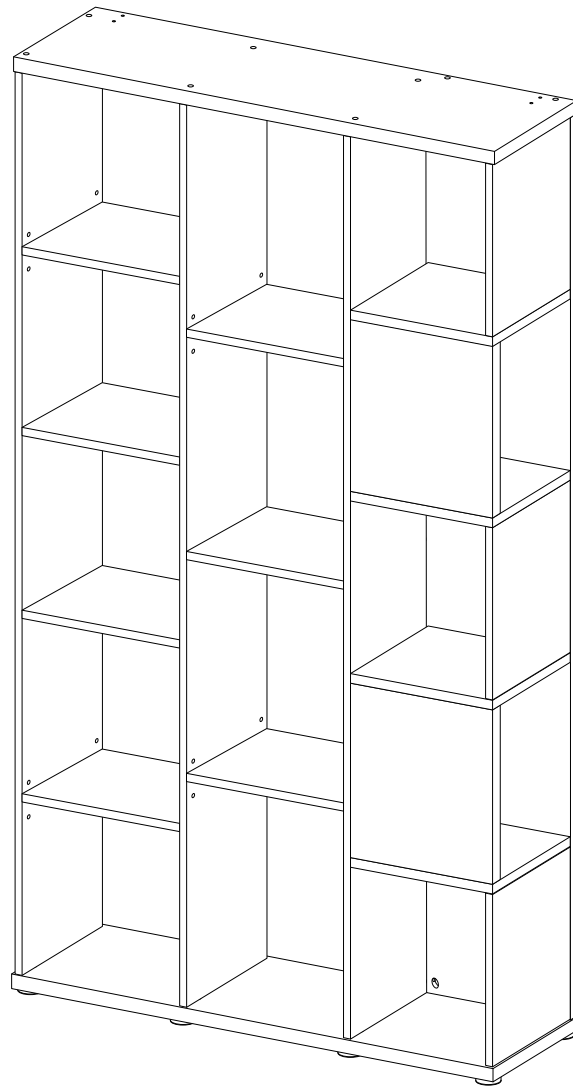
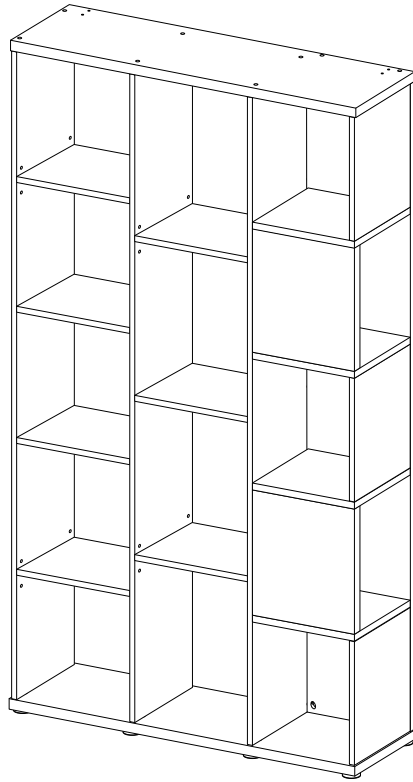
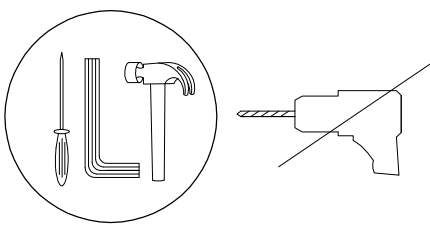

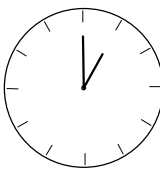
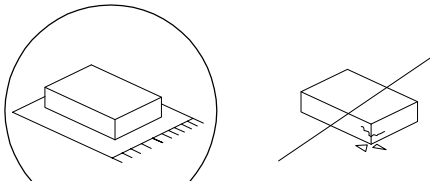


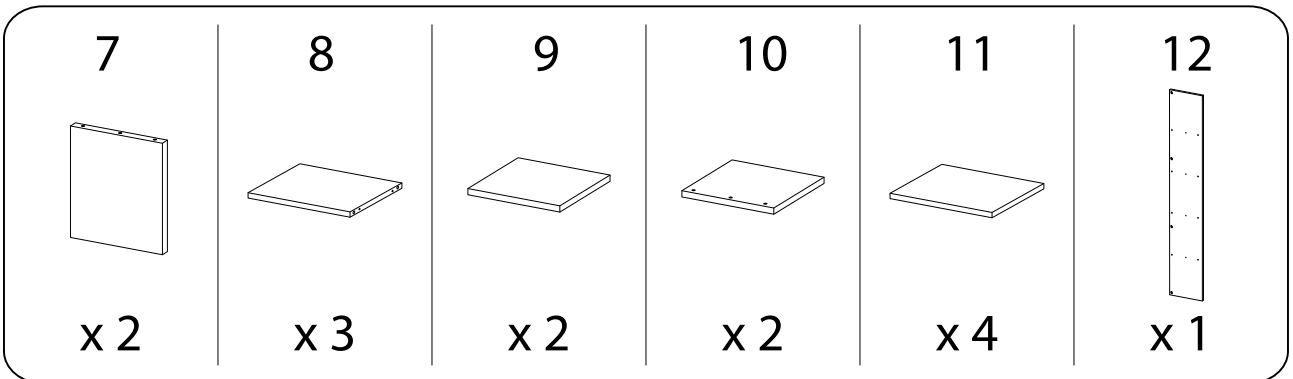
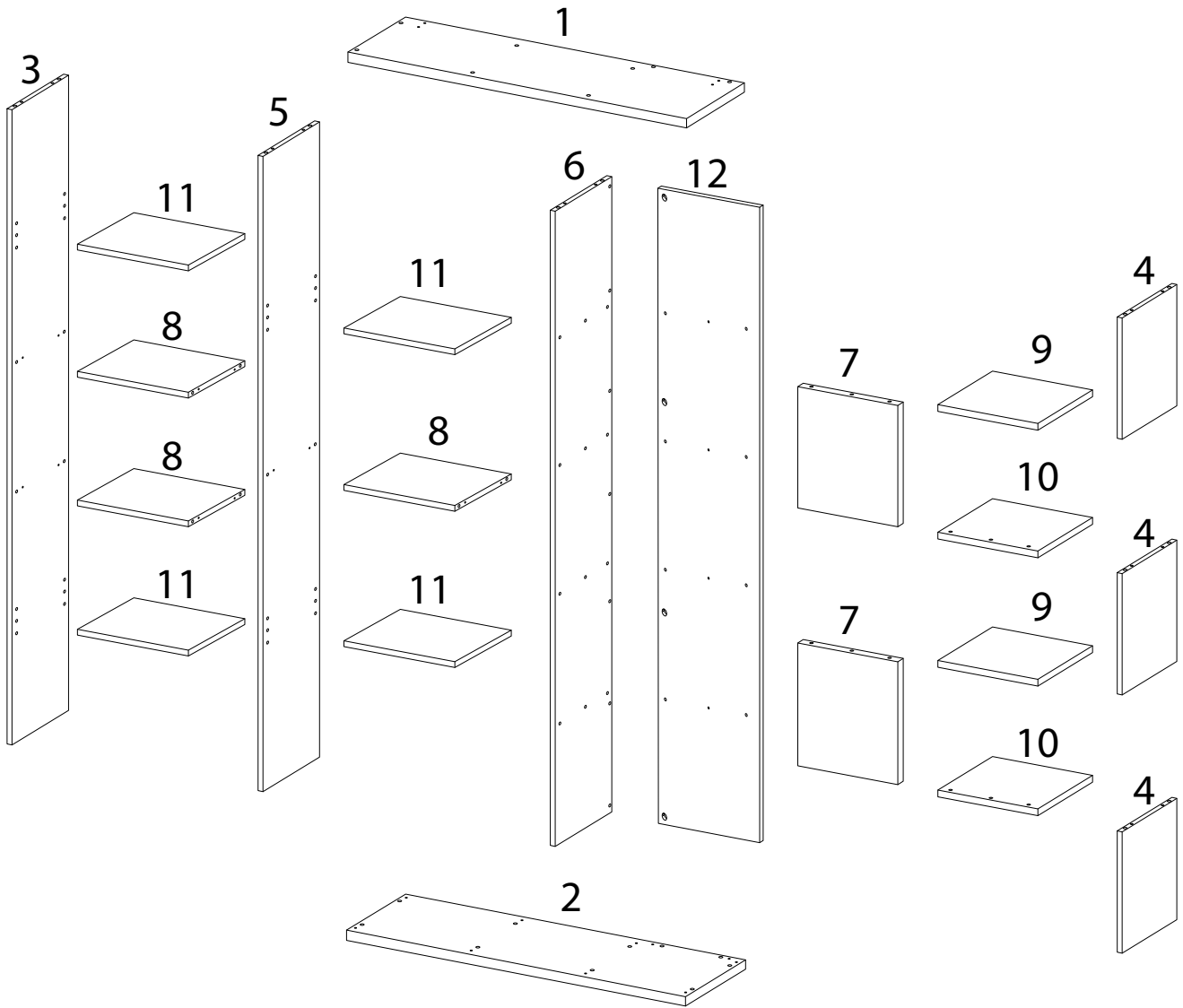
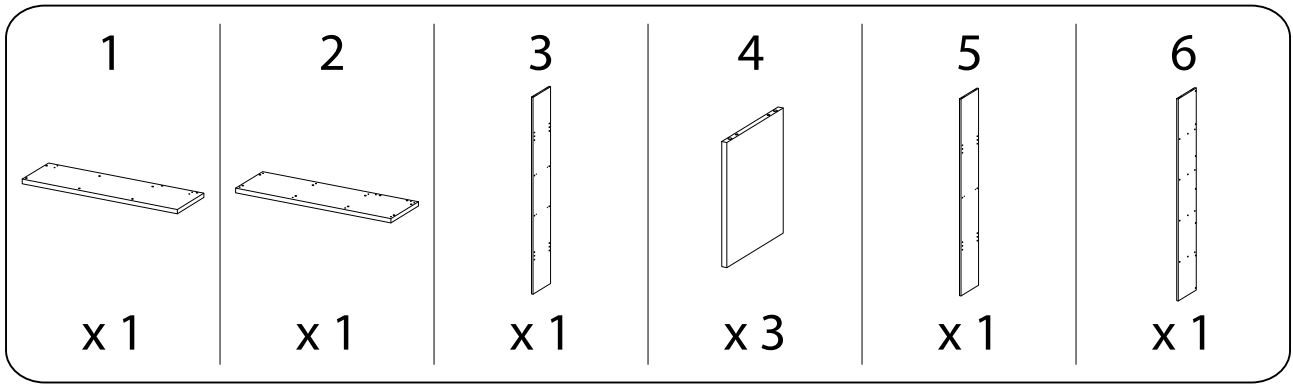


BANGOR

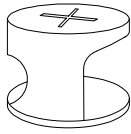




		
		60'
		
		2

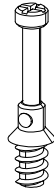


A



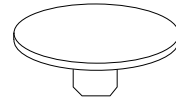
x 32

B



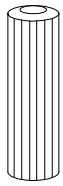
x 32

C



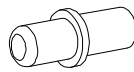
x 12

D



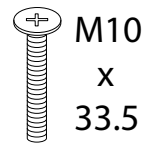
x 67

E



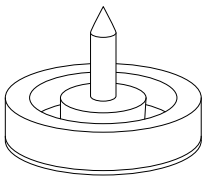
x 16

F



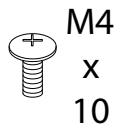
x 24

G



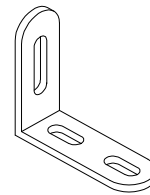
x 8

H



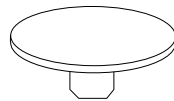
x 4

I



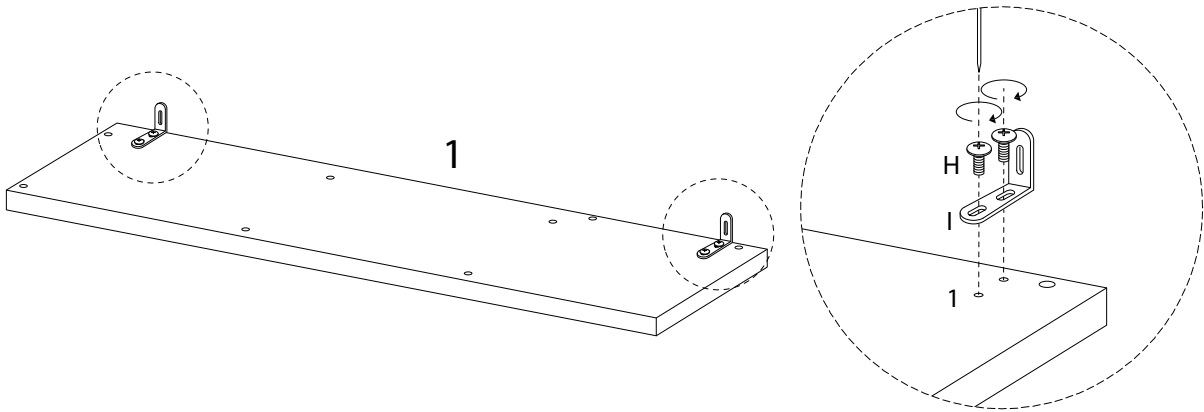
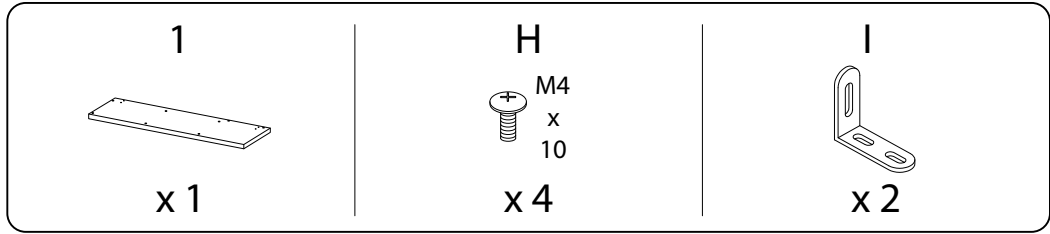
x 2

J

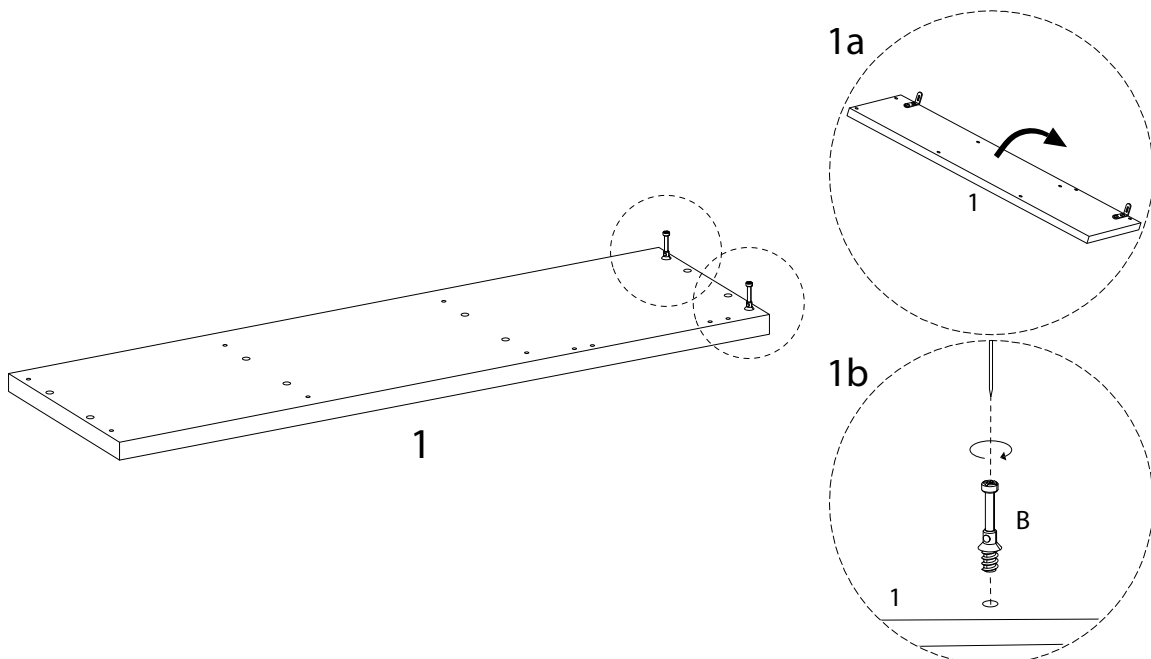
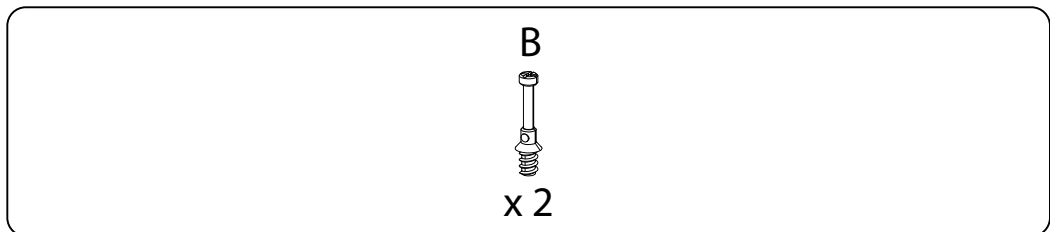


x 20

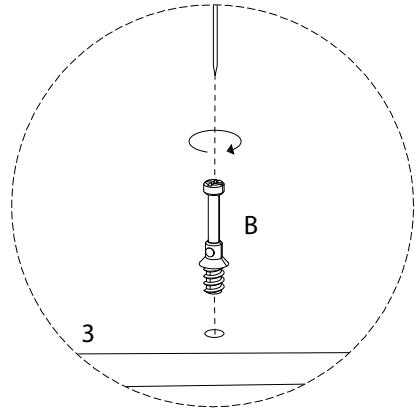
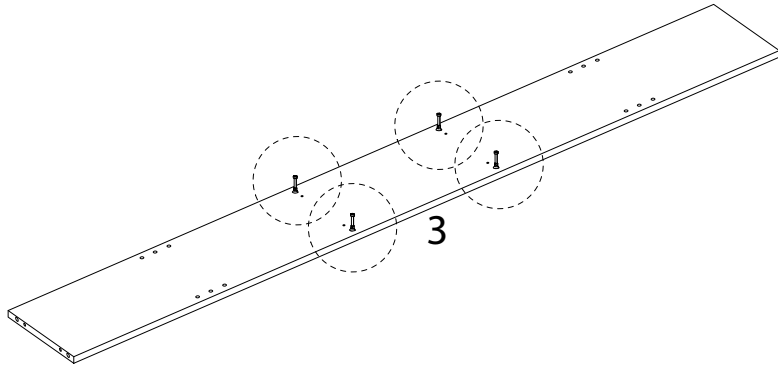
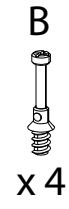
1



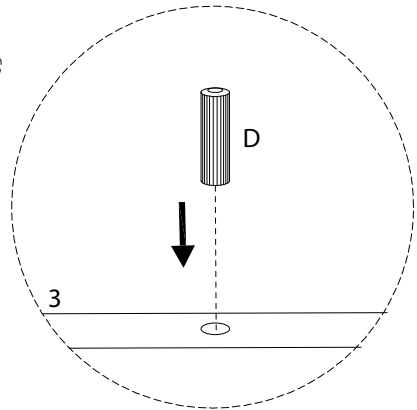
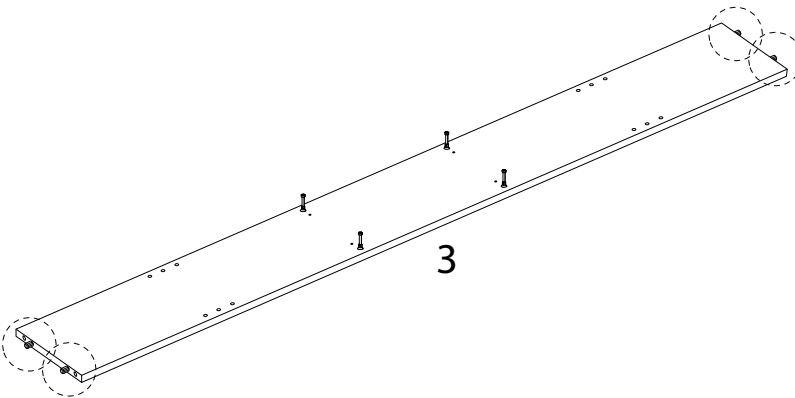
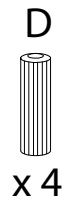
2



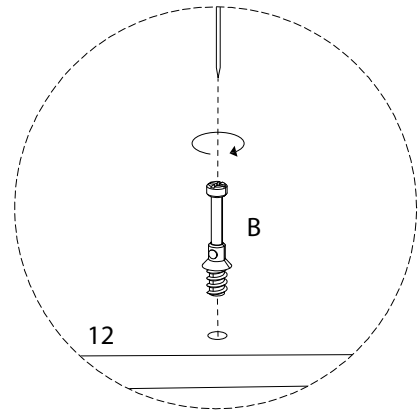
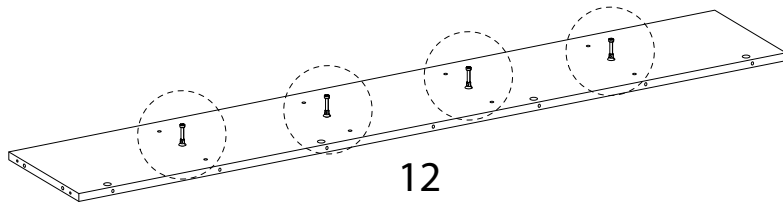
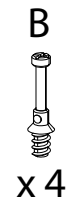
3



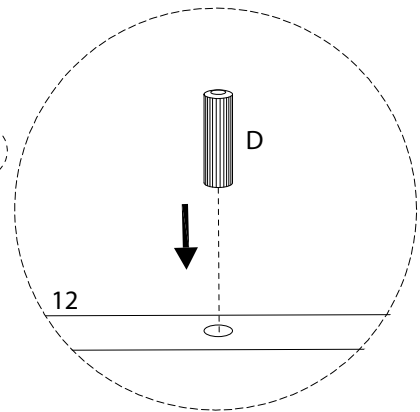
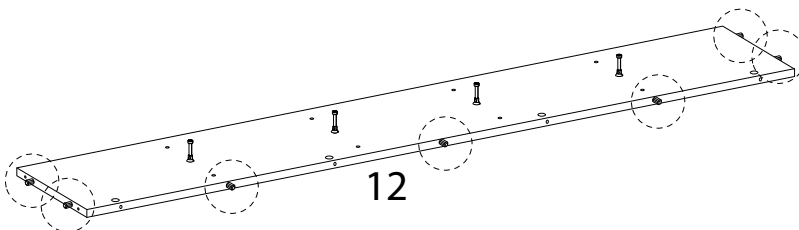
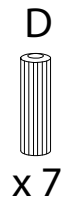
4



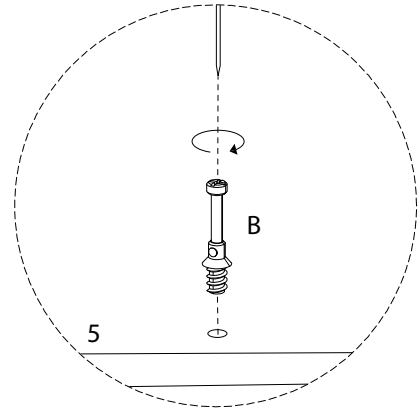
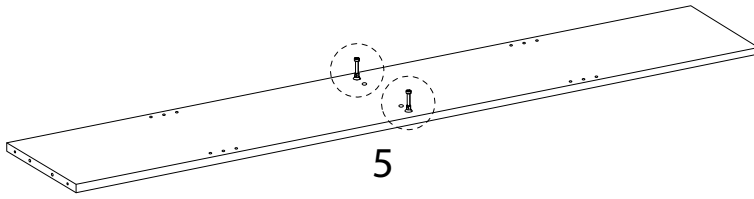
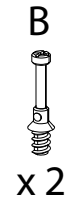
5



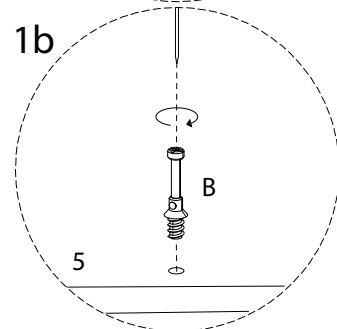
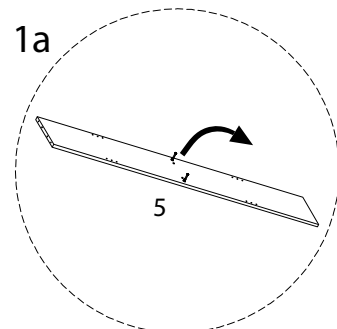
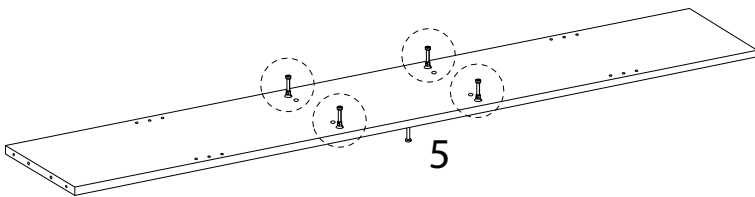
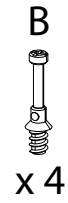
6



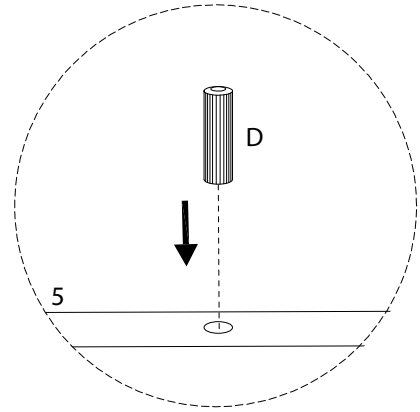
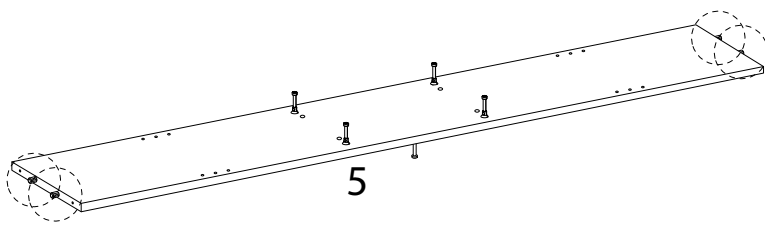
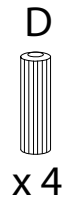
7



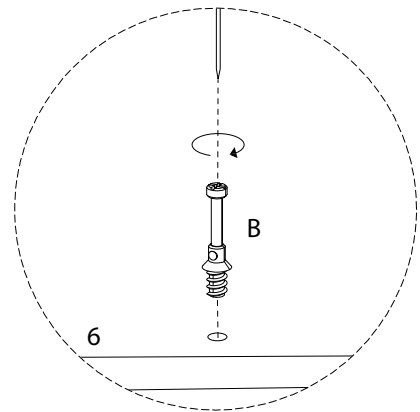
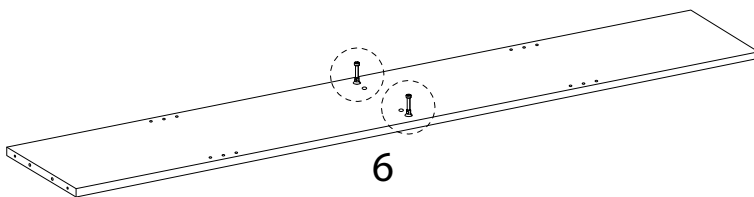
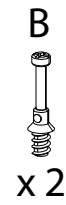
8



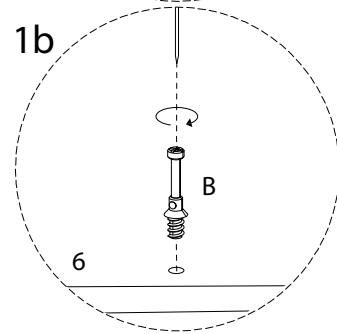
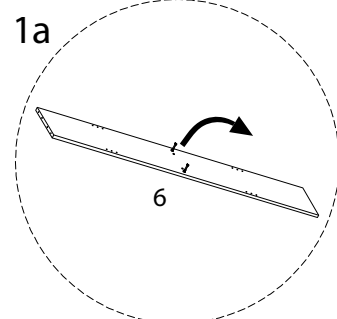
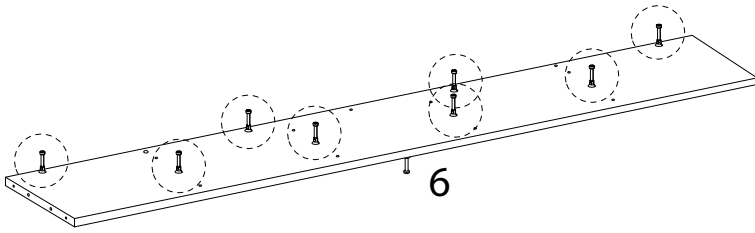
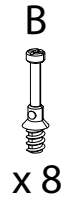
9



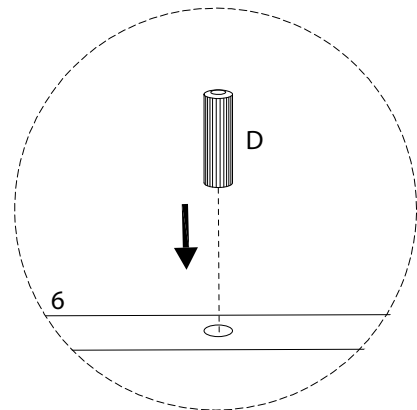
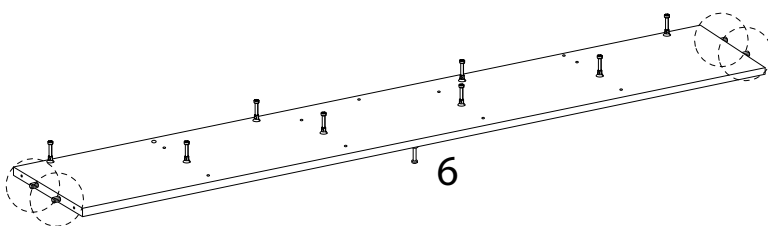
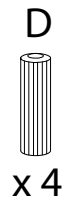
10



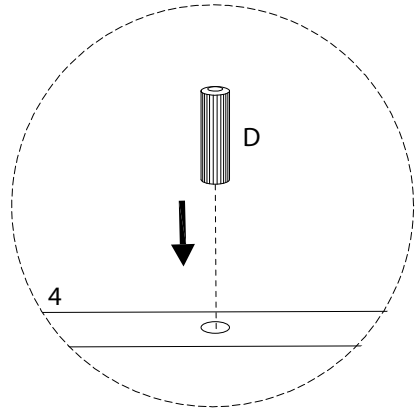
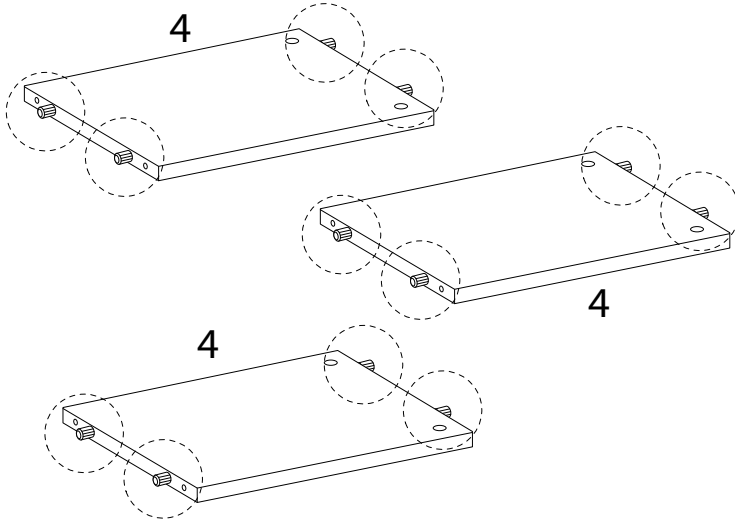
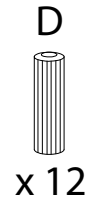
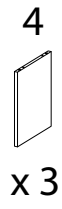
11



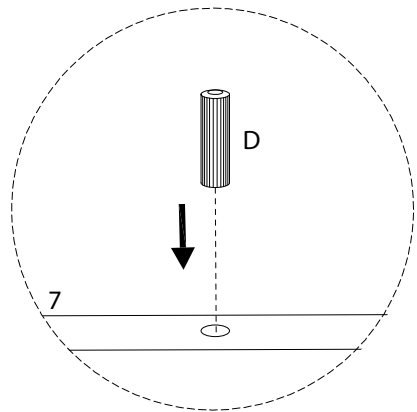
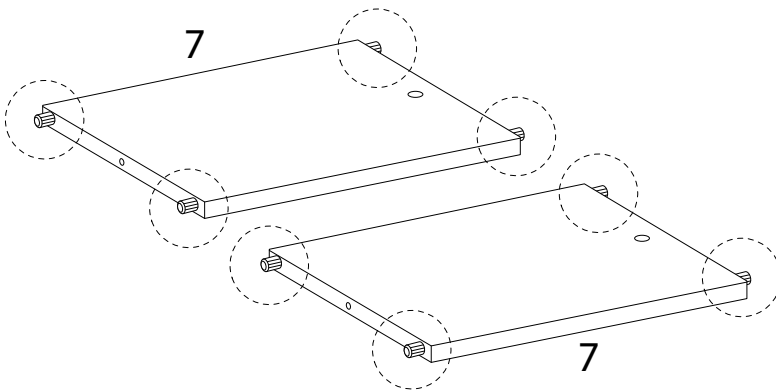
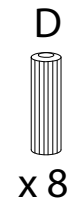
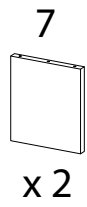
12



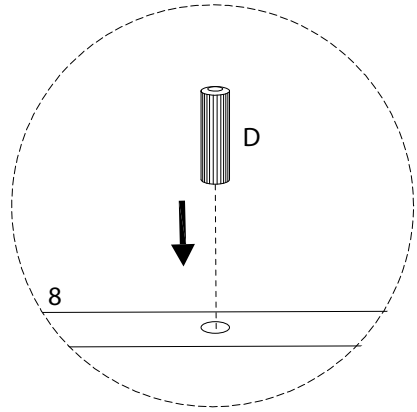
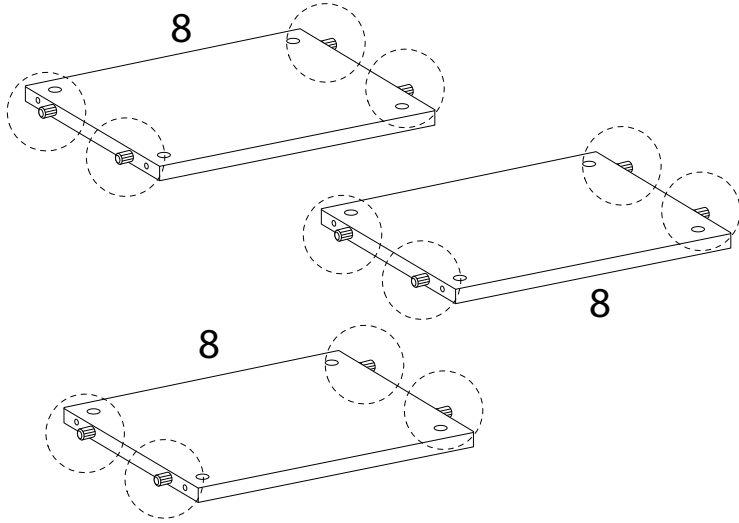
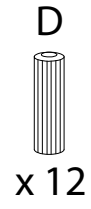
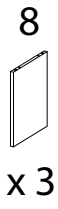
13



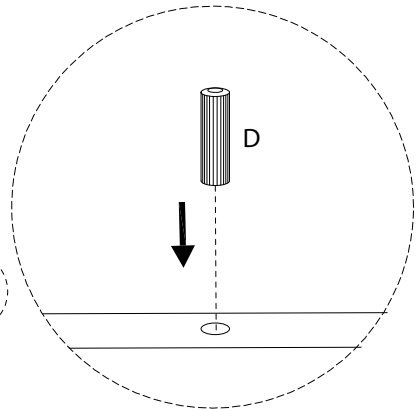
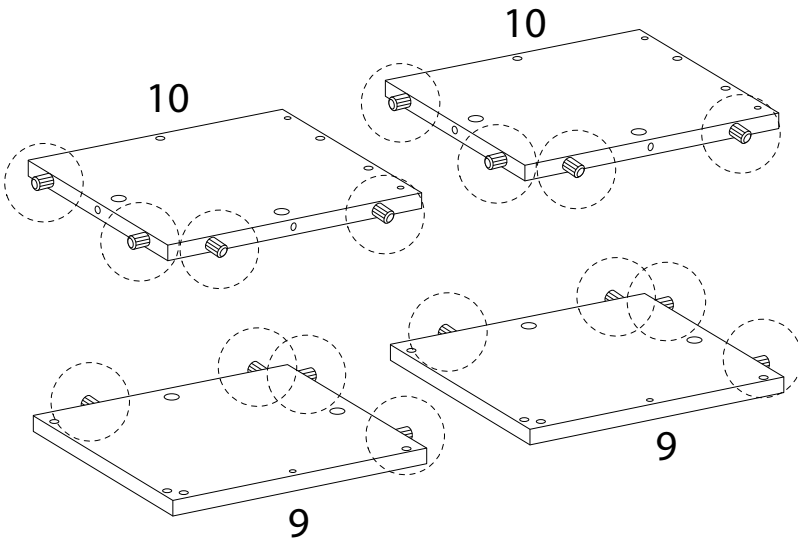
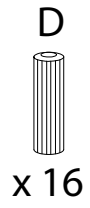
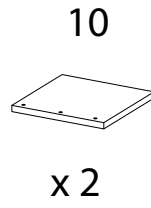
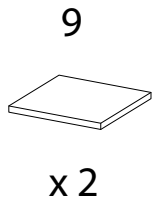
14



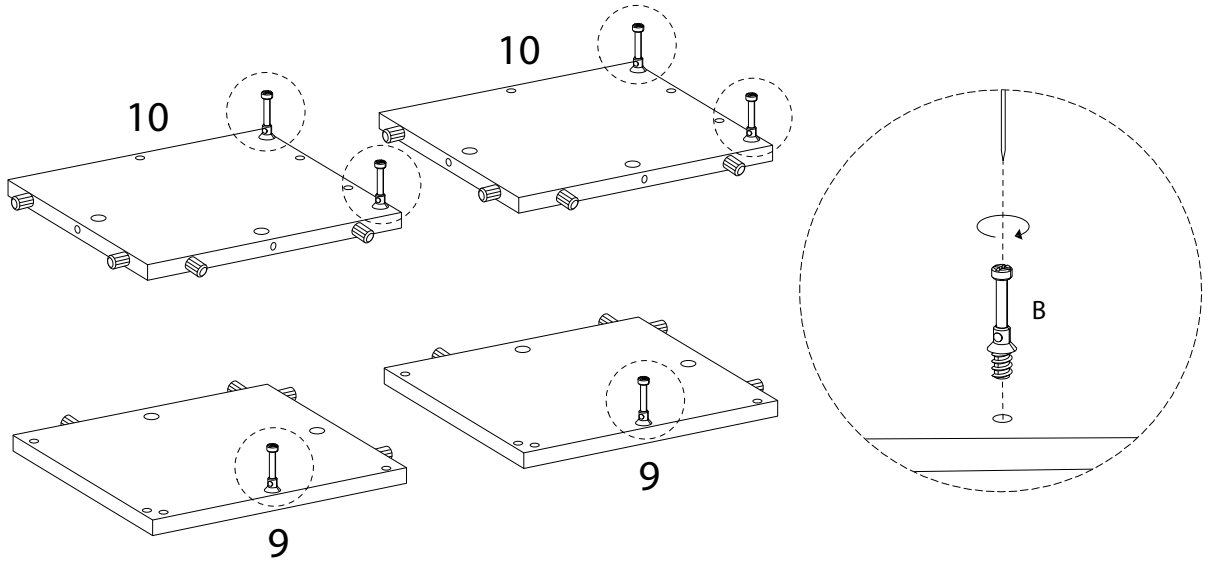
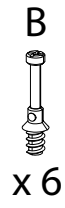
15



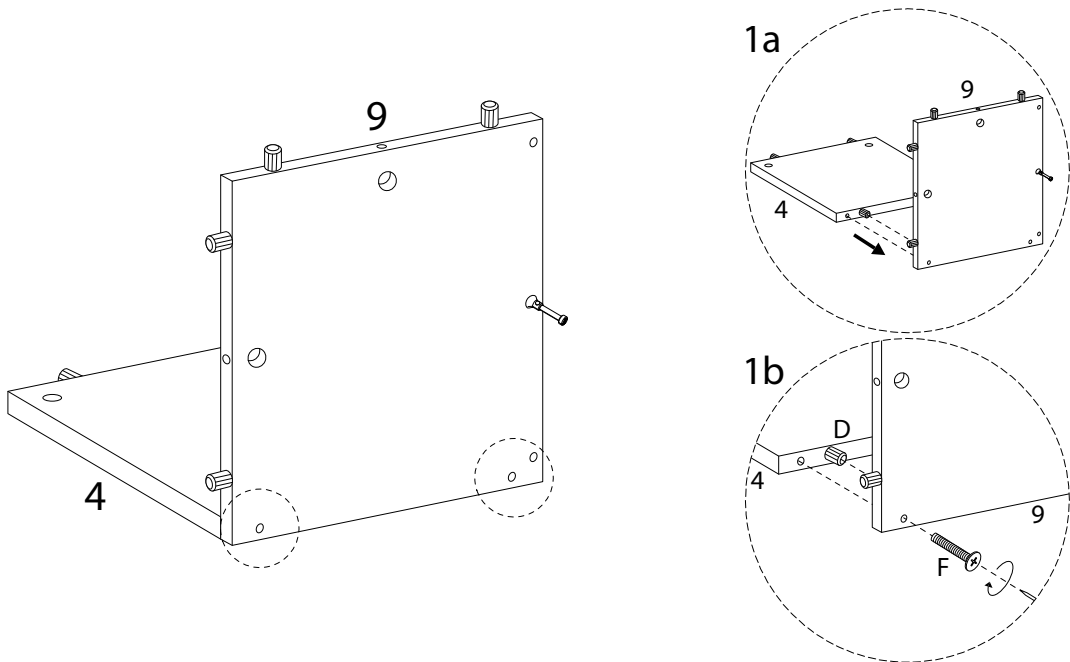
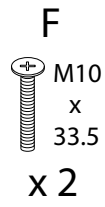
16



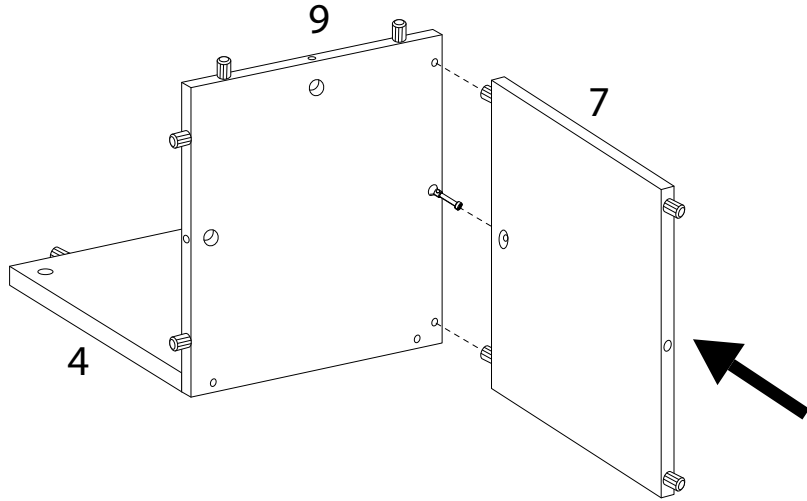
17



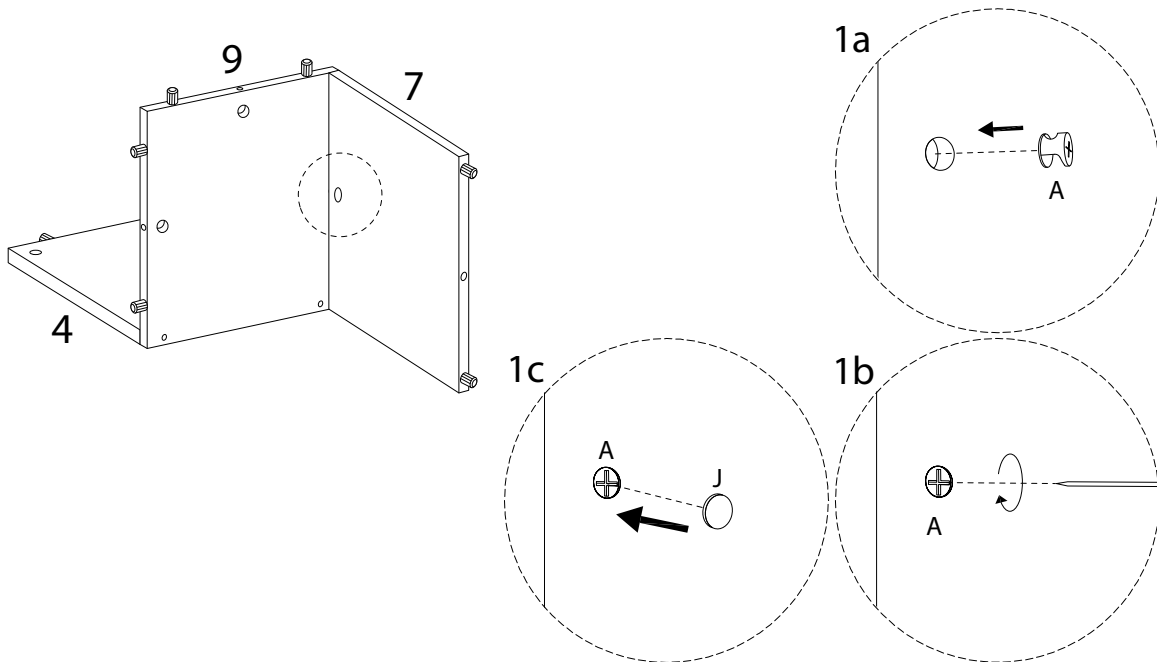
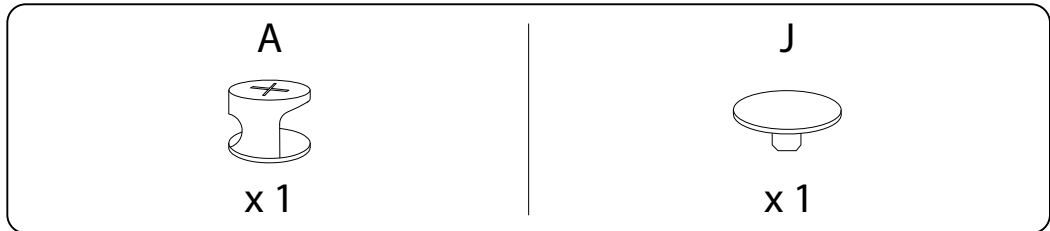
18 x 2



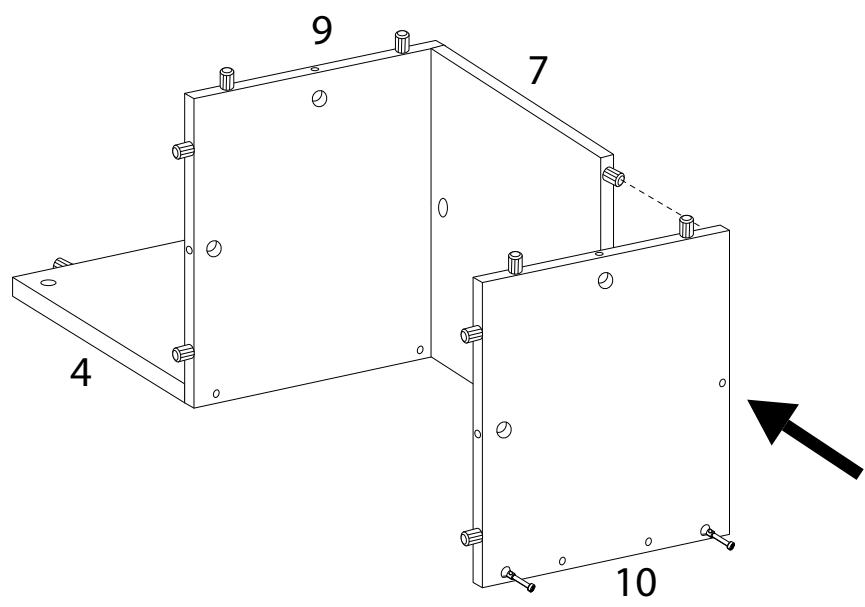
19



20

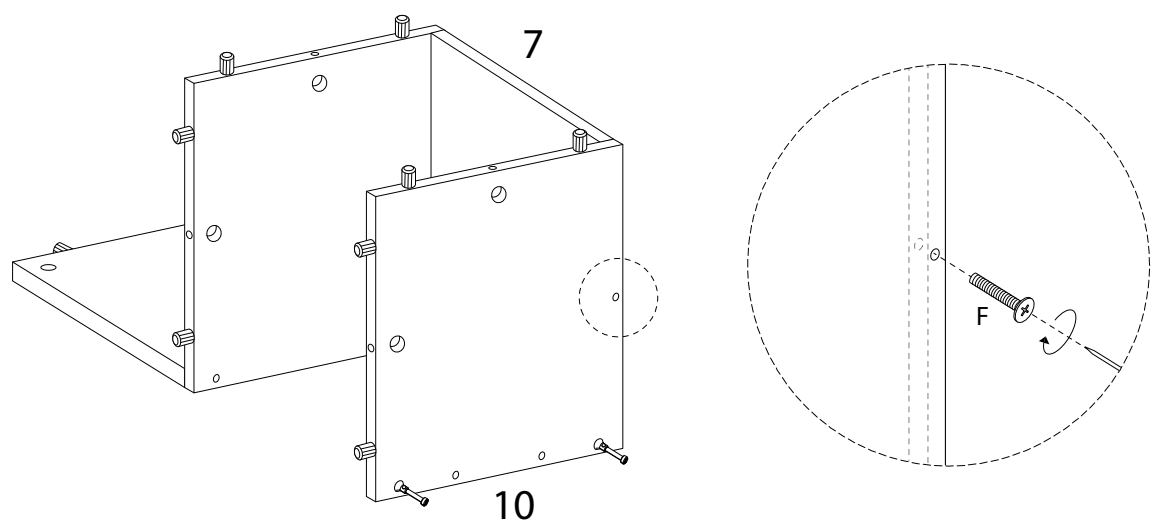


21

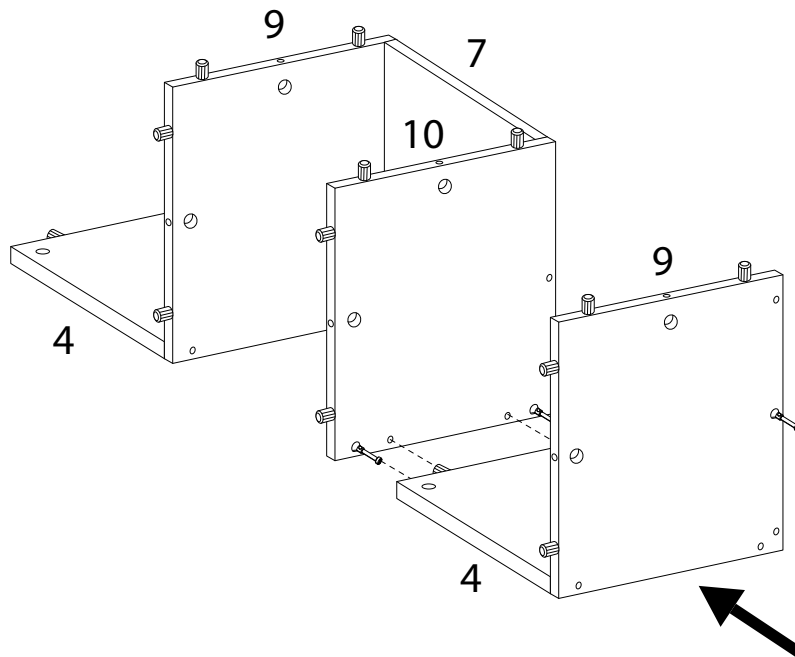


22

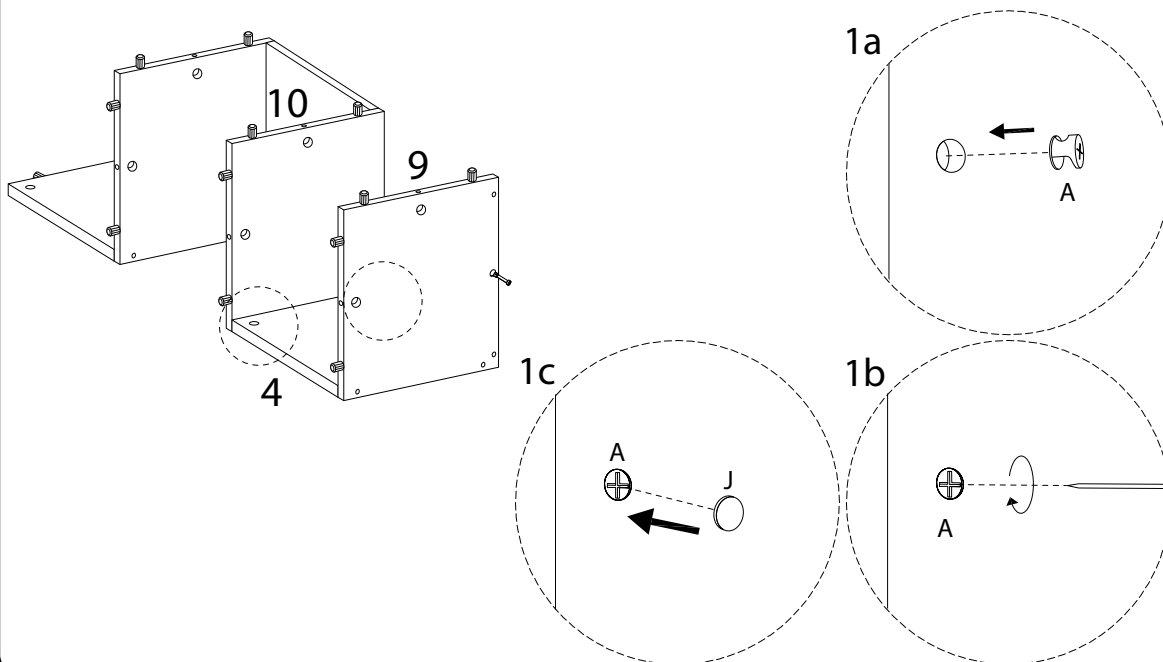
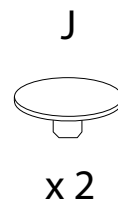
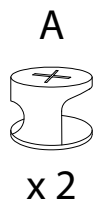
F
M10
x
33.5
x 1



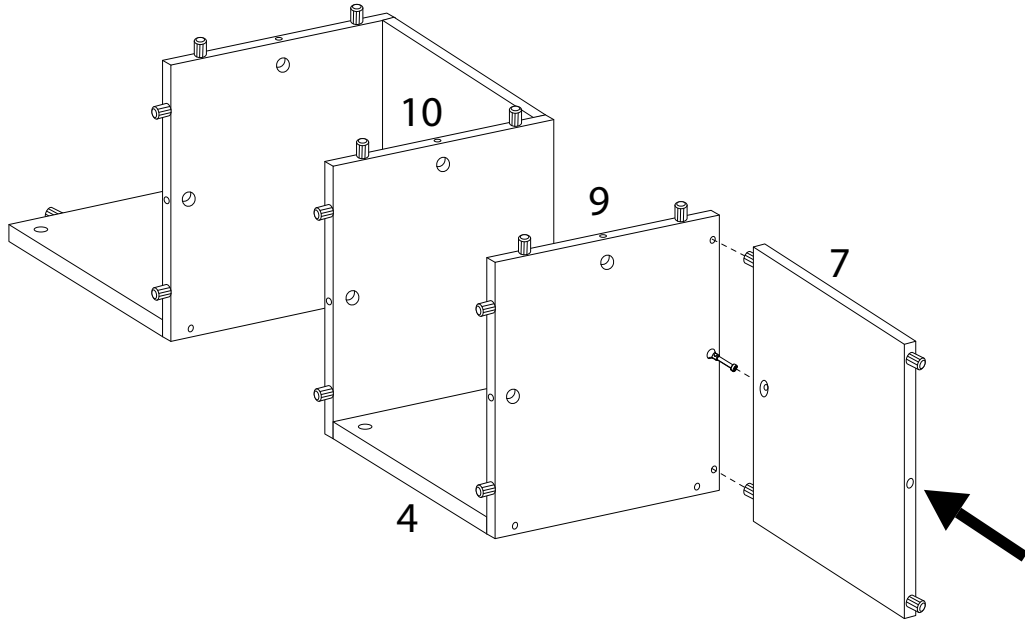
23



24



25



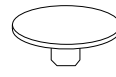
26

A

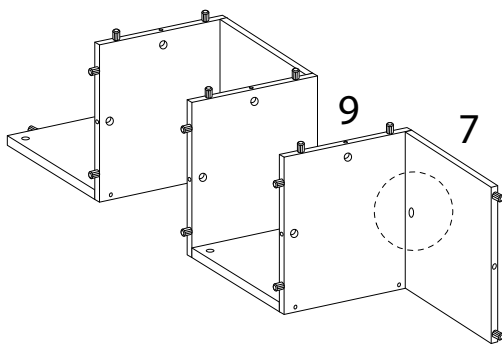


x 1

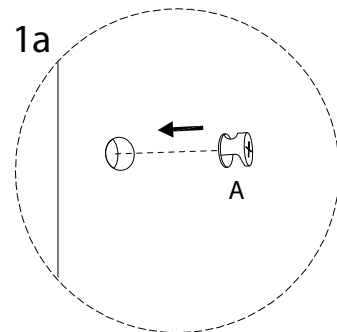
J



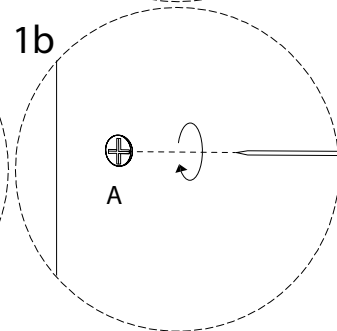
x 1



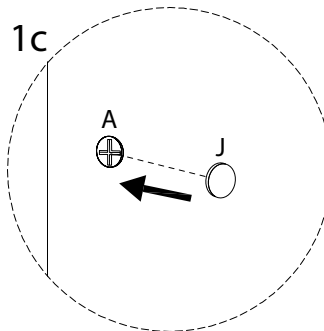
1a



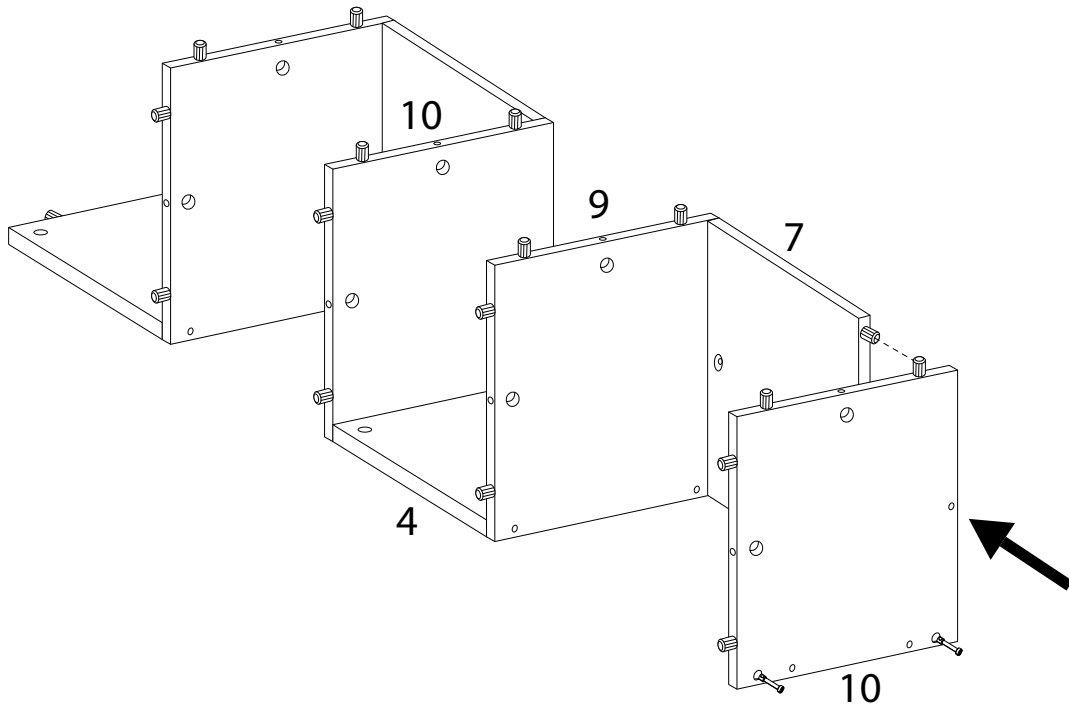
1b



1c

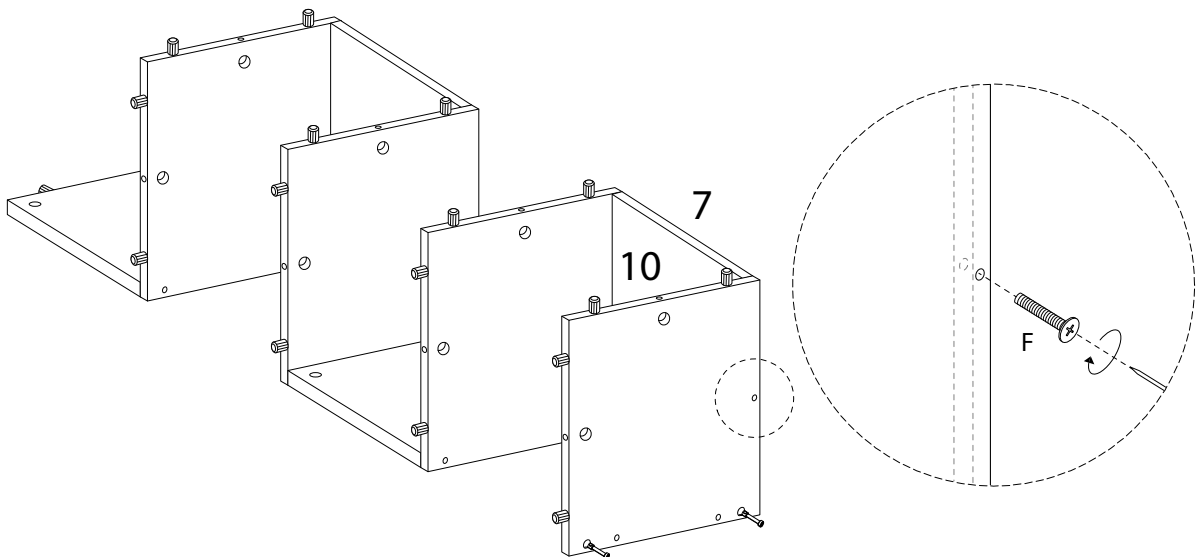


27

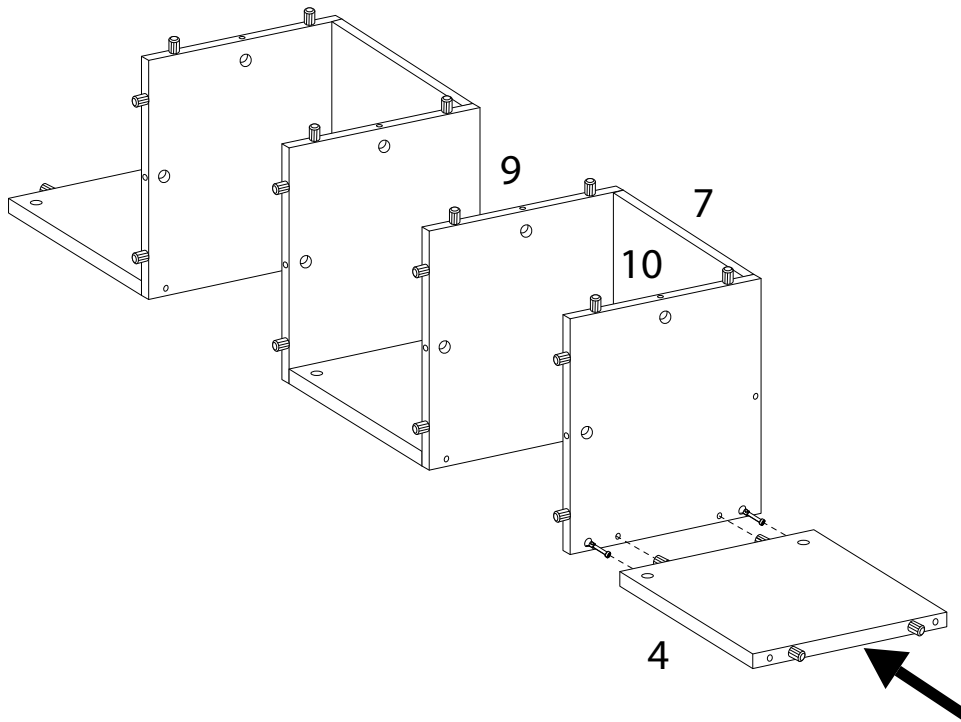


28

F
M10
x
33.5
x 1



29



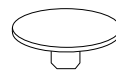
30

A

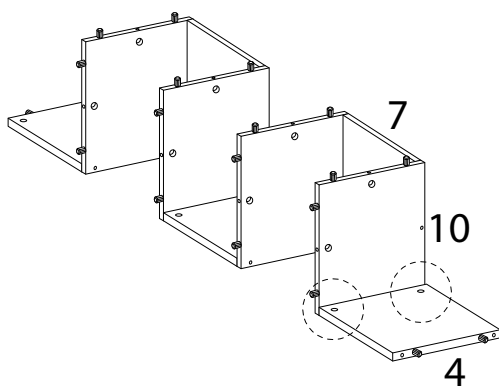


x 2

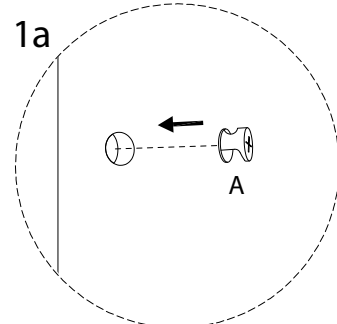
J



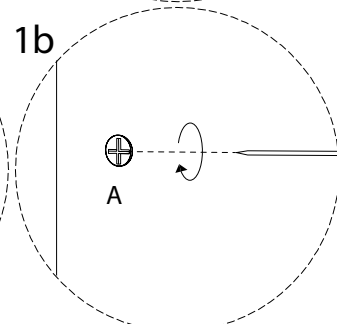
x 2



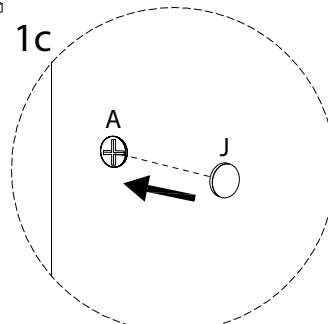
1a



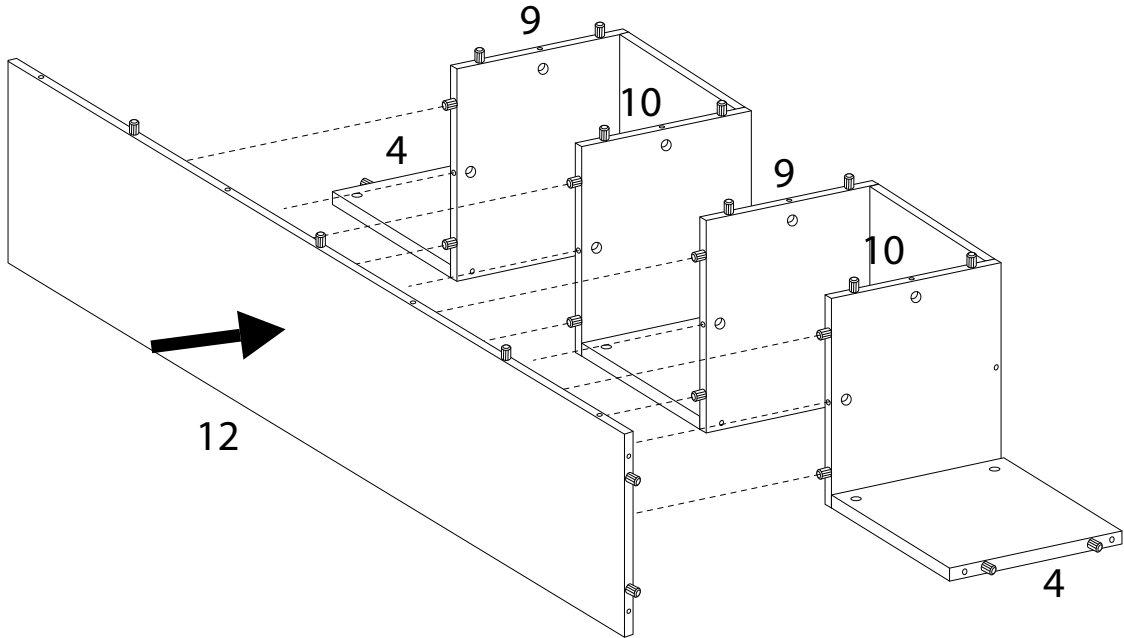
1b



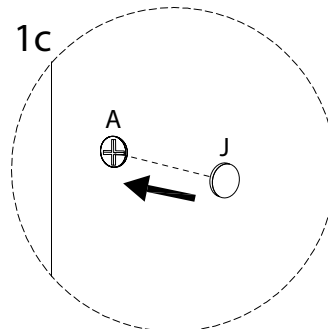
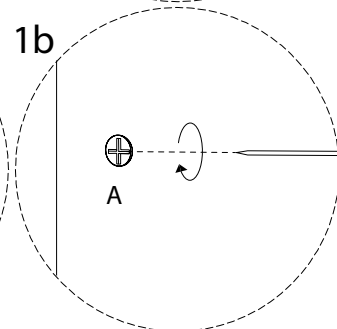
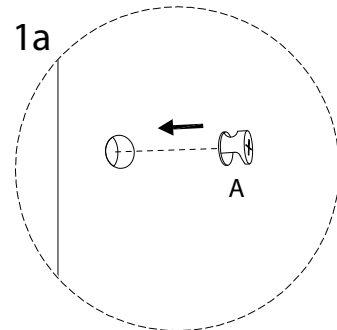
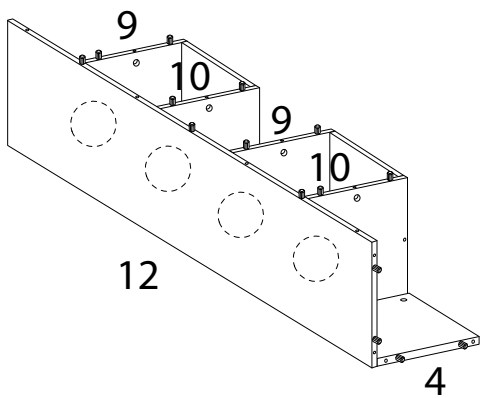
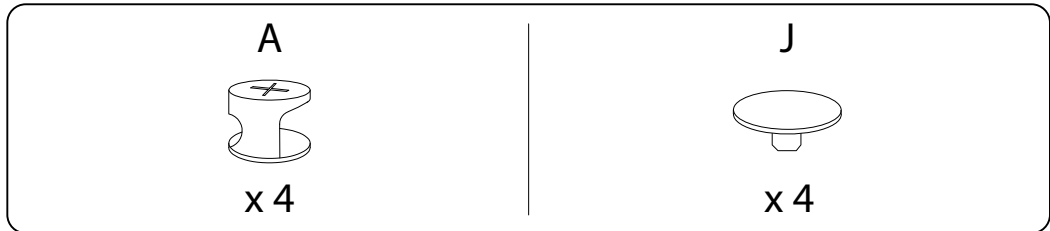
1c



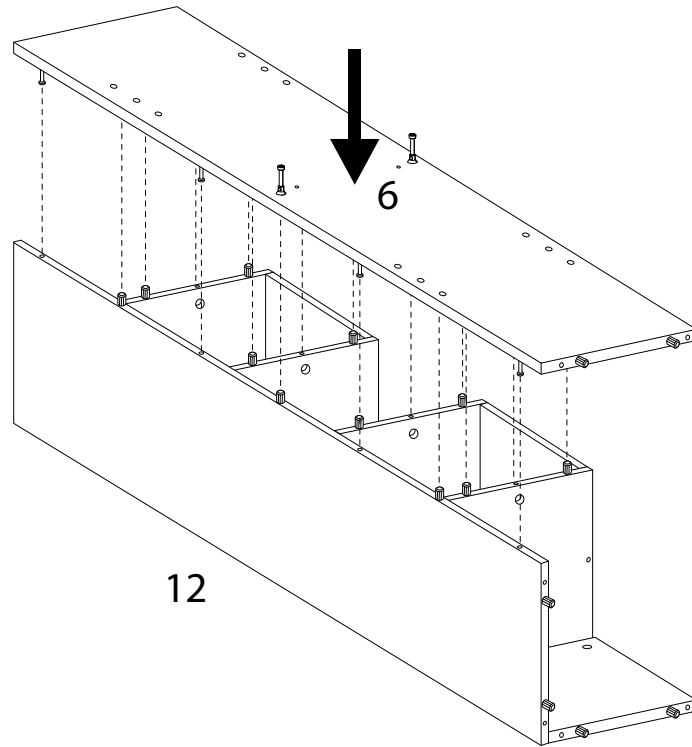
31



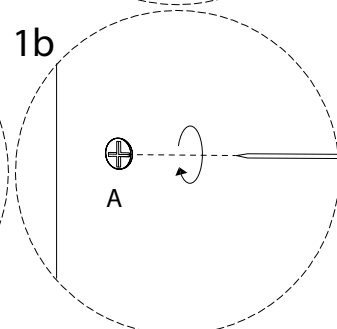
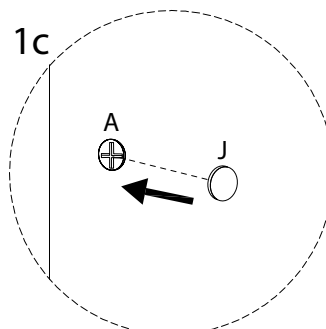
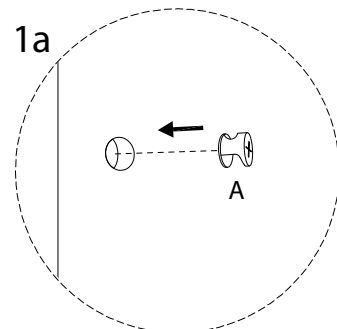
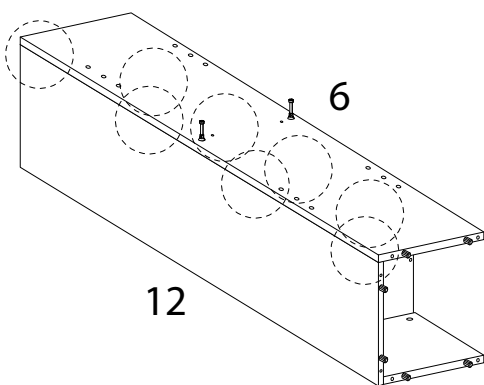
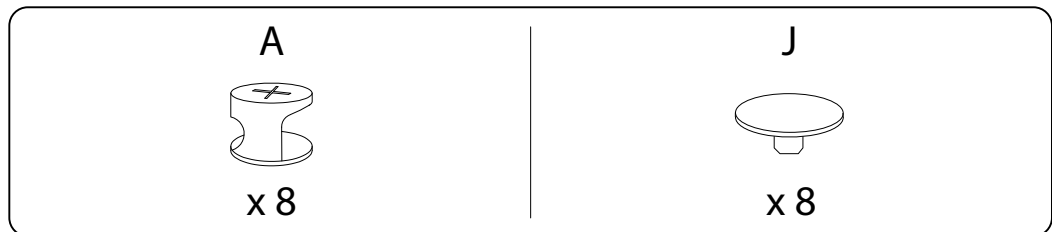
32



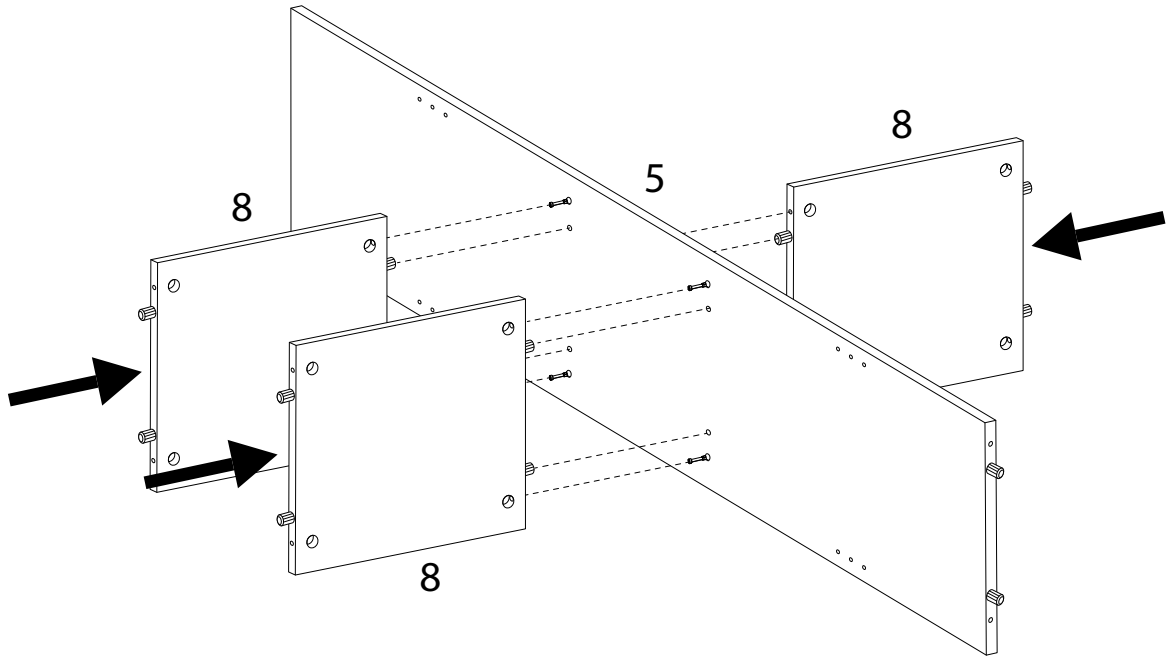
33



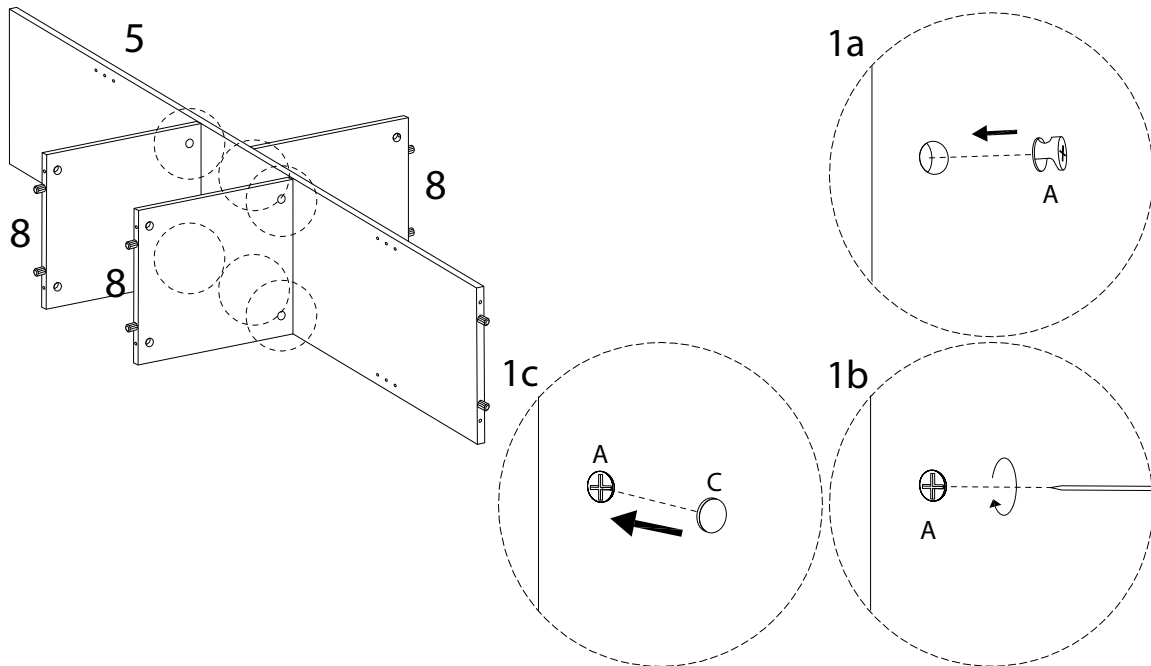
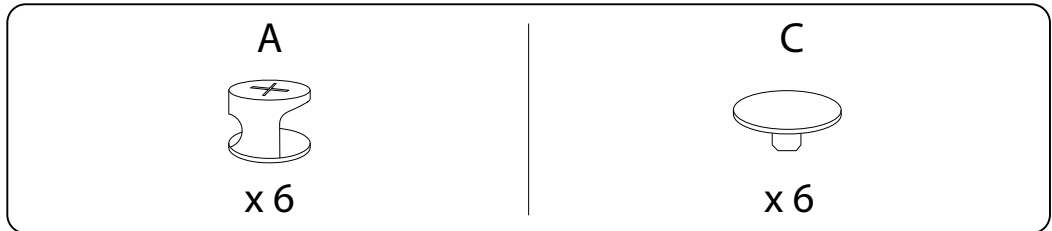
34



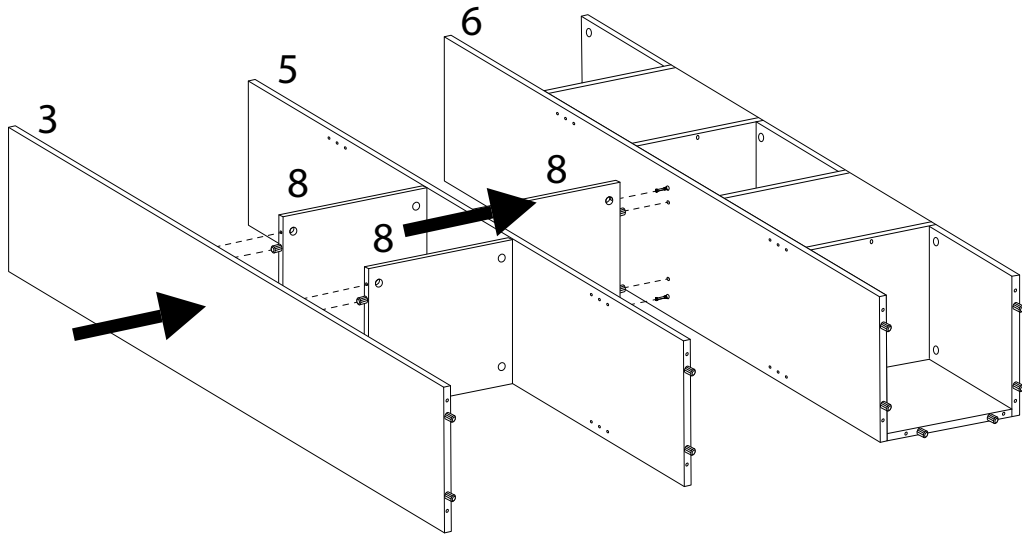
35



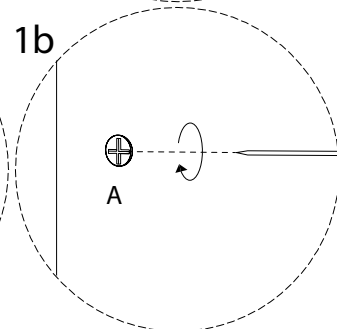
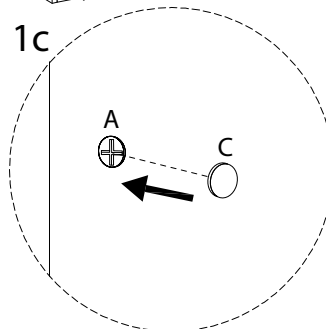
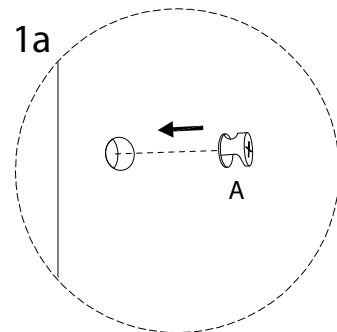
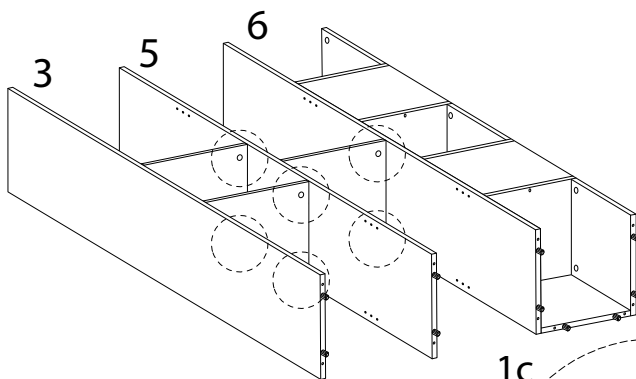
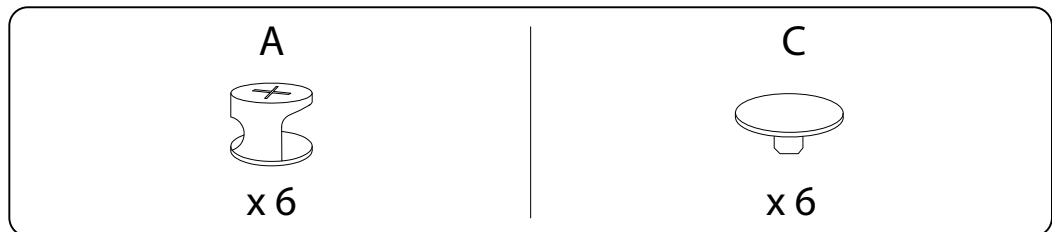
36



37

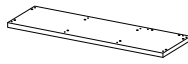


38

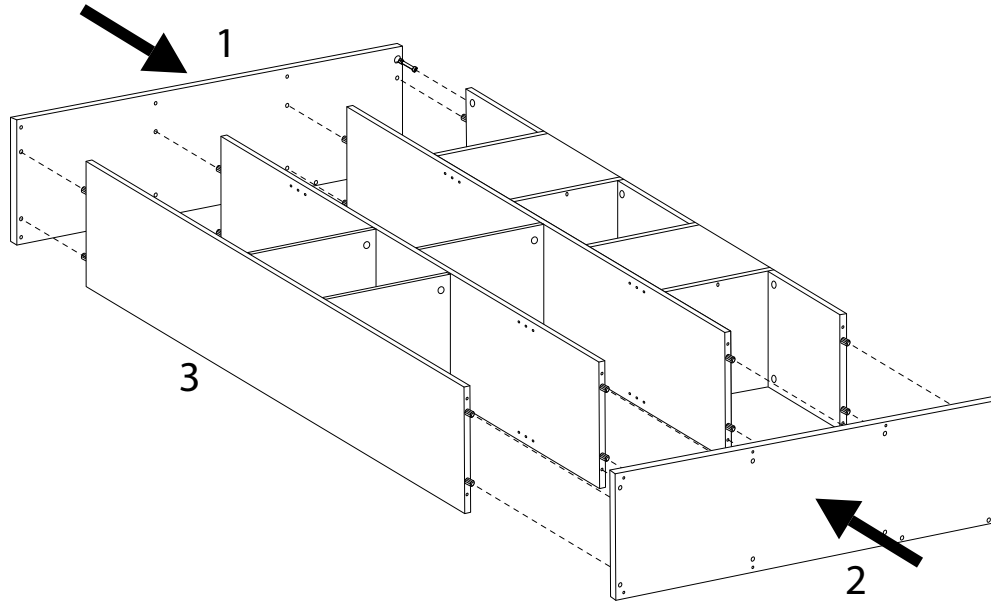


39

2

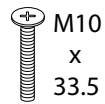


x1

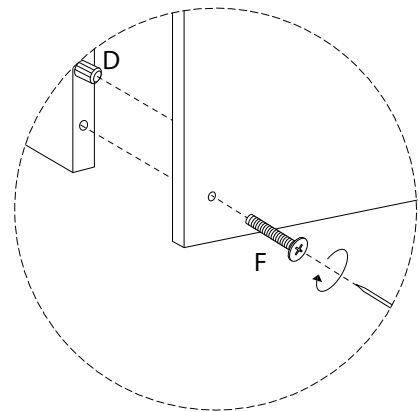
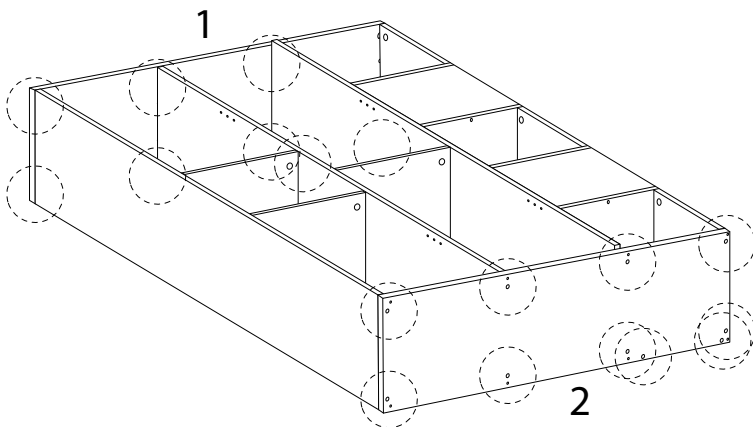


40

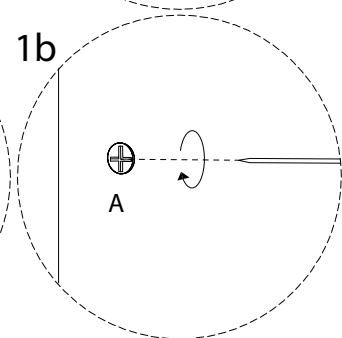
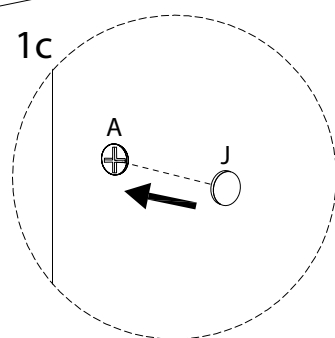
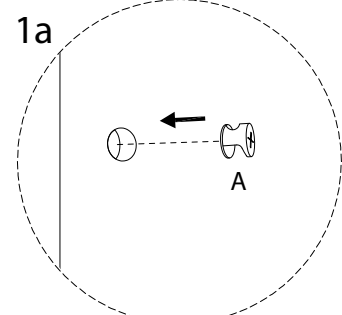
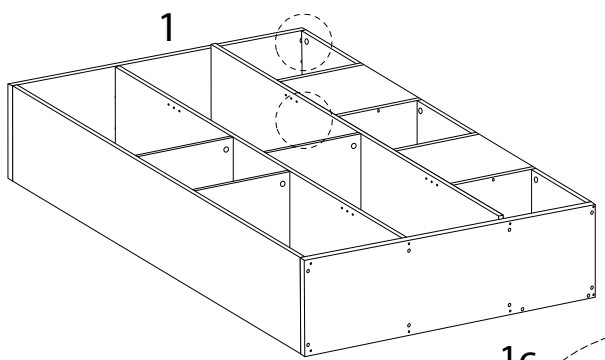
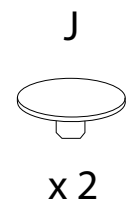
F



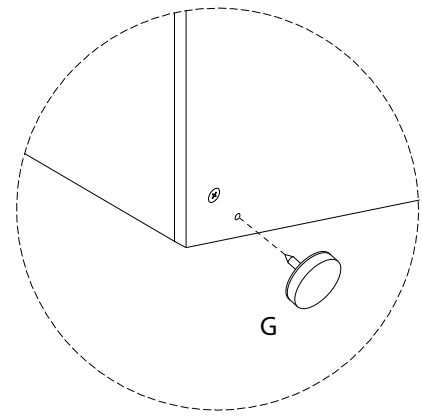
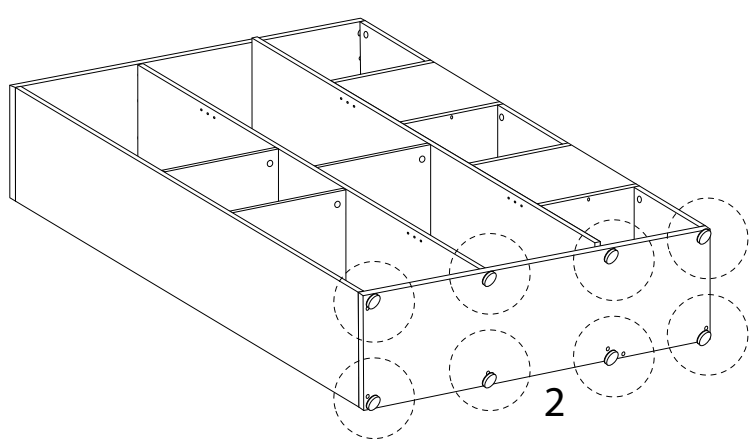
x 18



41

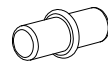


42

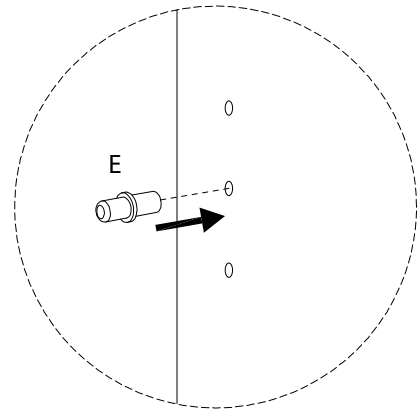
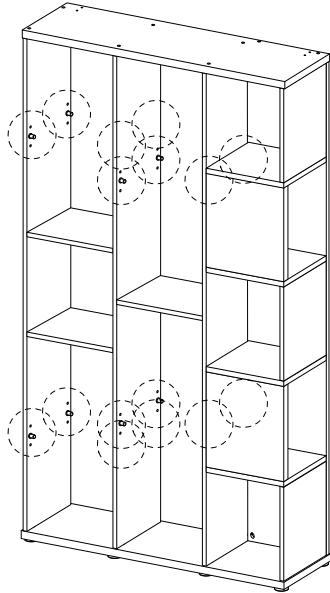


43

E



x 16

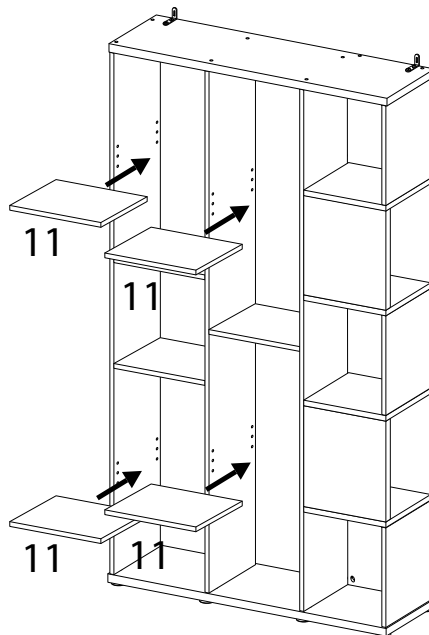


44

11



x 4



!

