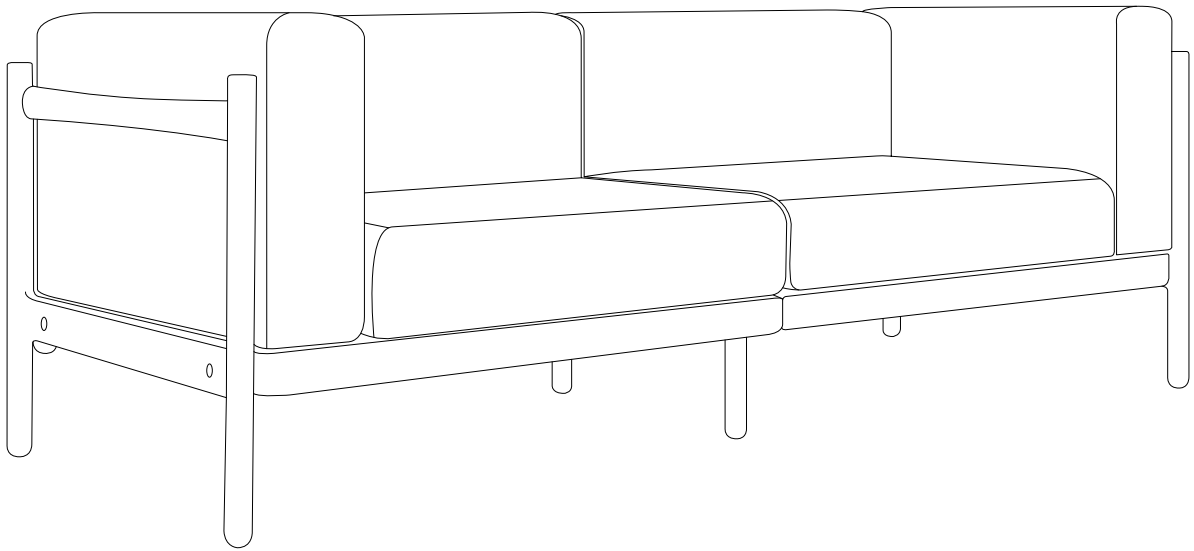
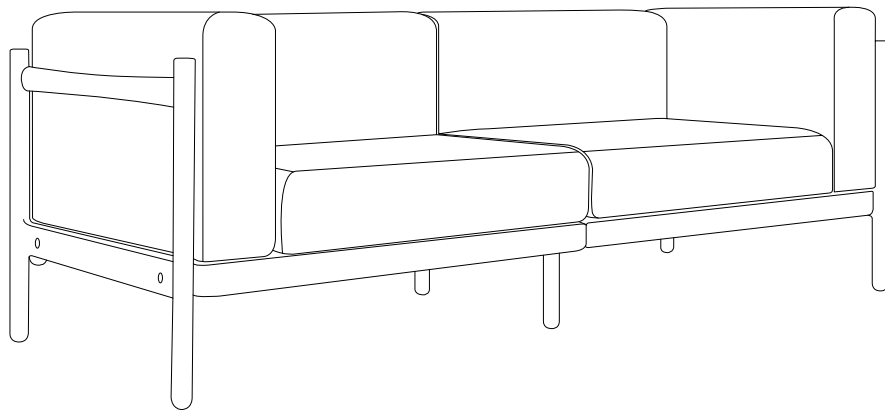
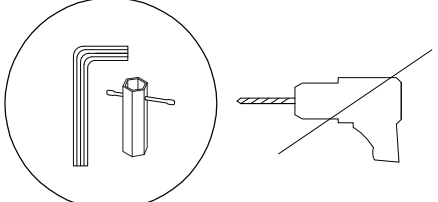

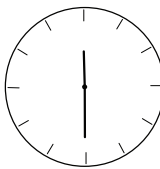
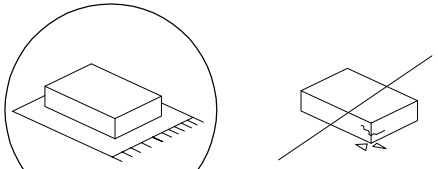

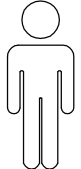


FERRETTI

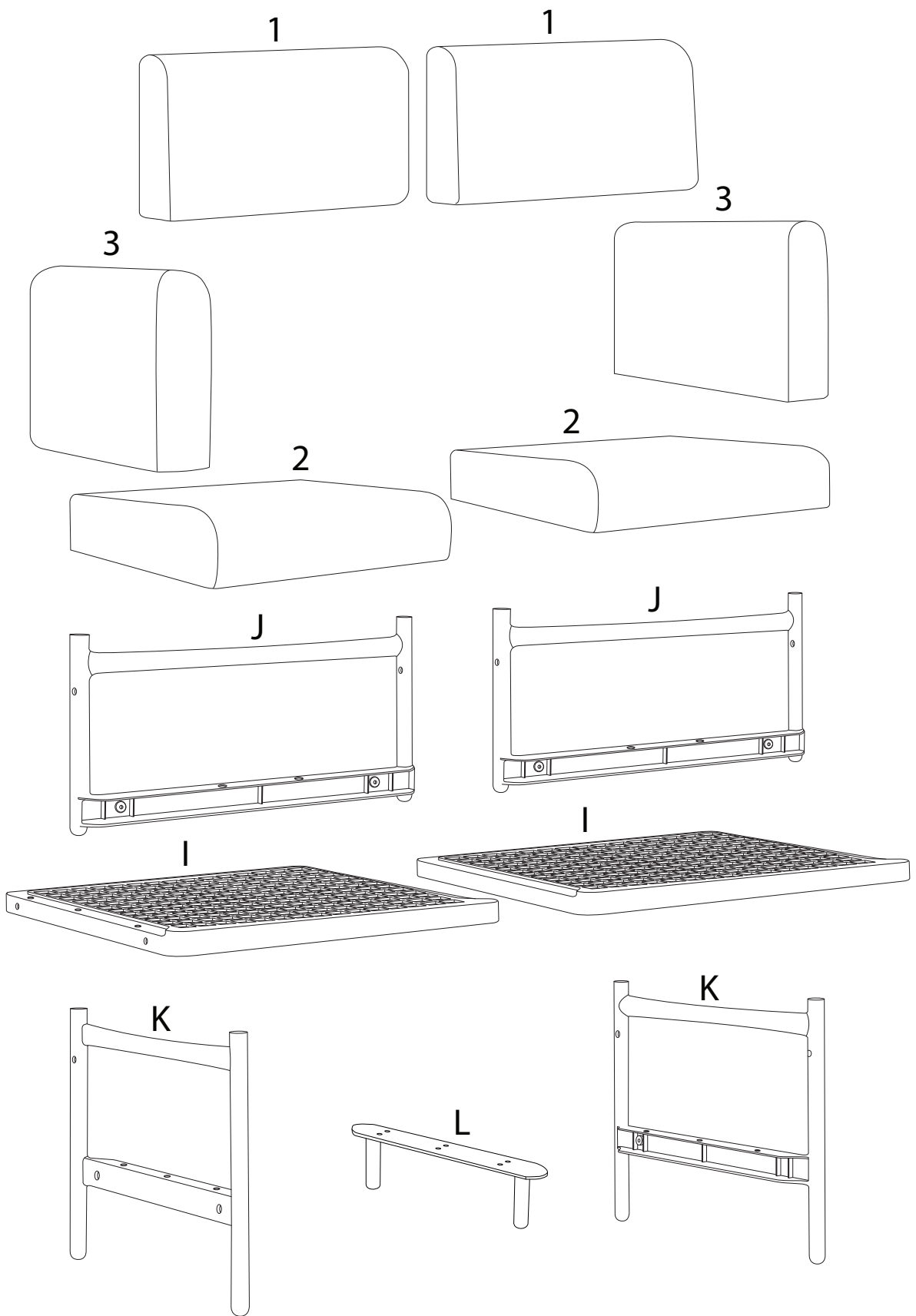




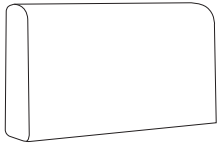
		
		

30'

1

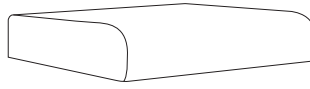


1



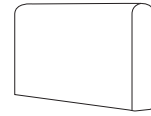
x 2

2



x 2

3



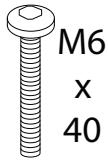
x 2

A



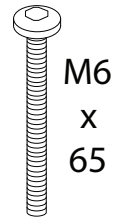
x 1

B



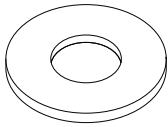
x 3

C



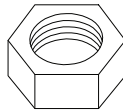
x 21

D



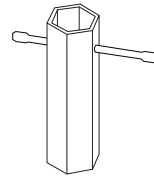
x 48

E



x 24

F



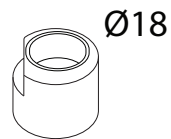
x 1

G



x 2

H



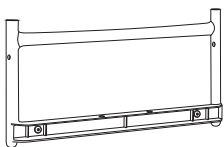
x 8

I



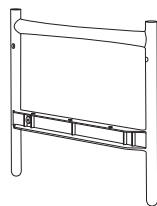
x 2

J



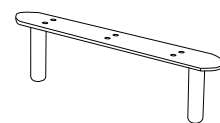
x 2

K



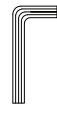

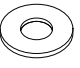
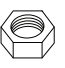
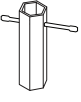


x 2

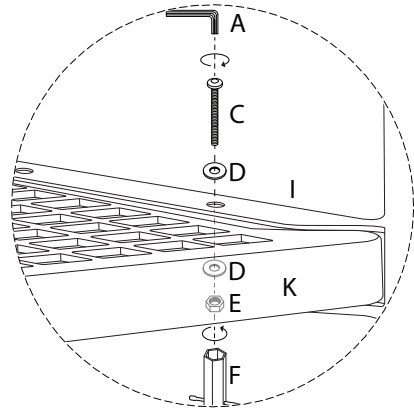
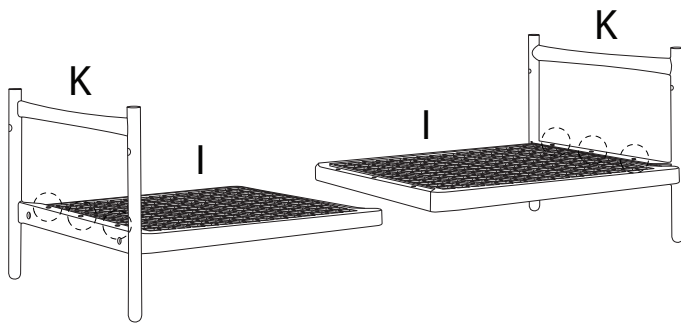
L



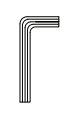
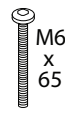

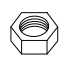
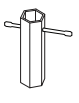

x 1

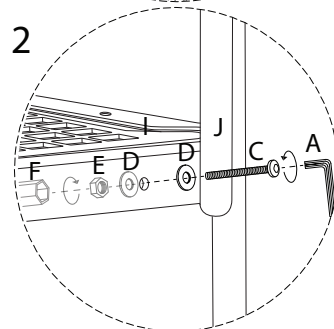
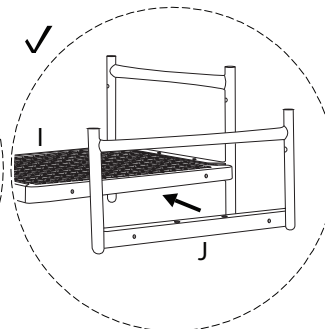
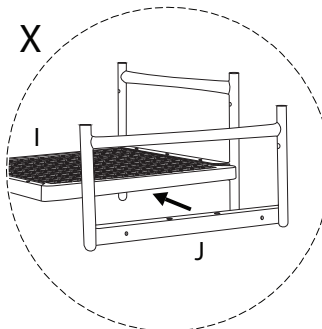
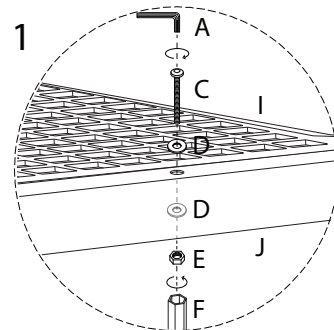
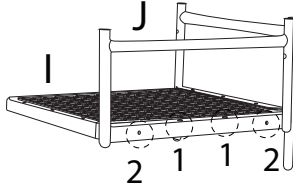
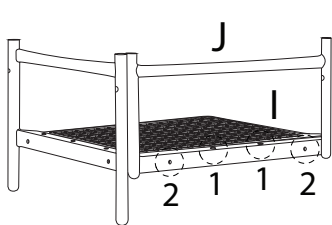
1

A  x 1	C  x 6	D  x 12	E  x 6	F  x 1	I  x 2	K  x 2
---	---	--	---	---	---	---

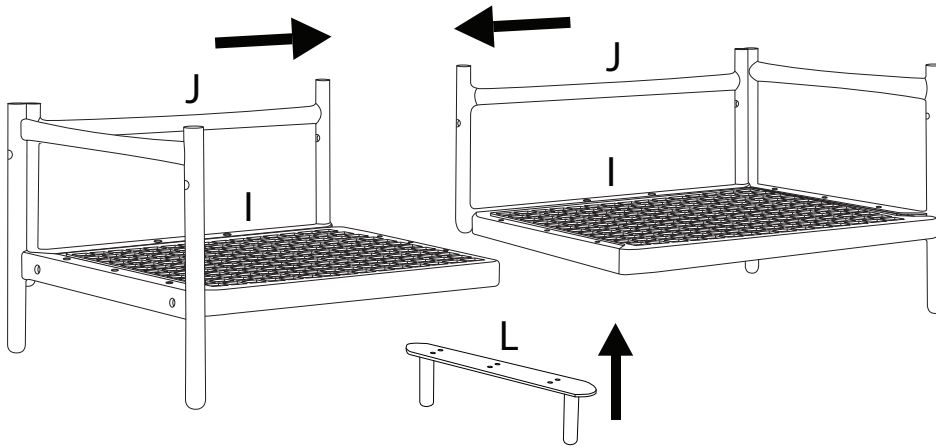
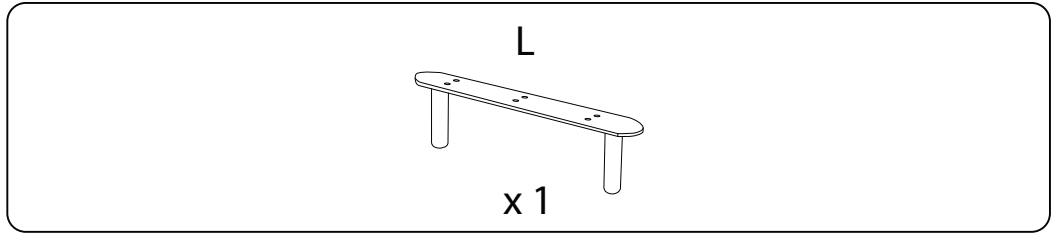


2

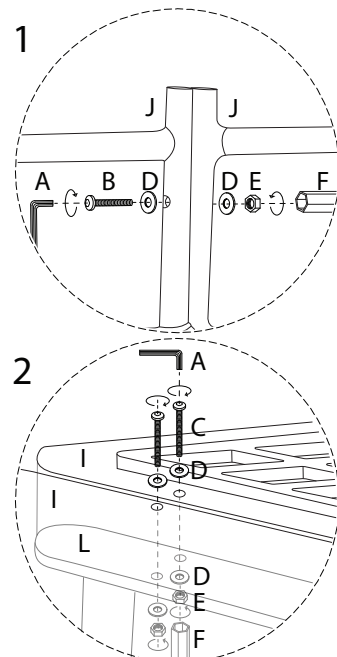
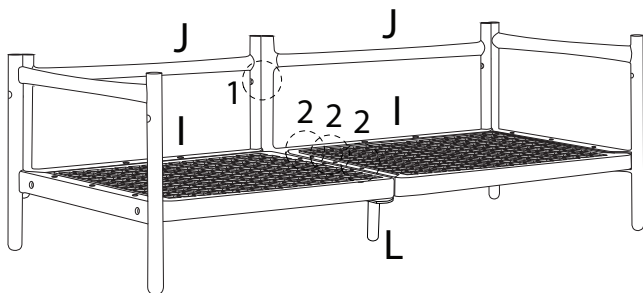
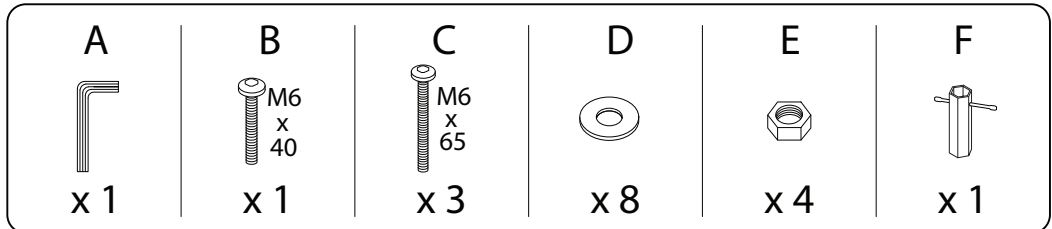
A  x 1	C  x 8	D  x 16	E  x 8	F  x 1	J  x 2
---	---	--	--	---	---



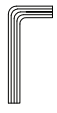

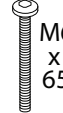
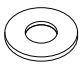
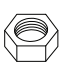
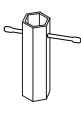
3

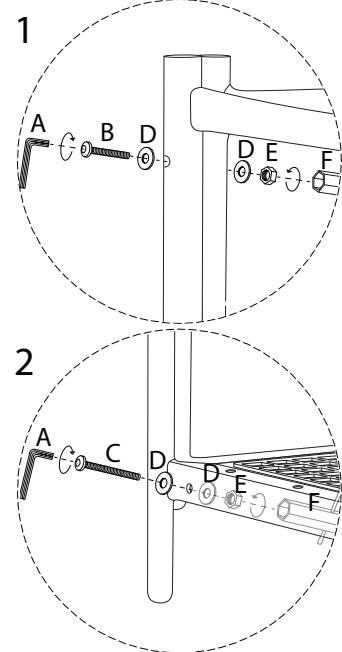
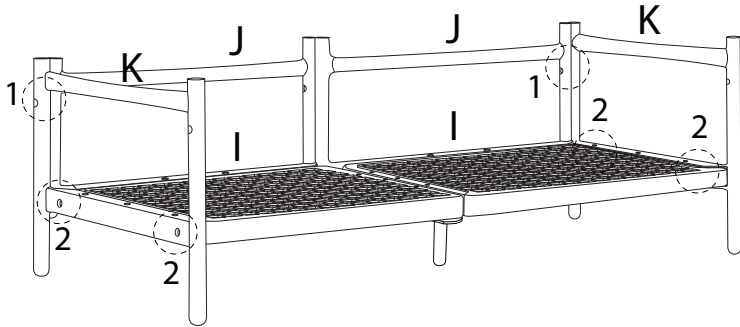


4





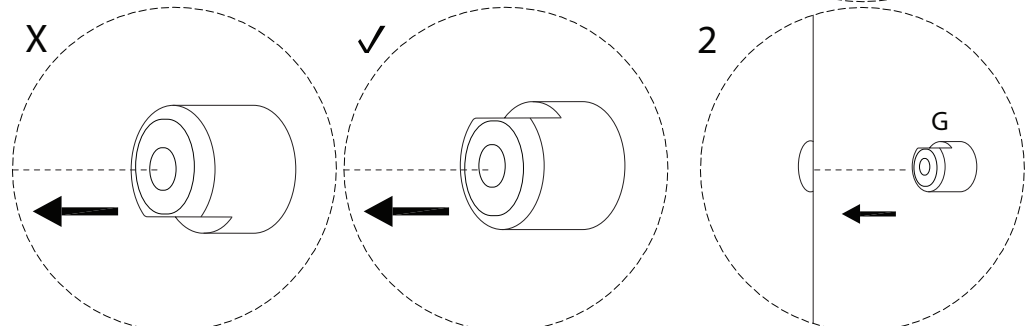
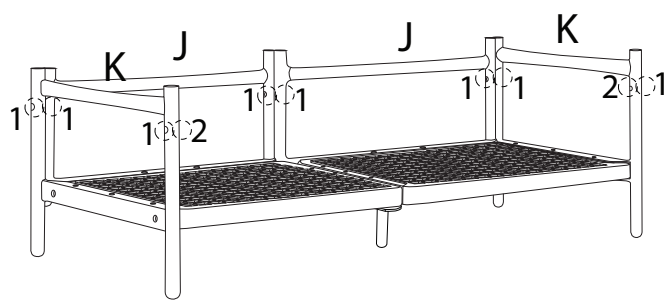
5

<p>A</p>  <p>x 1</p>	<p>B</p>  <p>x 2</p>	<p>C</p>  <p>x 4</p>	<p>D</p>  <p>x 12</p>	<p>E</p>  <p>x 6</p>	<p>F</p>  <p>x 1</p>
--	--	--	--	--	--

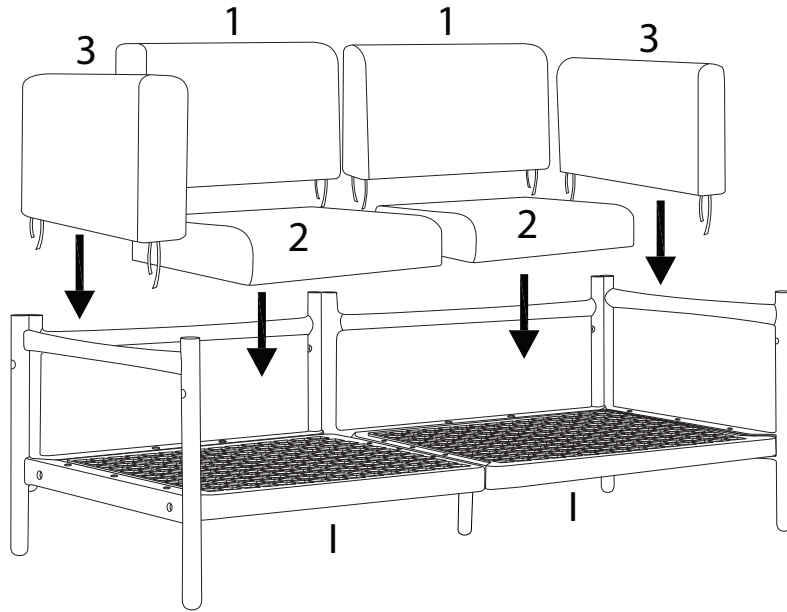
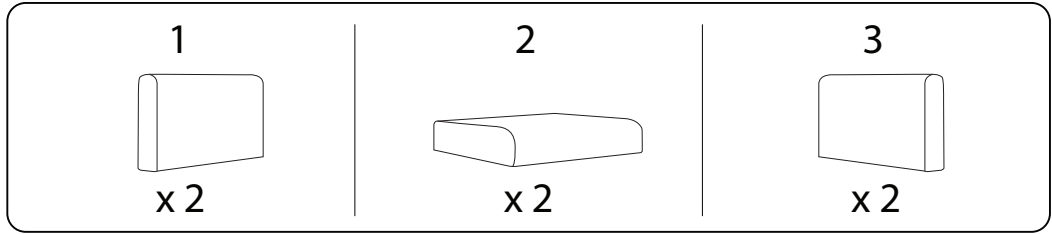


6

<p>G</p>  <p>x 2</p>	<p>H</p>  <p>x 8</p>
--	--



7



!

