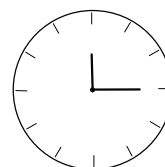
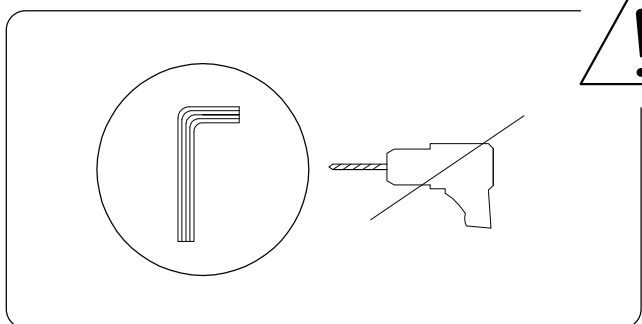
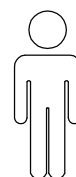
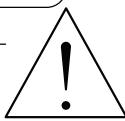
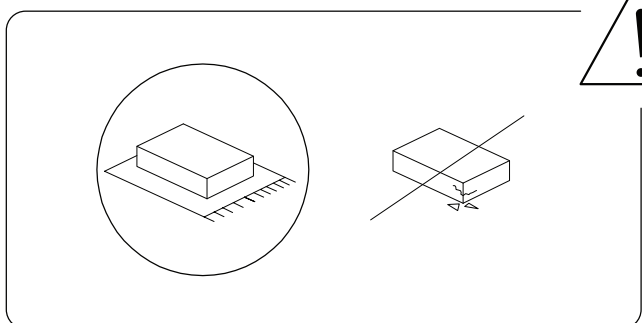


# MORA

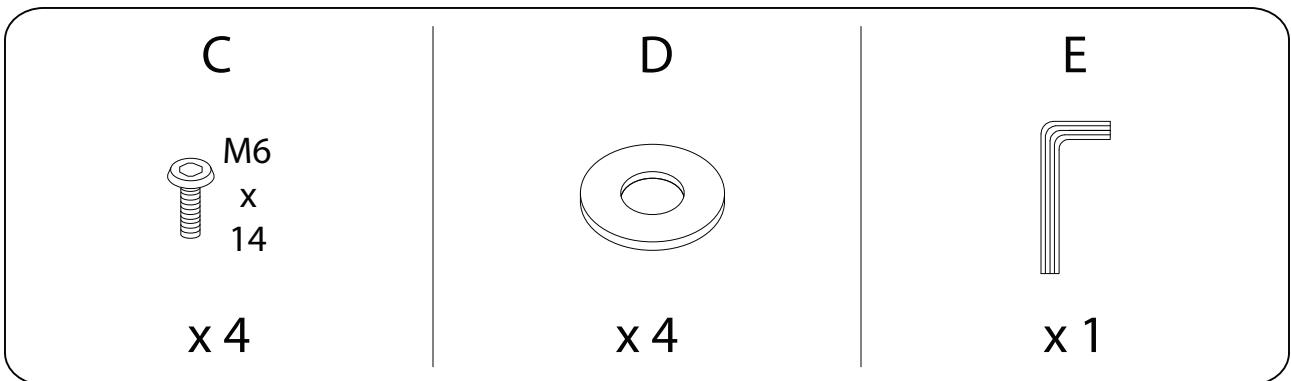
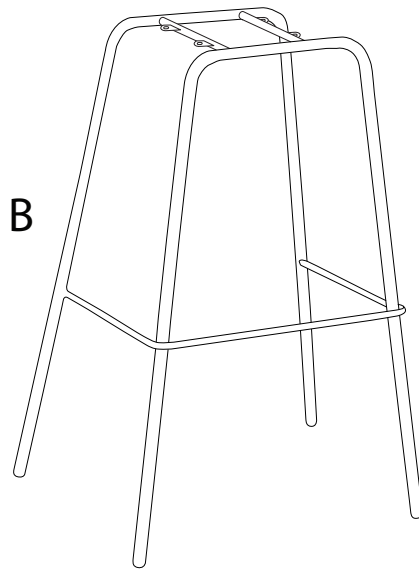
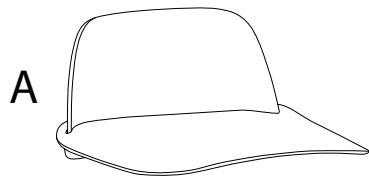
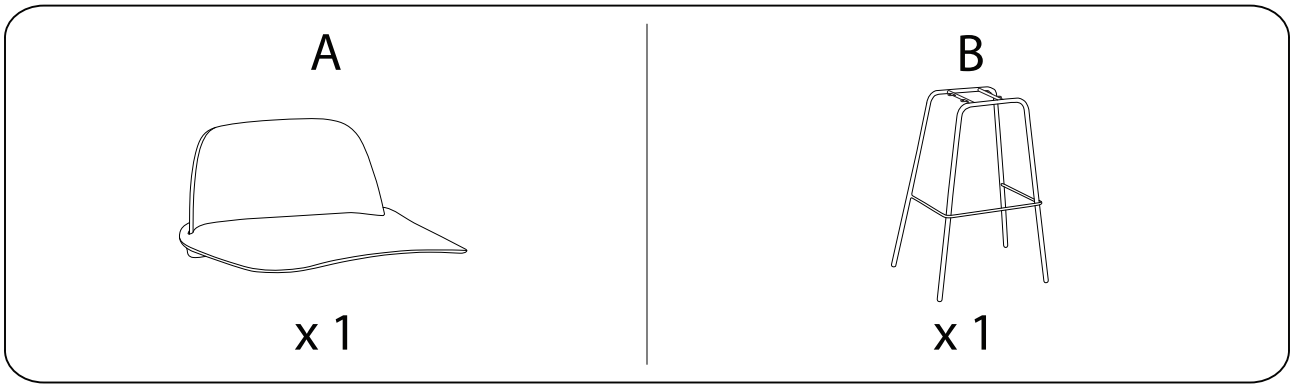




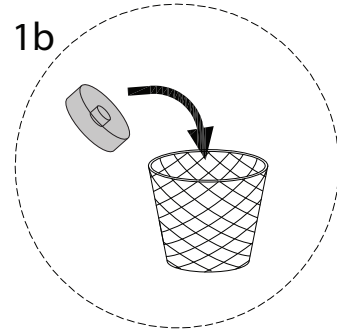
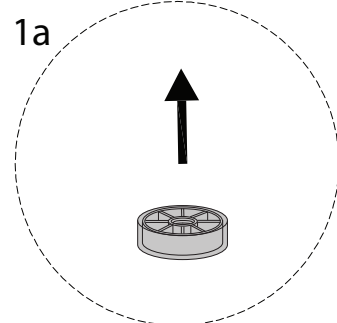
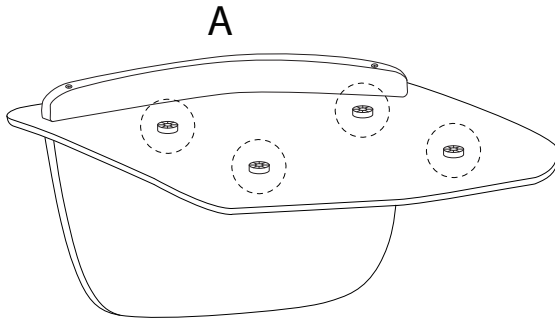
15'



1



!



1

A	B	C	D	E
x 1	x 1	x 4	x 4	x 1

