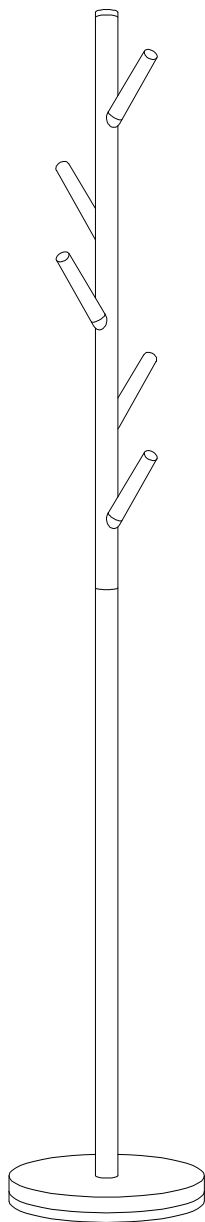
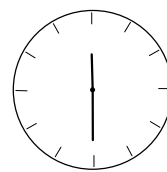
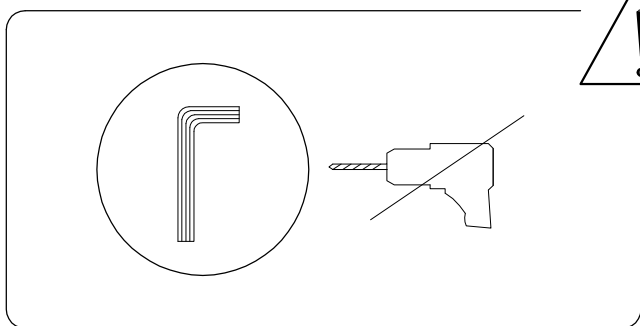
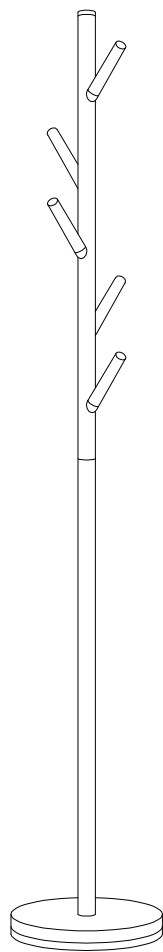
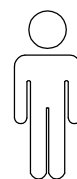
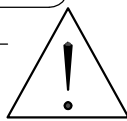
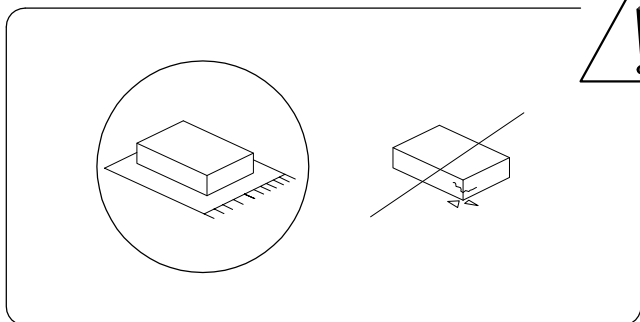


# ALBIN

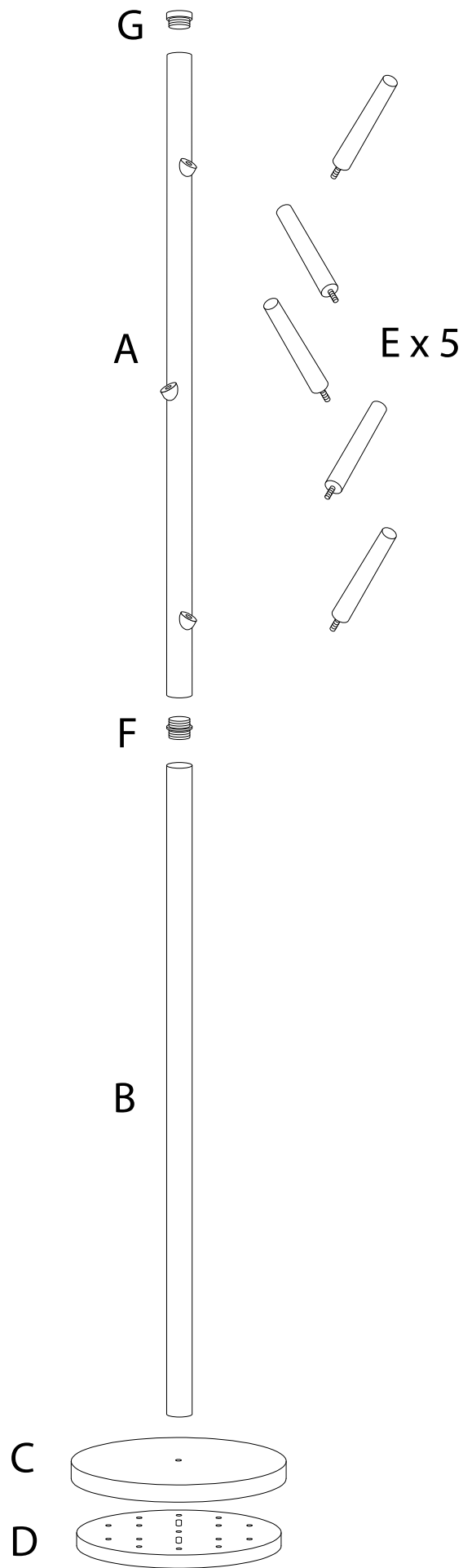




30'



1



A



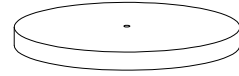
x 1

B



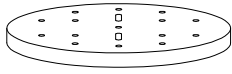
x 1

C



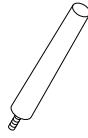
x 1

D



x 1

E



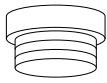
x 5

F



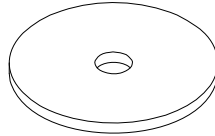
x 1

G



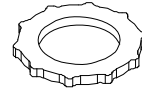
x 1

H



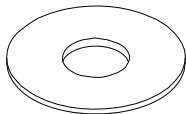
x 1

I



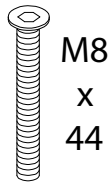
x 1

J



x 1

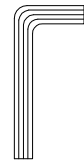
K



M8  
x  
44

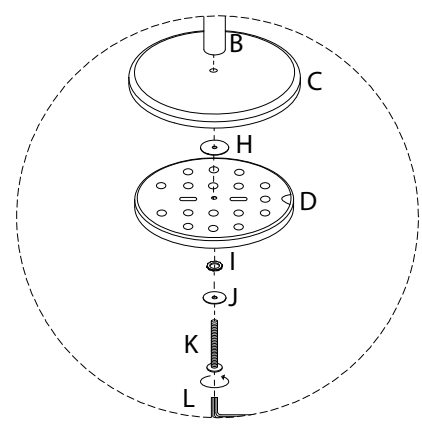
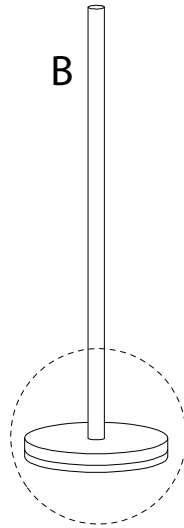
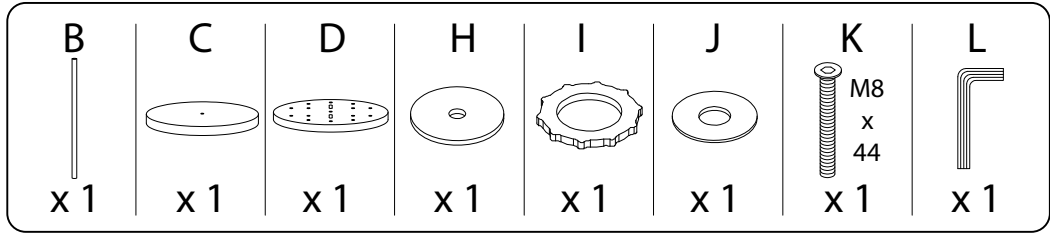
x 1

L

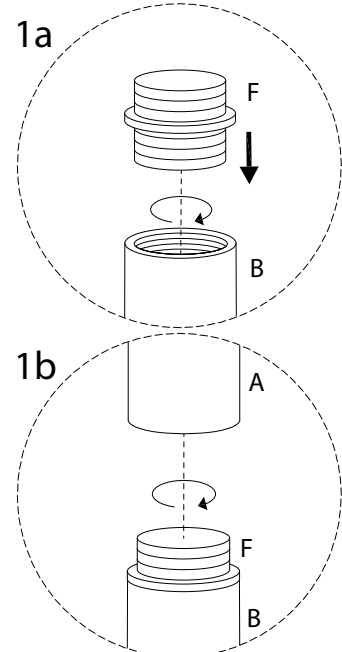
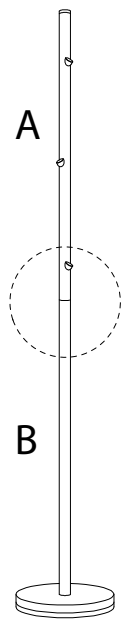
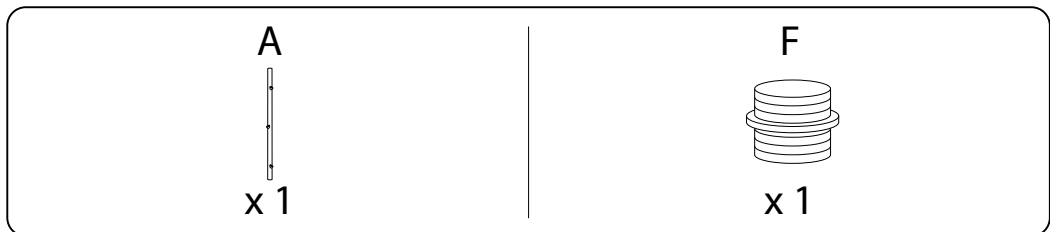


x 1

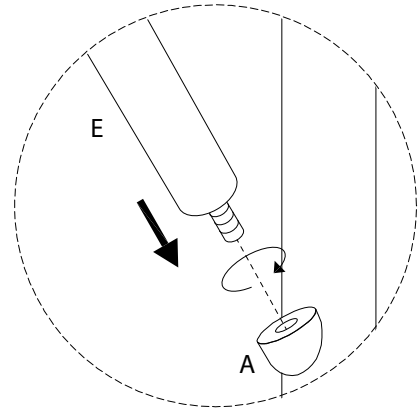
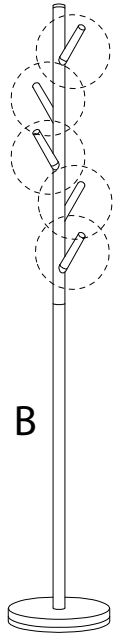
1



2



3



4

