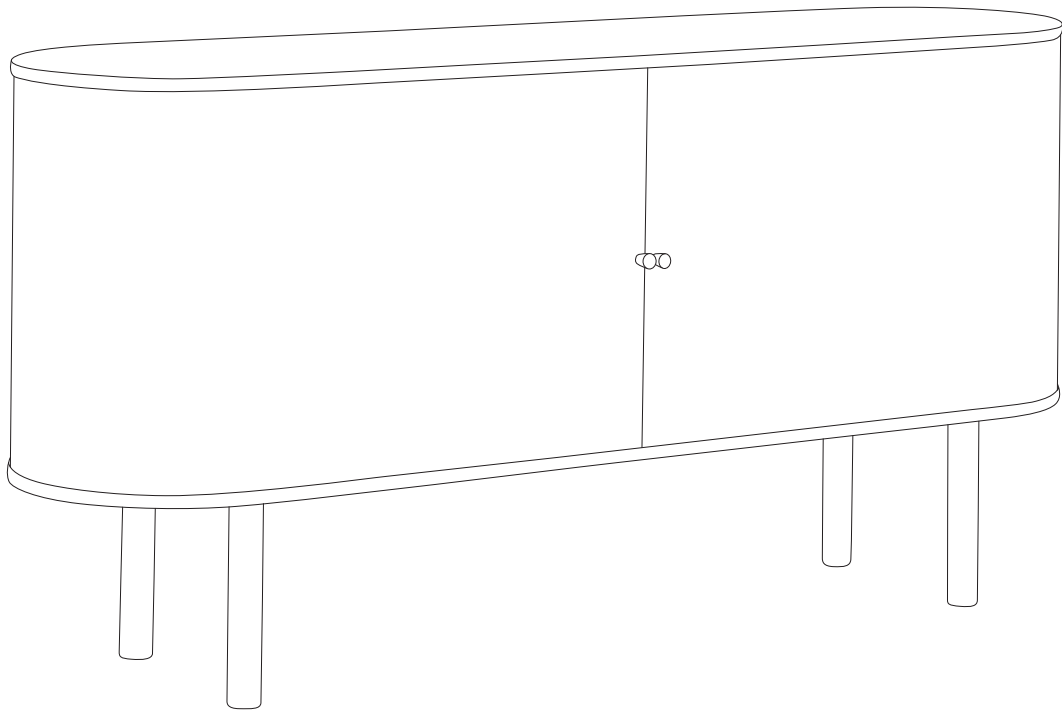
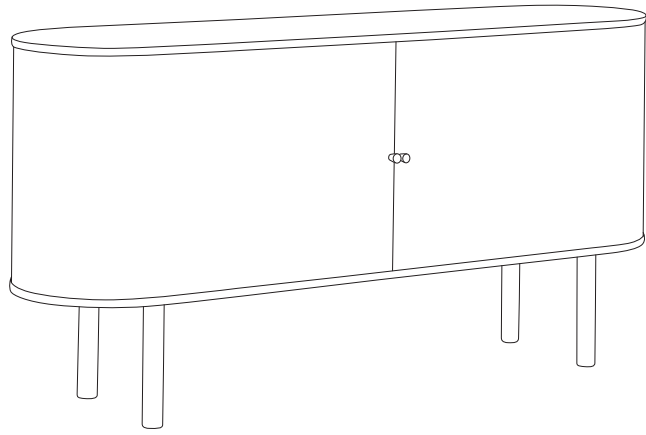


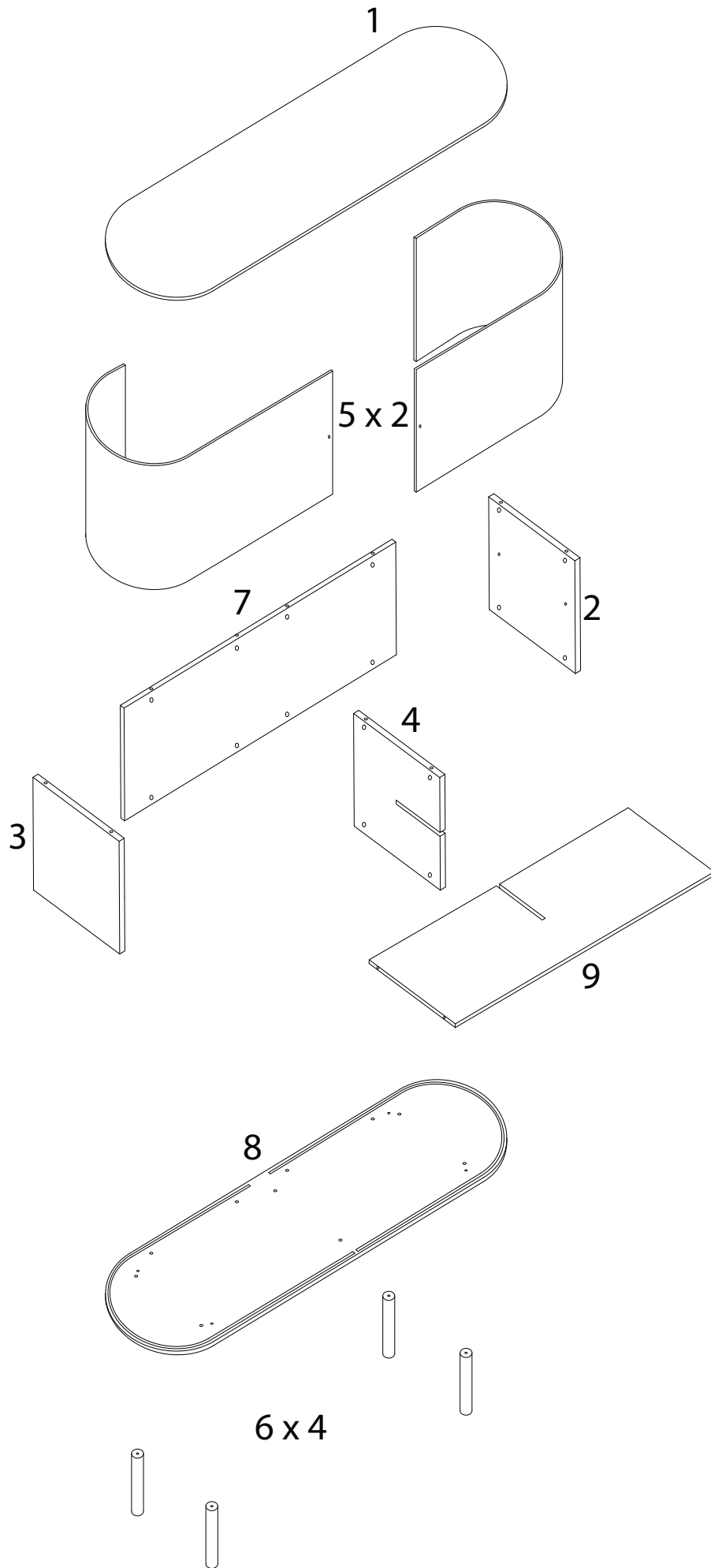
# MANARA



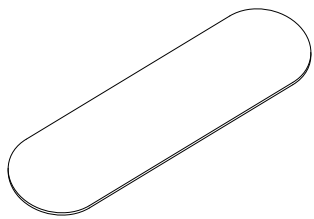


Assembly instructions for step 1/11:

- Tools:** A circular icon contains a screwdriver and an L-shaped hex key. Next to it is a power drill.
- Warning:** A triangle with an exclamation mark.
- Time:** A clock icon with the text "30'" below it.
- Personnel:** A stick figure icon with the number "2" below it.
- Diagram:** A circular icon shows a rectangular block being placed on a surface. To the right, another rectangular block is shown with a diagonal line through it, indicating it should not be placed on the surface.

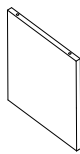


1



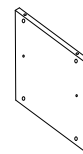
x 1

2



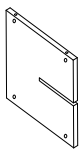
x 1

3



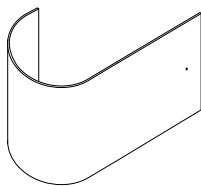
x 1

4



x 1

5



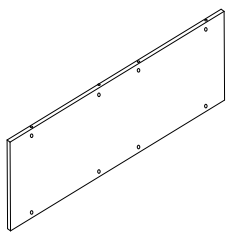
x 2

6



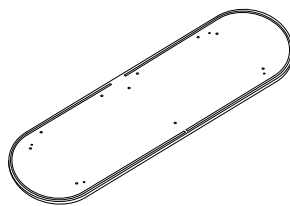
x 4

7



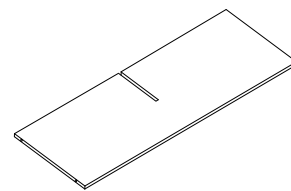
x 1

8



x 1

9



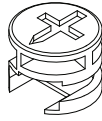
x 1

A



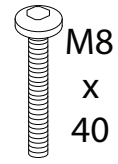
x 20

B



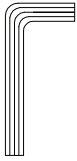
x 20

C



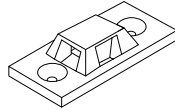
x 4

D



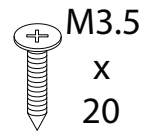
x 1

E



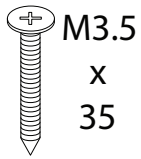
x 2

F



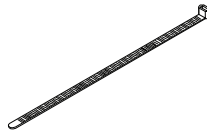
x 2

G



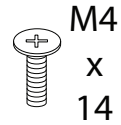
x 2

H



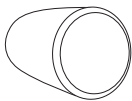
x 1

I



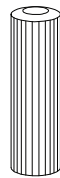
x 2

J



x 2

K



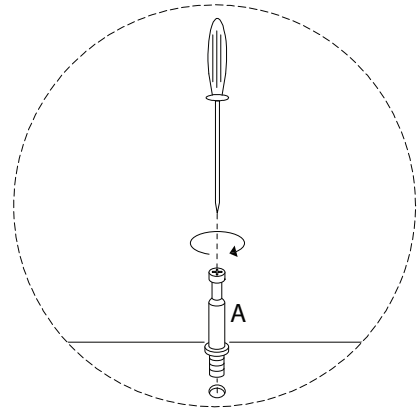
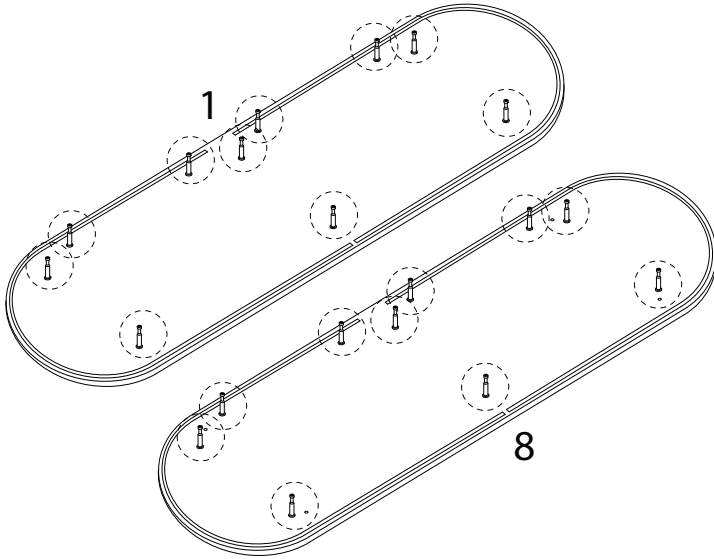
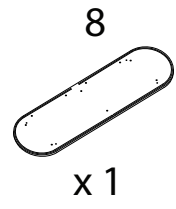
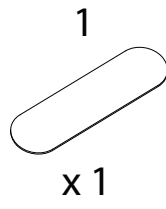
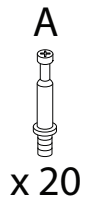
x 4

L

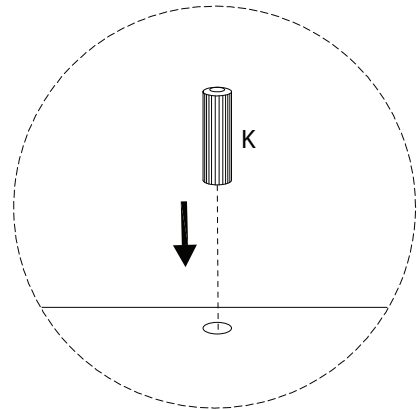
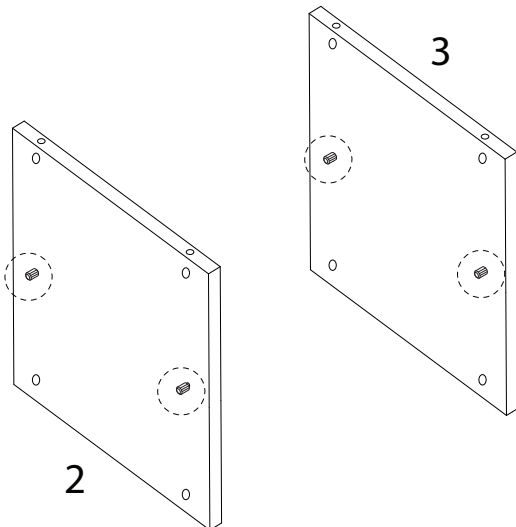
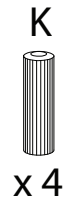


x 2

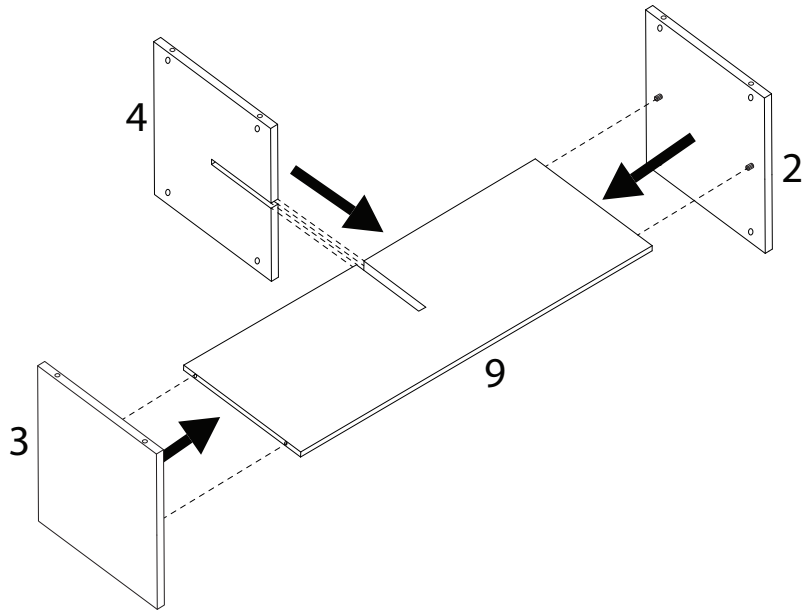
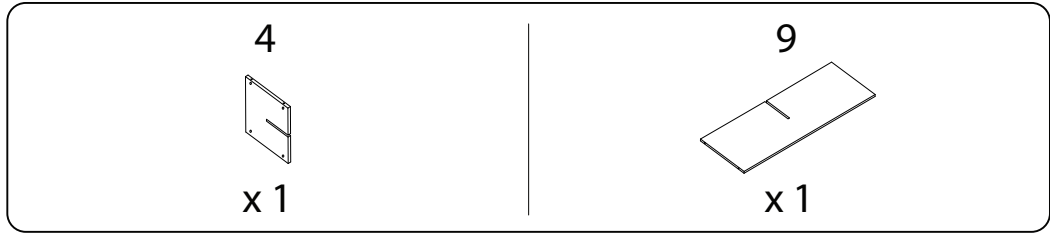
1



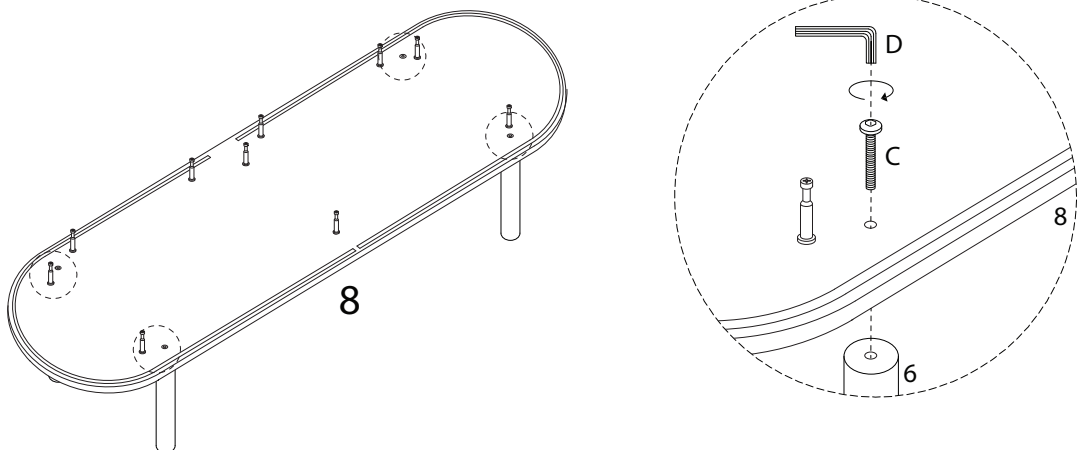
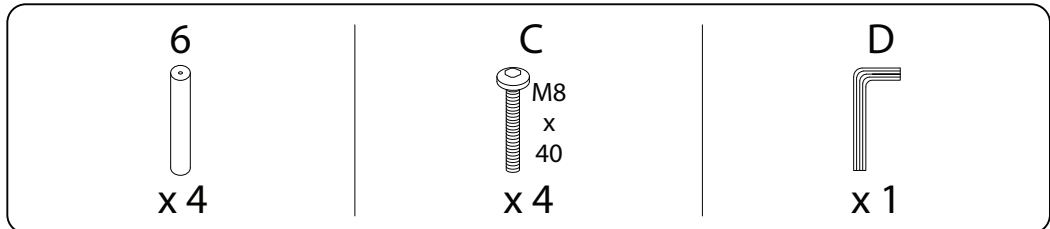
2



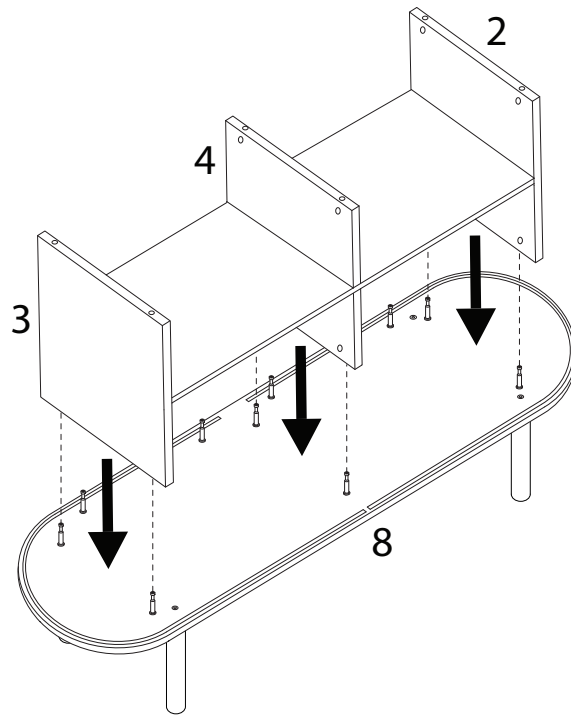
3



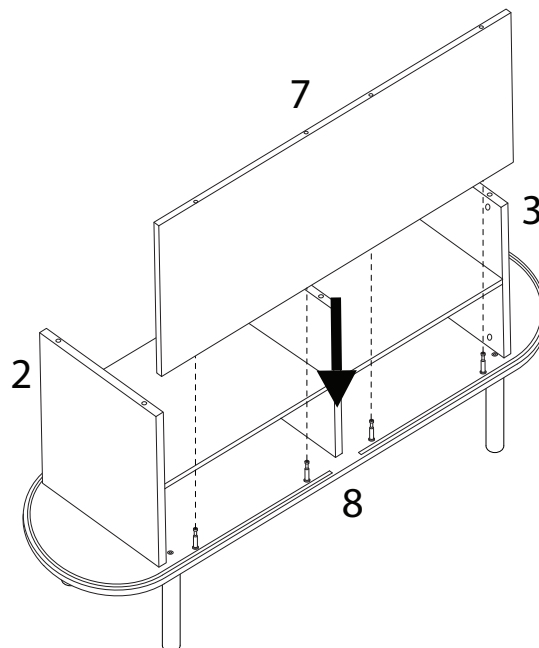
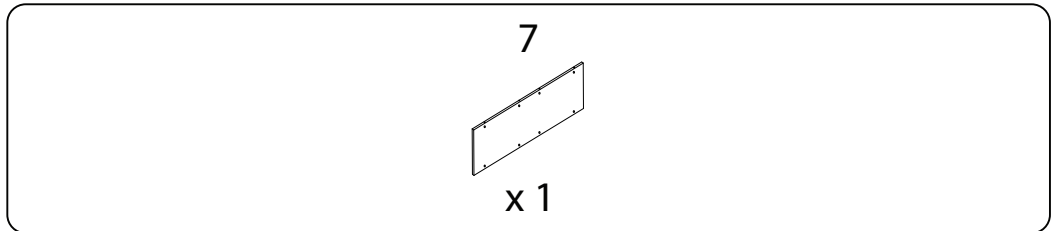
4



5



6



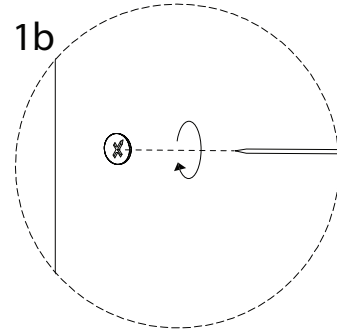
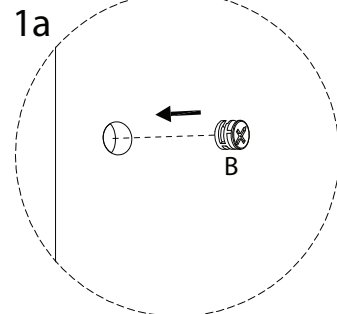
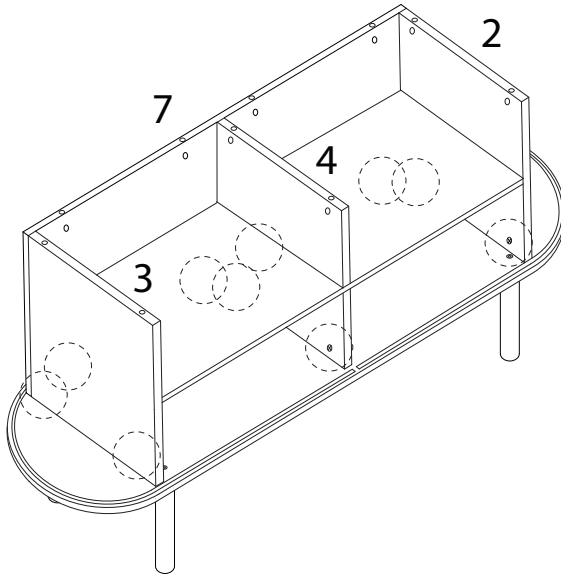


7

B

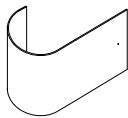


x 10



8

5



x 2

I

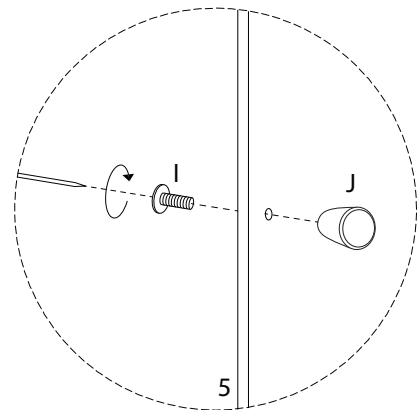
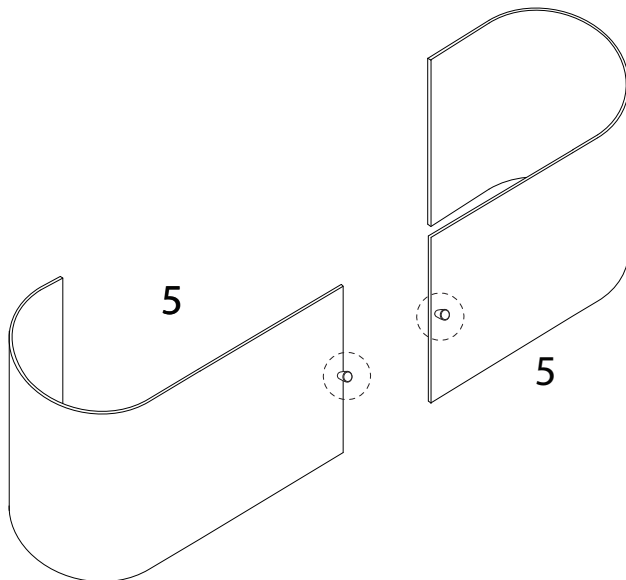


x 2

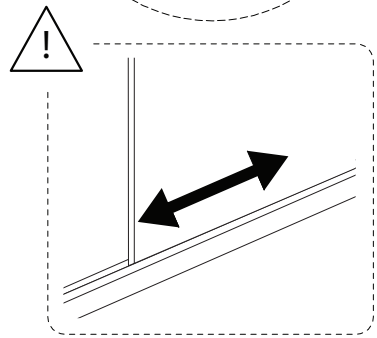
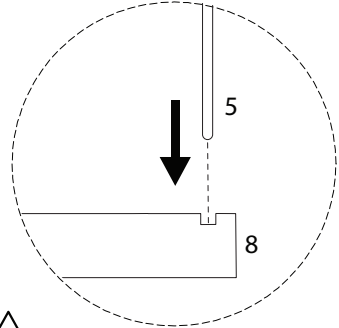
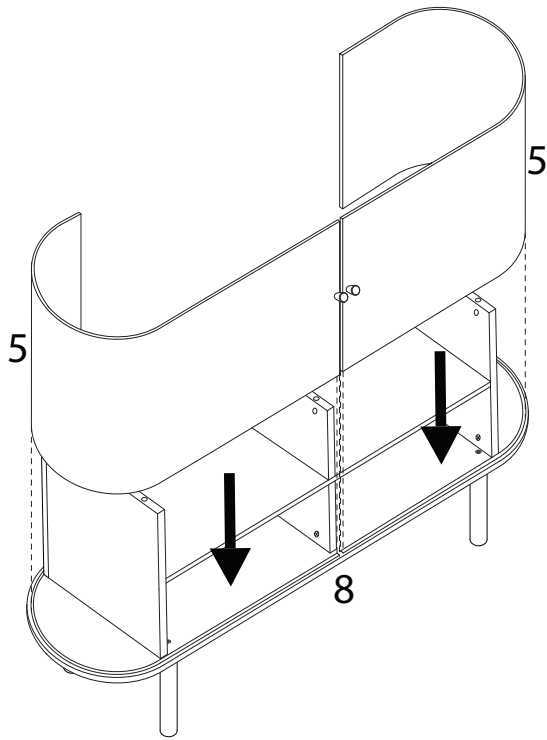
J



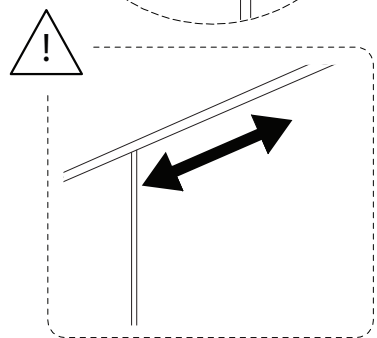
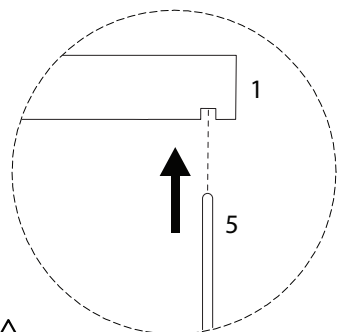
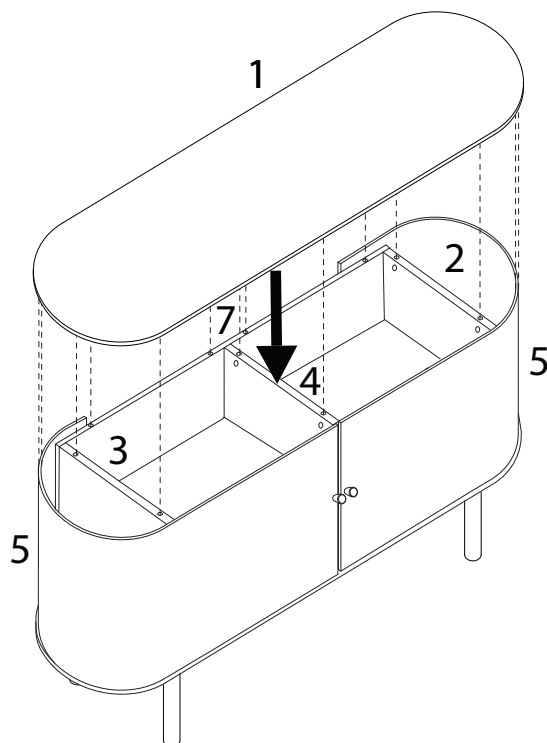
x 2



9



10

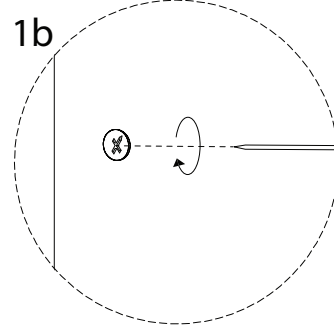
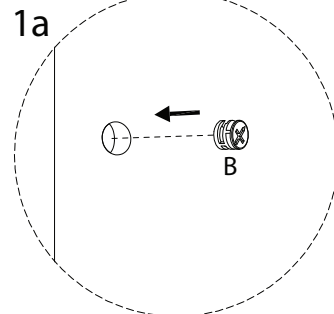
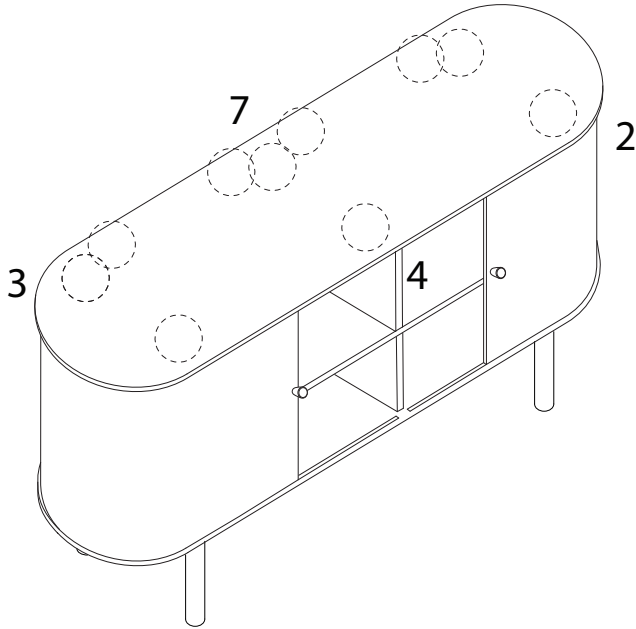


11

B

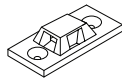


x 10



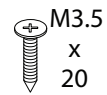
12

E

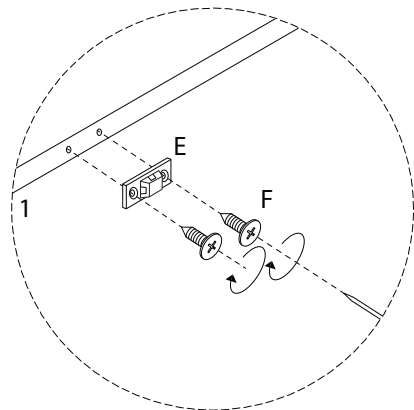
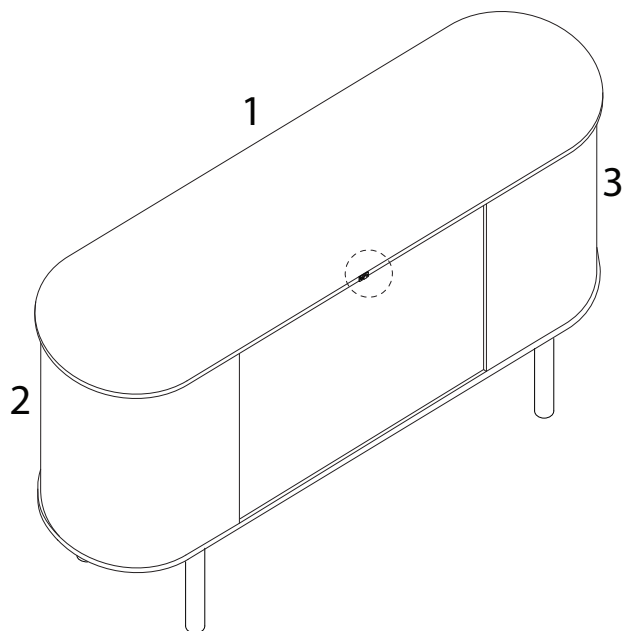


x 1

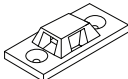
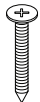


F



x 2



13

<p>E</p>  <p>x 1</p>	<p>G</p>  <p>M3.5 x 35</p> <p>x 2</p>	<p>H</p>  <p>x 1</p>	<p>L</p>  <p>x 2</p>
---	--	--	---

