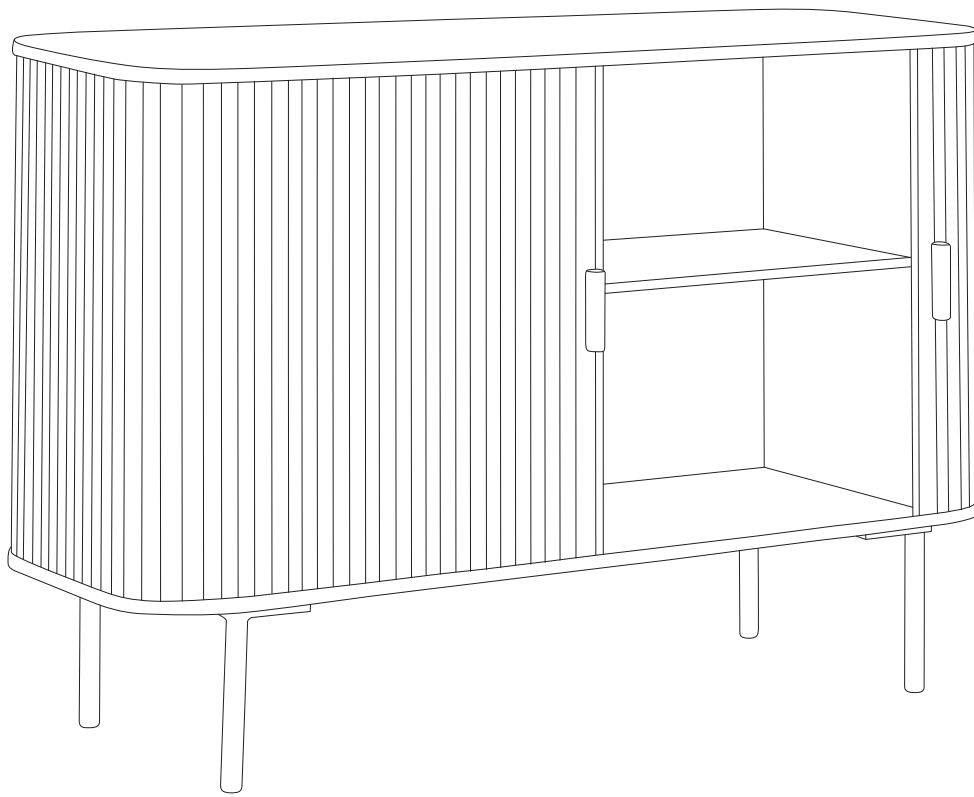
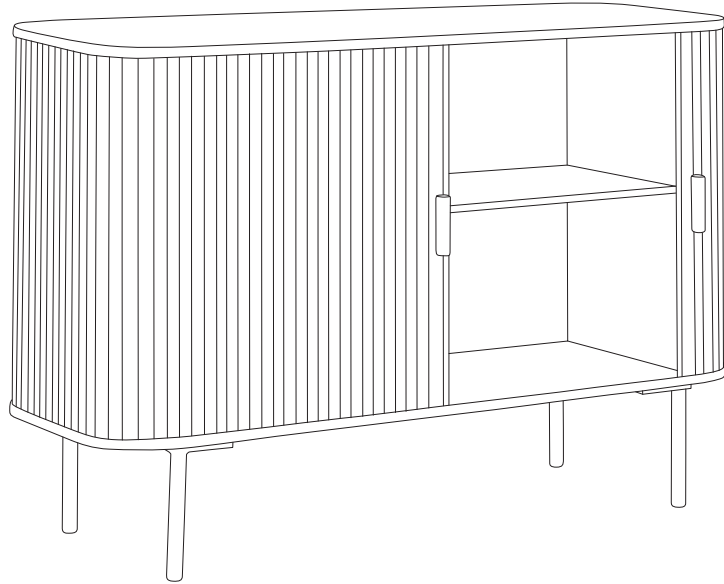


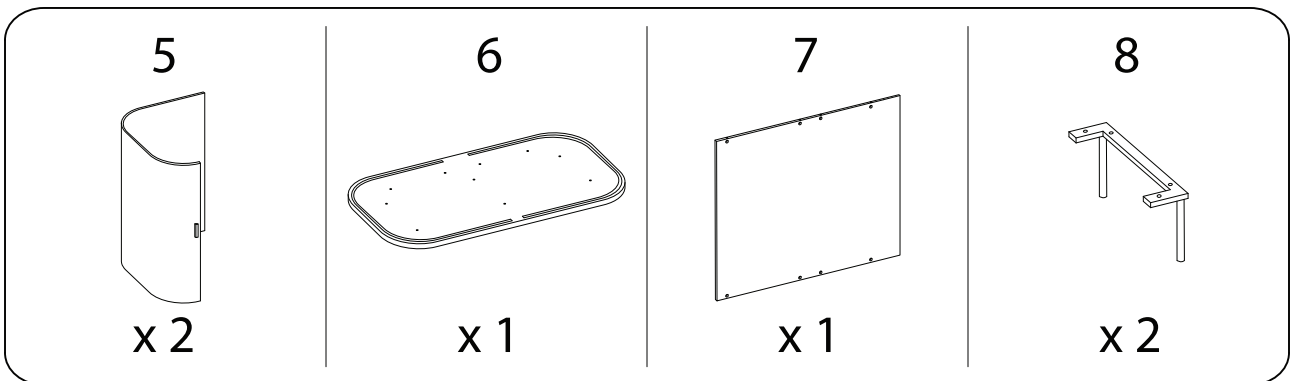
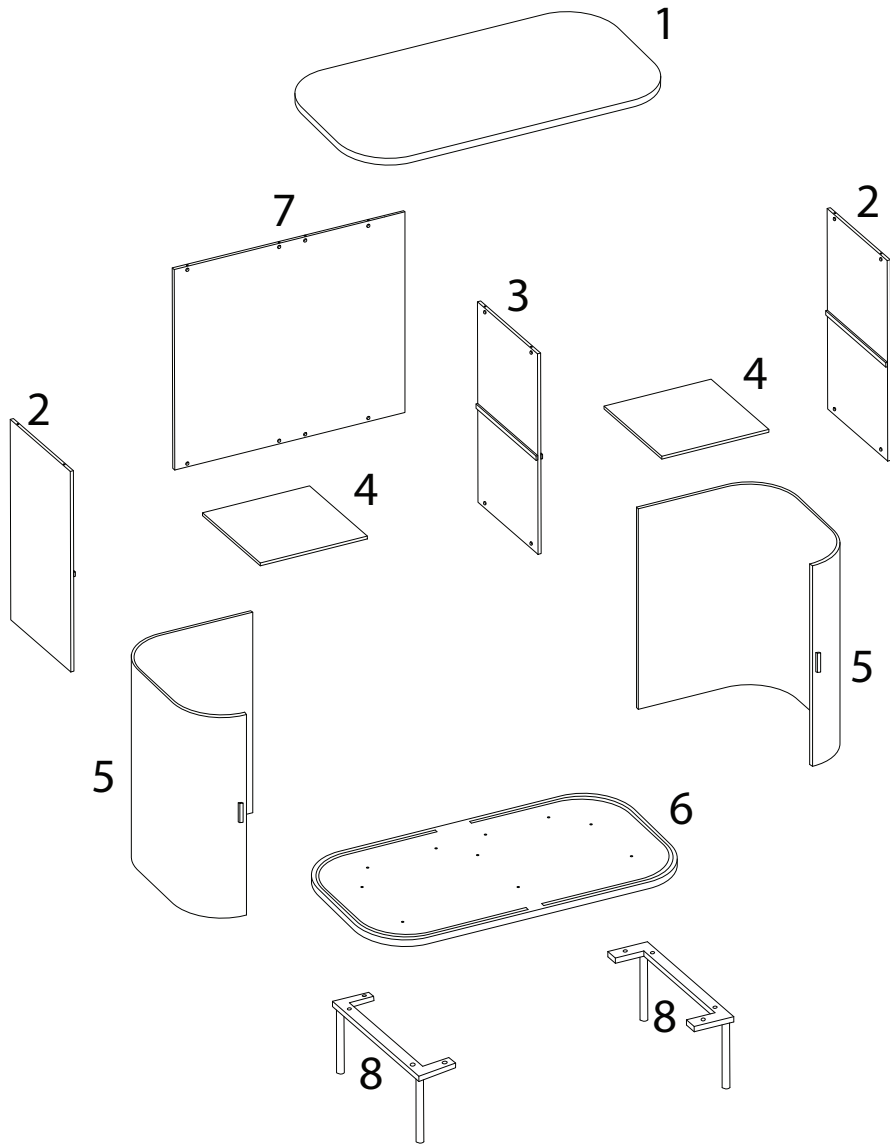
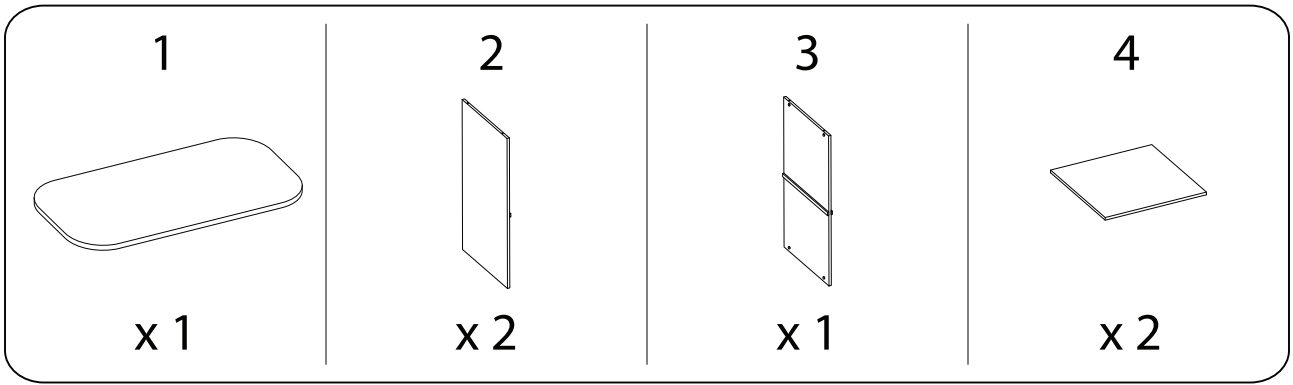
LINDON





Assembly instructions for step 1/8:

- Tools:** A circle containing a screwdriver and an L-shaped hex key. A power drill is shown with a diagonal line through it, indicating it is not to be used.
- Warning:** A triangle with an exclamation mark.
- Time:** A clock icon with the text "30'" below it, indicating a 30-minute assembly time.
- Personnel:** A person icon with the number "2" below it, indicating that two people are required for assembly.
- Diagram:** A circle showing a rectangular block being placed on a textured surface. A second diagram shows the block being secured with a screw from underneath, with a diagonal line through the screw indicating it should not be over-tightened.

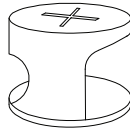


A



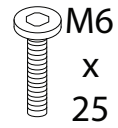
x 20

B



x 20

C



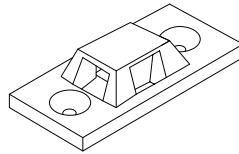
x 8

D



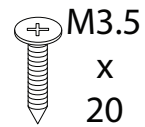
x 1

E



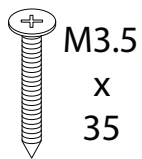
x 2

F



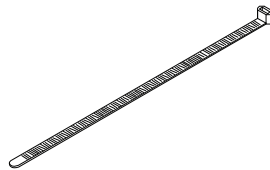
x 2

G



x 2

H



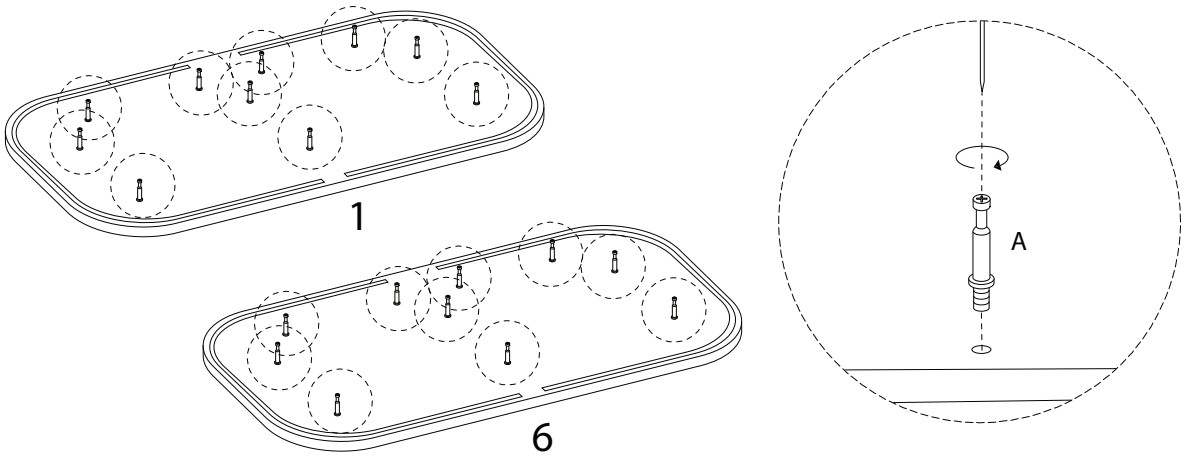
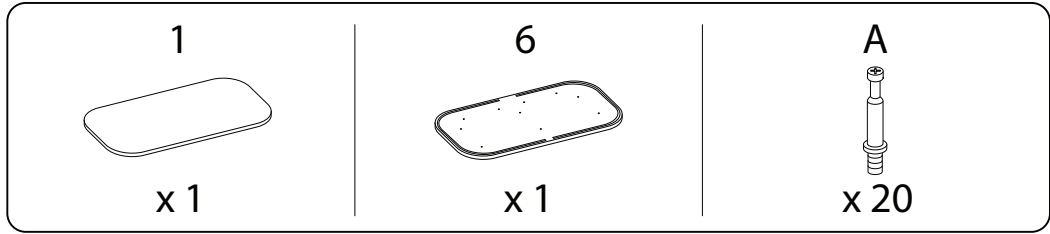
x 1

I

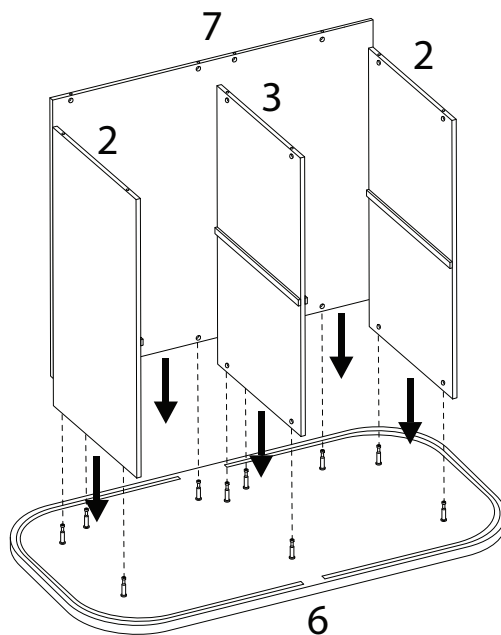
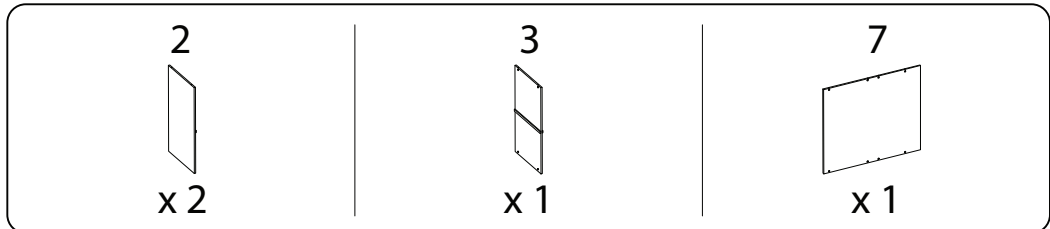


x 2

1



2

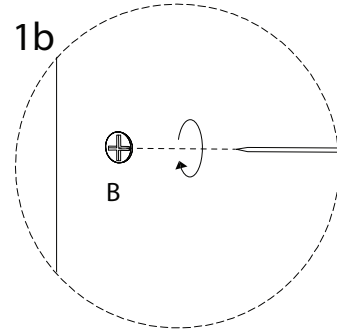
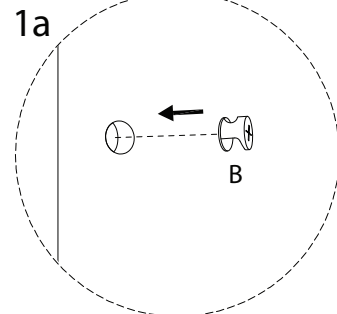
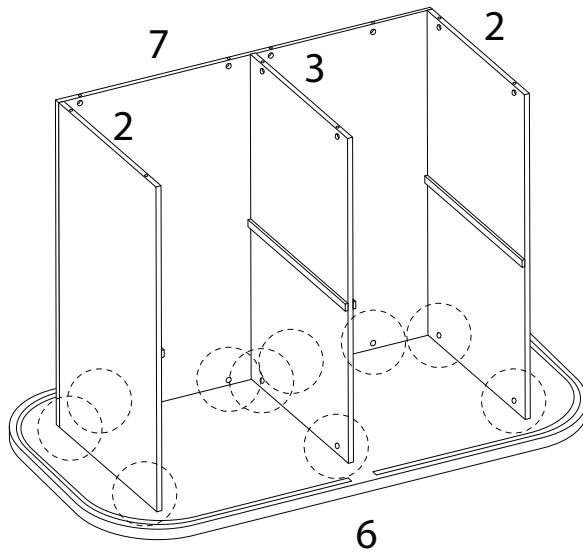


3

B



x 10

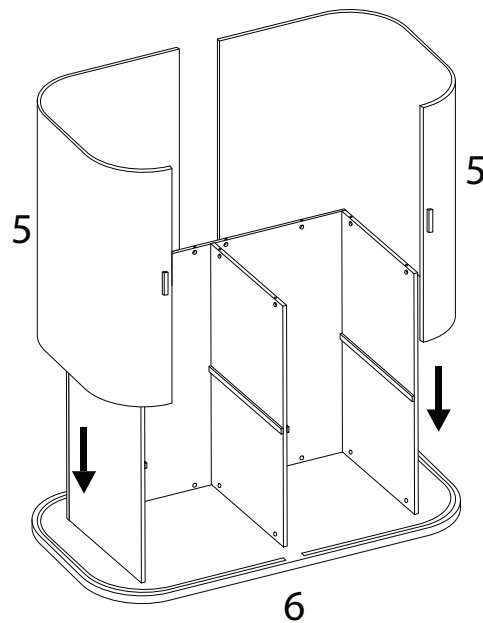


4

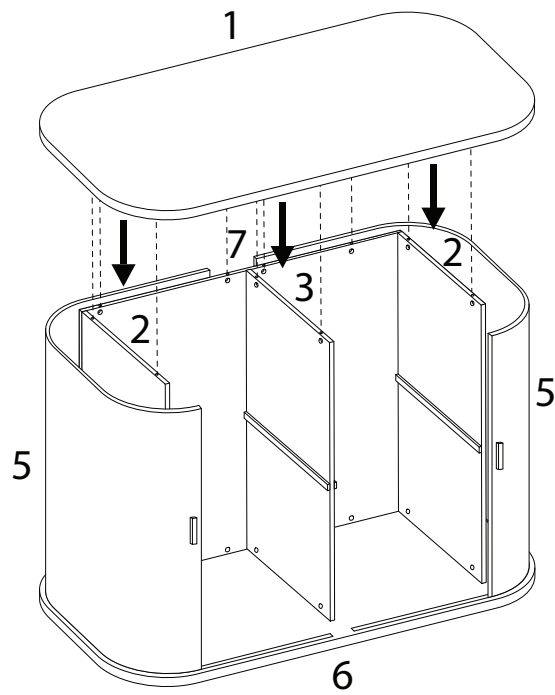
5



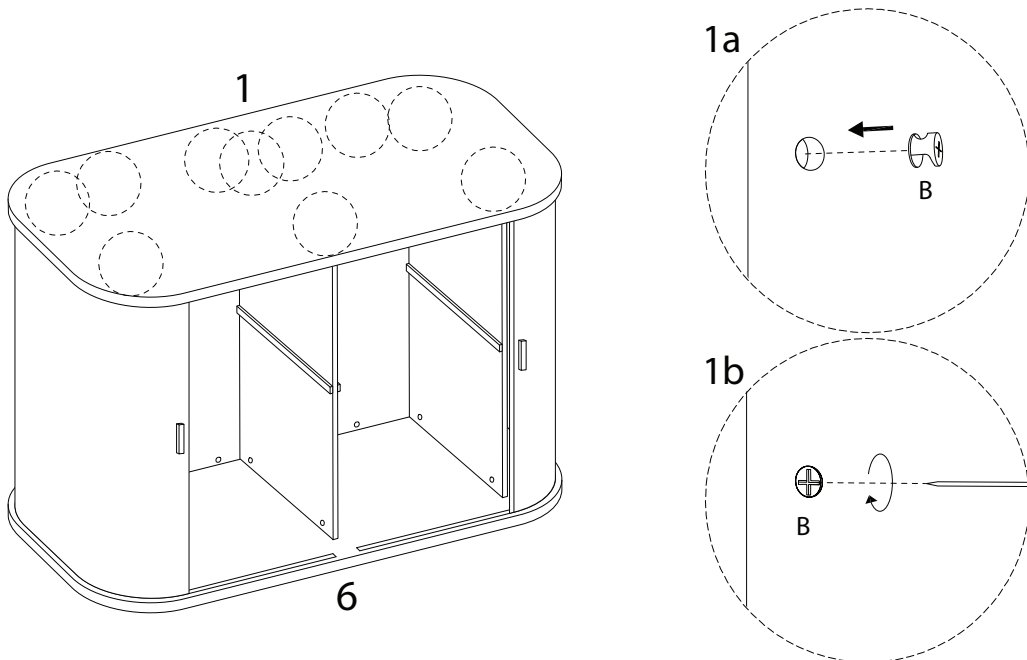
x 2



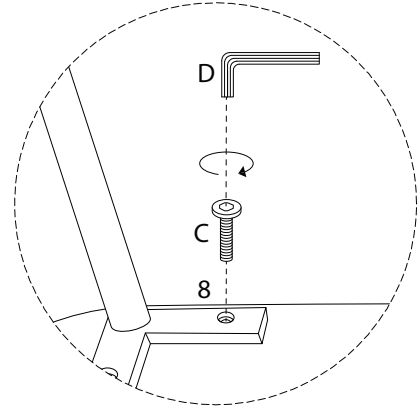
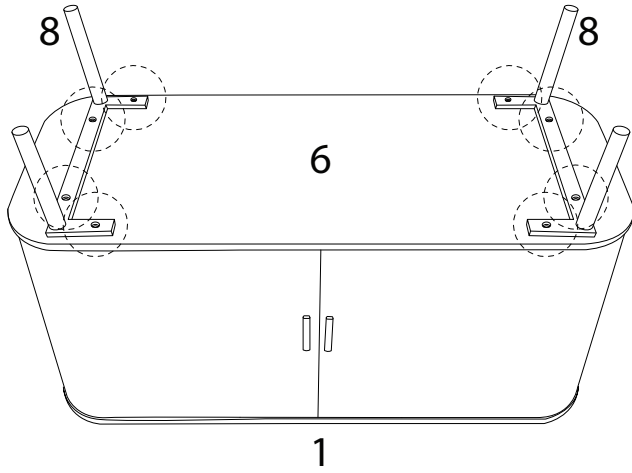
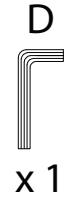
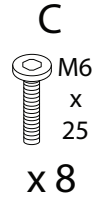
5



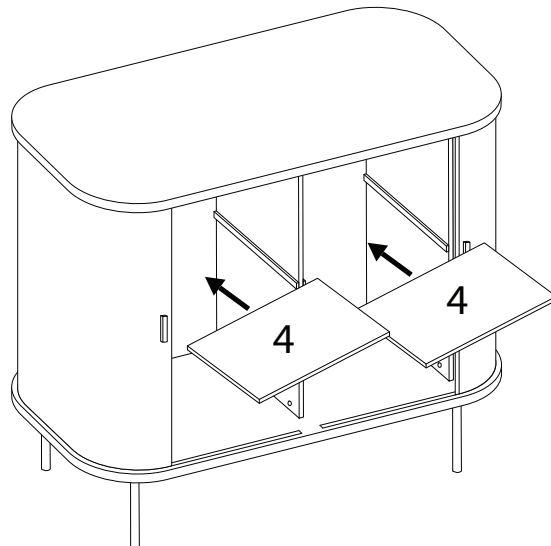
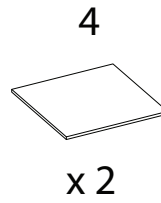
6



7

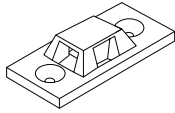


8



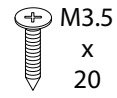
9

E



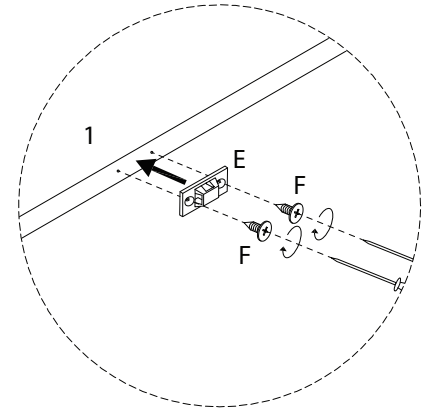
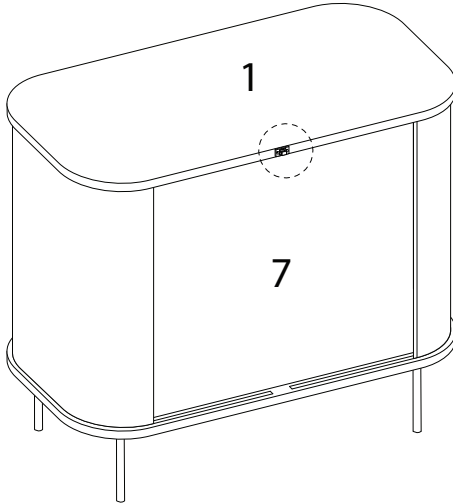
x 1

F



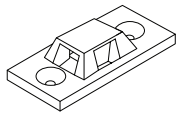
M3.5
x
20

x 2



10

E



x 1

G



M3.5
x
35

x 2

H

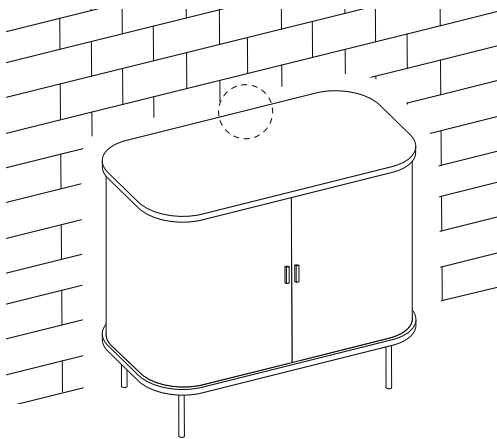


x 1

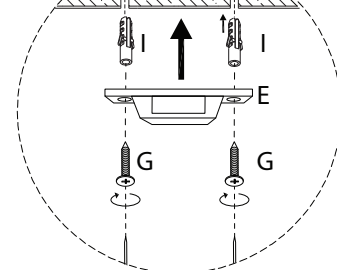
I



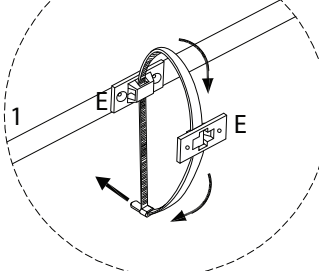
x 2



1a



1c



1b

