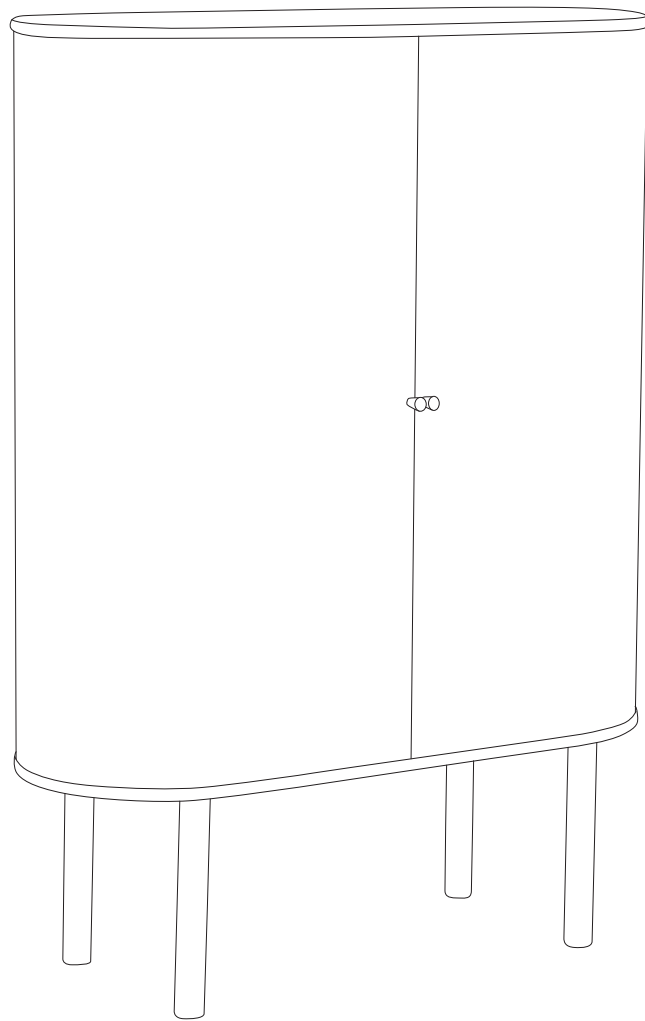
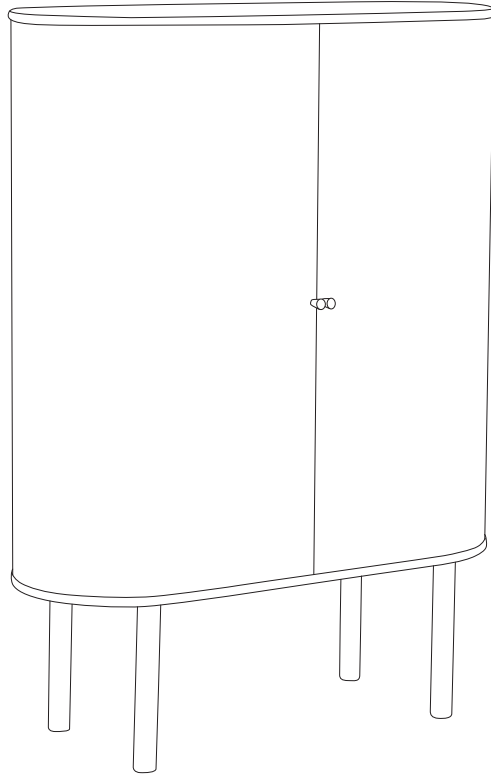
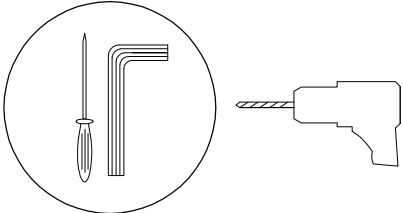

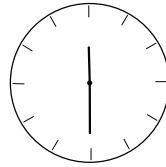
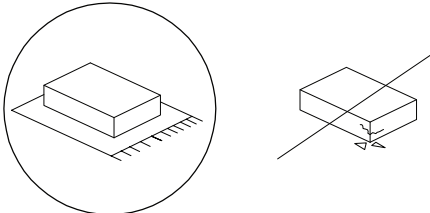

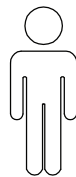
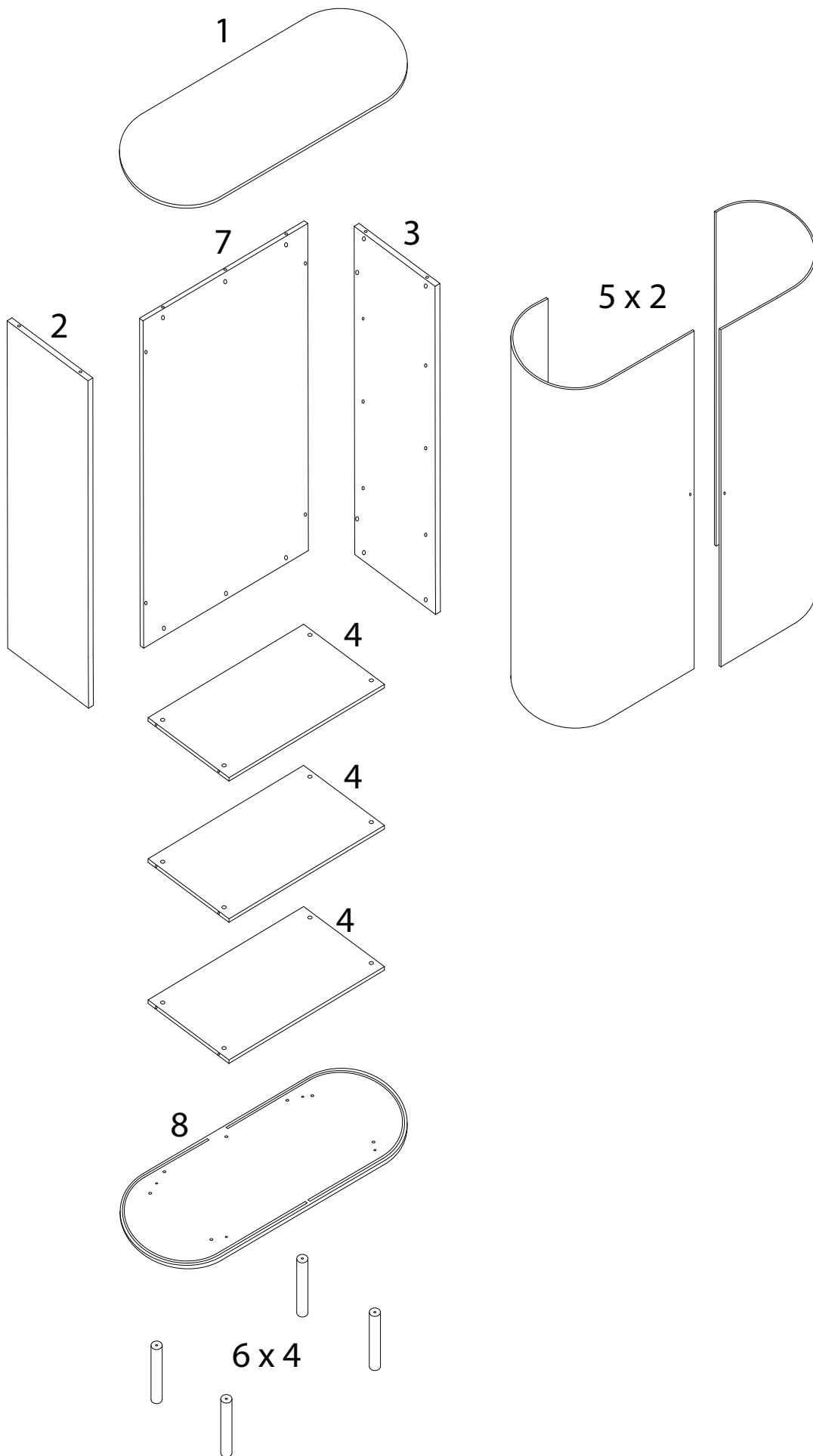


MANARA

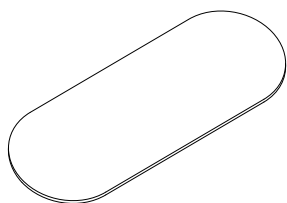




		
		30'
		
		2



1



x 1

2



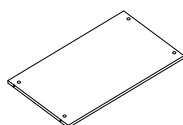
x 1

3



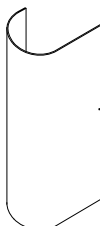
x 1

4



x 3

5



x 2

6



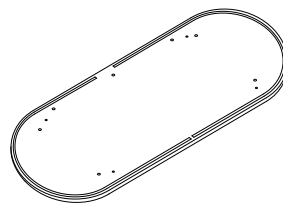
x 4

7



x 1

8



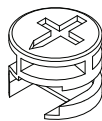
x 1

A



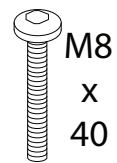
x 30

B



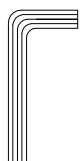
x 30

C



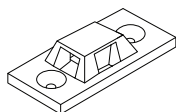
x 4

D



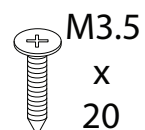
x 1

E



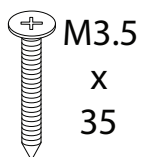
x 2

F



x 2

G



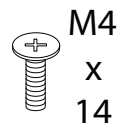
x 2

H



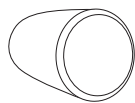
x 1

I



x 2

J



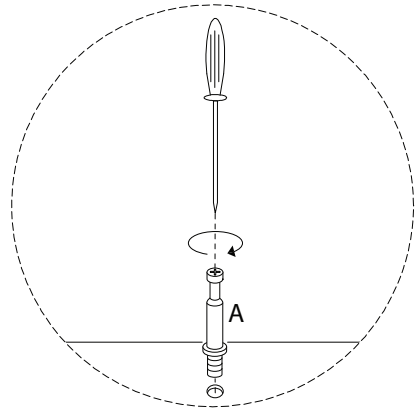
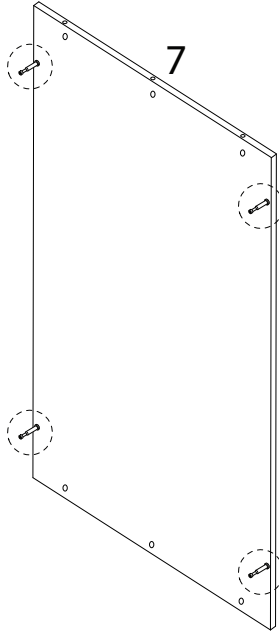
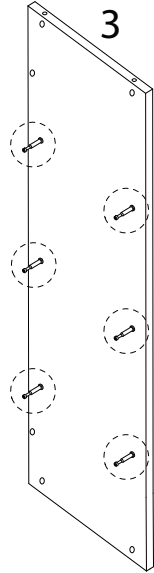
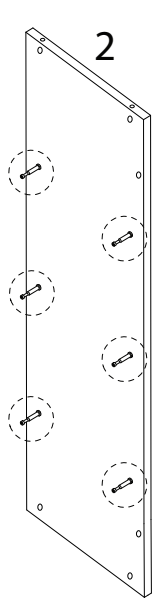
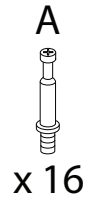
x 2

K

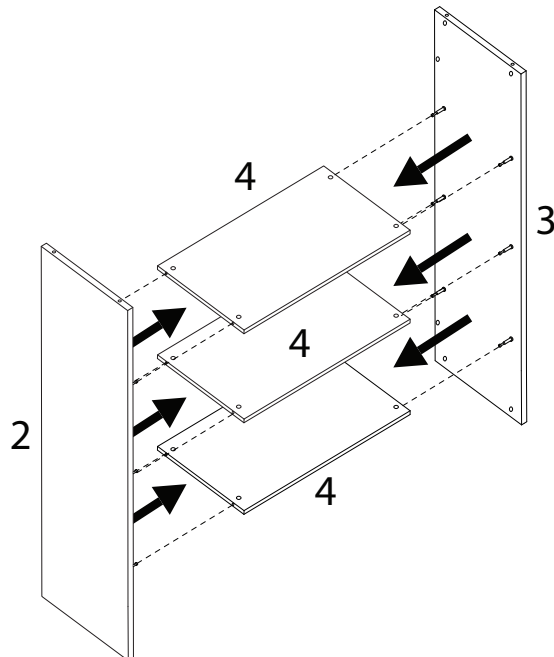
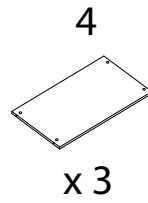


x 2

1



2

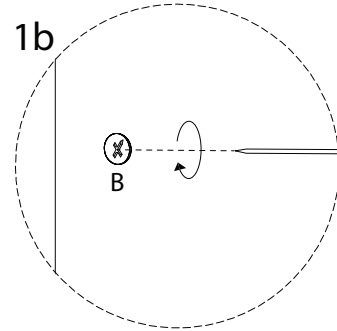
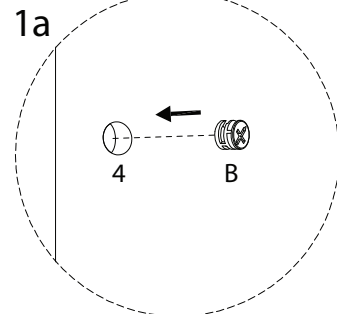
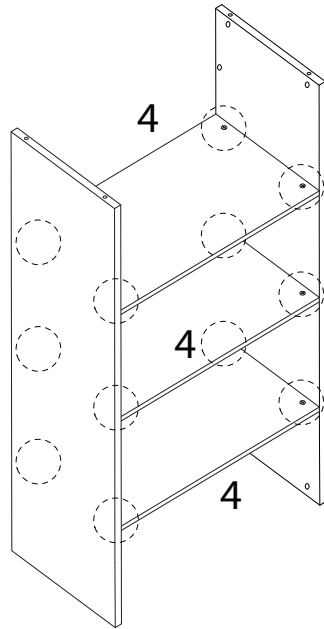


3

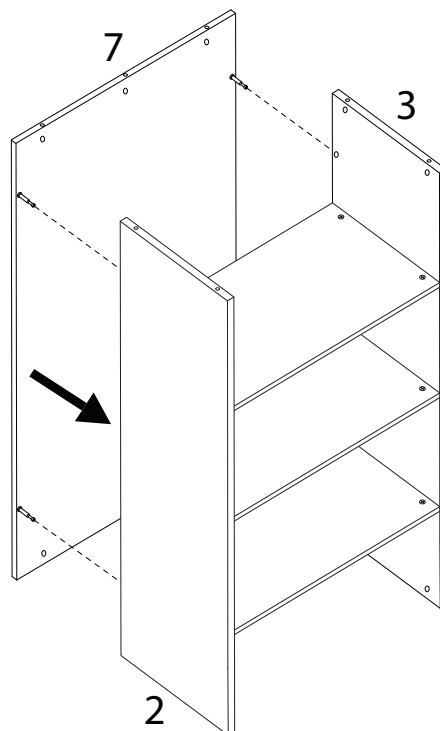
B



x 12



4

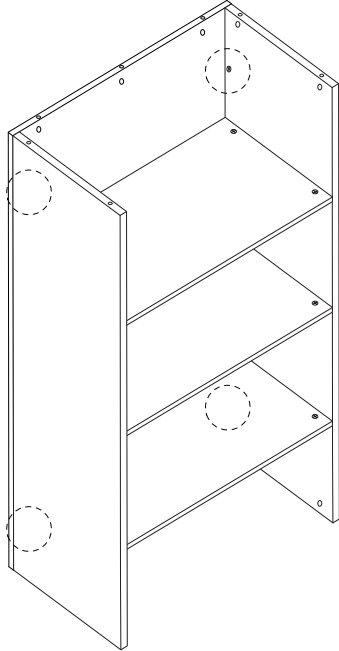


5

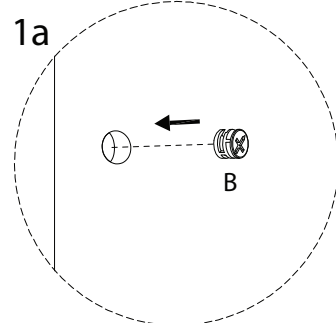
B



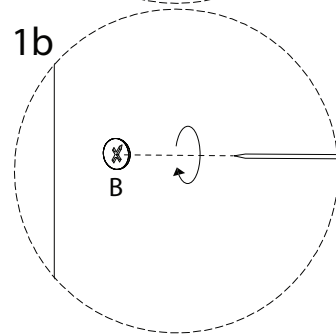
x 4



1a

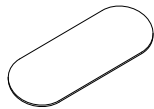


1b



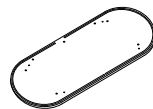
6

1



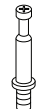
x 1

8

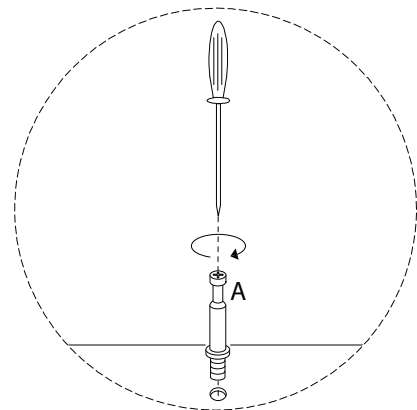
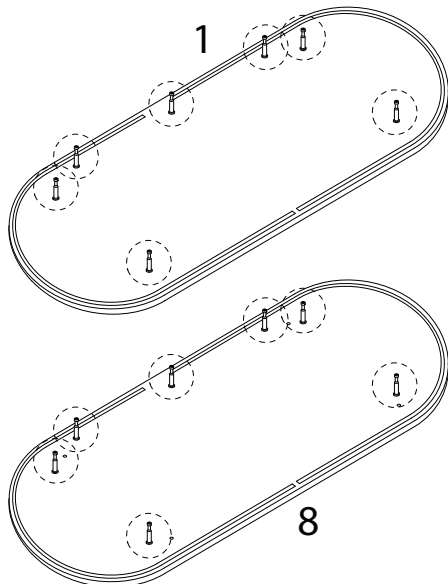


x 1

A



x 14



7

5



x 2

I



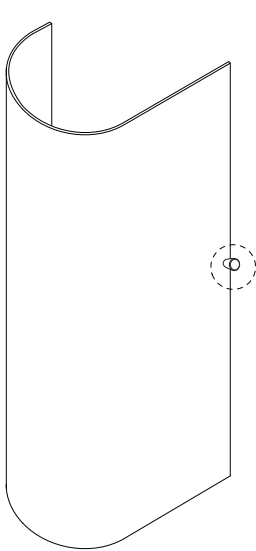
x 2

J

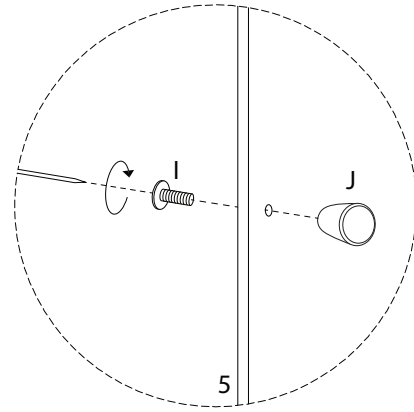
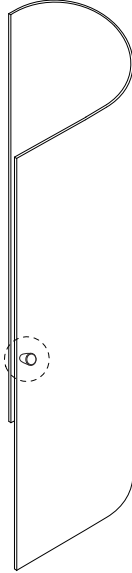


x 2

5



5



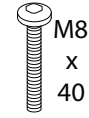
8

6



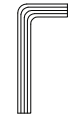
x 4

C

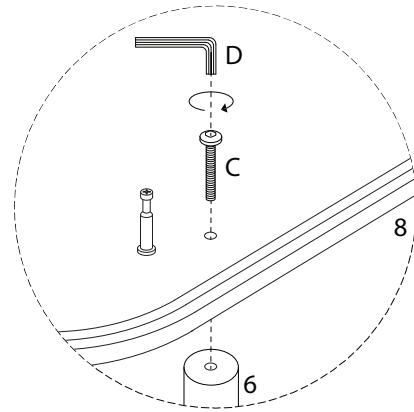
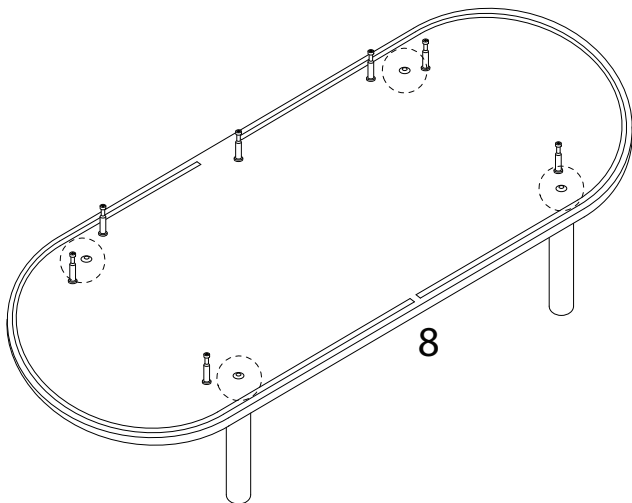


x 4

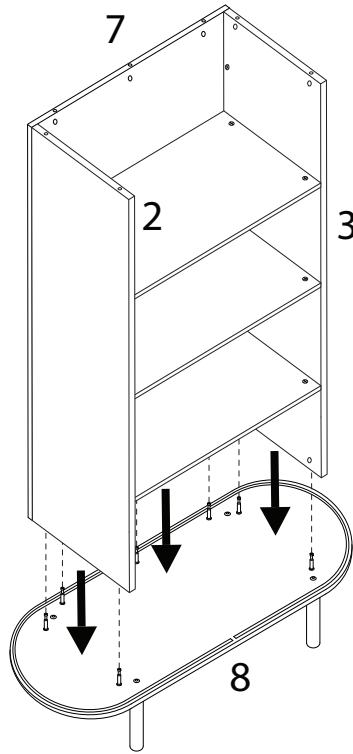
D



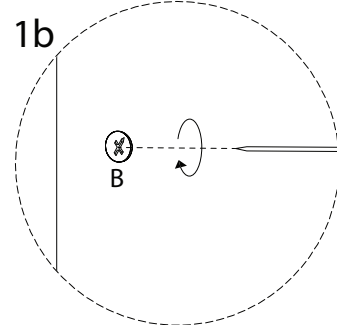
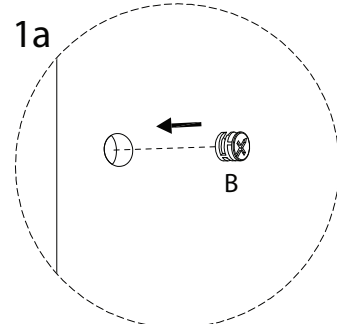
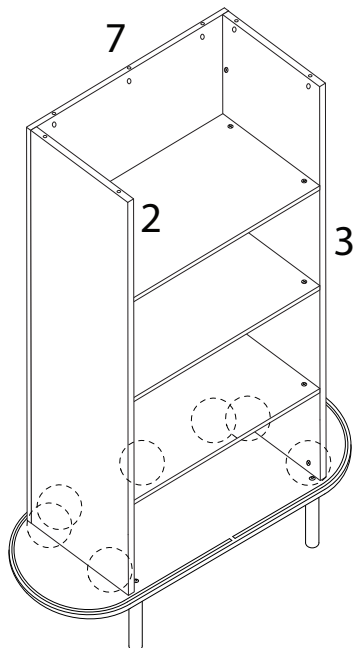
x 1



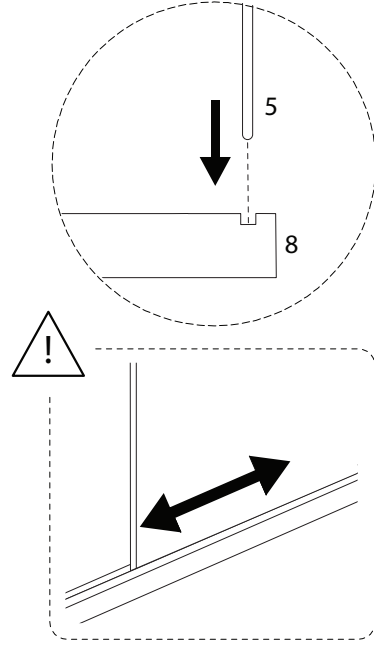
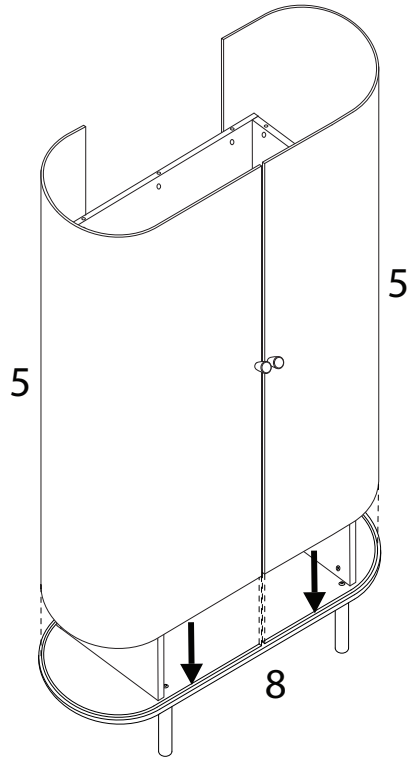
9



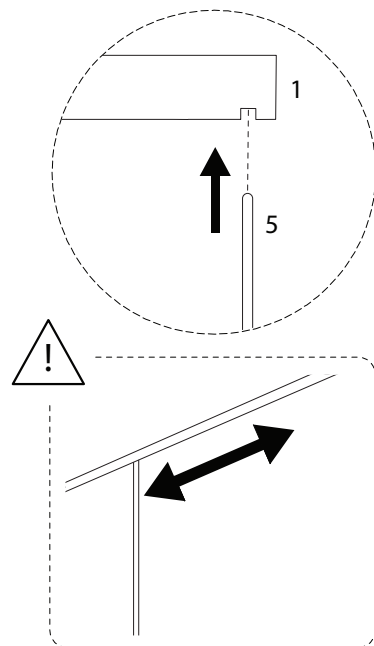
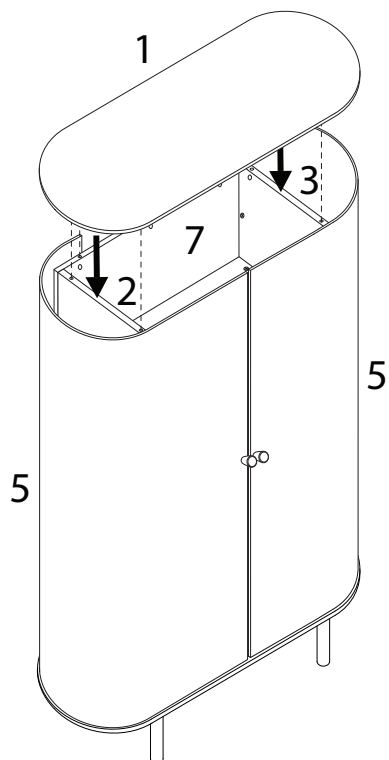
10



11



12

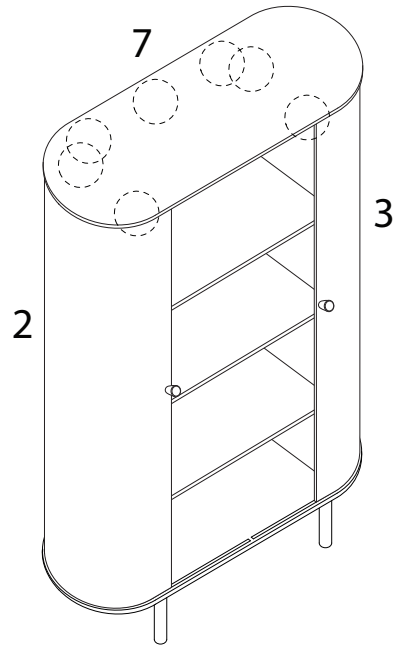


13

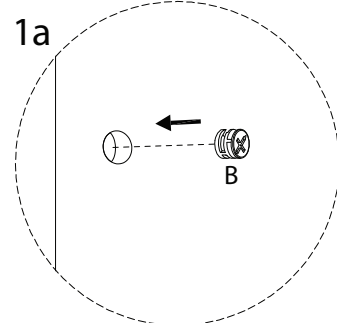
B



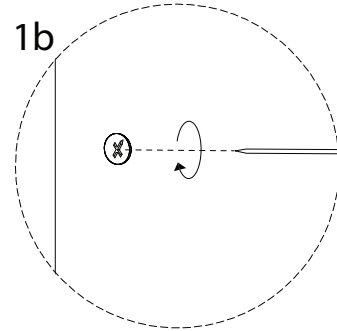
x 7



1a

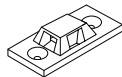


1b



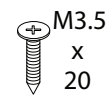
14

E

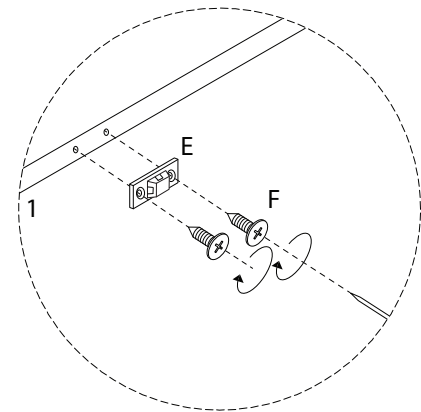
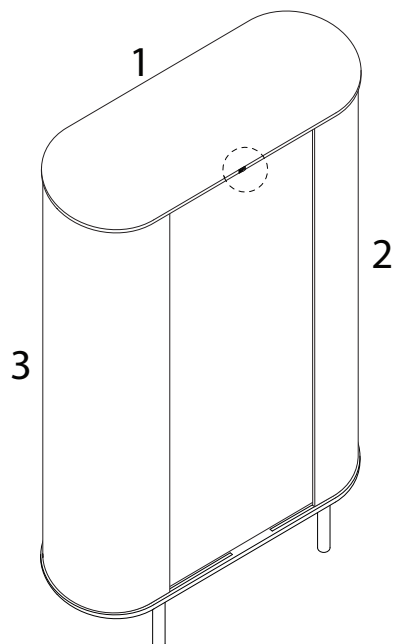


x 1

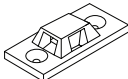
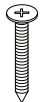


F



x 2



15

<p>E</p>  <p>x 1</p>	<p>G</p>  <p>M3.5 x 35</p> <p>x 2</p>	<p>H</p>  <p>x 1</p>	<p>K</p>  <p>x 2</p>
---	--	--	---

