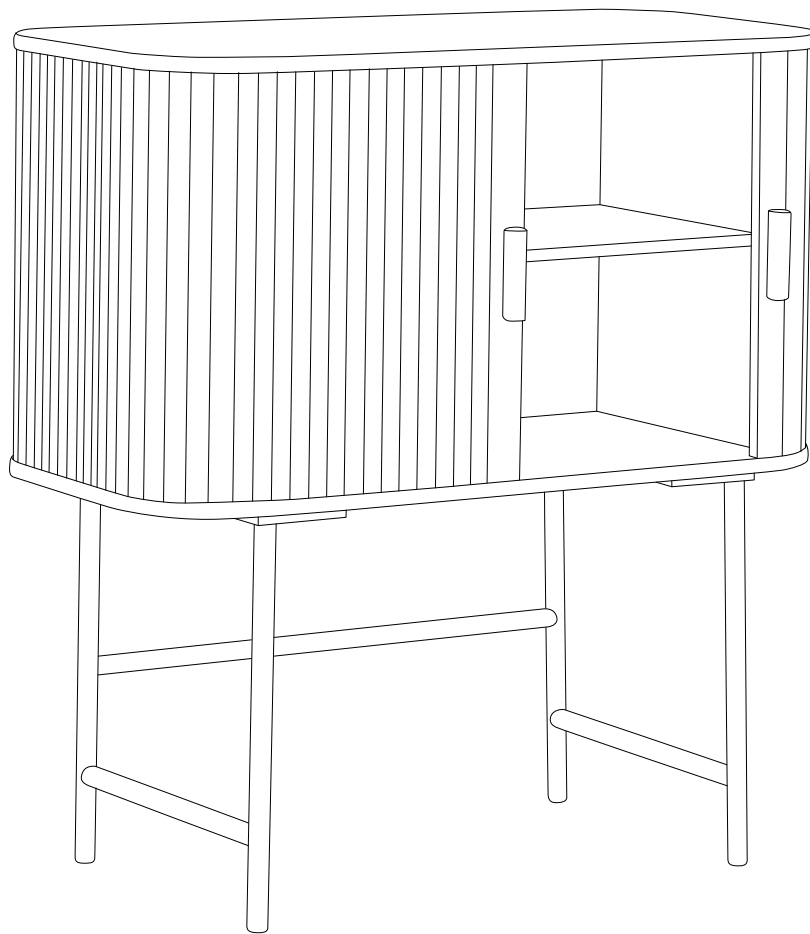
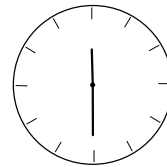
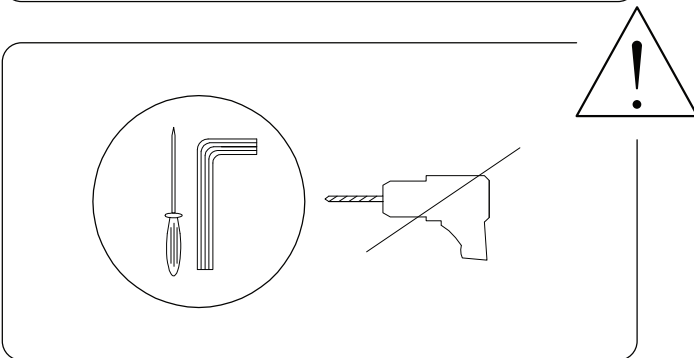
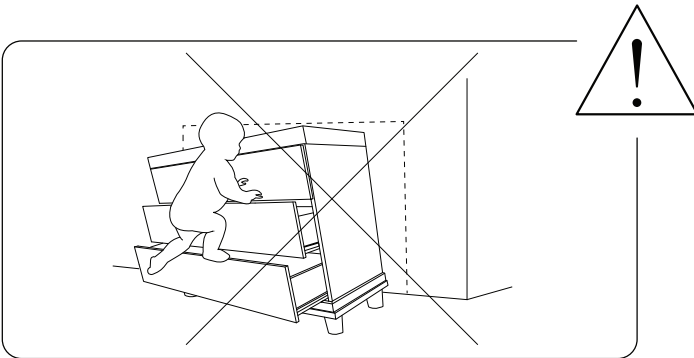
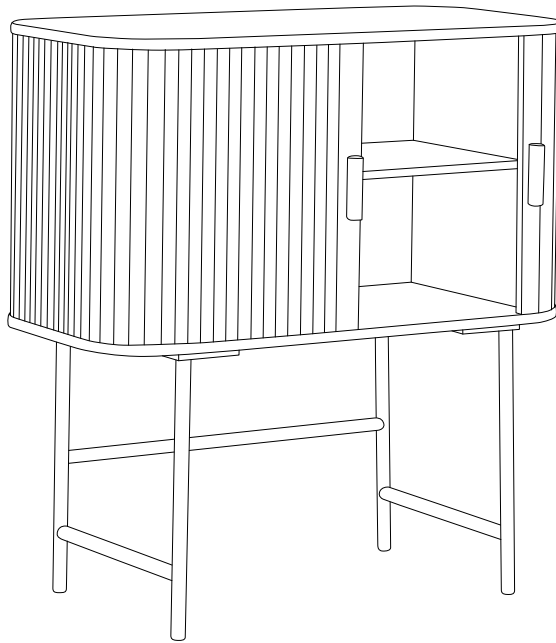
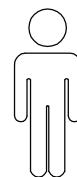
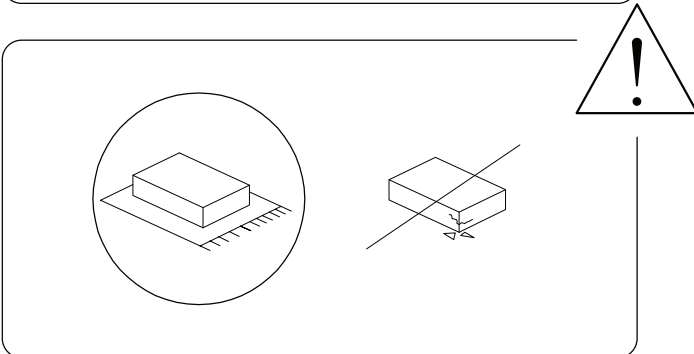


# CARNEY

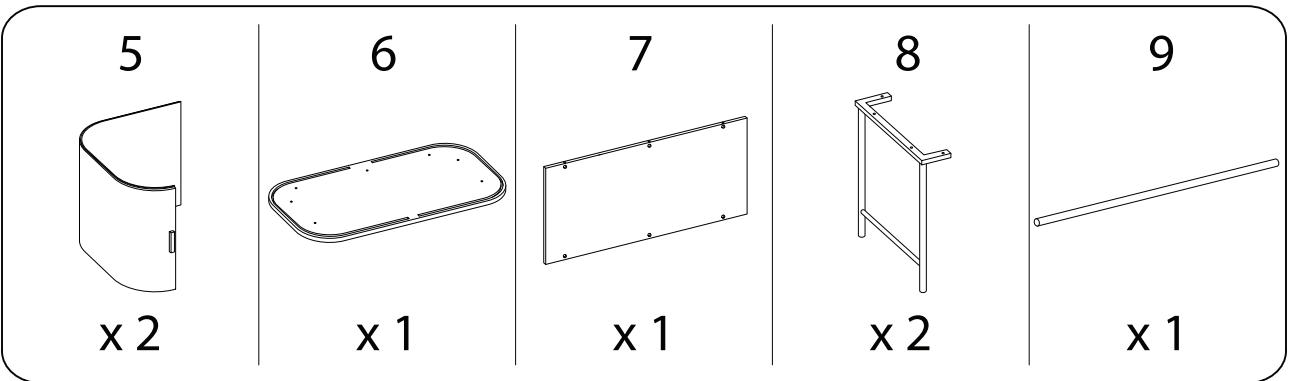
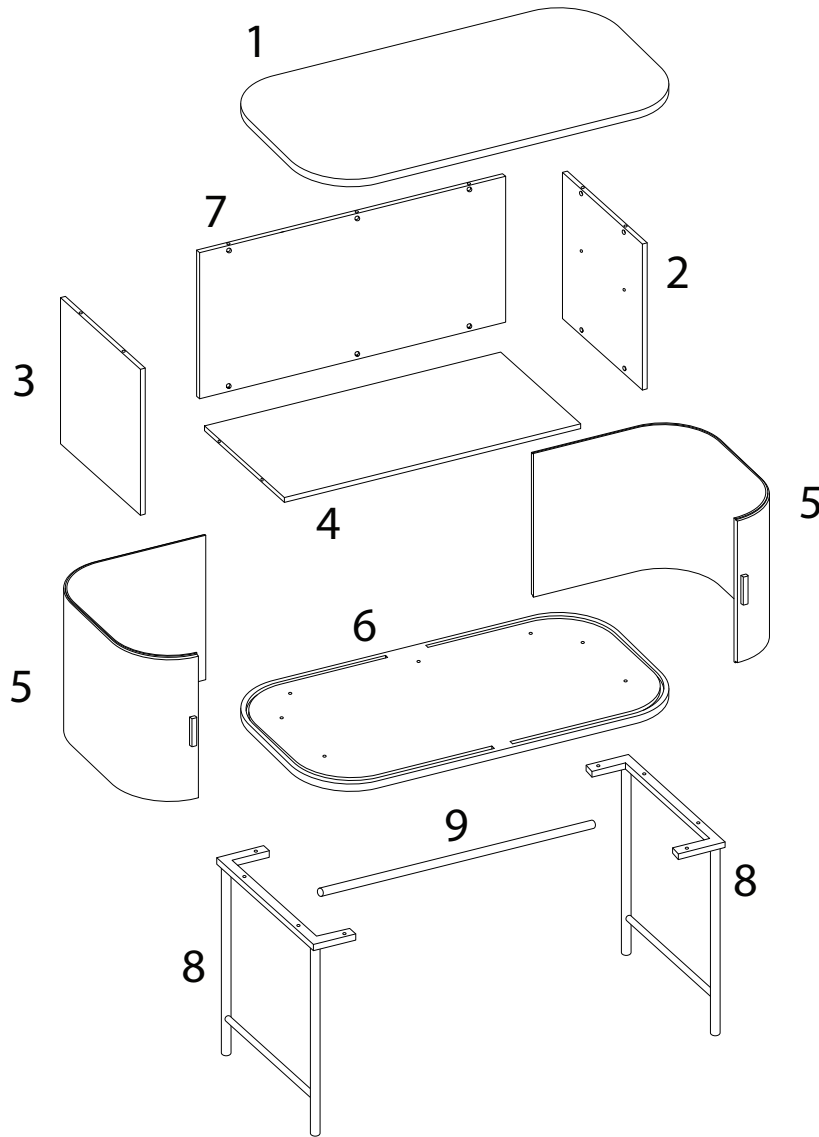
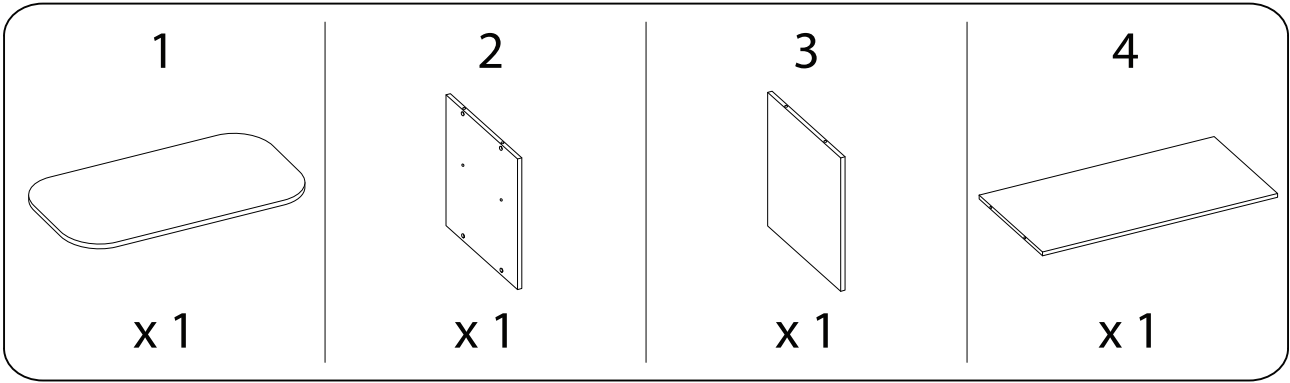




30'



2

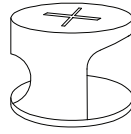


A



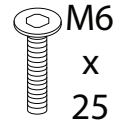
x 14

B



x 14

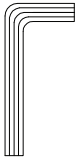
C



M6  
x  
25

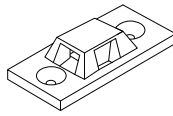
x 8

D



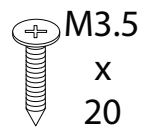
x 1

E



x 2

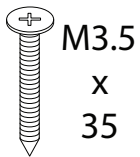
F



M3.5  
x  
20

x 2

G



M3.5  
x  
35

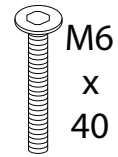
x 2

H



x 1

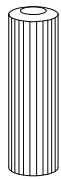
I



M6  
x  
40

x 2

J



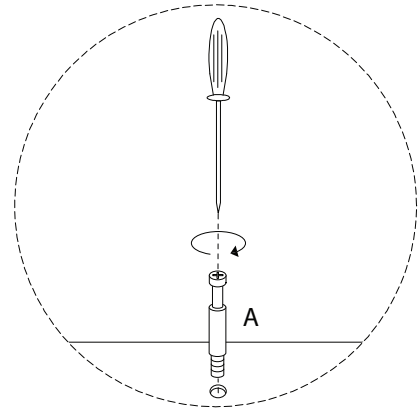
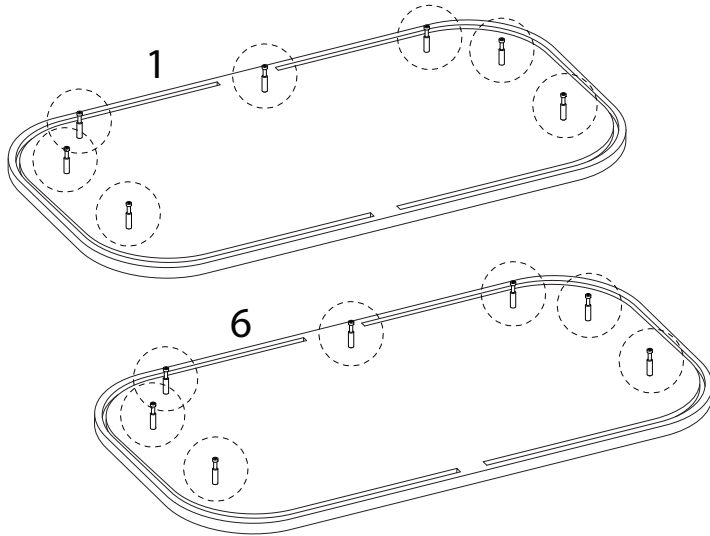
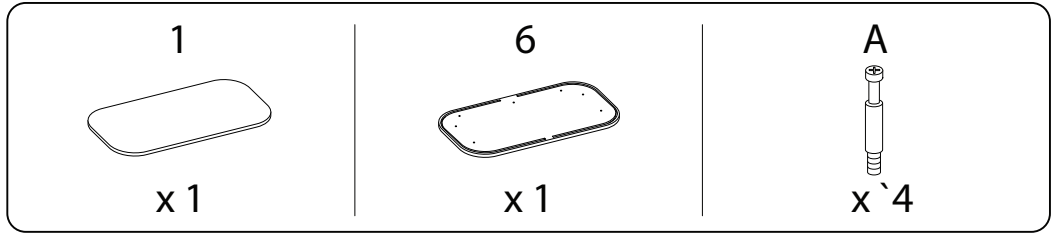
x 4

K

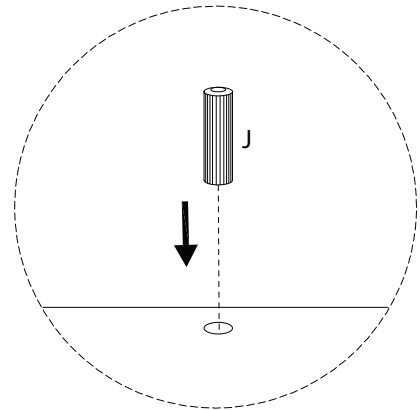
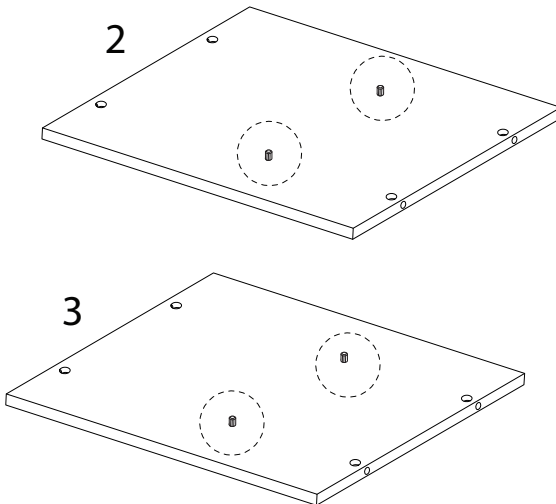
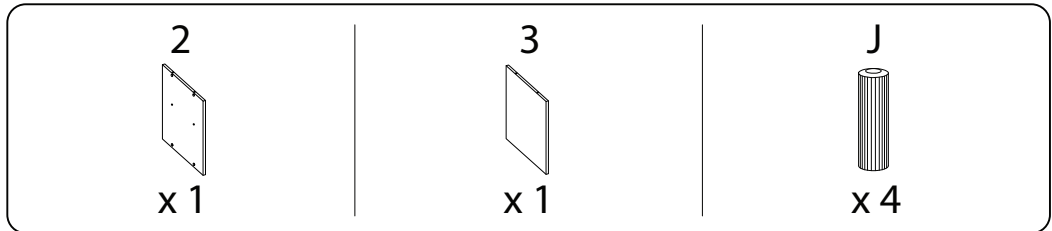


x 2

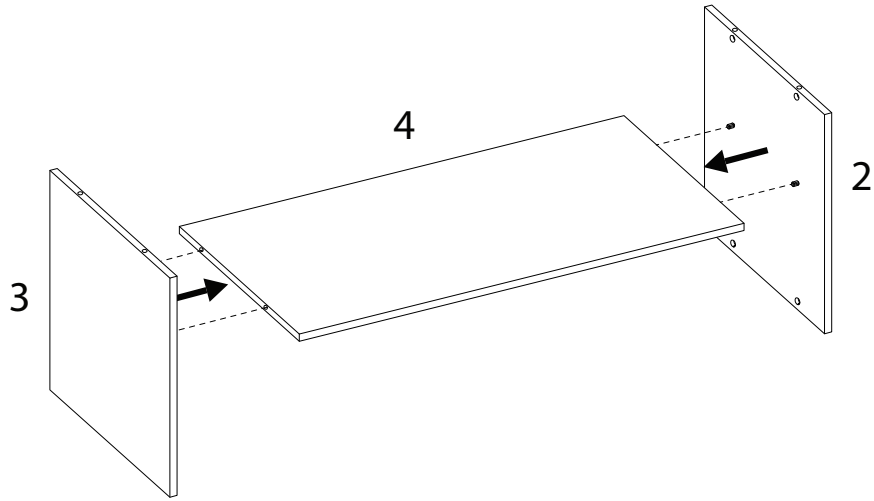
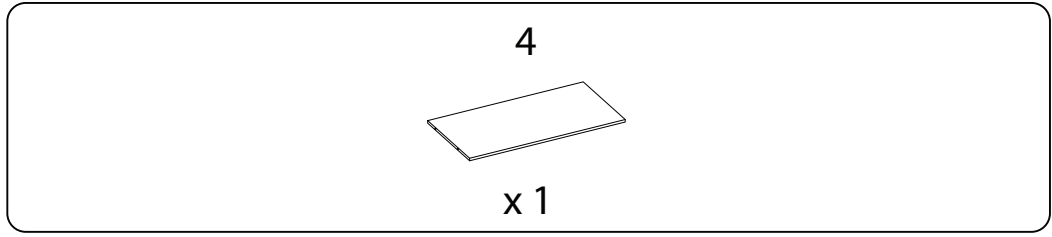
1



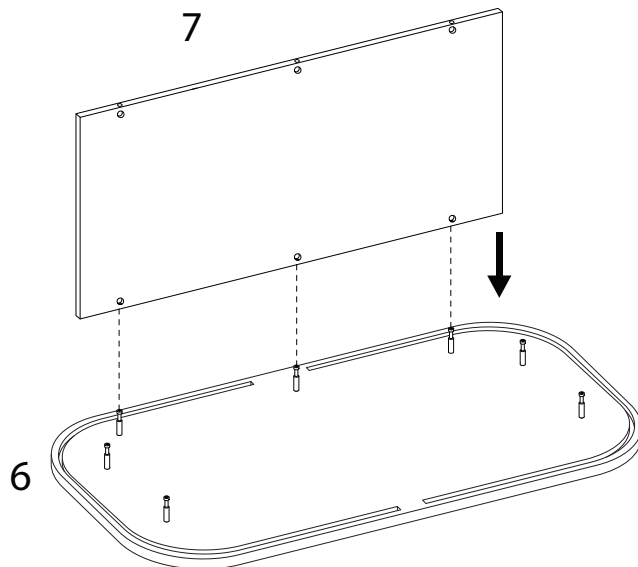
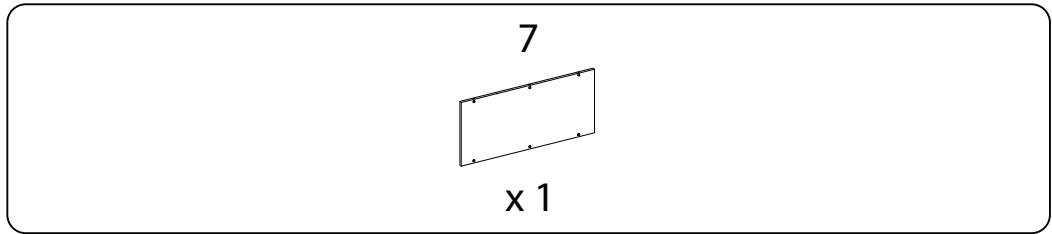
2



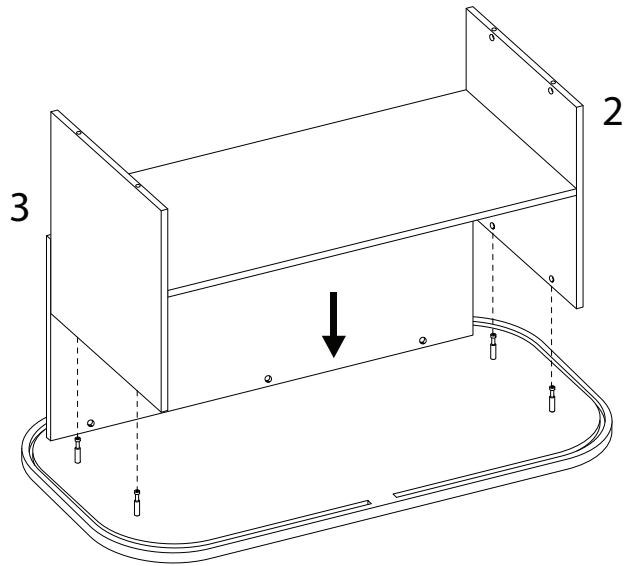
3



4



5

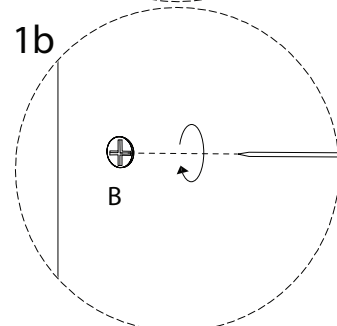
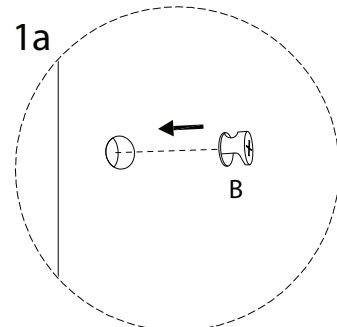
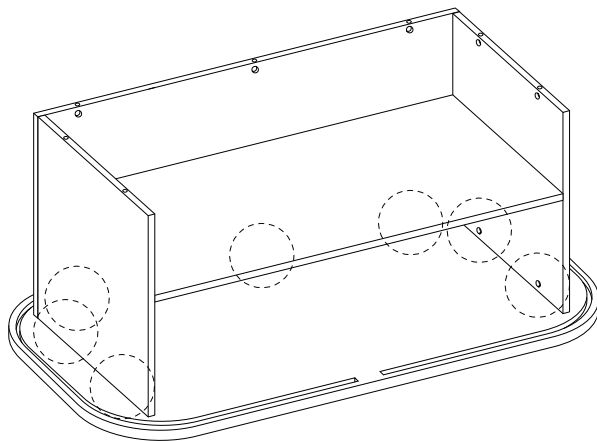


6

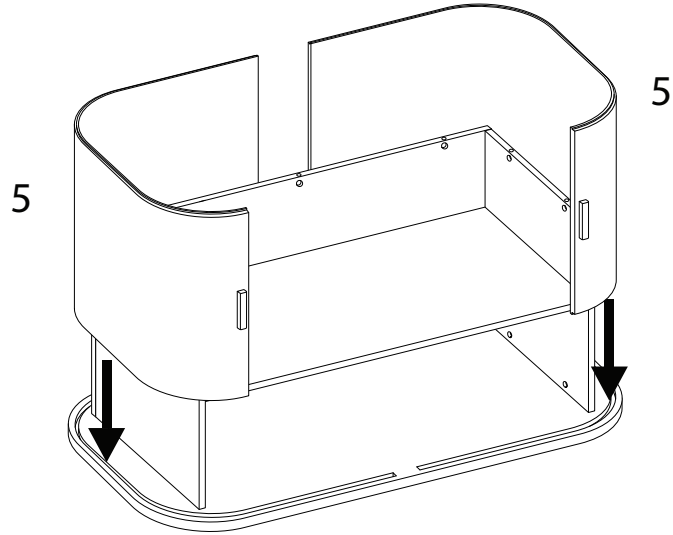
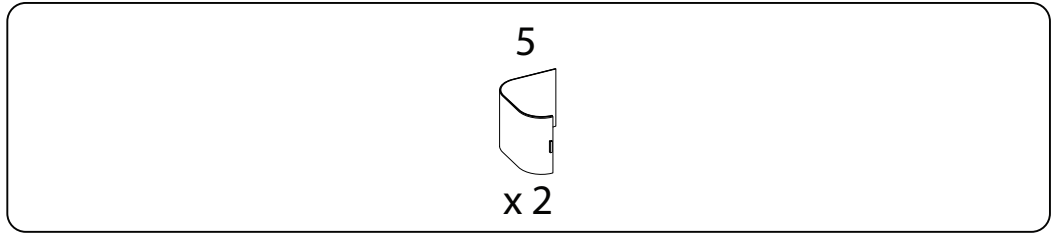
B



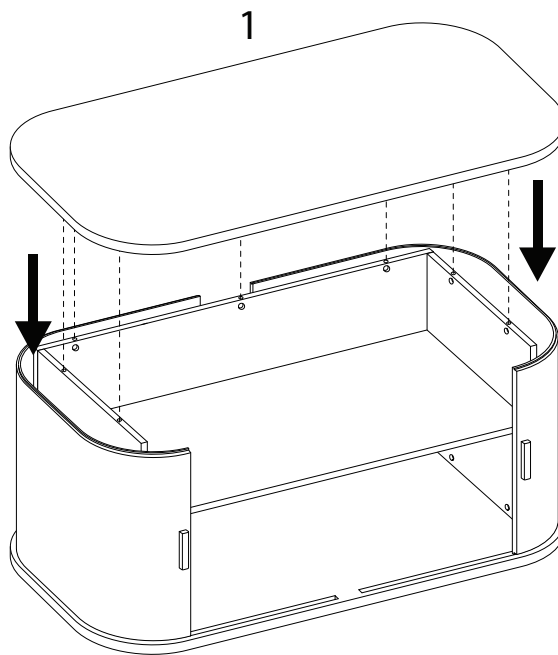
x7



7



8



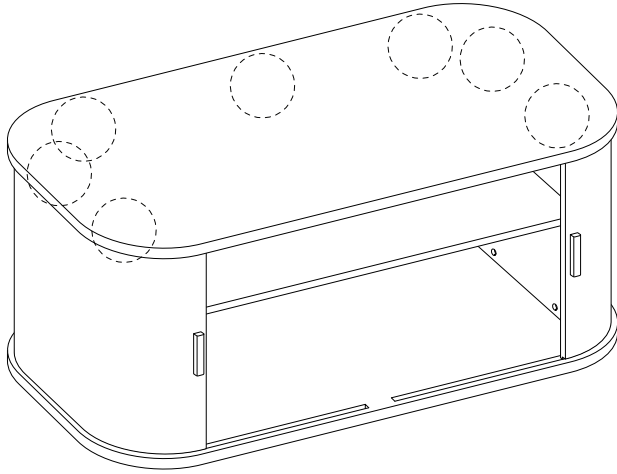


9

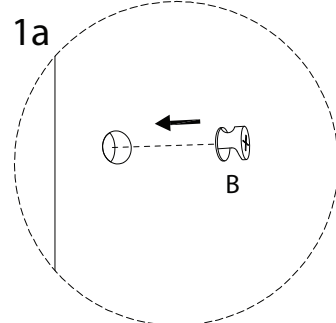
B



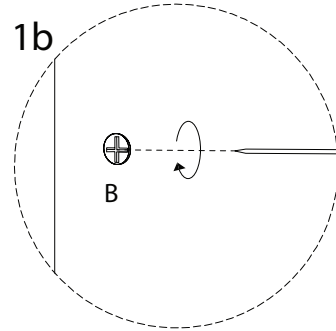
x 7



1a



1b



10

8



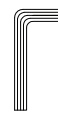
x 2

9



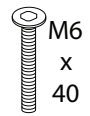
x 1

D

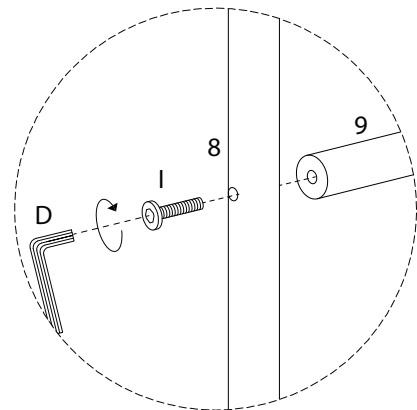
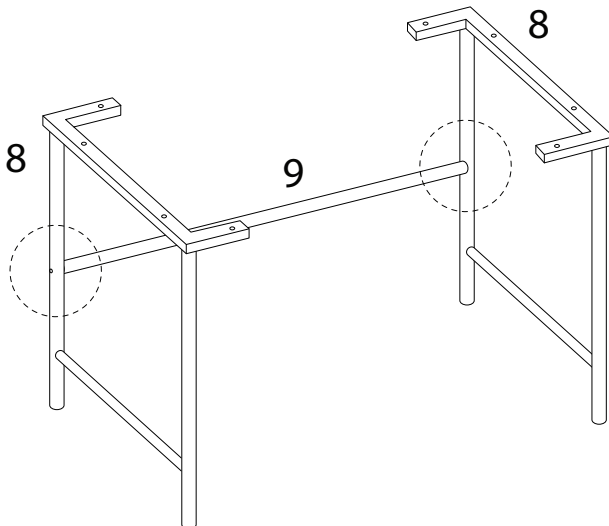


x 1

I

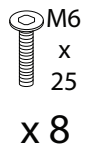


x 2

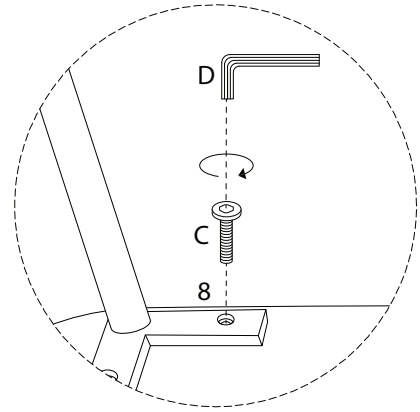
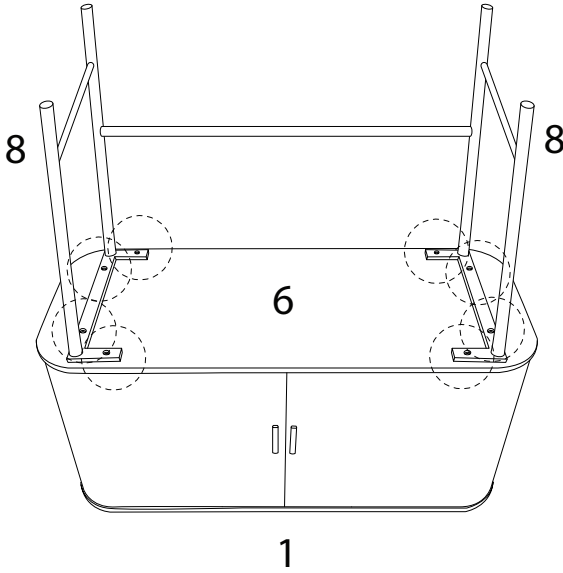
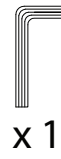


11

C

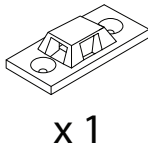


D

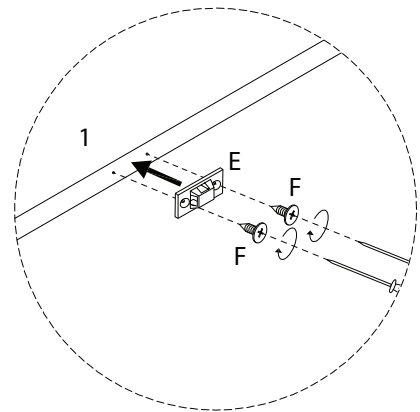
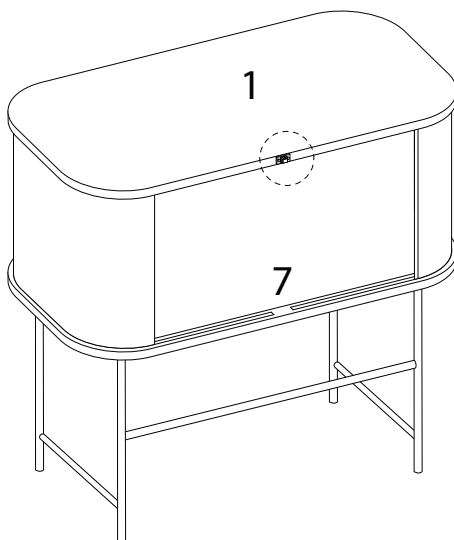
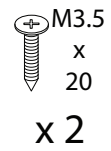


12

E



F



13

