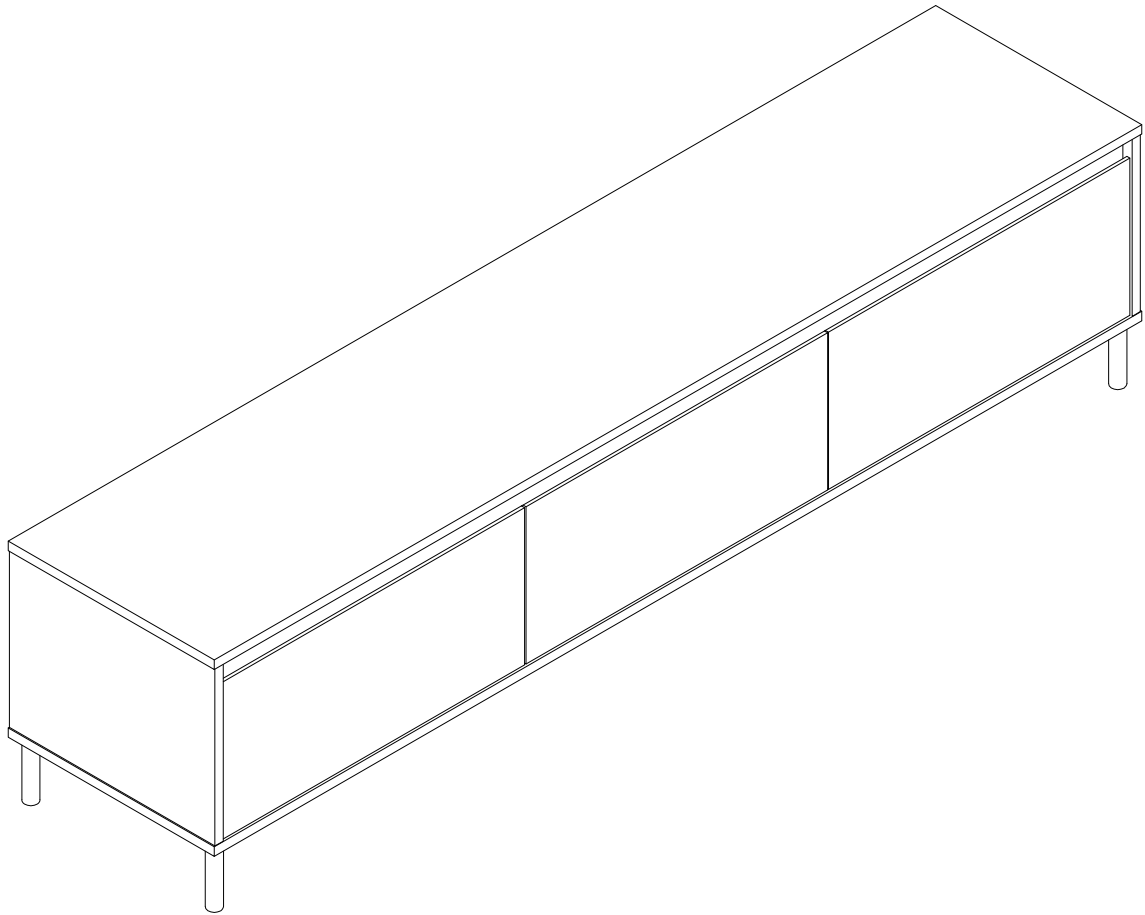
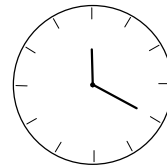
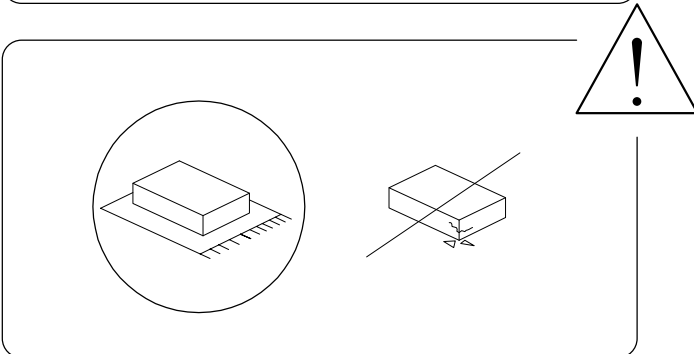
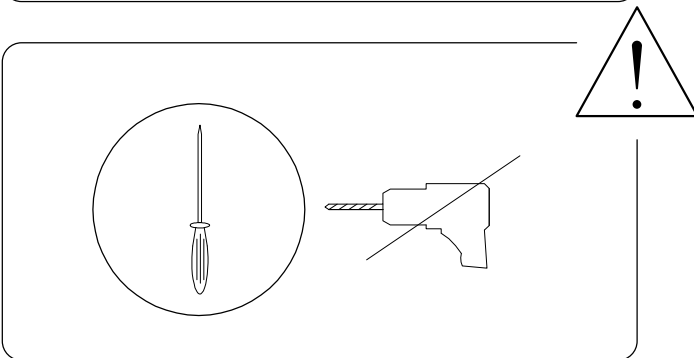
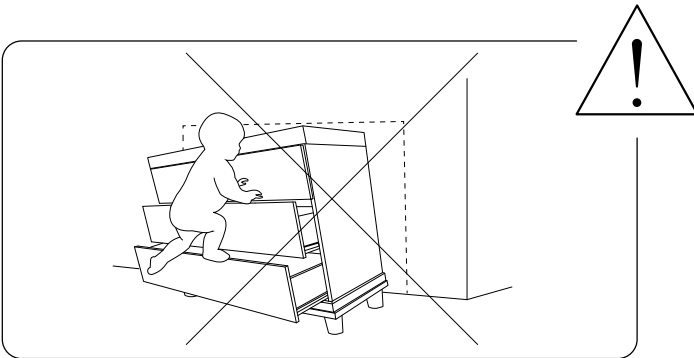
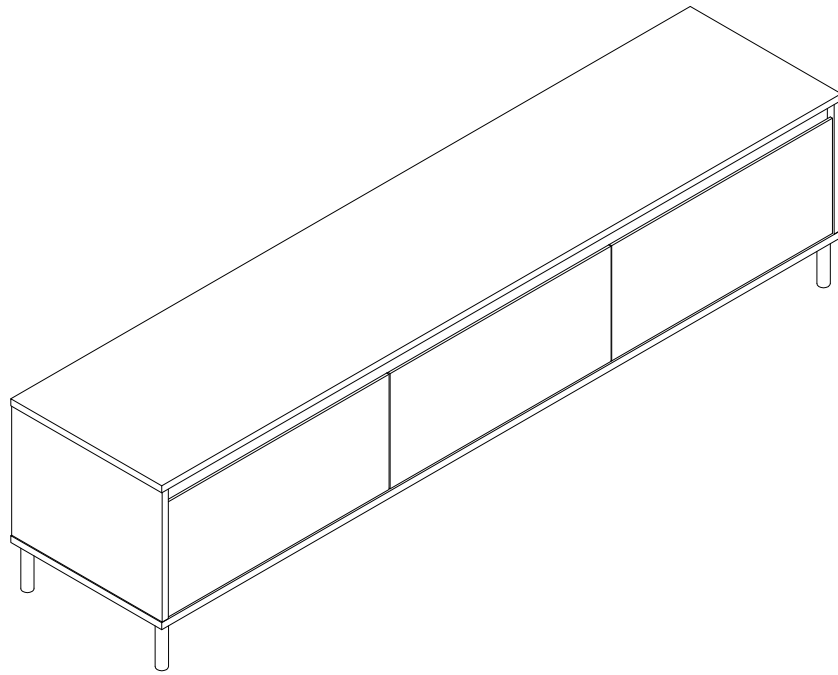


# NIKEA

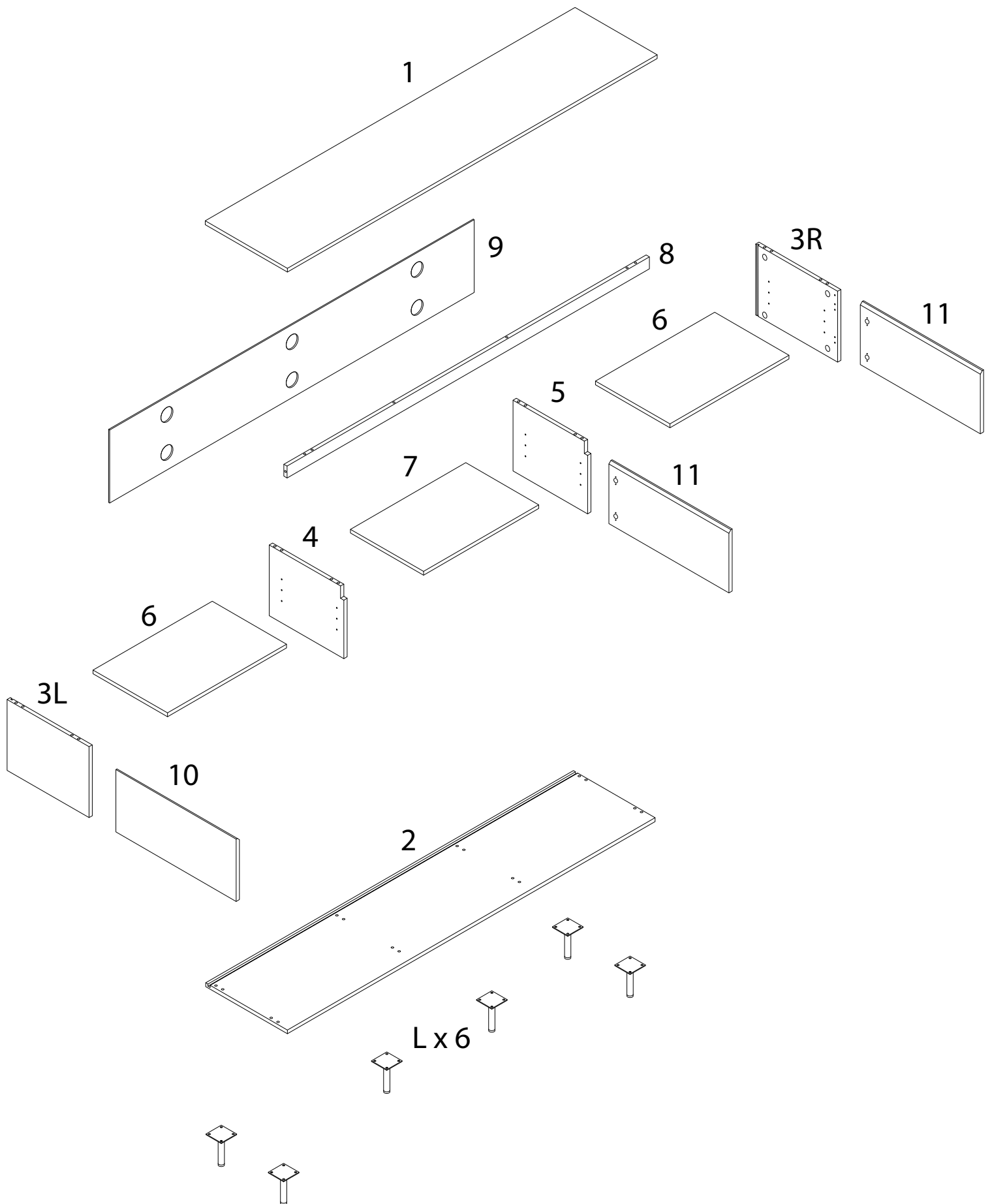




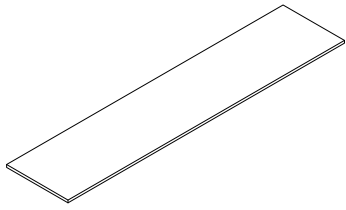
80'



2

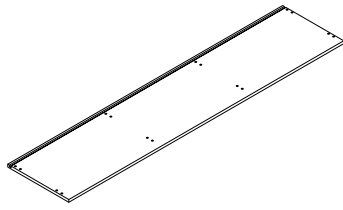


1



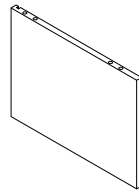
x 1

2



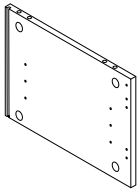
x 1

3L



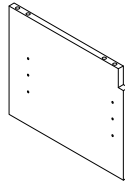
x 1

3R



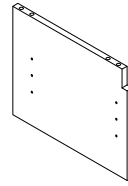
x 1

4



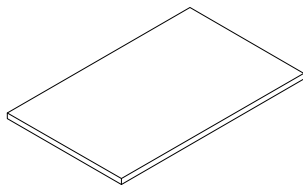
x 1

5



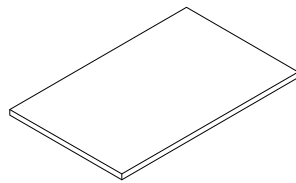
x 1

6



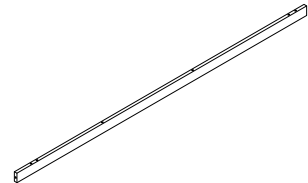
x 2

7



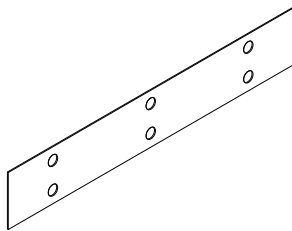
x 1

8



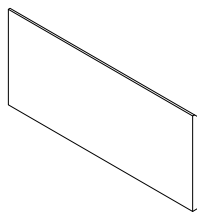
x 1

9



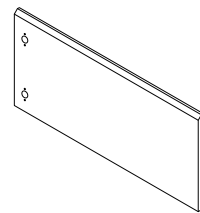
x 1

10



x 1

11



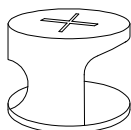
x 2

A



x 20

B



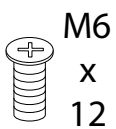
x 20

C



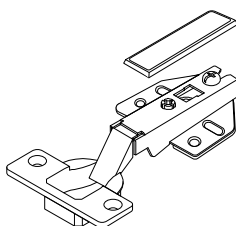
x 20

I



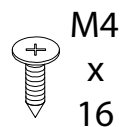
x 24

K1



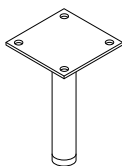
x 2

K2



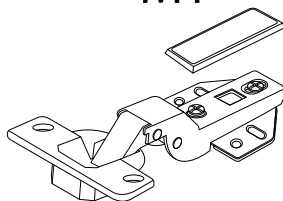
x 8

L



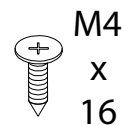
x 6

M1



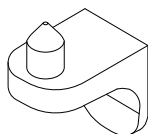
x 4

M2



x 16

N



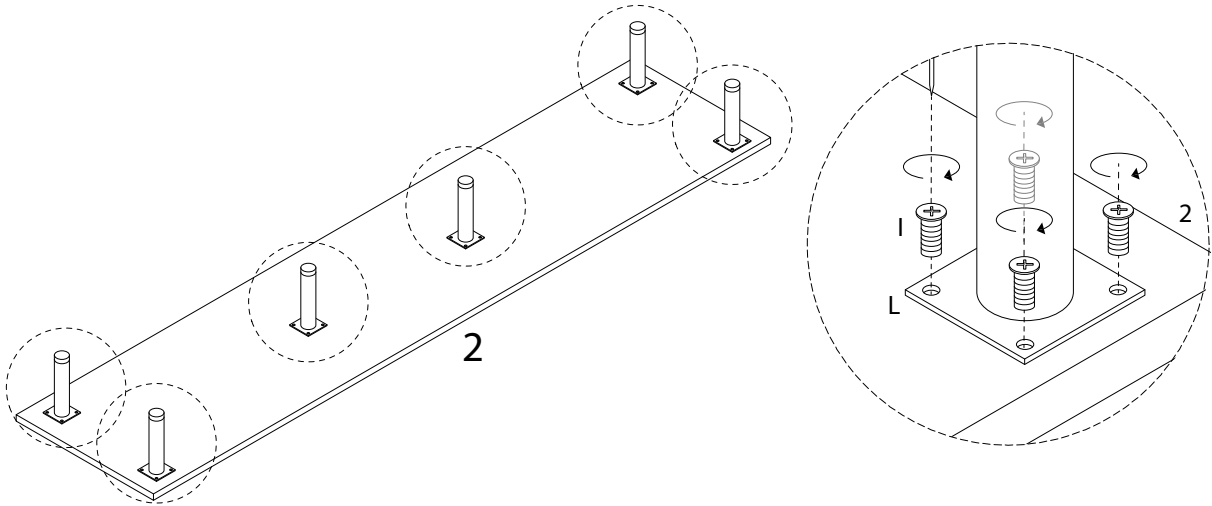
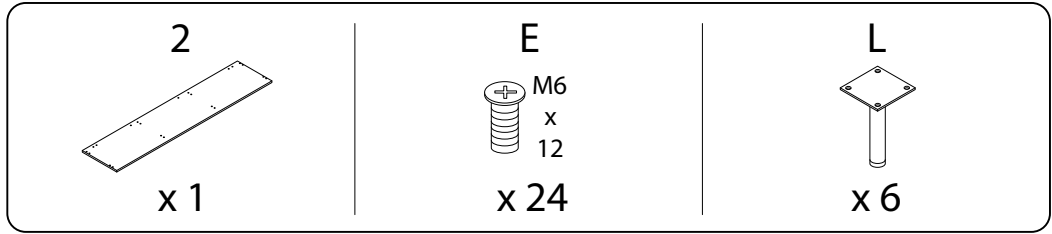
x 12

Z

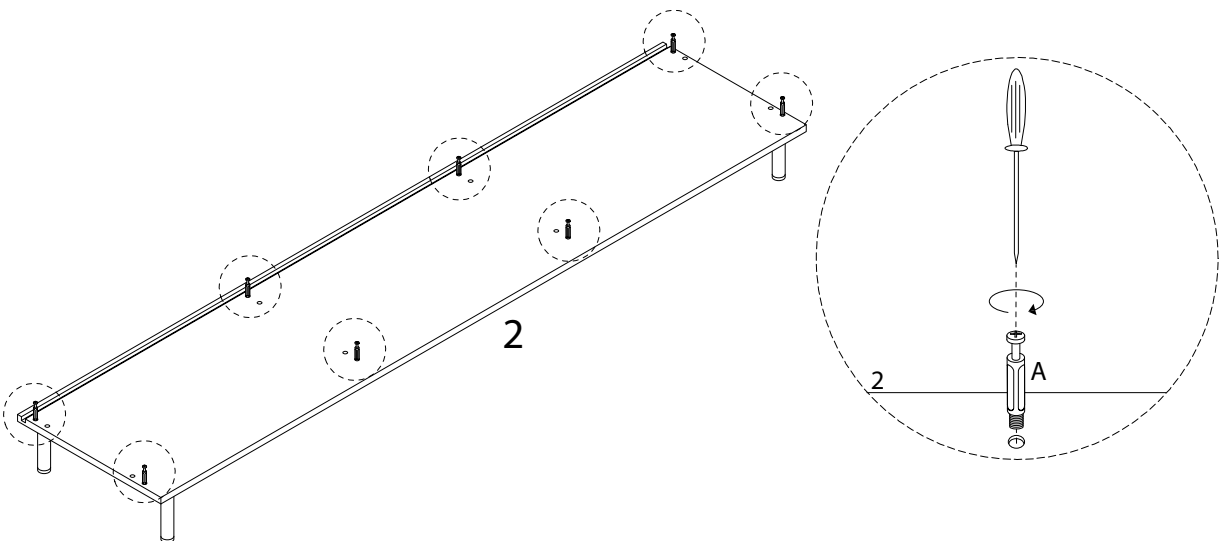
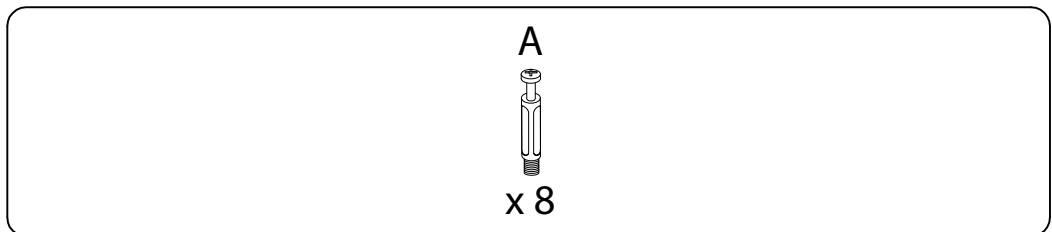


x 20

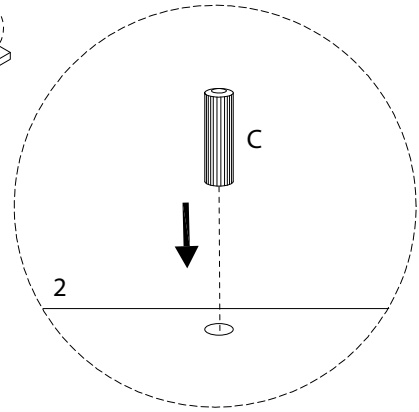
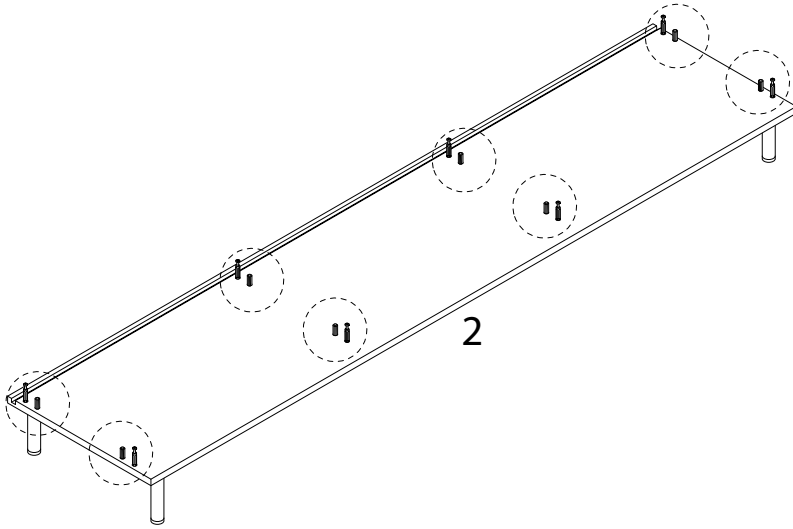
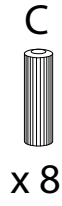
1



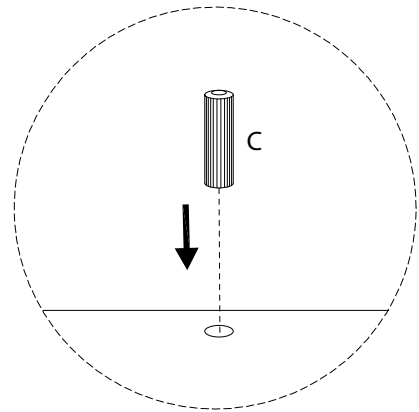
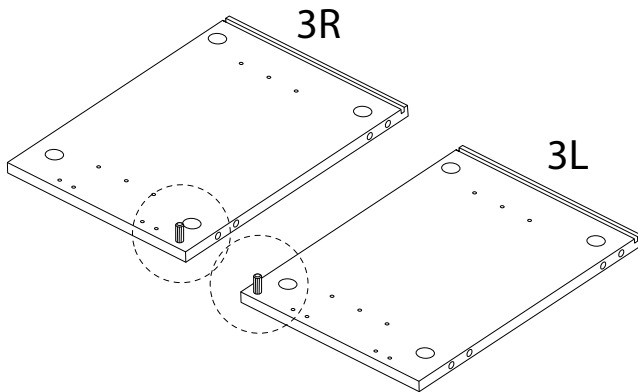
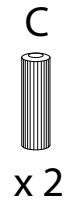
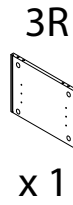
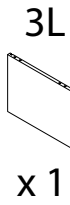
2



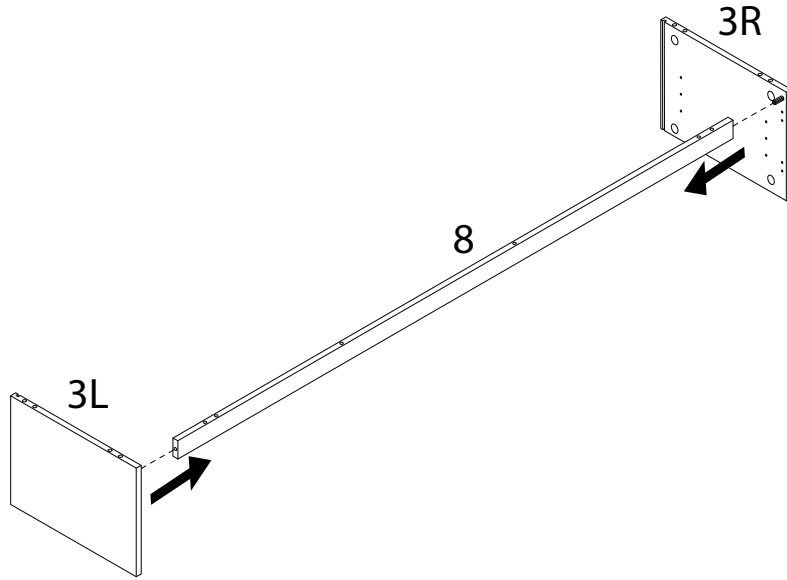
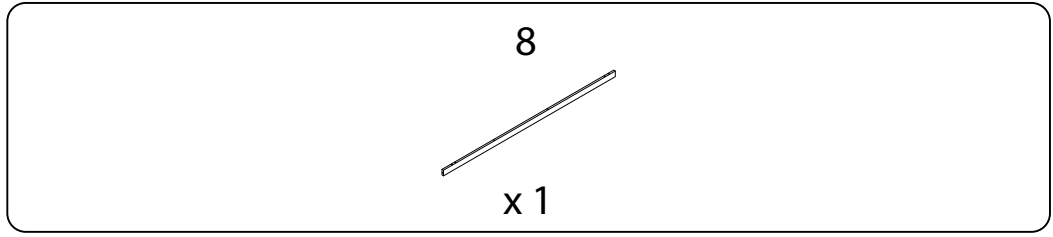
3



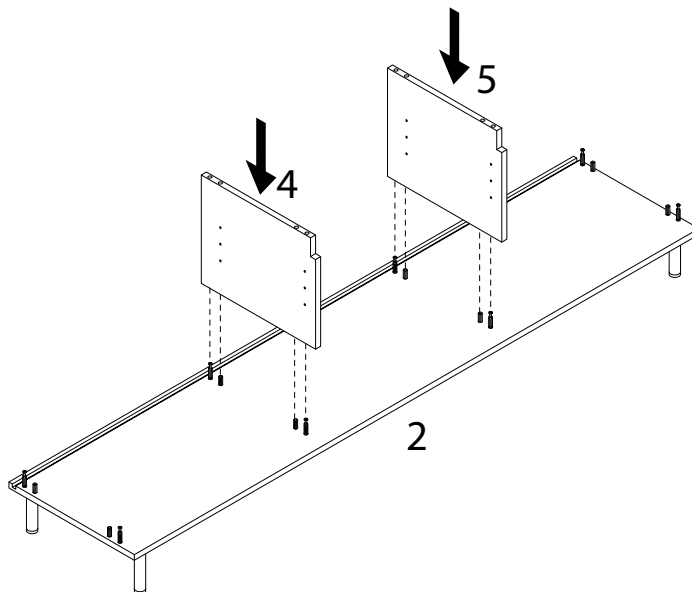
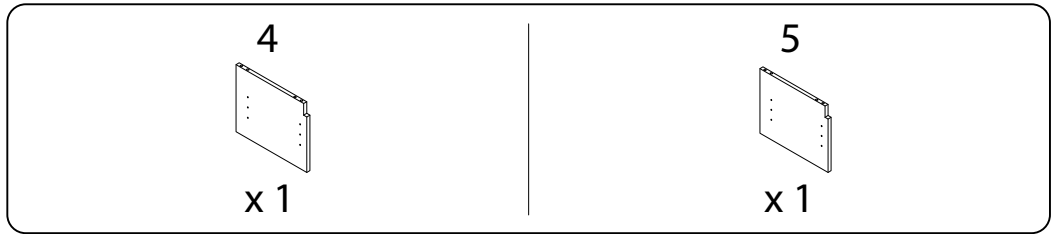
4



5



6



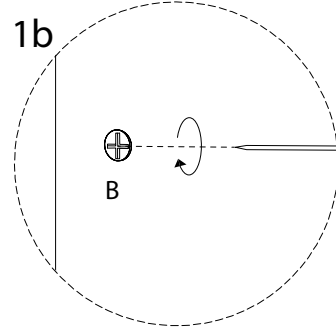
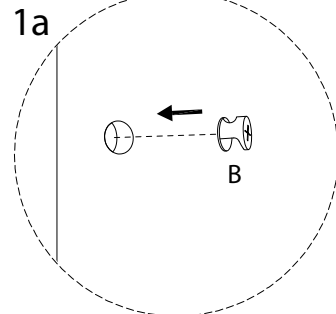
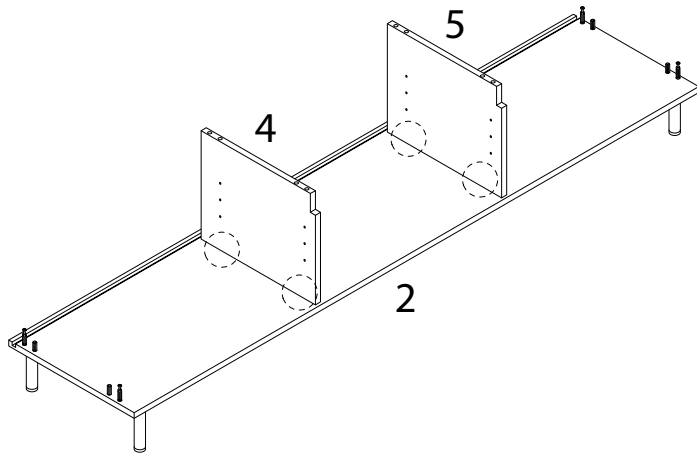


7

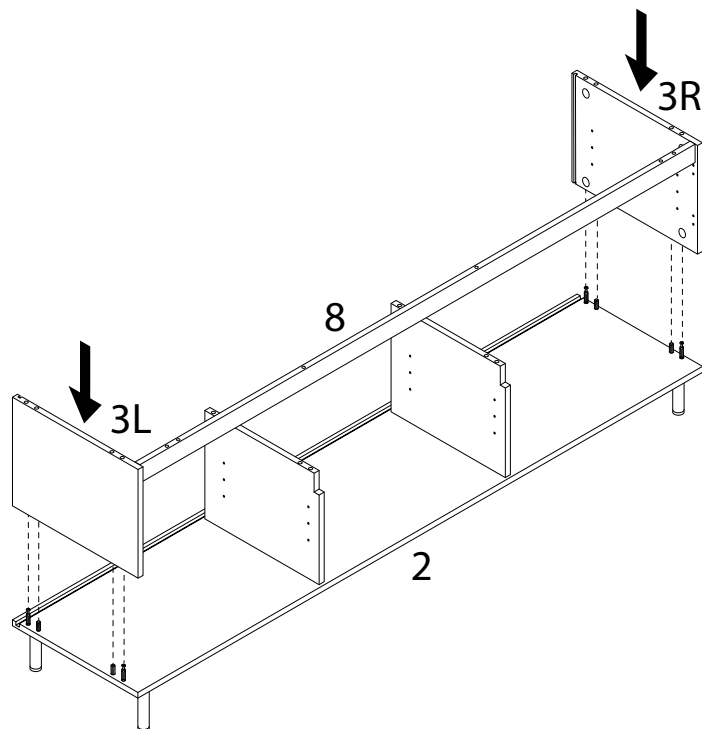
B



x 4



8

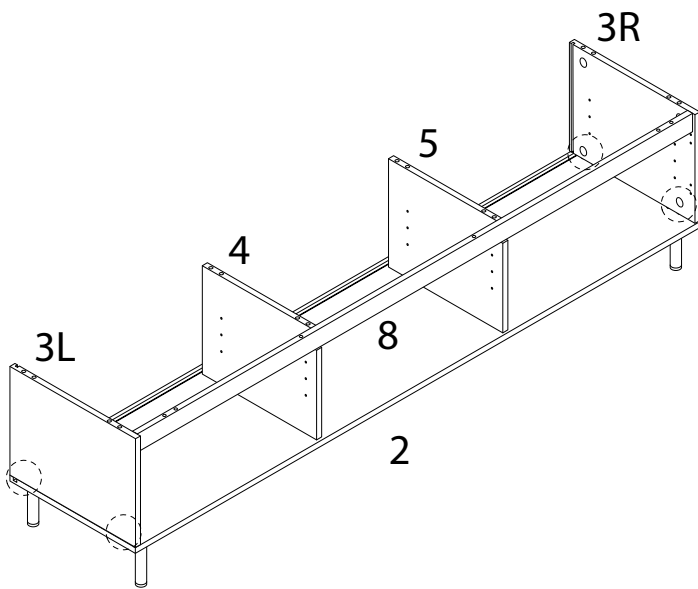


9

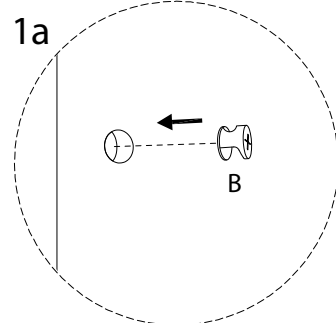
B



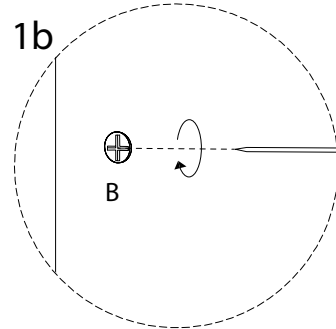
x 4



1a

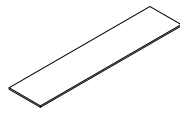


1b



10

1

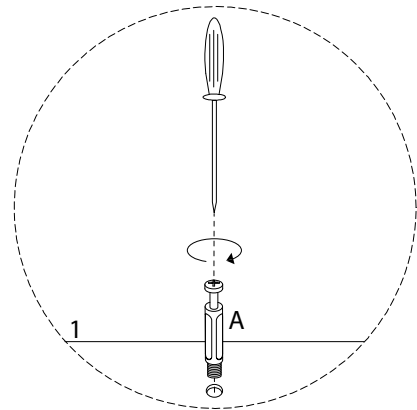
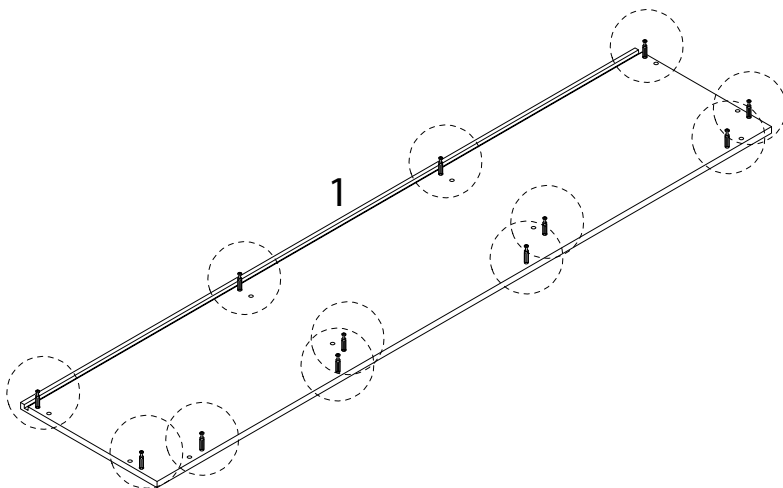


x 1

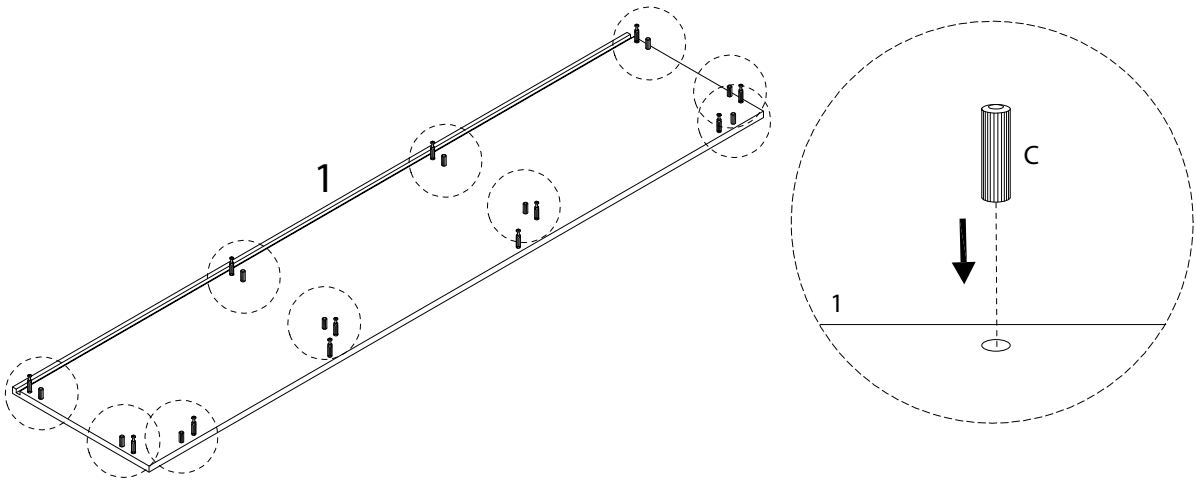
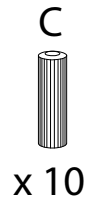
A



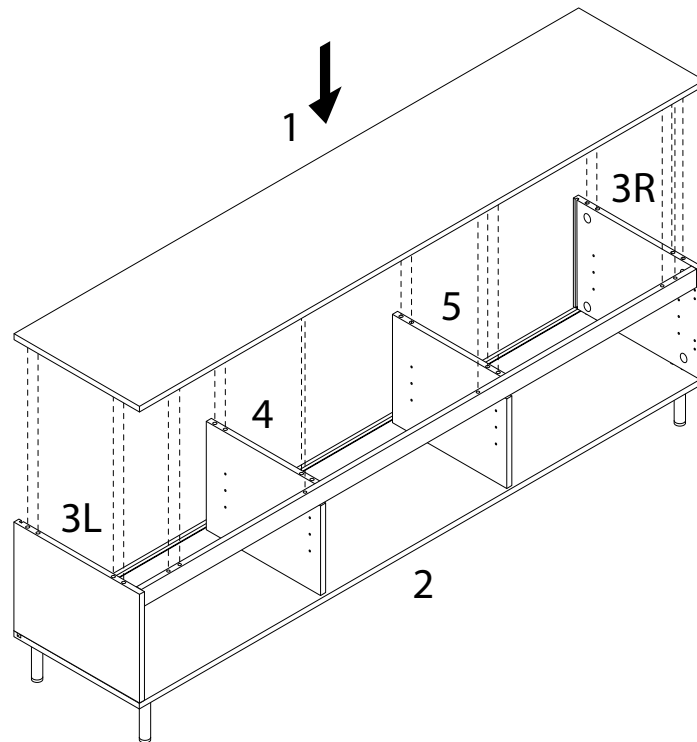
x 12



11



12

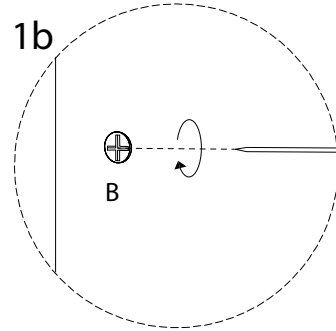
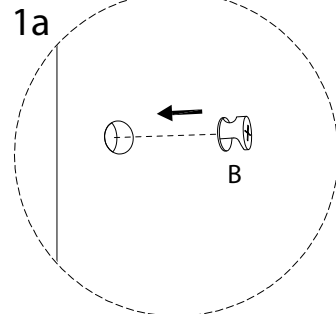
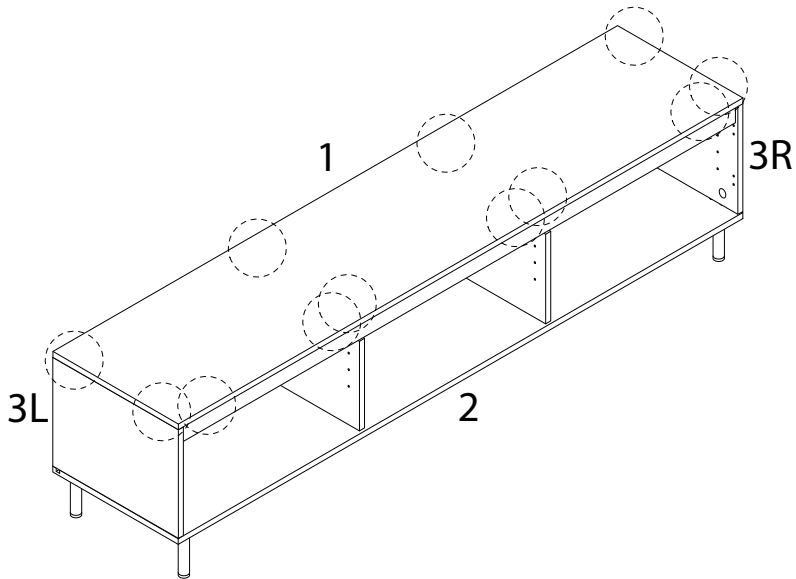


13

B



x 12

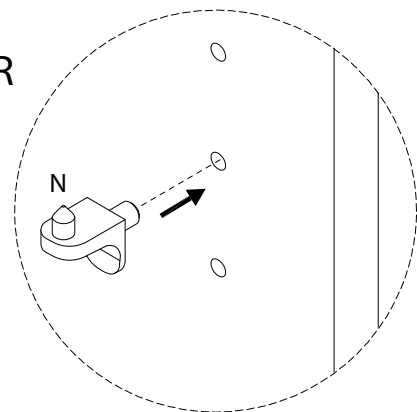
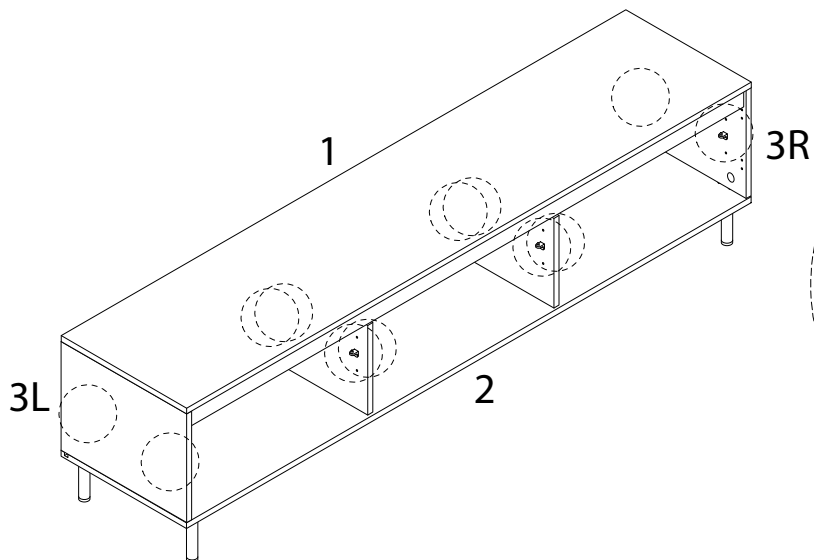


14

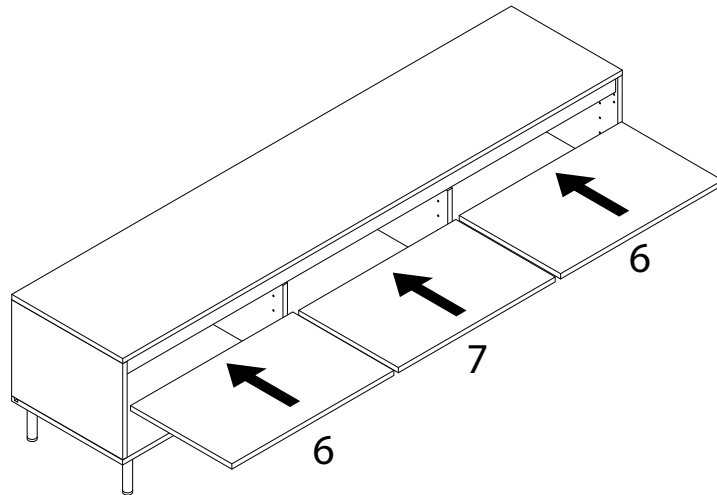
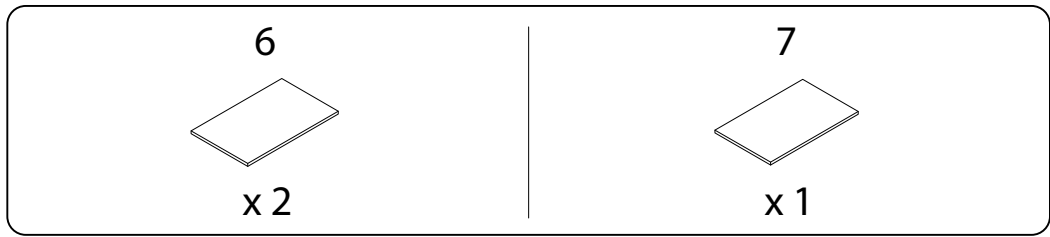
N



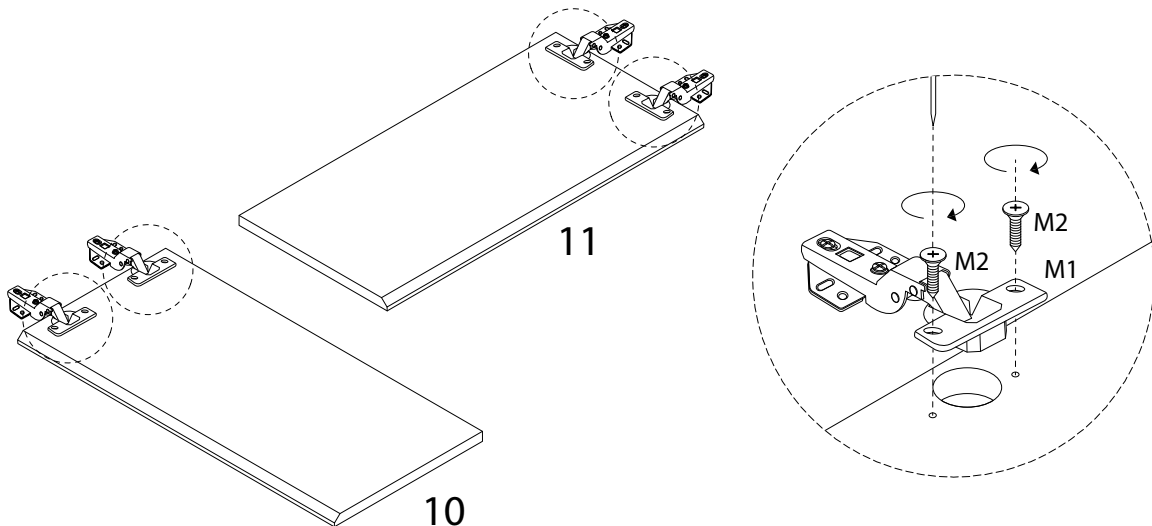
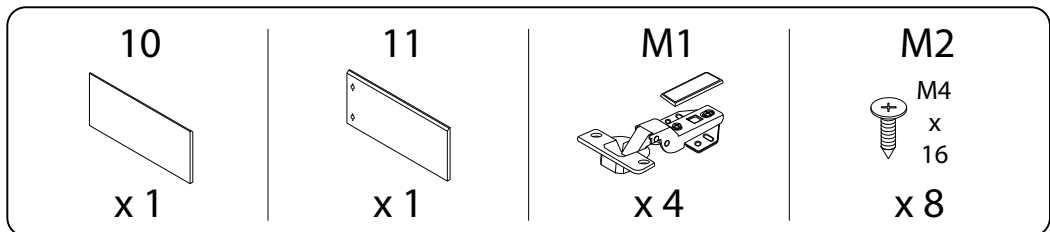
x 12



15

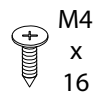


16

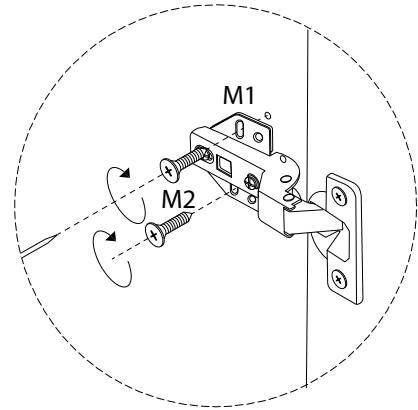
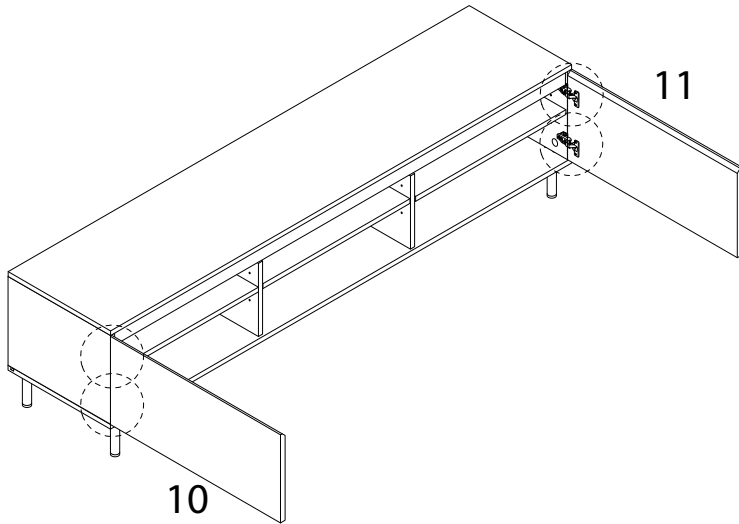


17

M2

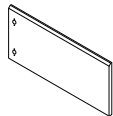


x 8

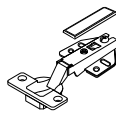


18

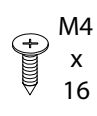
11



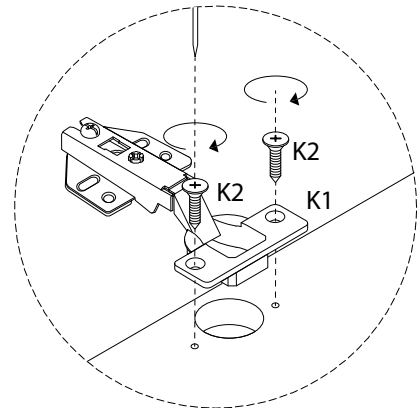
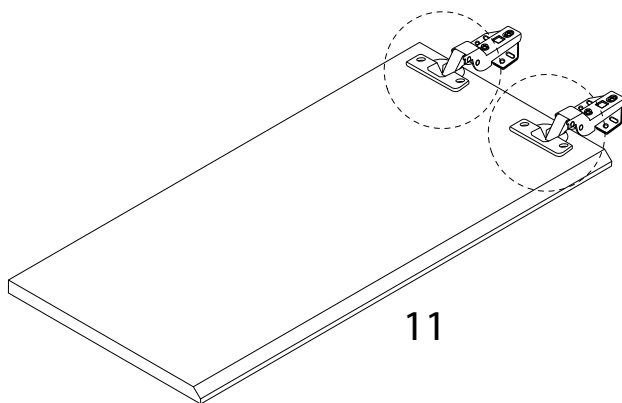
K1



K2

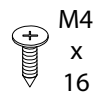


x 4

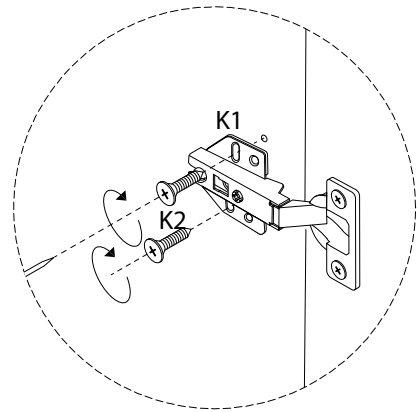
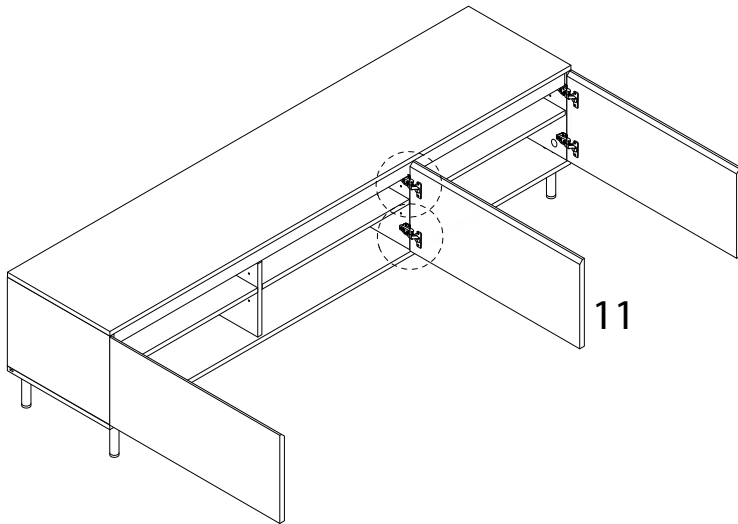


19

K2



x 4

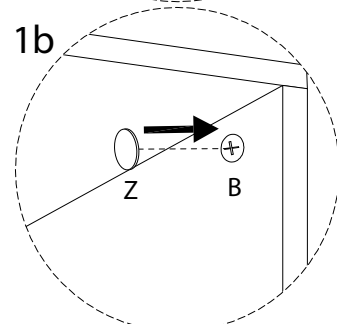
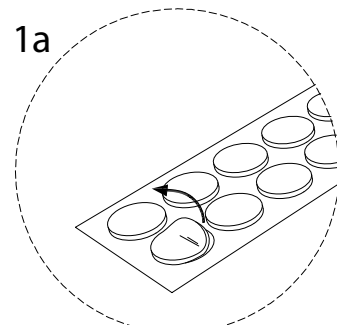
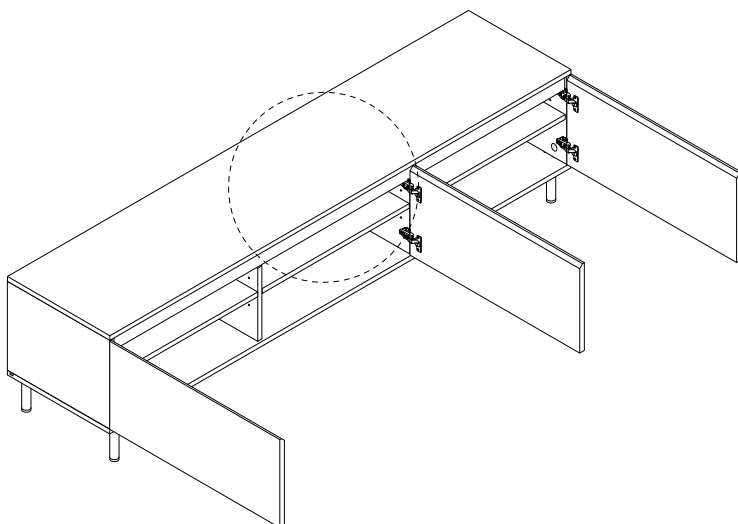


20

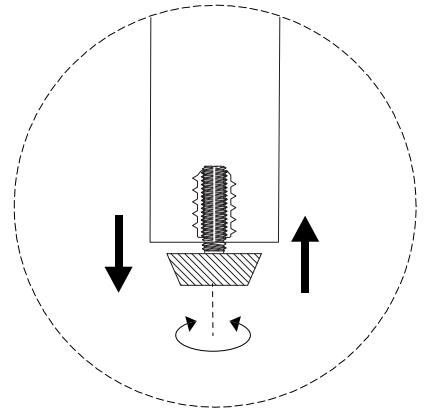
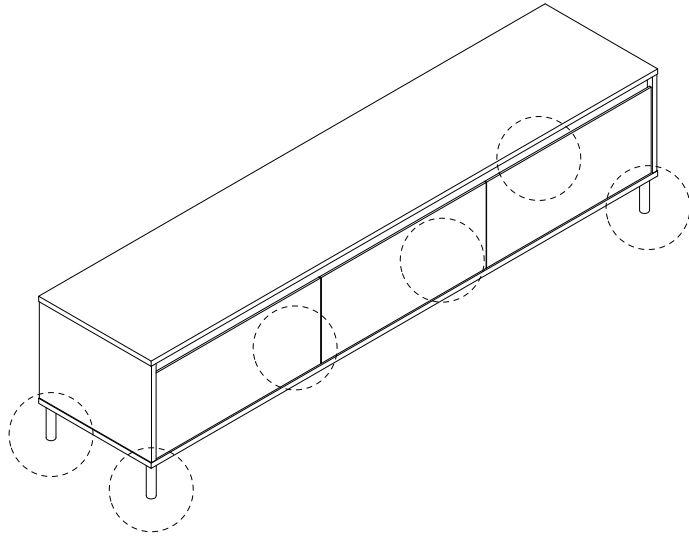
Z



x 20



21





22

