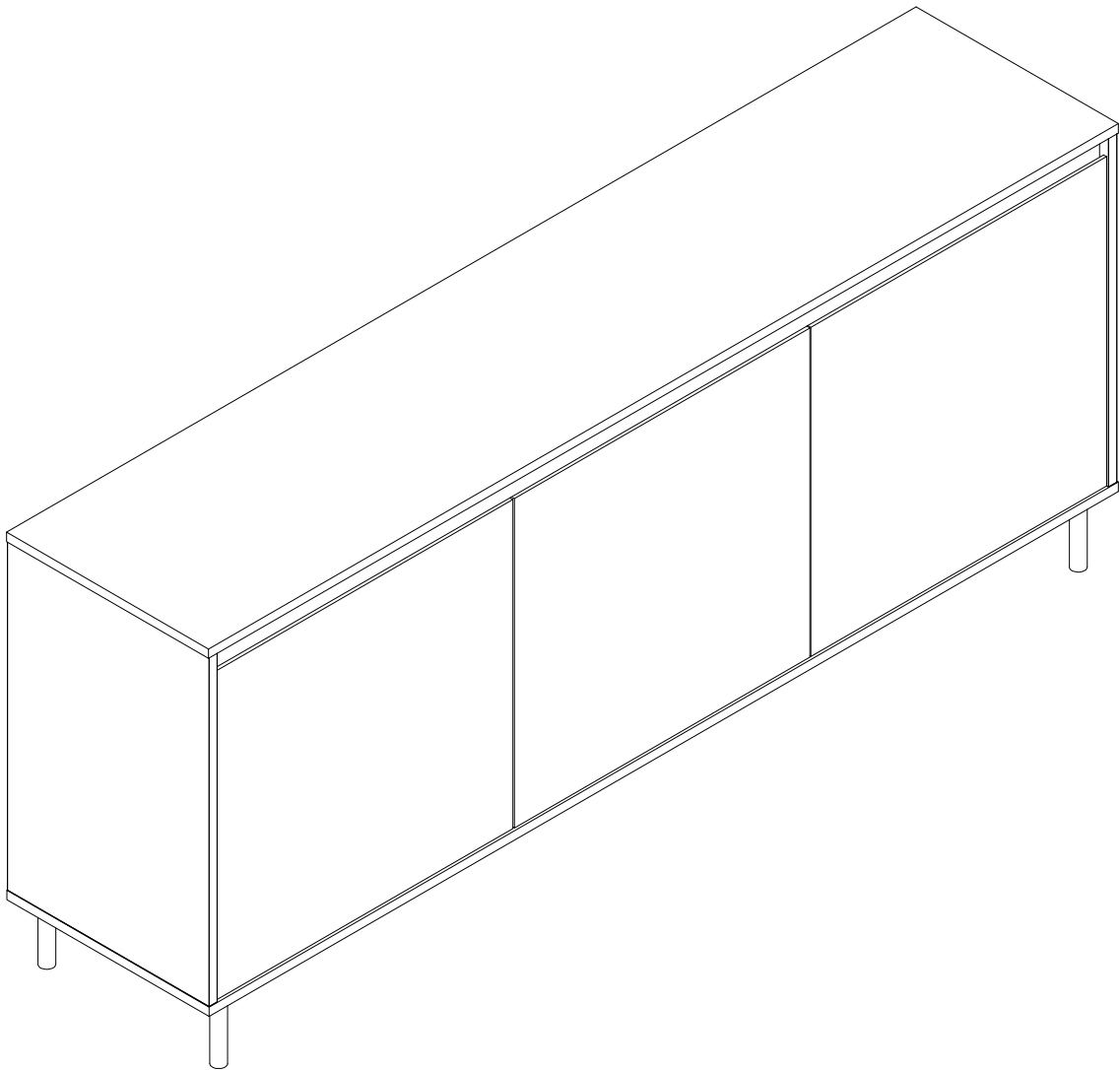
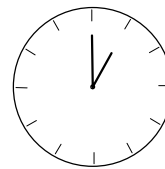
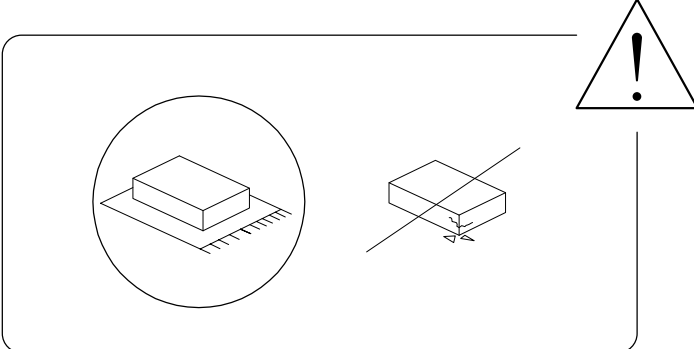
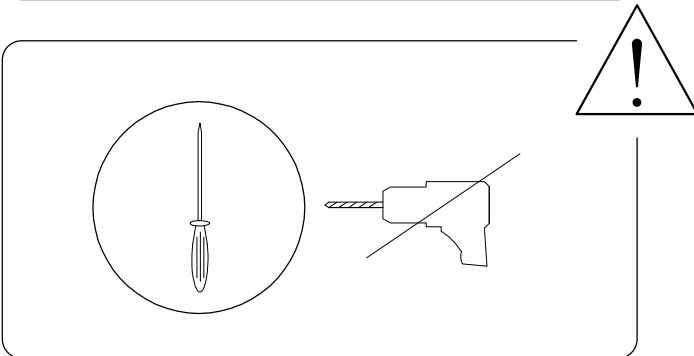
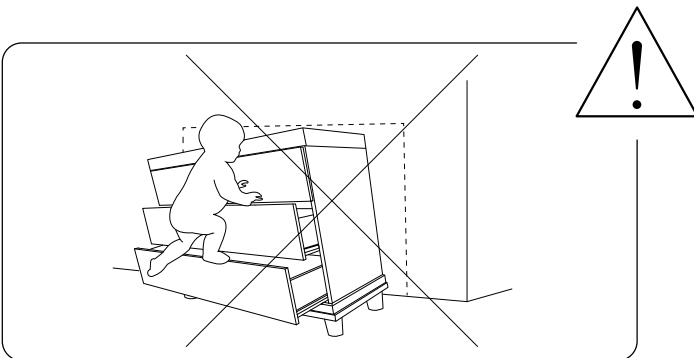
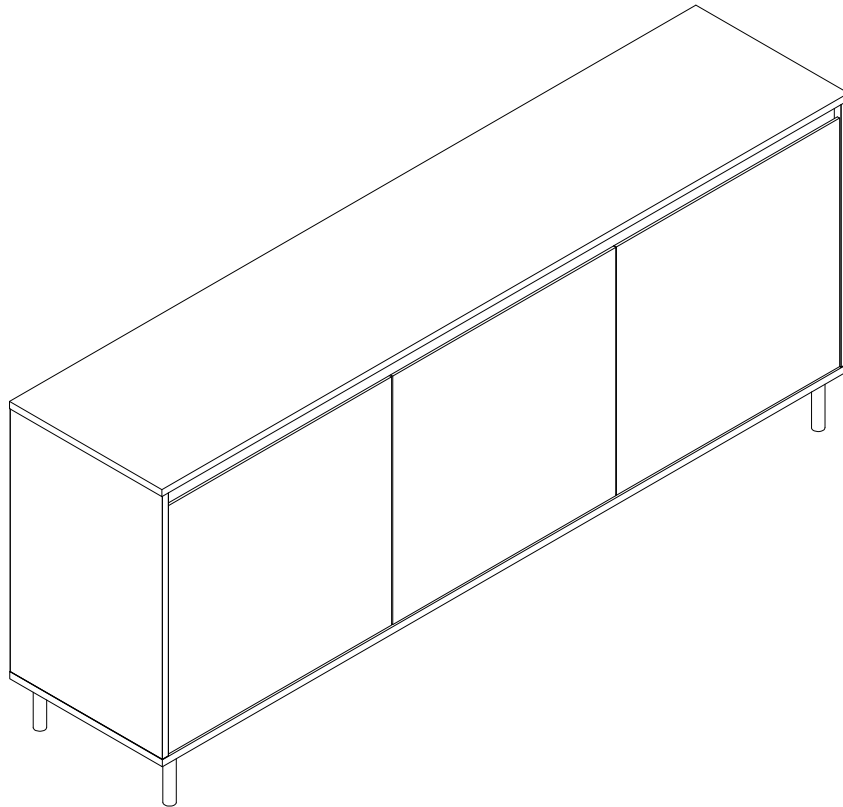


NIKEA

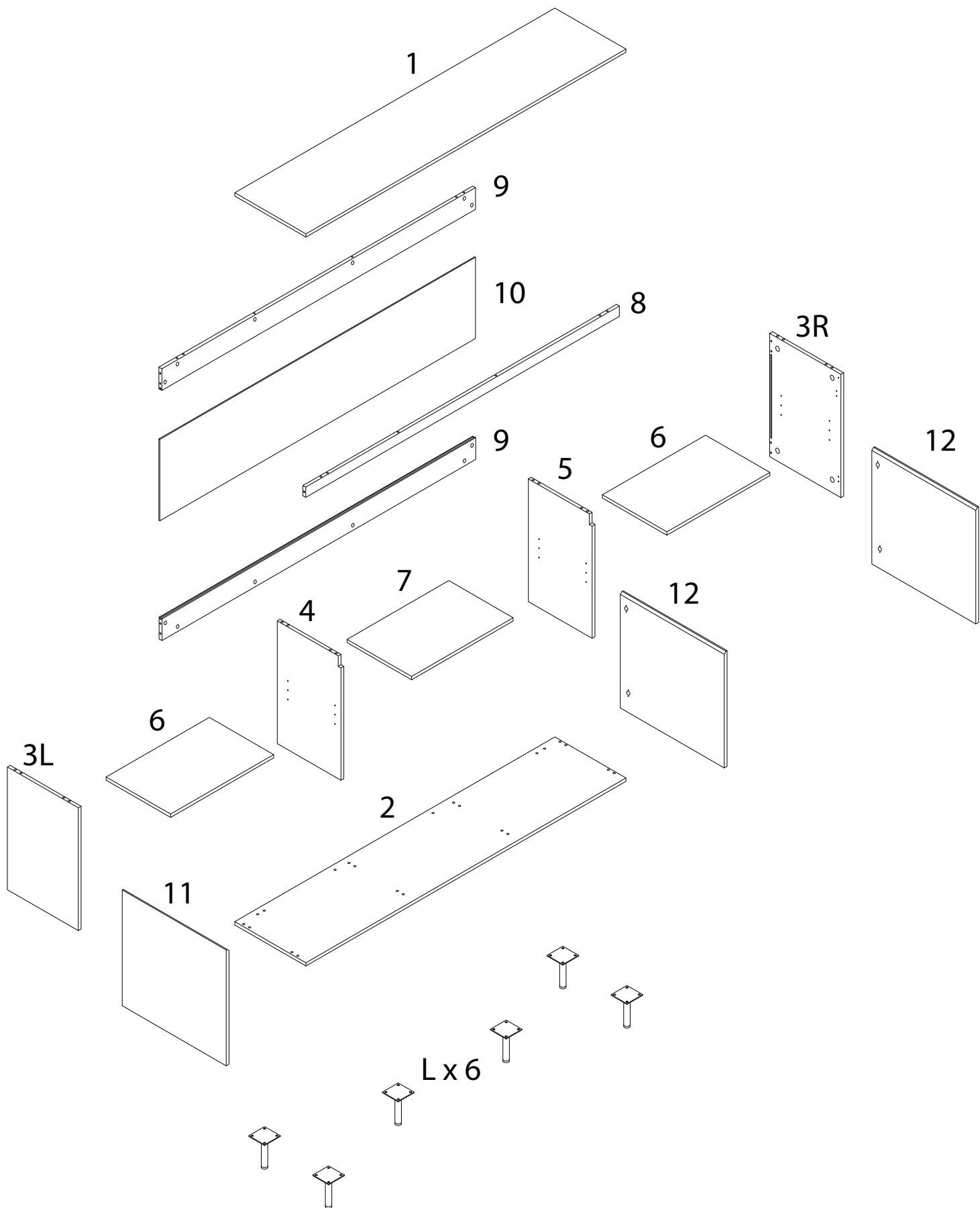




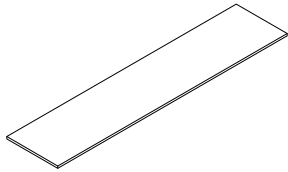
60'



2

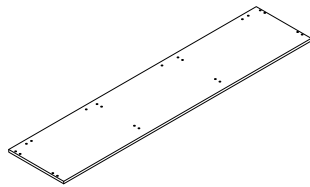


1



x 1

2



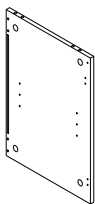
x 1

3L



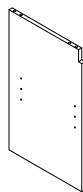
x 1

3R



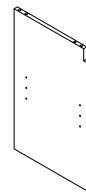
x 1

4



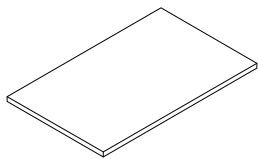
x 1

5



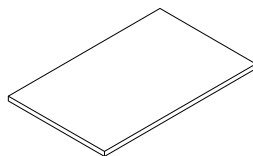
x 1

6



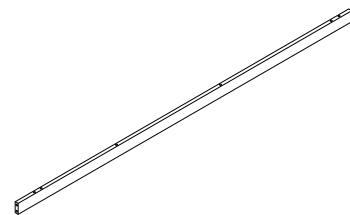
x 2

7



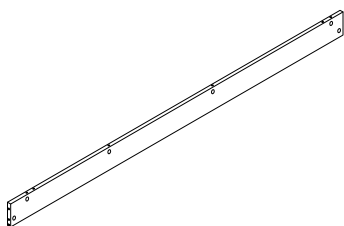
x 1

8



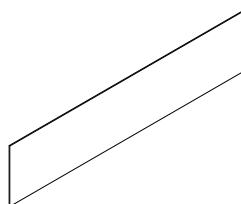
x 1

9



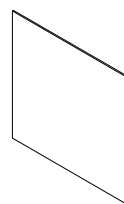
x 2

10



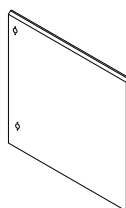
x 1

11



x 1

12



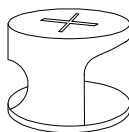
x 2

A



x 32

B



x 32

C



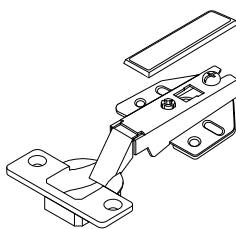
x 28

E



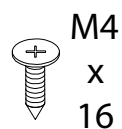
x 24

K1



x 2

K2



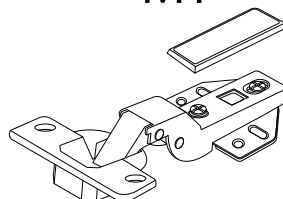
x 8

L



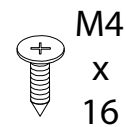
x 6

M1



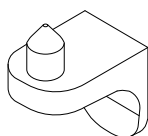
x 4

M2



x 16

N



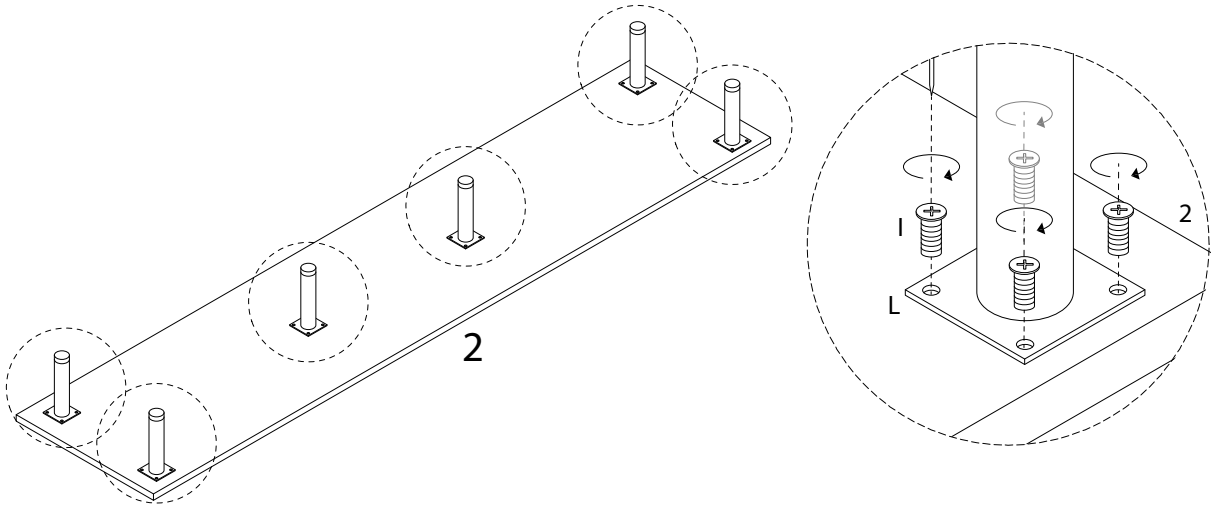
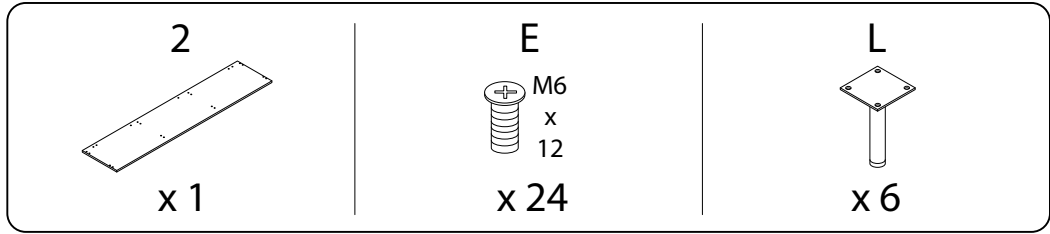
x 12

Z

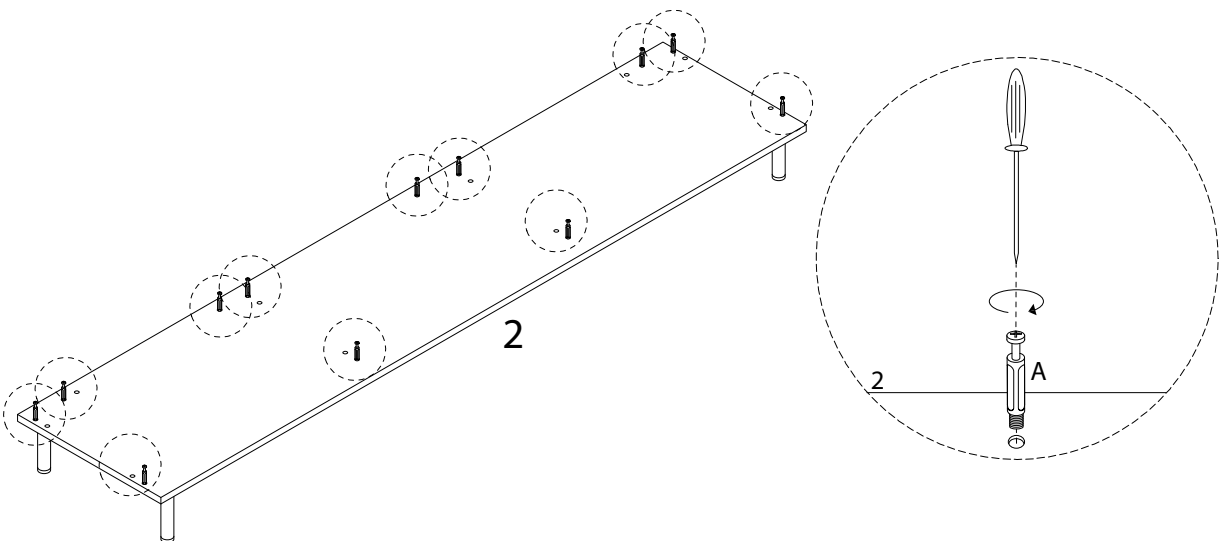
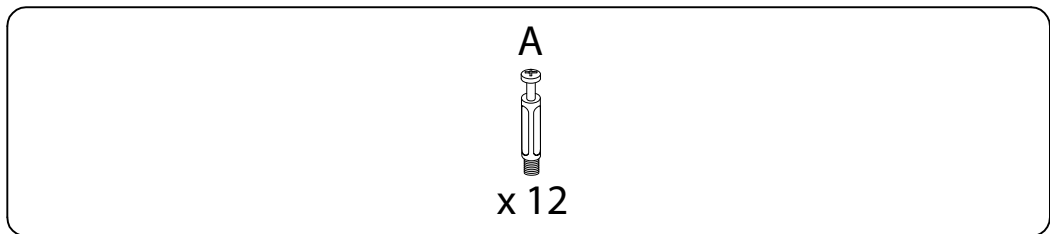


x 32

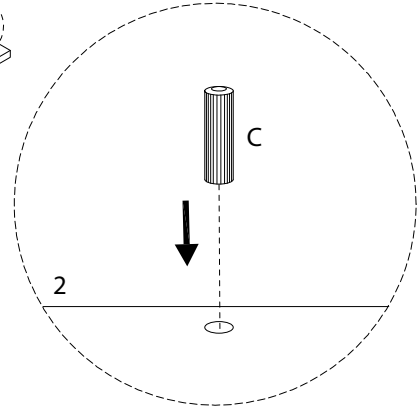
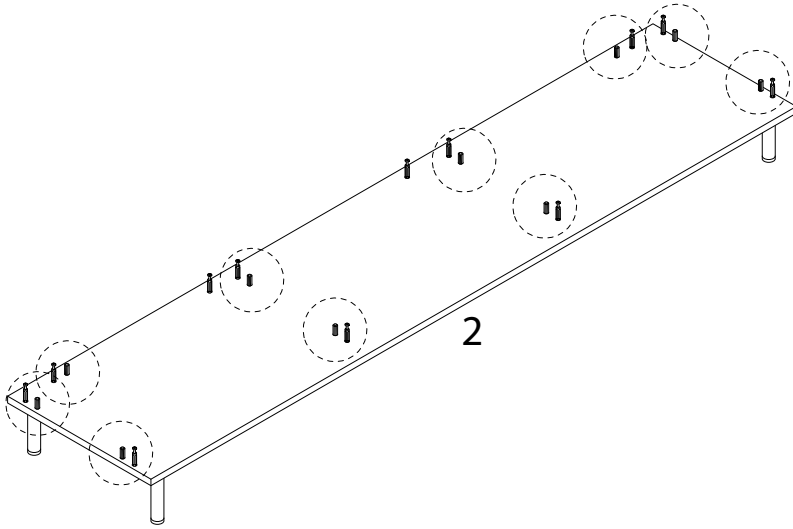
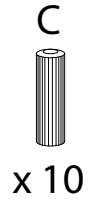
1



2



3



4

3L



x 1

3R

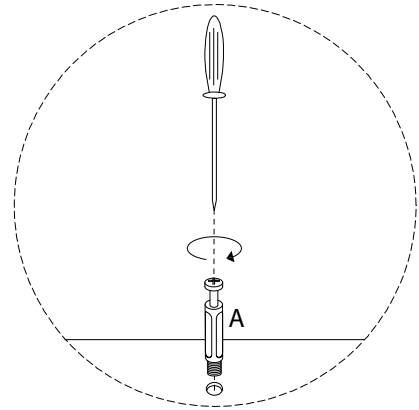
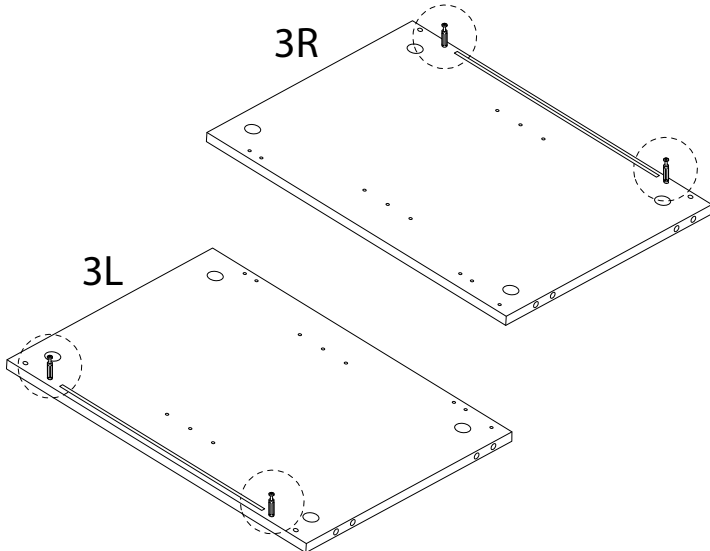


x 1

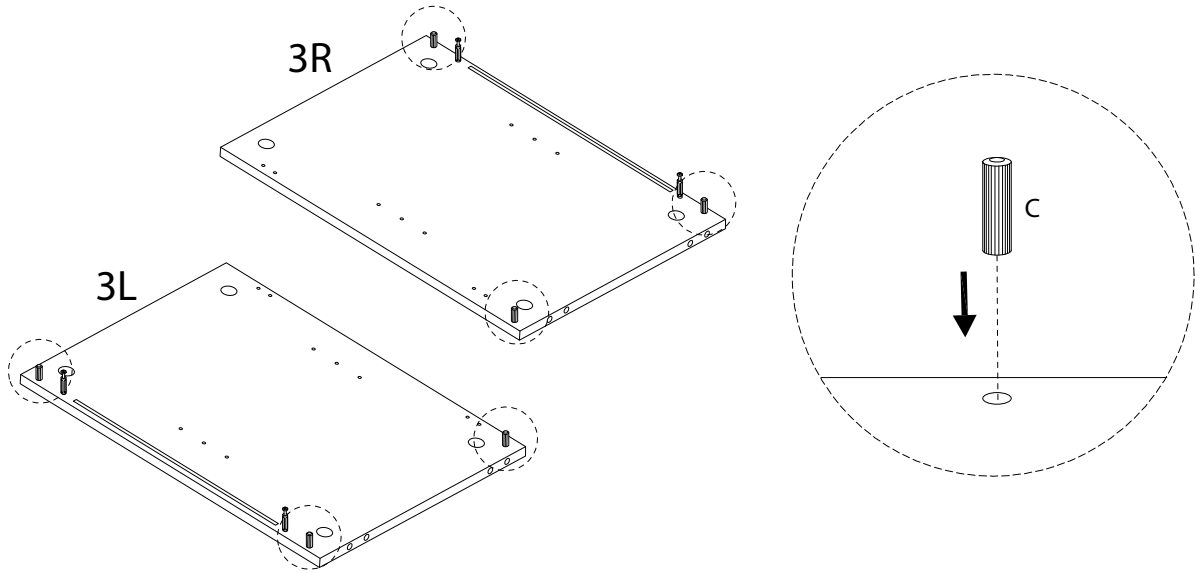
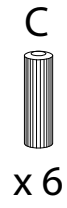
A



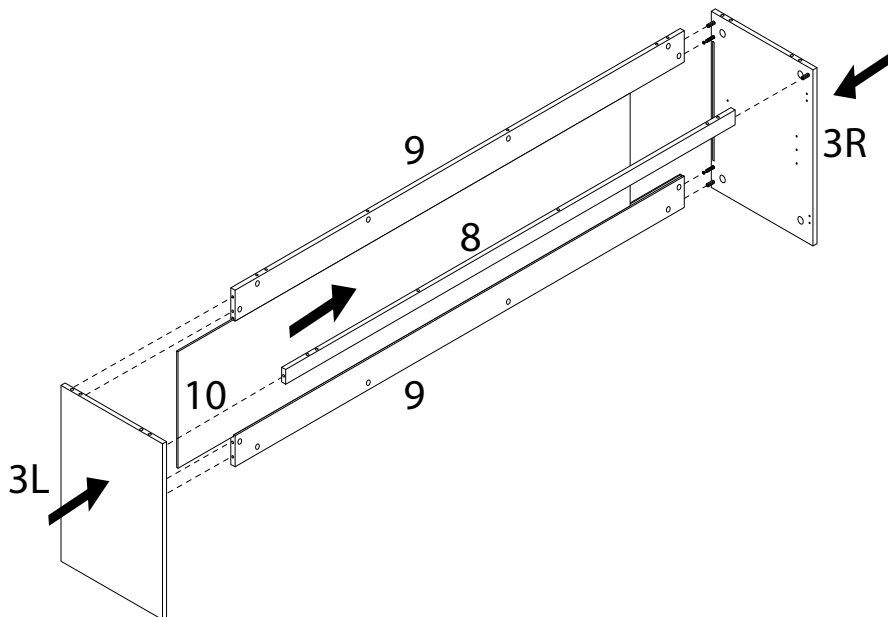
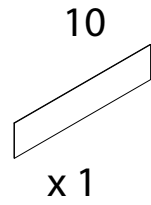
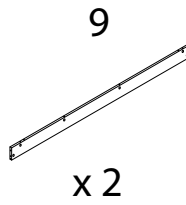
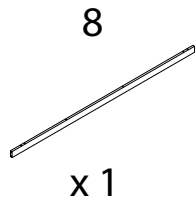
x 4



5



6

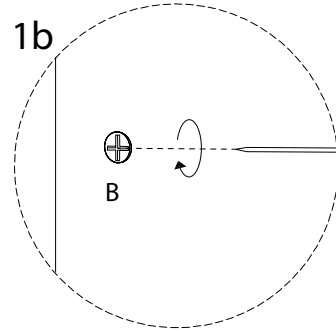
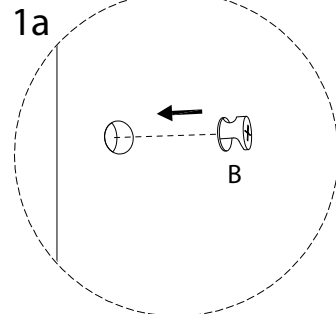
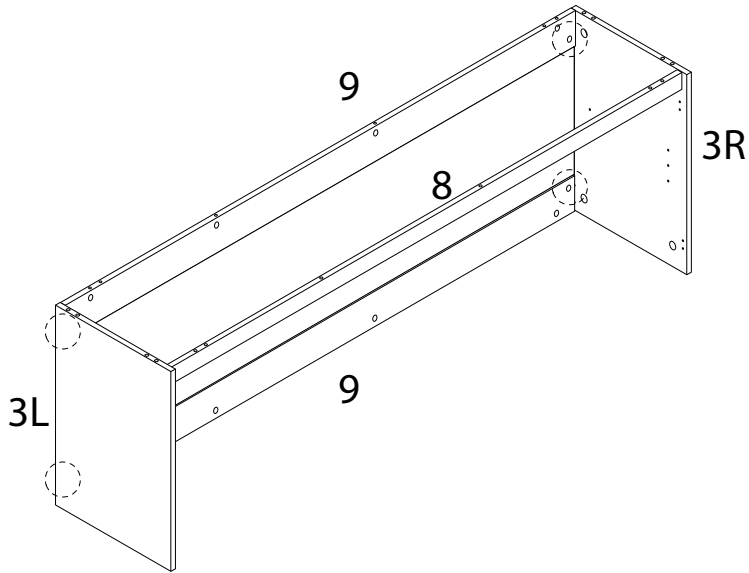


7

B

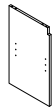


x 4



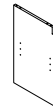
8

4

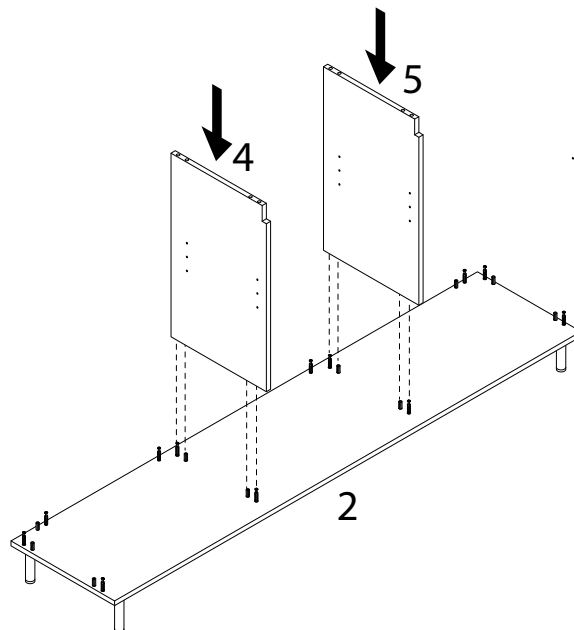


x 1

5



x 1

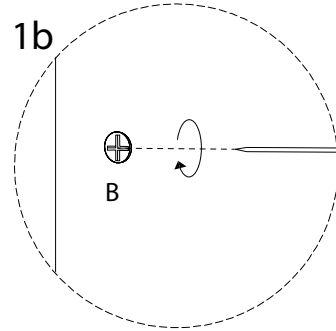
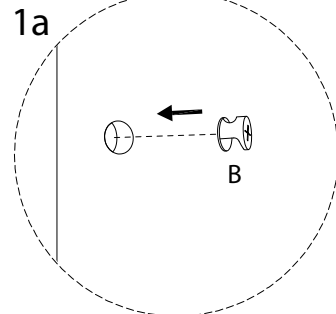
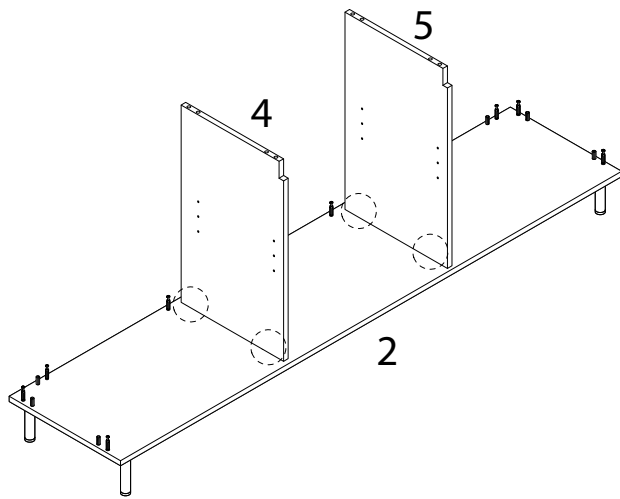


9

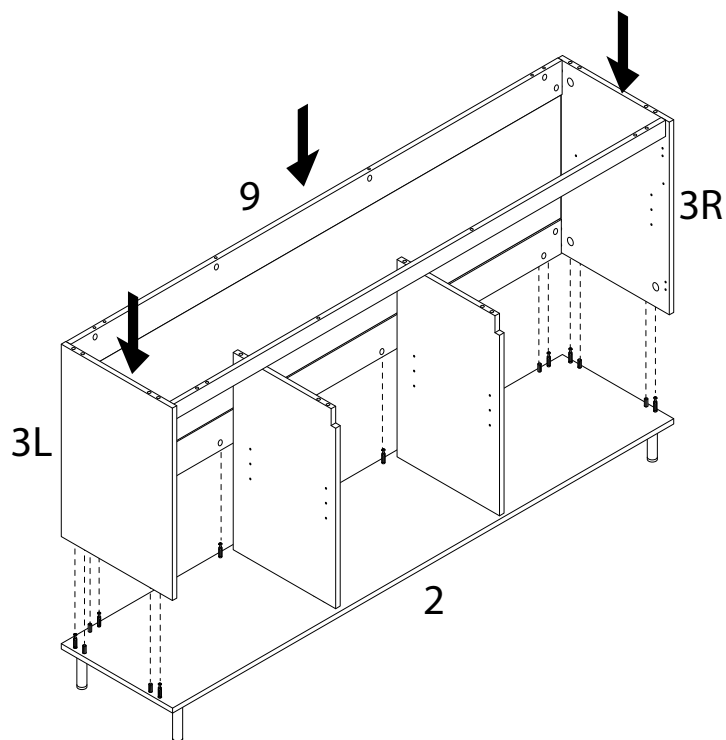
B



x 4



10

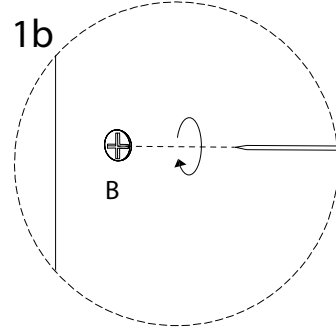
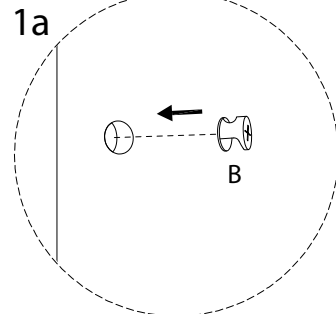
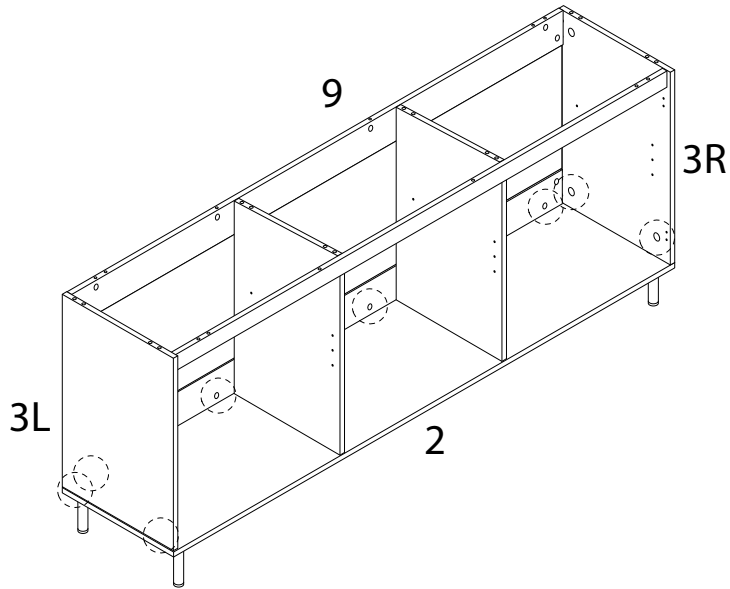


11

B

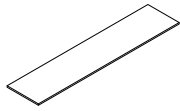


x 8



12

1

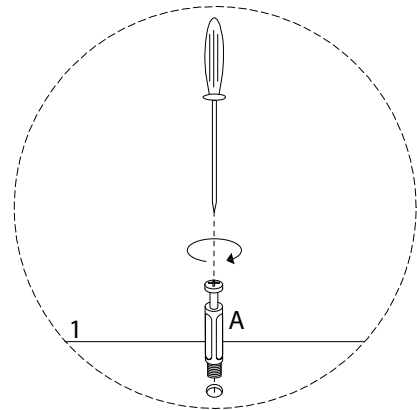
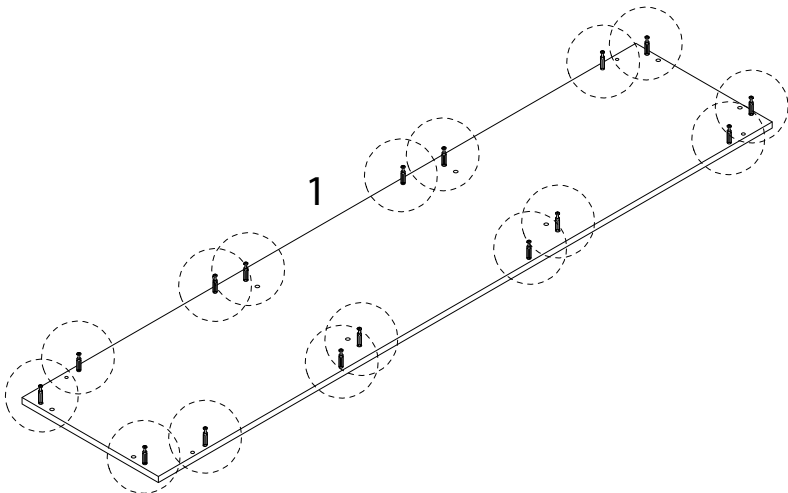


x 1

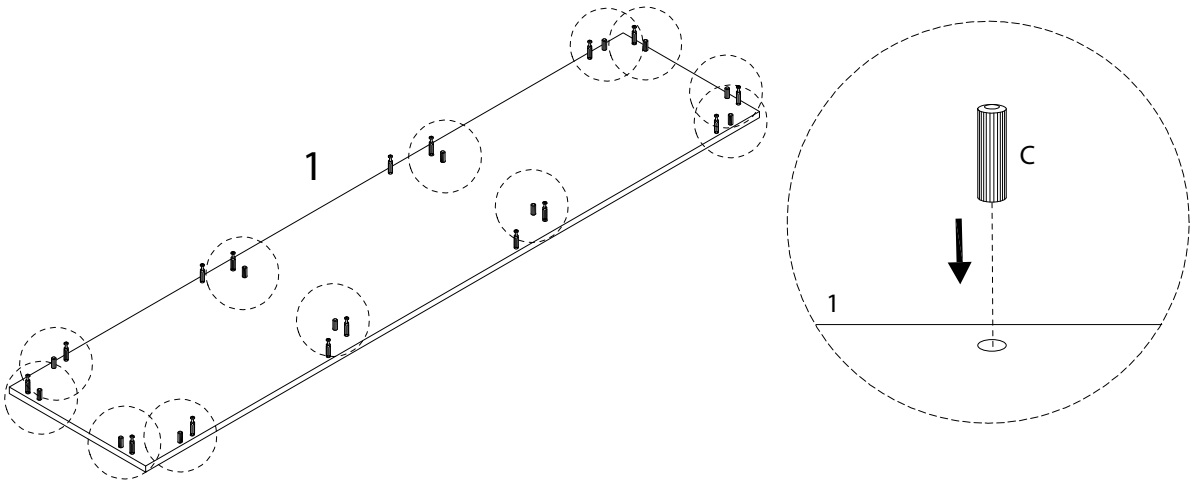
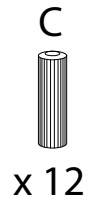
A



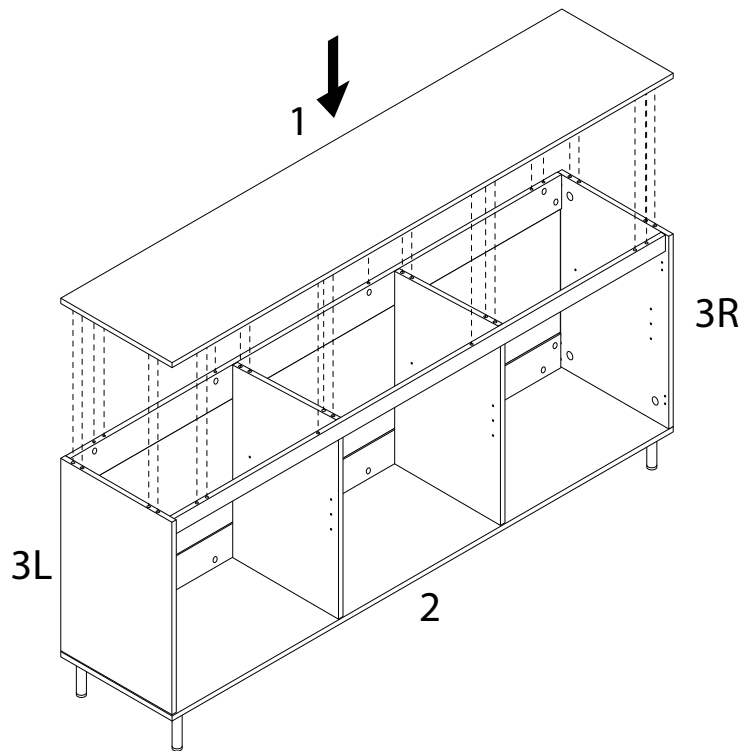
x 16



13



14

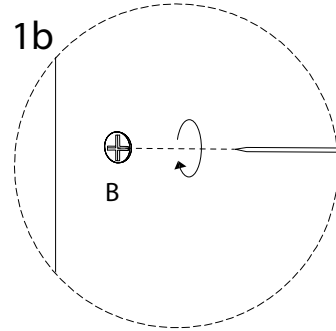
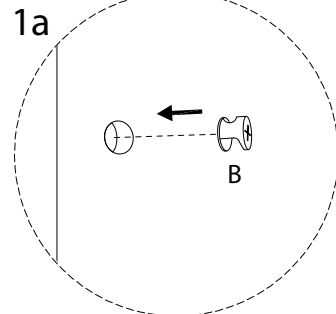
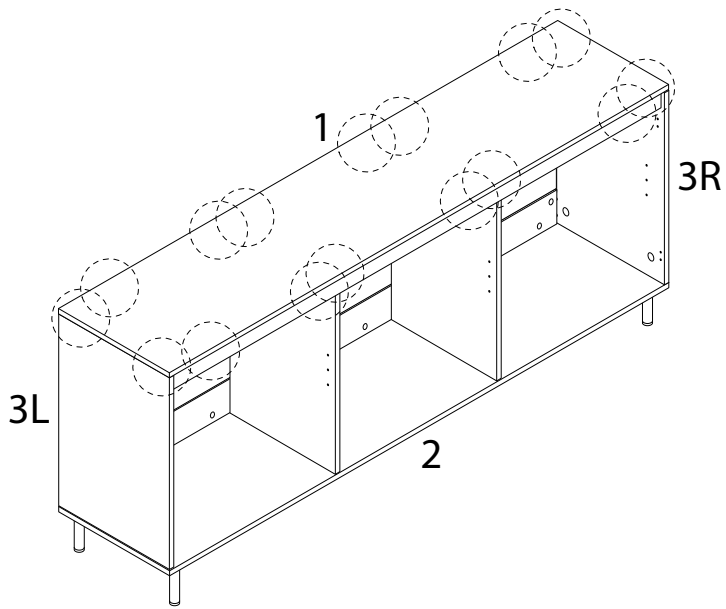


15

B



x 16

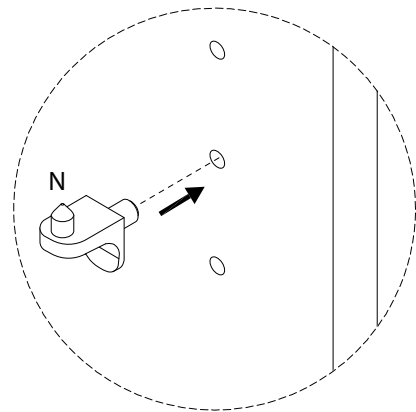
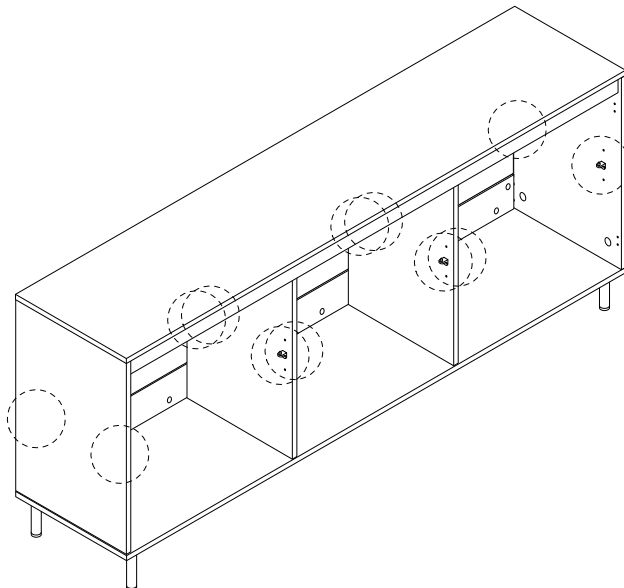


16

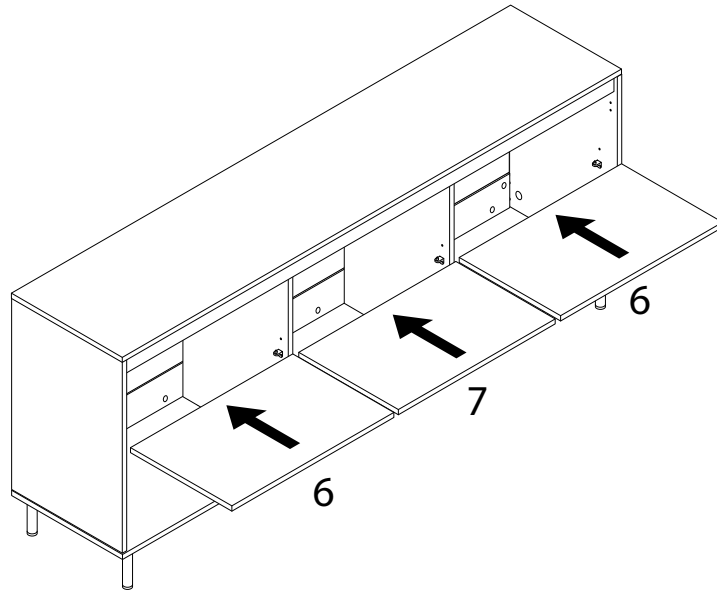
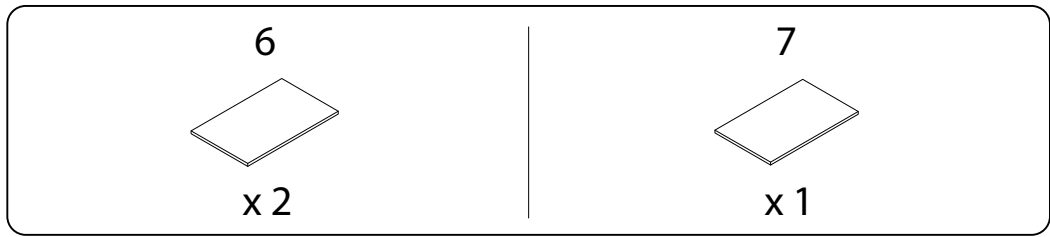
N



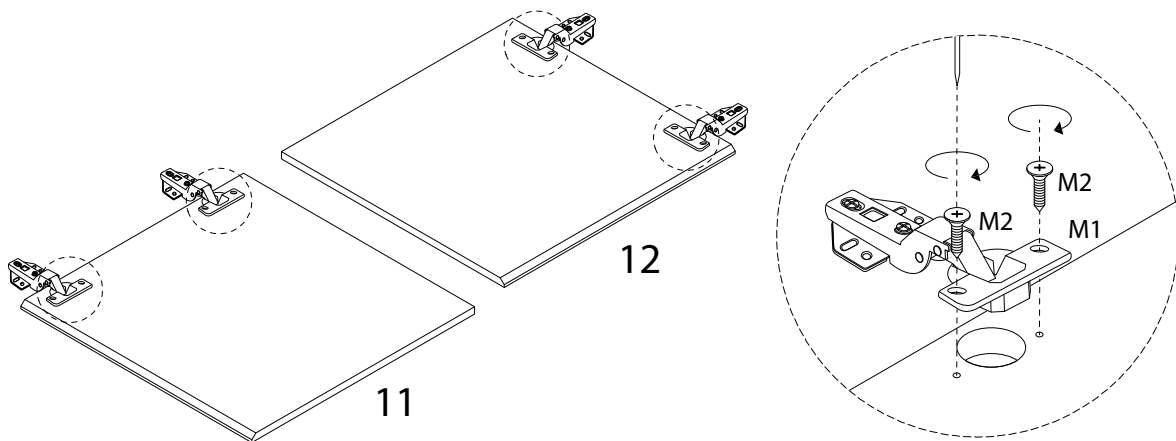
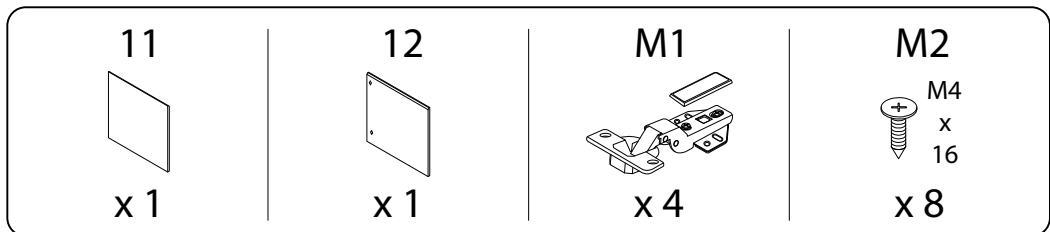
x 12



17



18

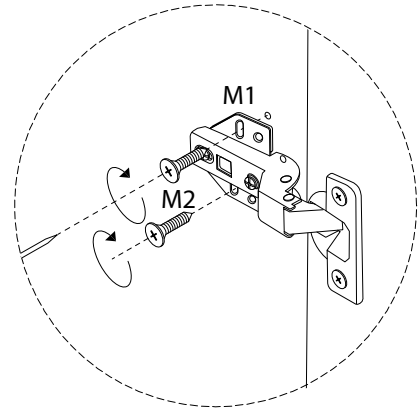
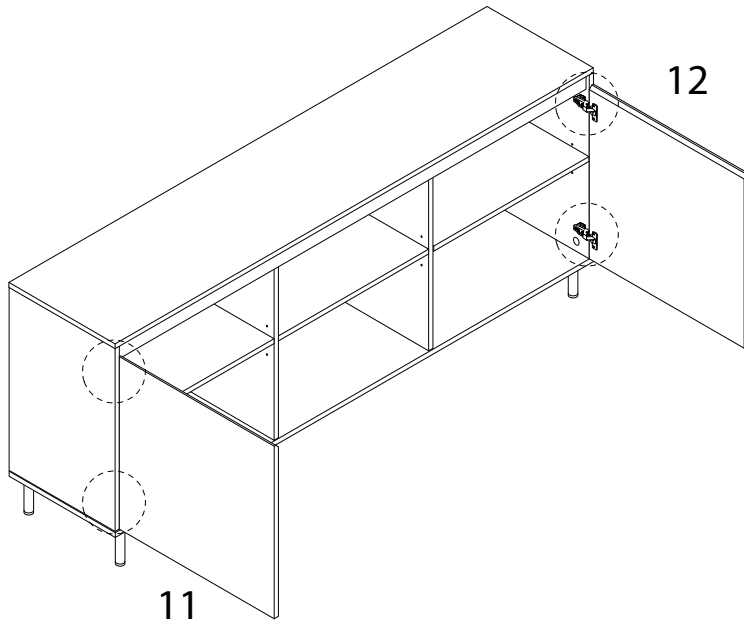


19

M2

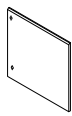


x 8



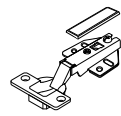
20

12



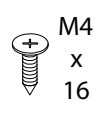
x 1

K1

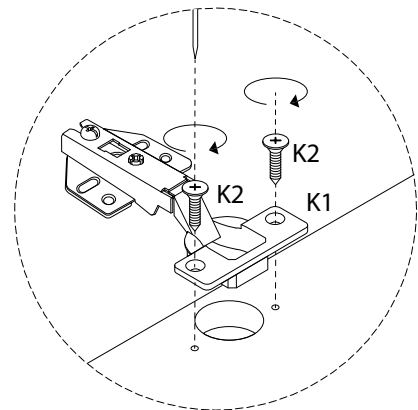
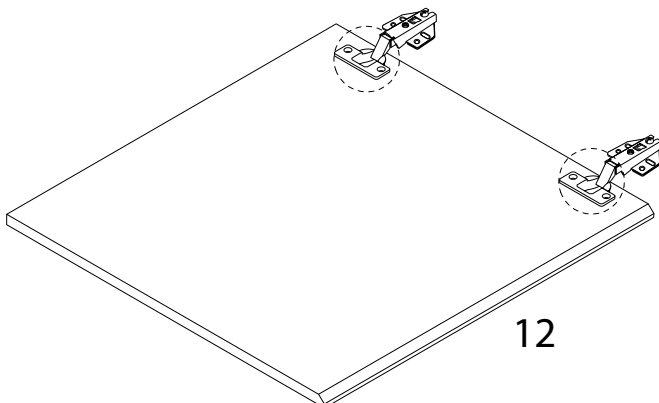


x 2

K2



x 4

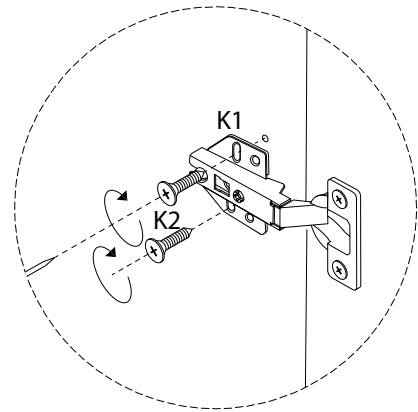
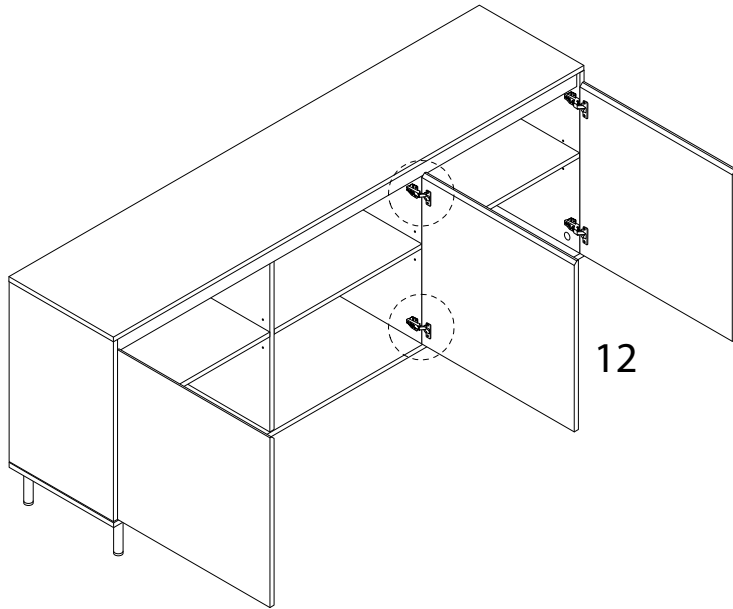


21

K2



x 4

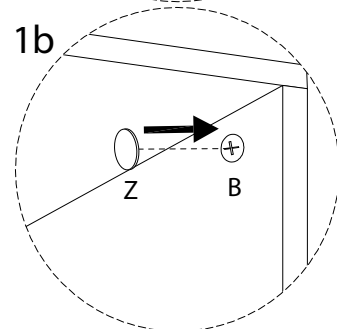
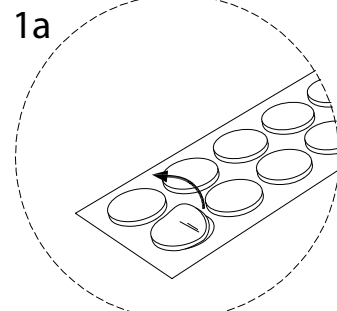
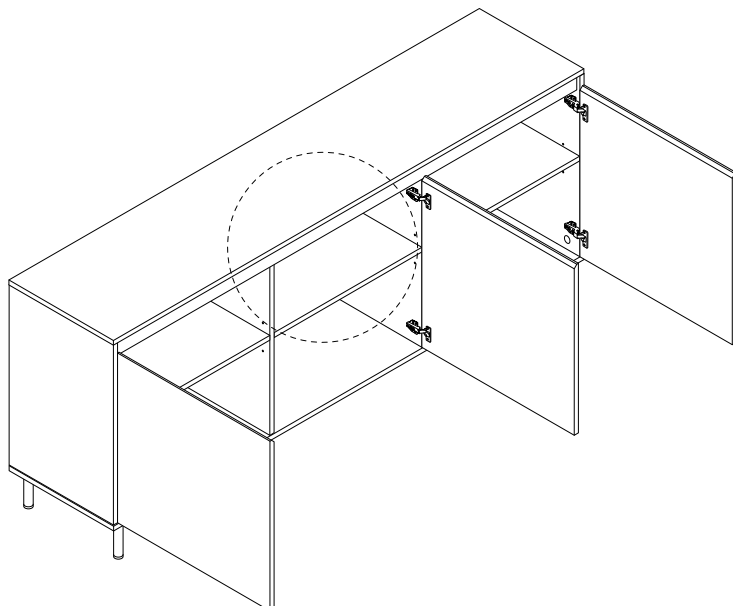


22

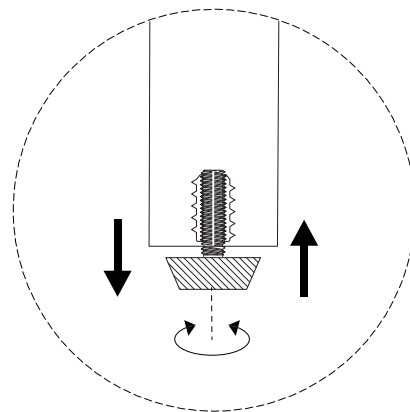
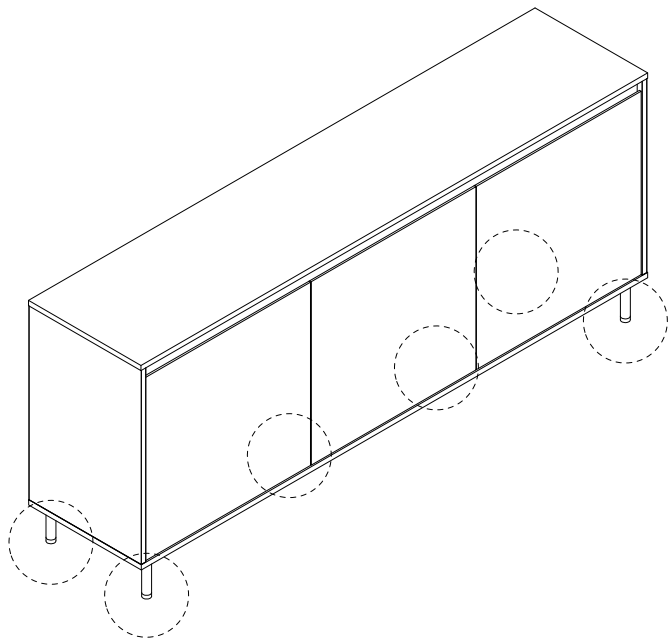
Z



x 32



23



24

