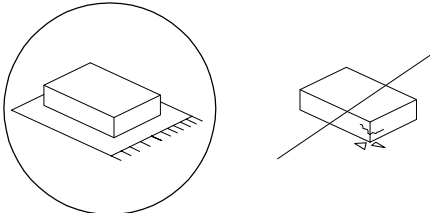
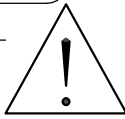
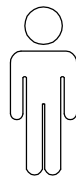
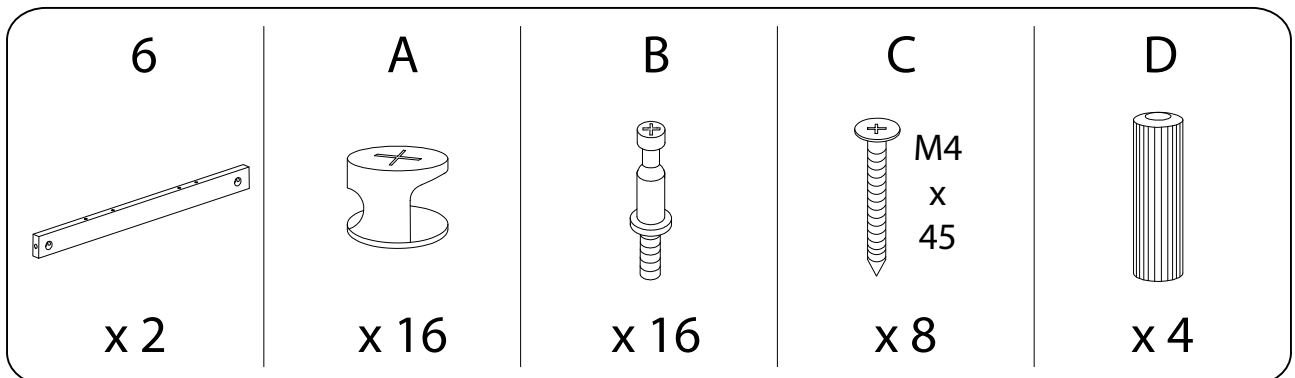
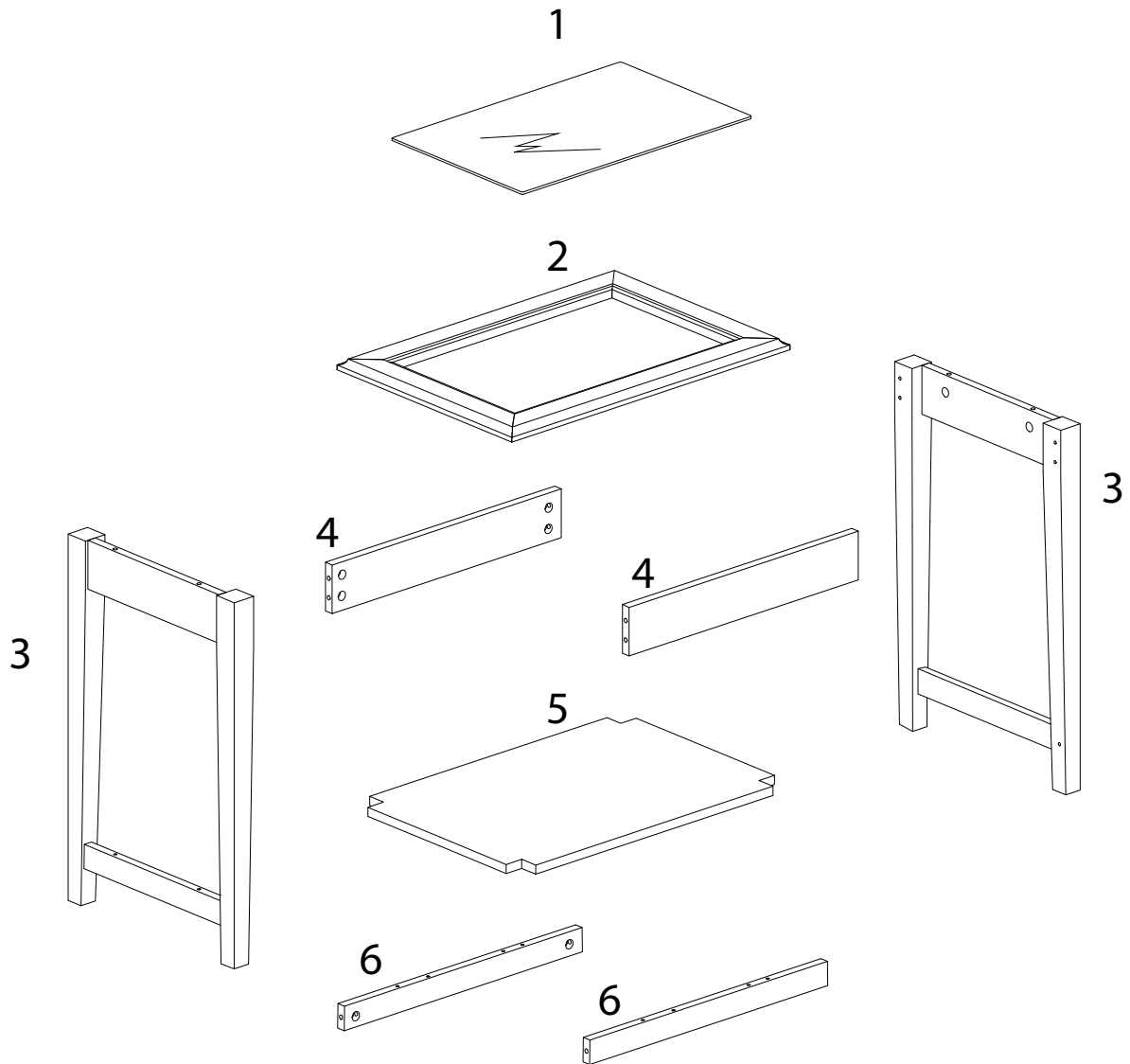
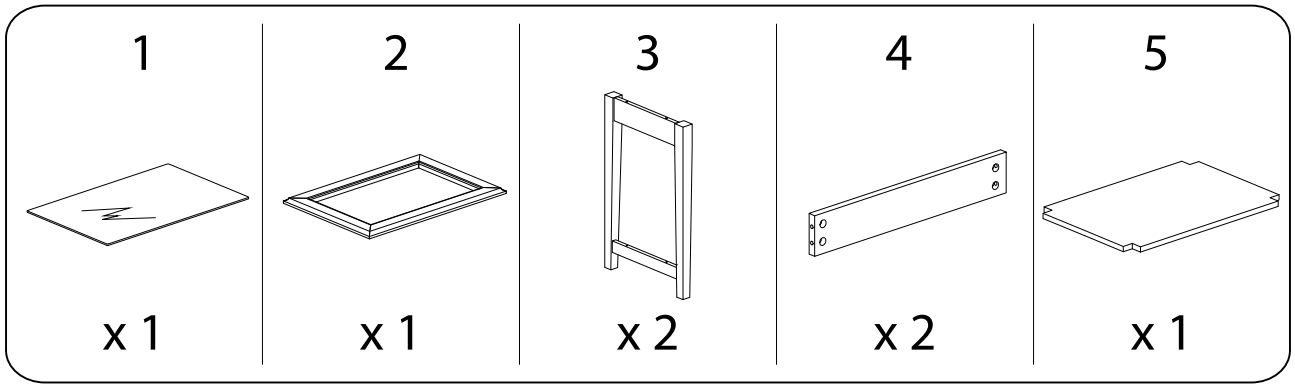
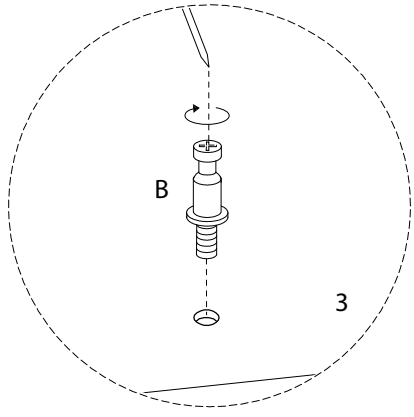
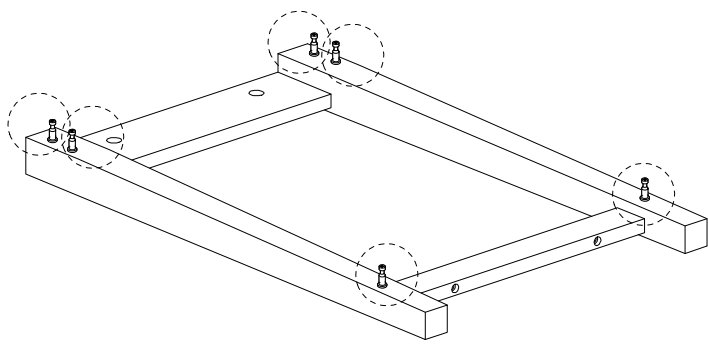
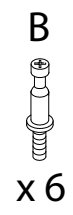
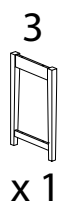
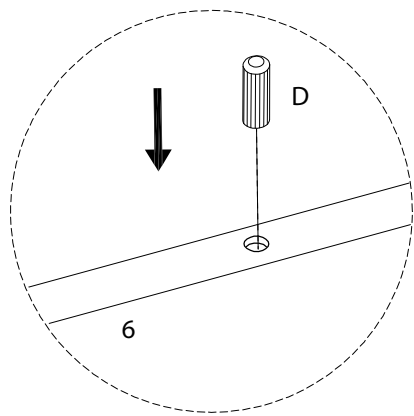
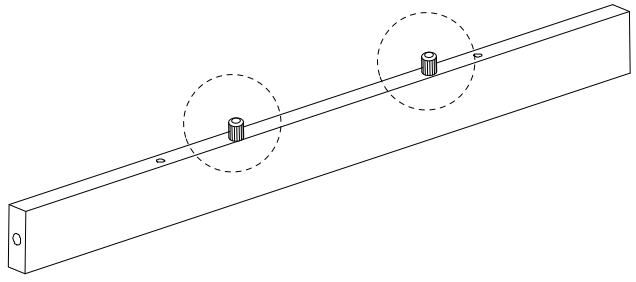
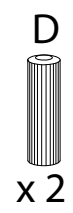
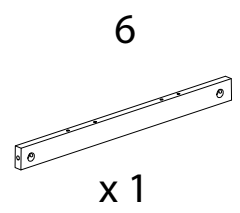

		40'
		
		1



1 x 2

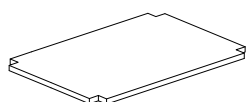


2 x 2



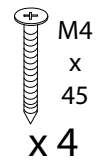
3

5

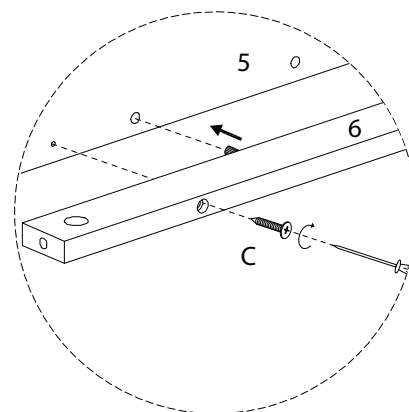
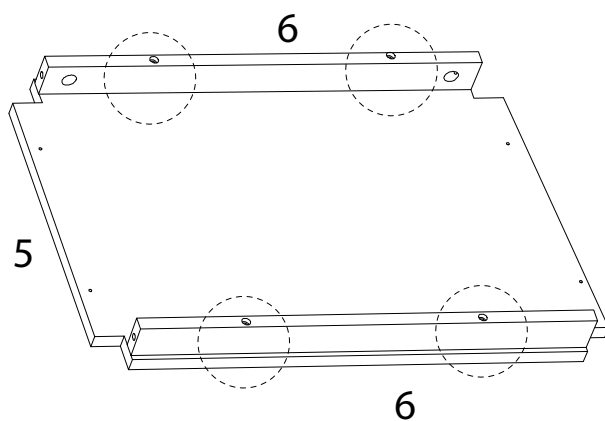


x 1

C

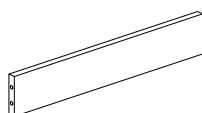


x 4



4

4

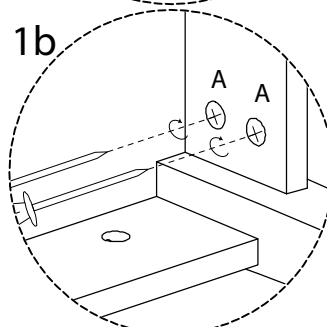
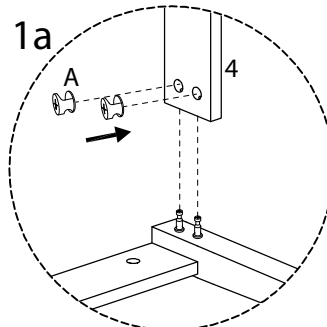
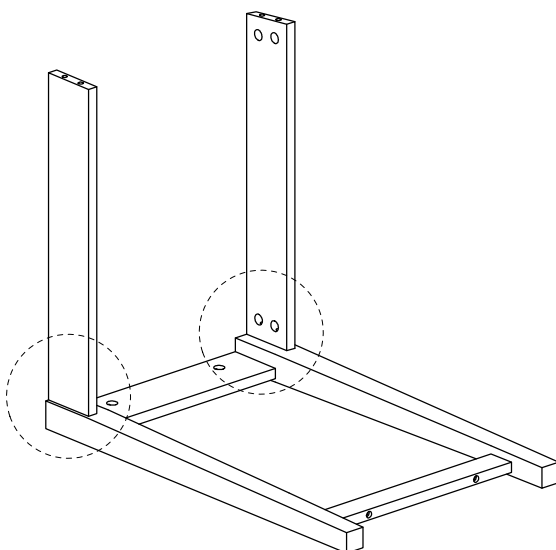


x 2

A



x 4

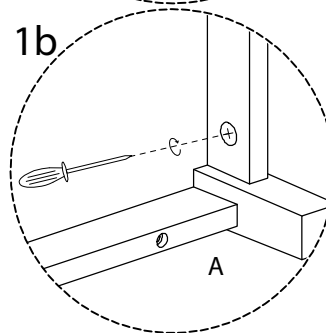
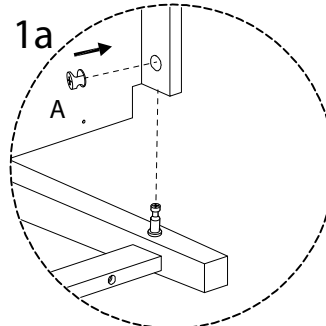
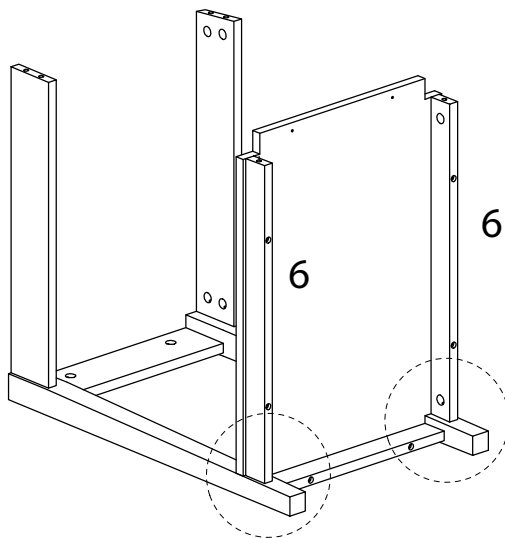


5

A



x 2

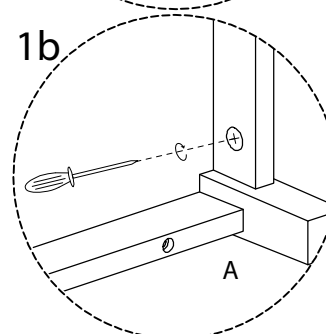
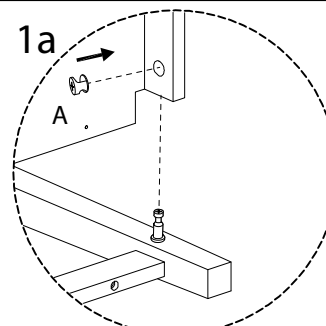
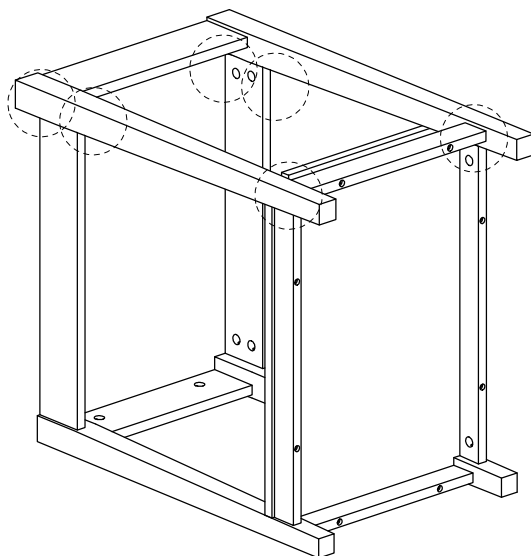


6

A

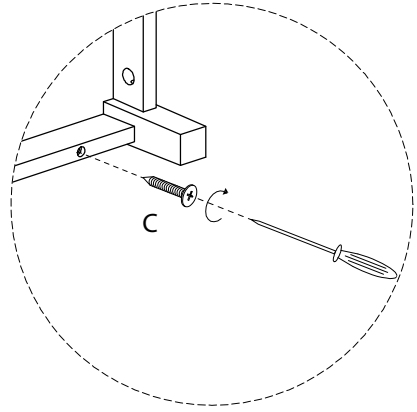
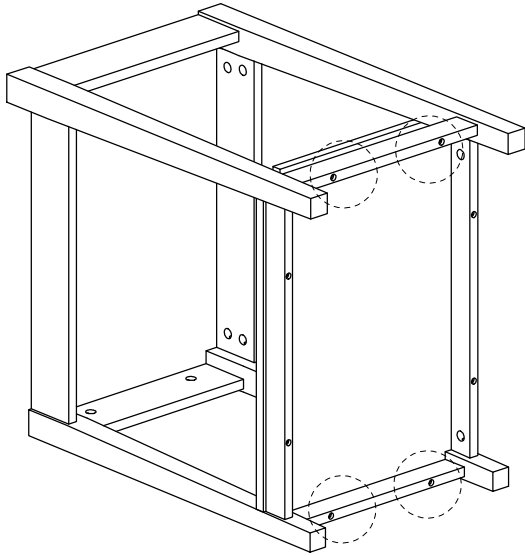


x 6



7

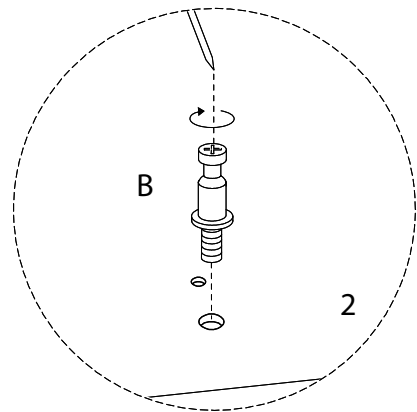
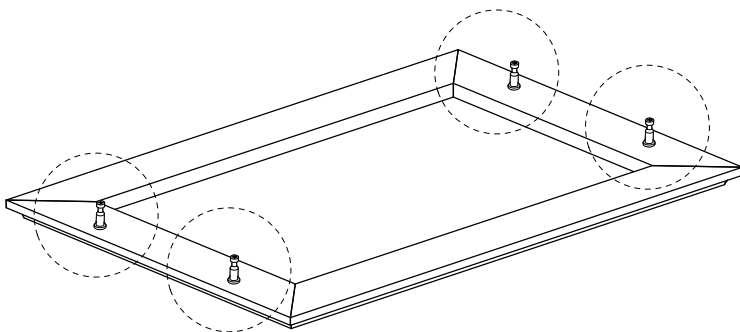
C
M4
x
45
x 4



8

B
x 4

2
x 1

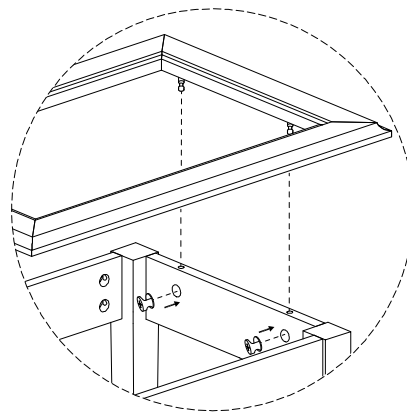
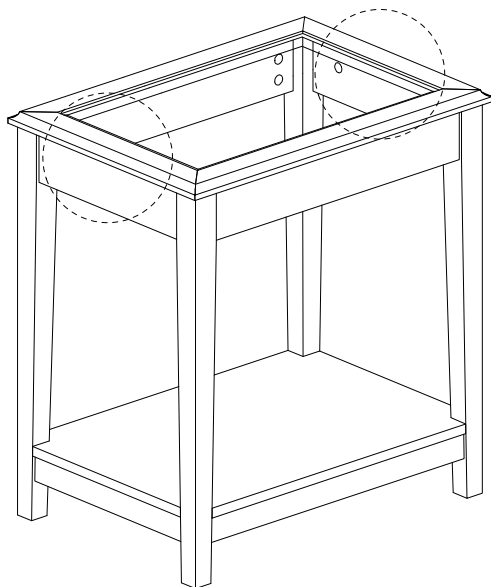


9

A

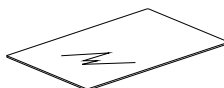


x 4



10

1



x 1

