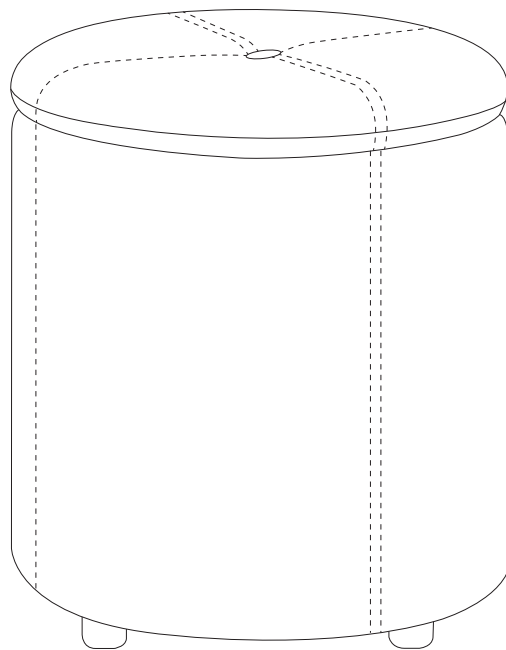


MARYLAND



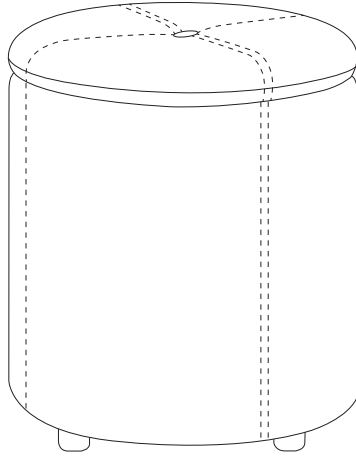
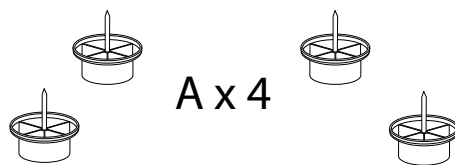
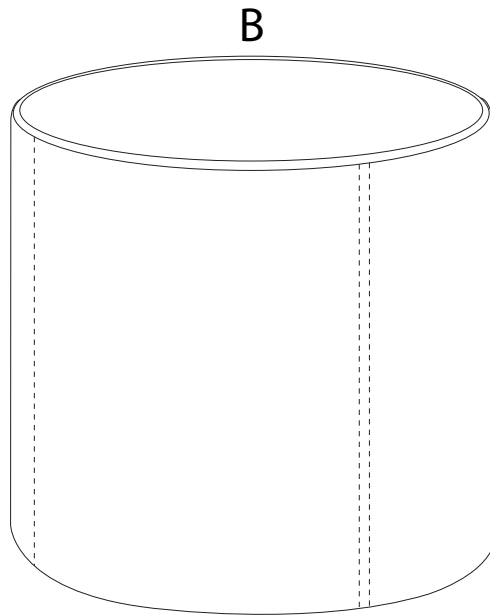
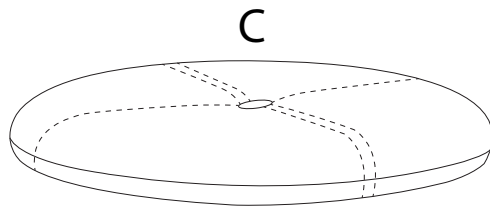


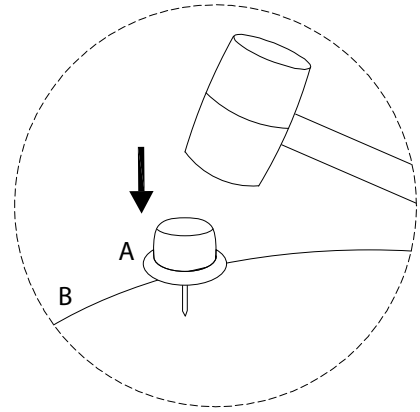
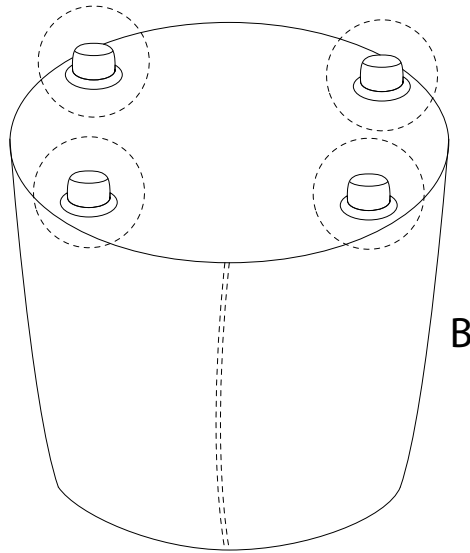
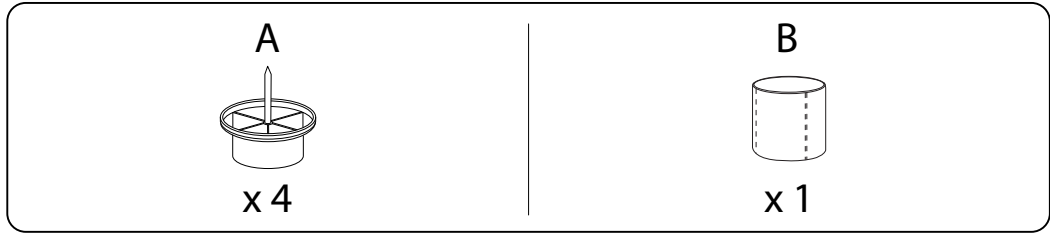
Diagram illustrating assembly instructions and safety warnings:

- Top Section:** Shows a hammer and a power drill with a slash through it, indicating that a power drill should not be used. A warning triangle with an exclamation mark is positioned to the right. Below this is a clock icon with the number '5' underneath, indicating a 5-minute assembly time.
- Bottom Section:** Shows a rectangular block being placed on a textured surface and another block being drilled into. A warning triangle with an exclamation mark is positioned to the right. Below this is a person icon with the number '1' underneath, indicating that one person is required for assembly.



| A | B | C |
|-----|-----|-----|
| | | |
| x 4 | x 1 | x 1 |

1



2

