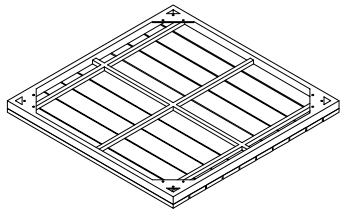
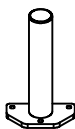


# ASSEMBLE INSTRUCTION



A x 1pcs



B x 4pcs

1/4"\*20



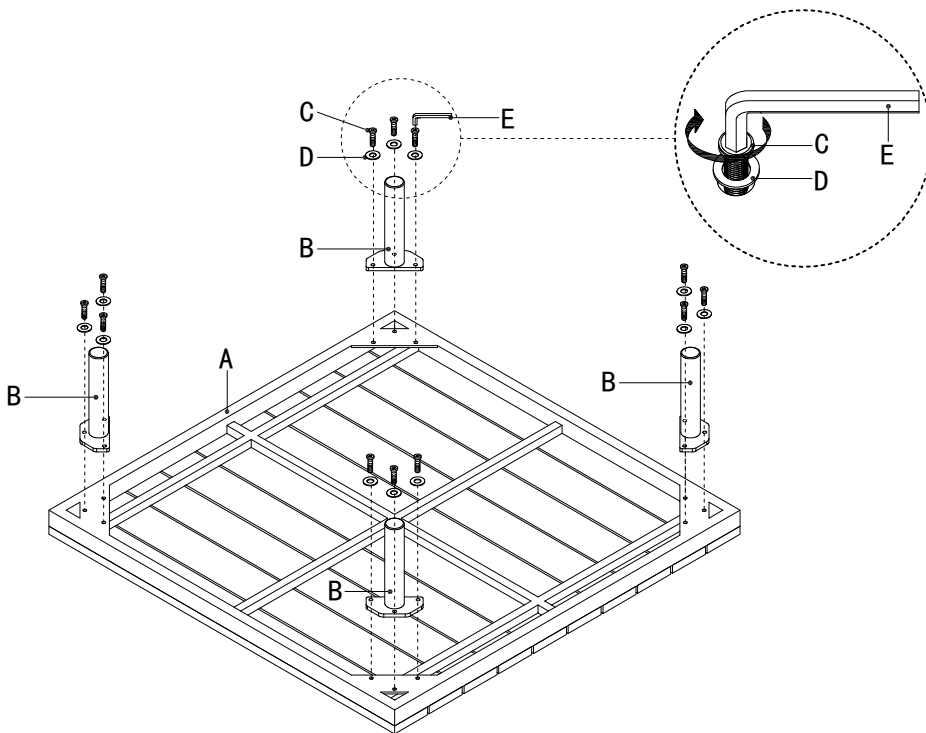
Cx 12pcs



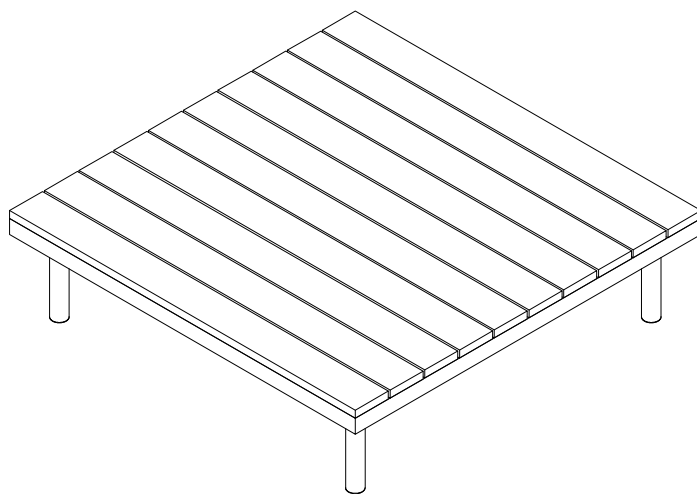
D x 12pcs



E x 1pcs



Step1.



Step2.