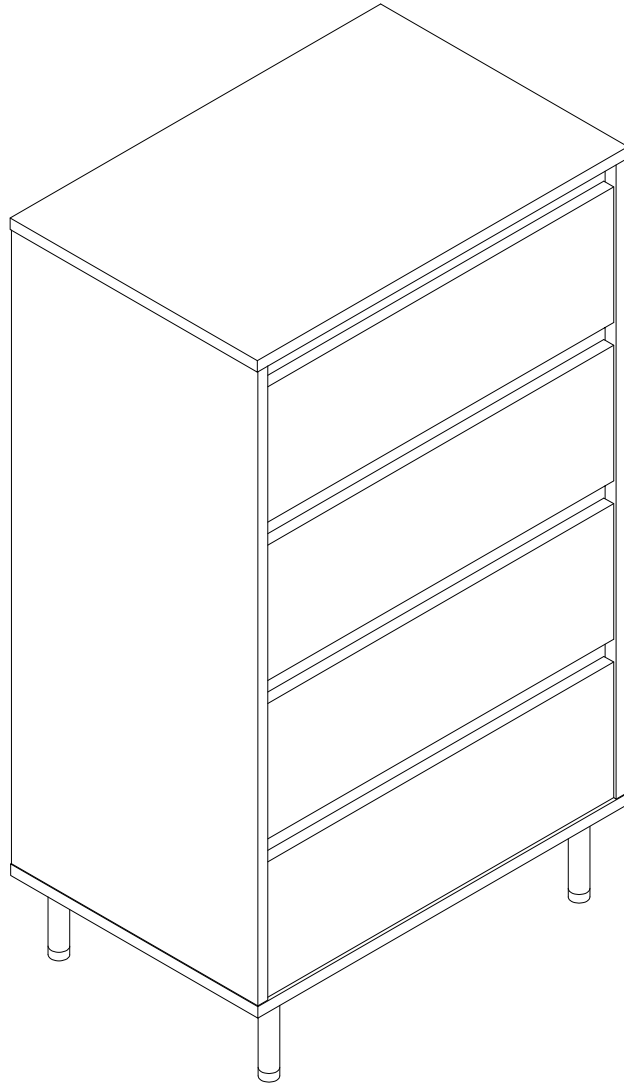
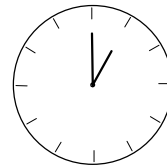
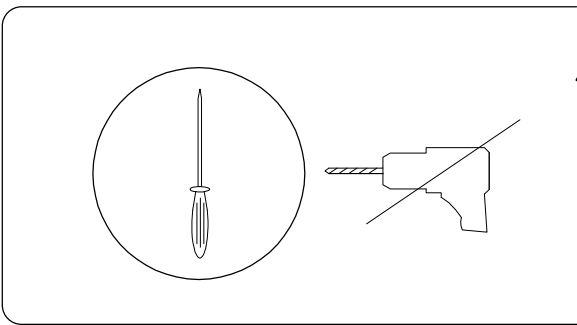
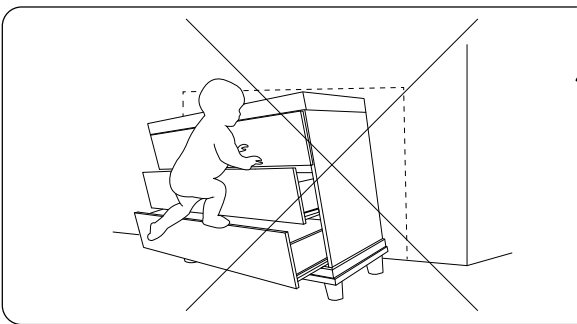
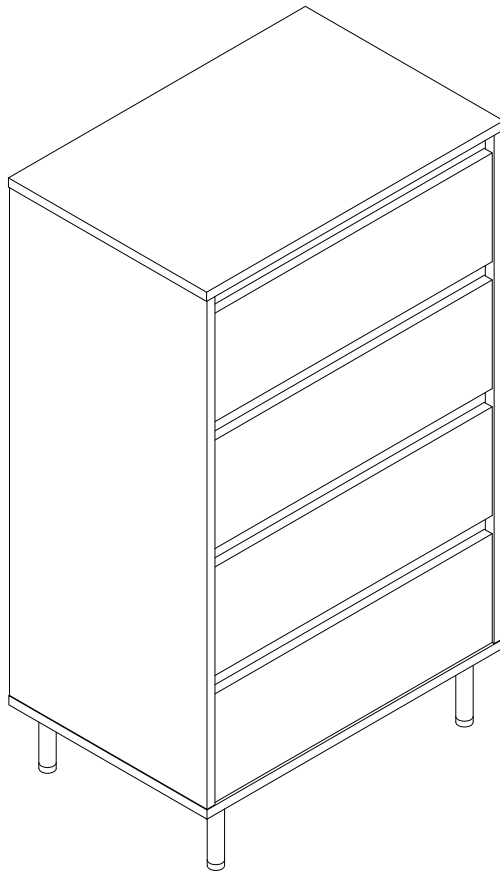
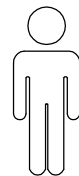
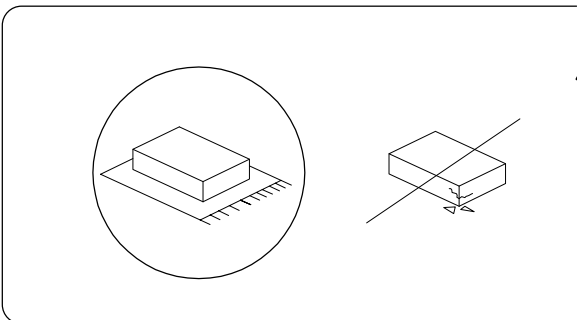


# NIKEA

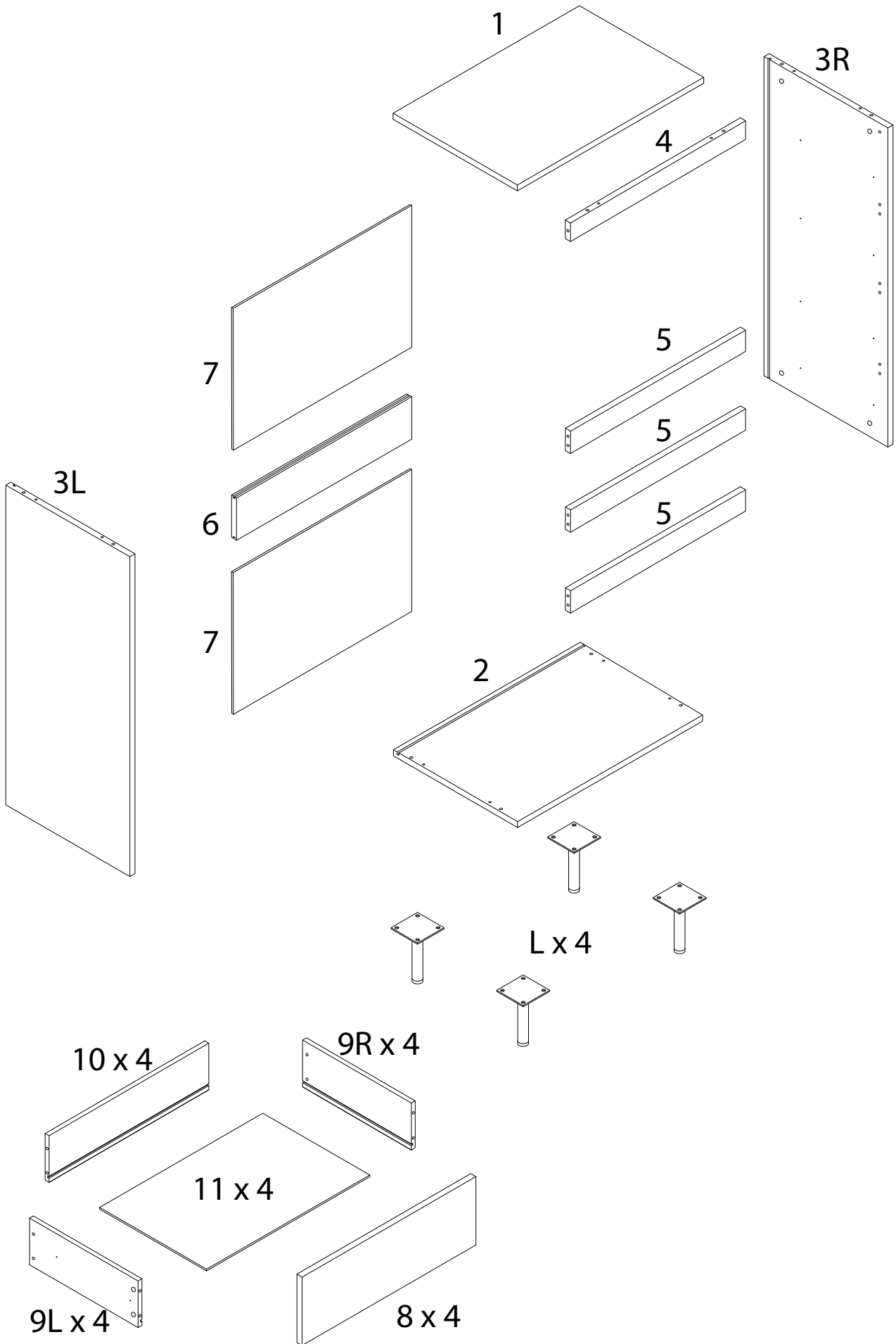




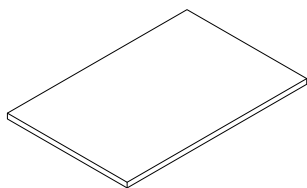
60'



2

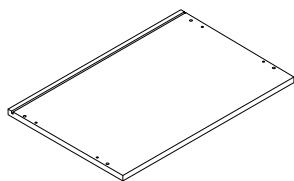


1



x 1

2



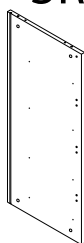
x 1

3L



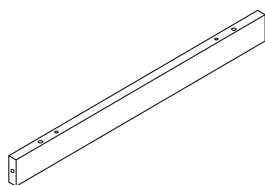
x 1

3R



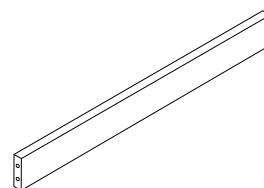
x 1

4



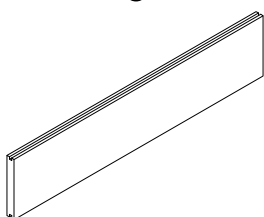
x 1

5



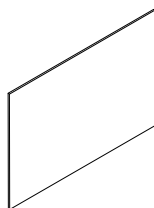
x 3

6



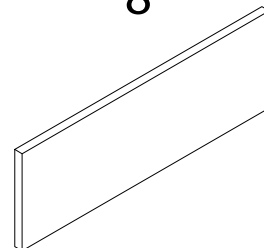
x 1

7



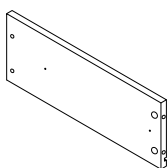
x 2

8



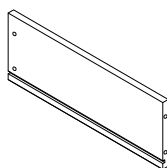
x 4

9L



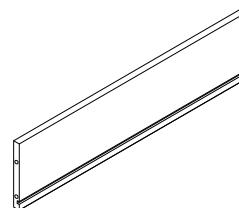
x 4

9R



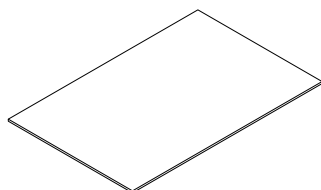
x 4

10



x 4

11



x 4

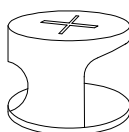
A



x 20

B

Ø15



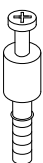
x 20

C



x 18

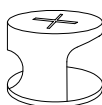
D1



x 16

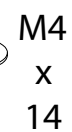
D2

Ø12



x 16

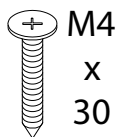
E



M4  
x  
14

x 48

F



M4  
x  
30

x 16

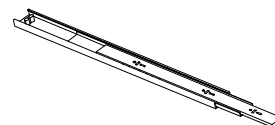
I



M6  
x  
12

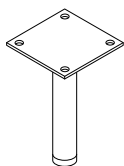
x 16

K



x 8

L



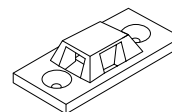
x 4

P1



x 4

P2



x 4

P3



M4  
x  
38

x 4

P4



M3  
x  
12

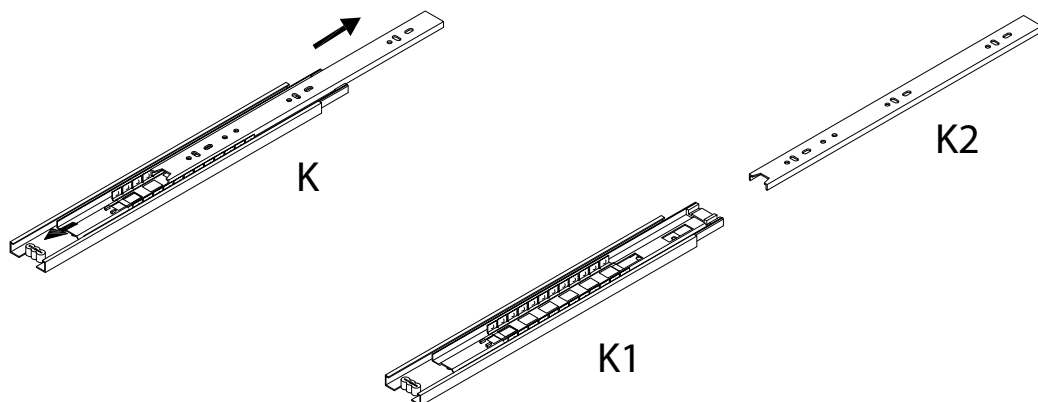
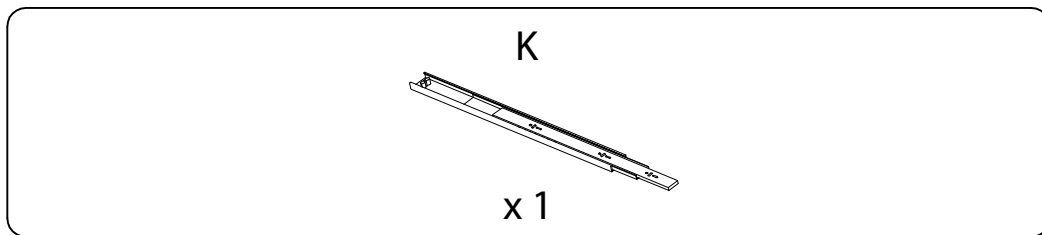
x 4

P5

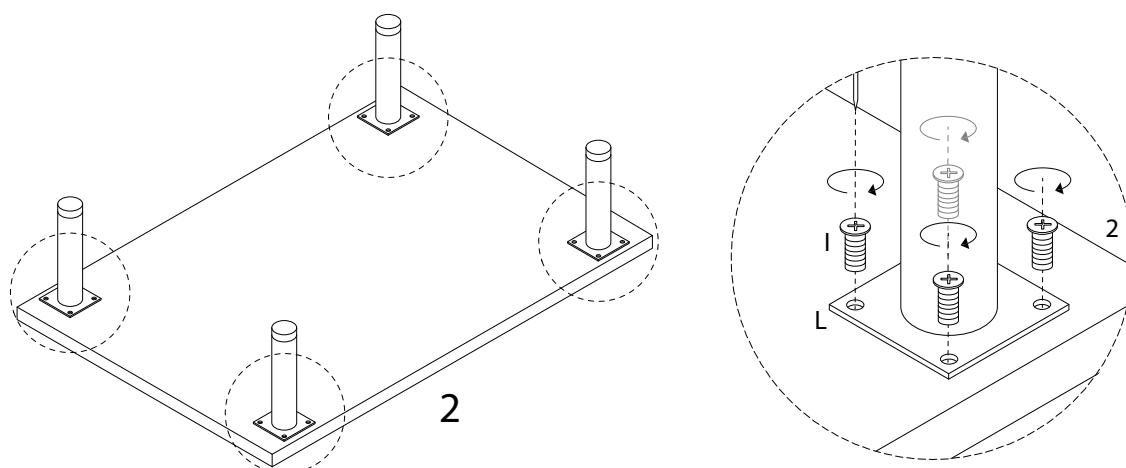
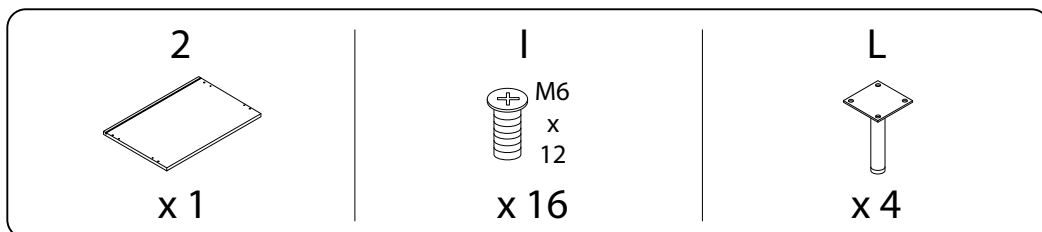


x 2

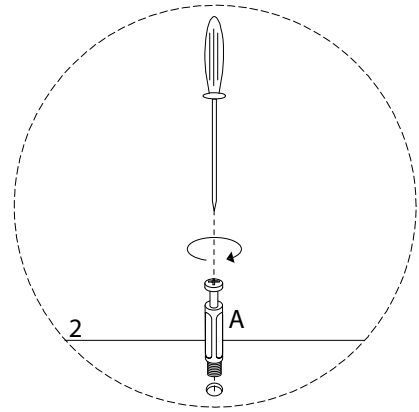
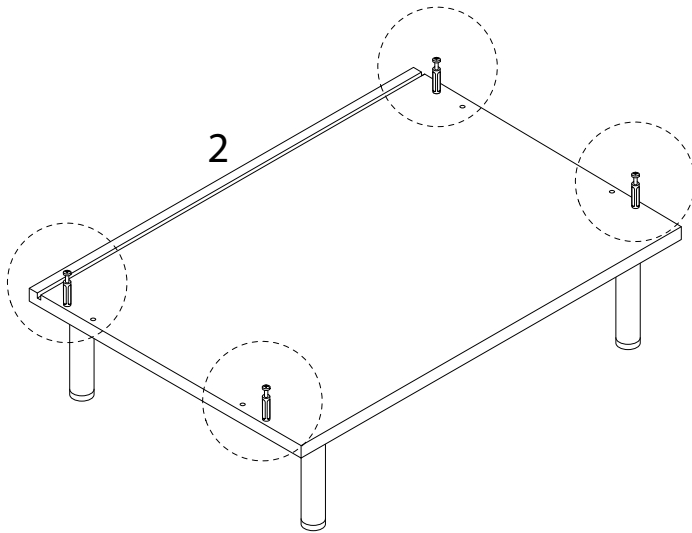
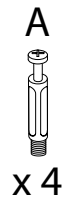
1 x 8



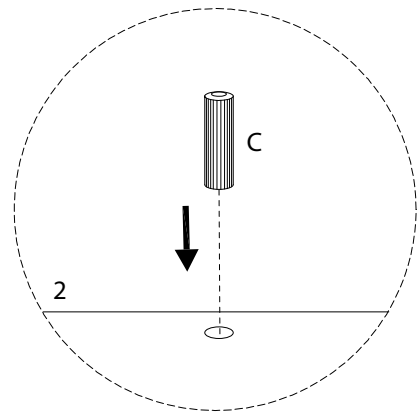
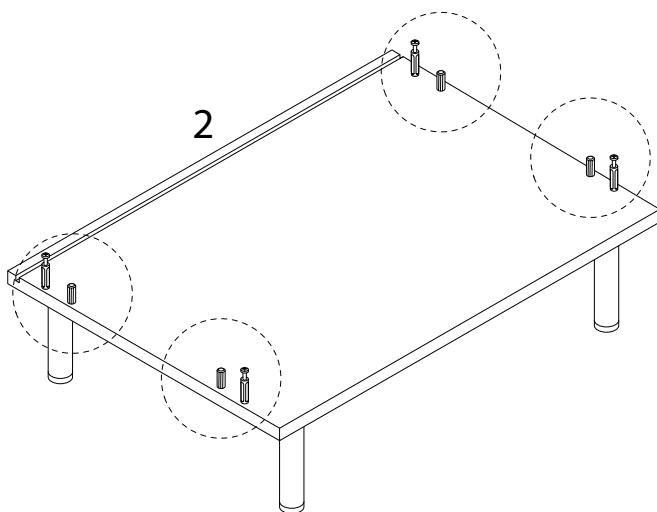
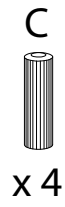
2



3



4



5

3L



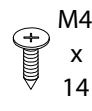
x 1

3R



x 1

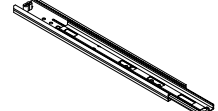
E



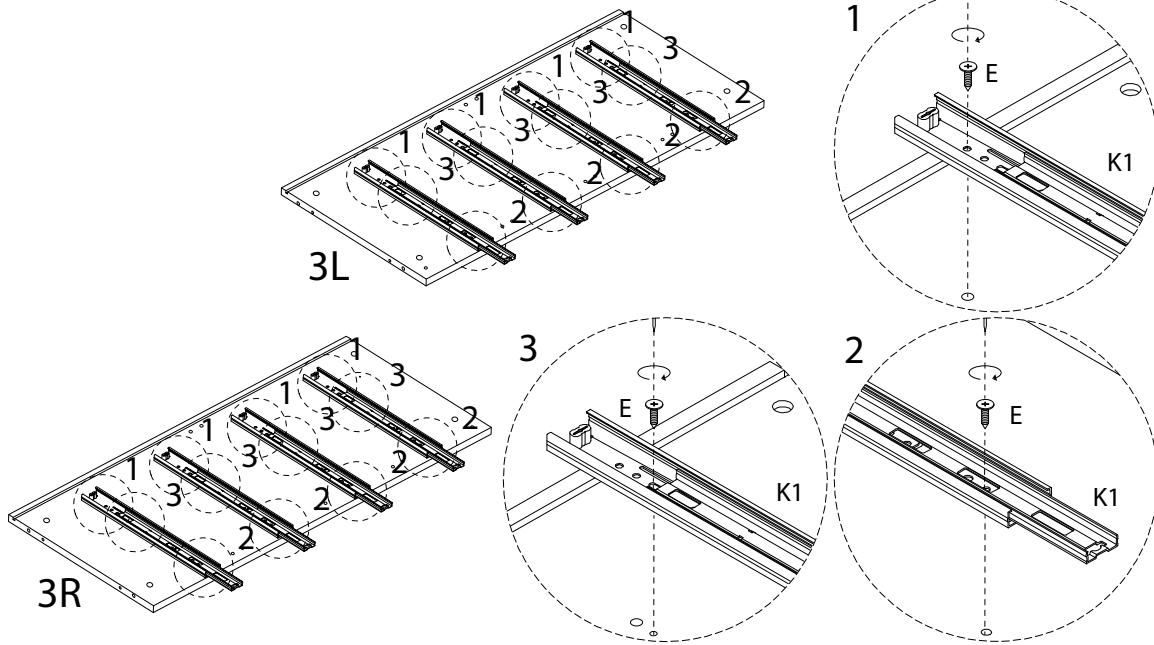
M4  
x  
14

x 24

K1



x 8

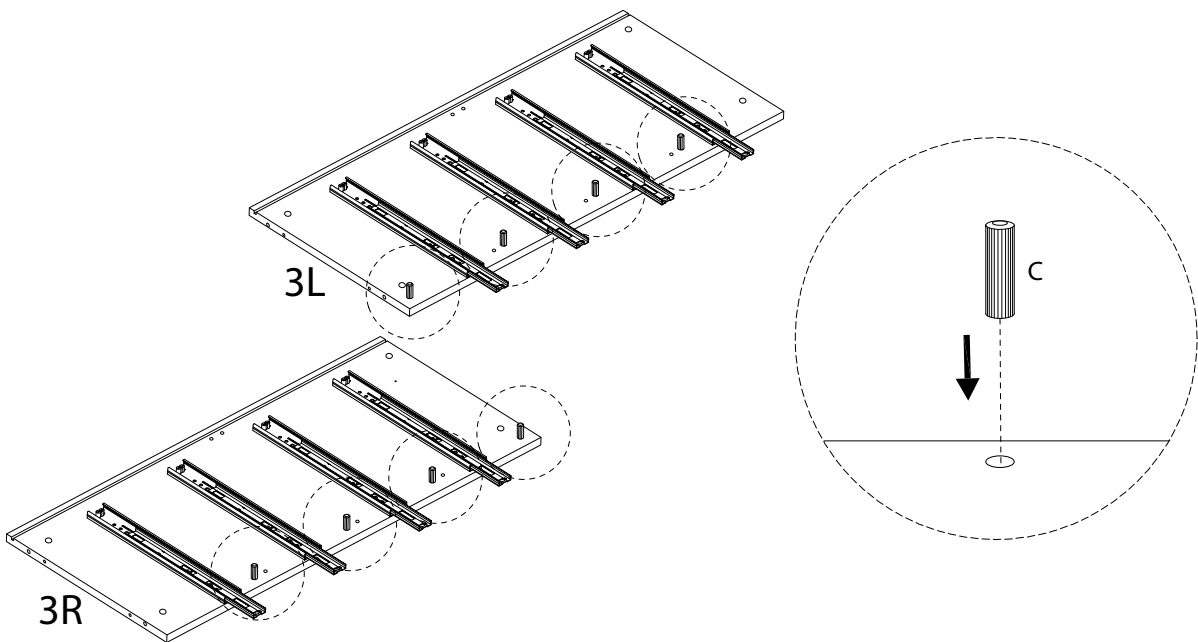


6

C

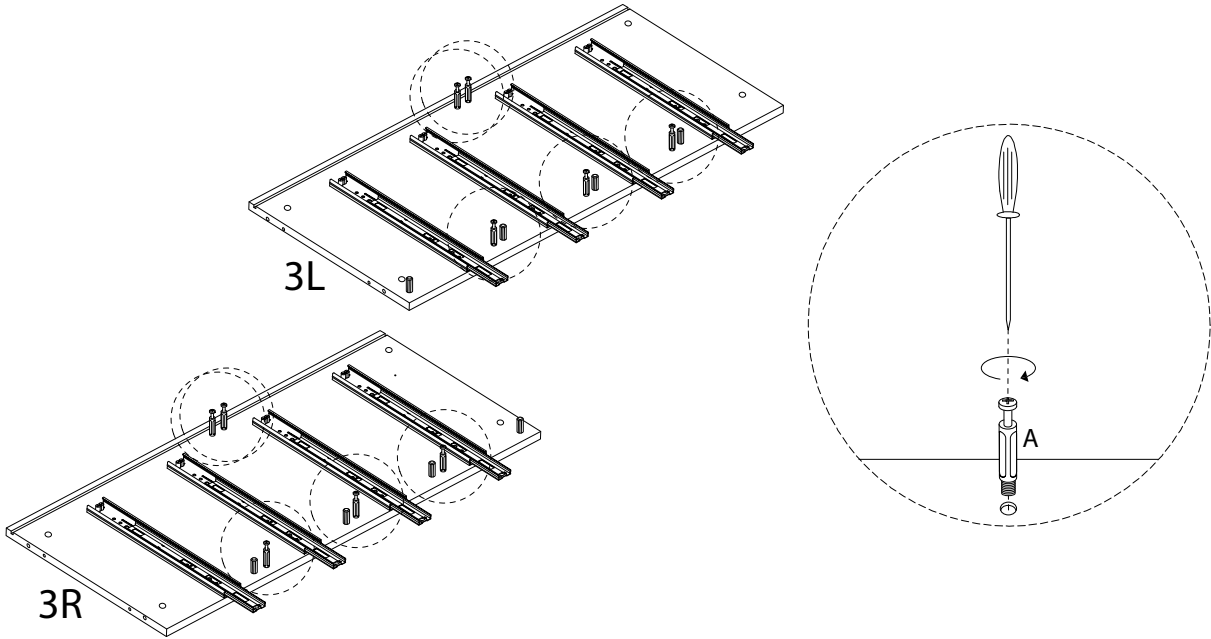
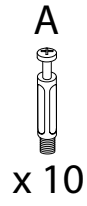


x 8

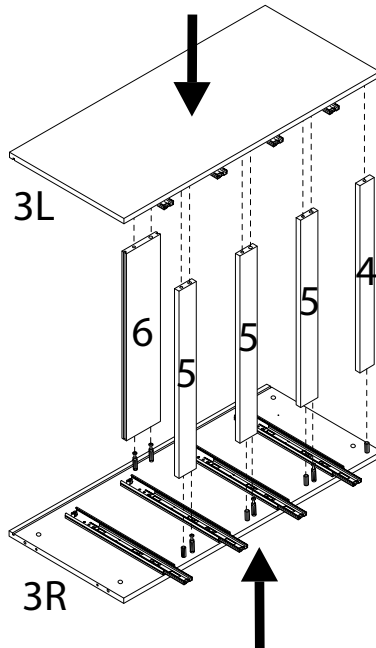
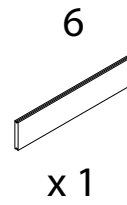
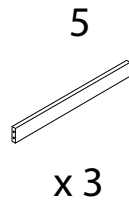
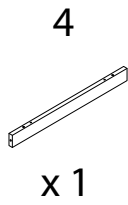




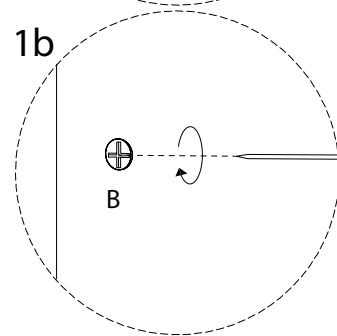
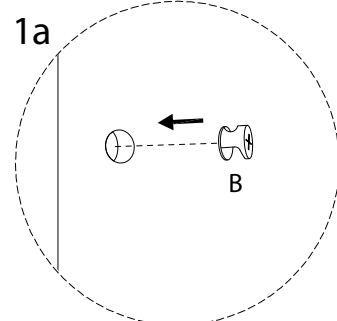
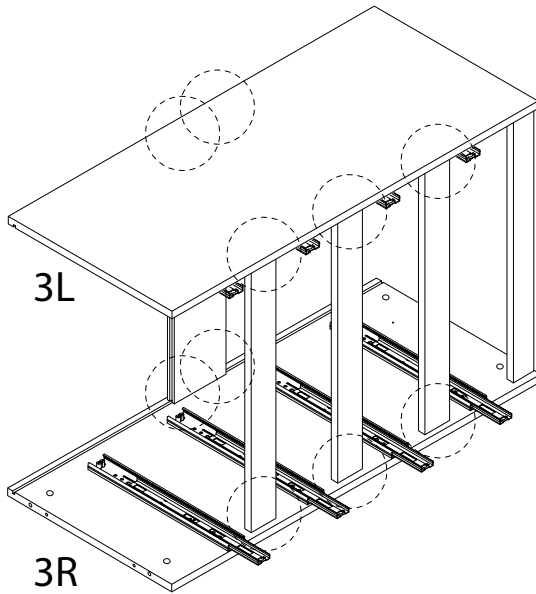
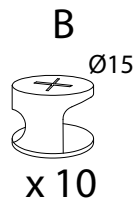
7



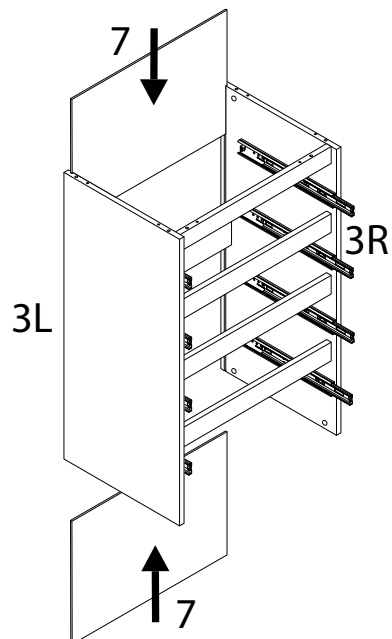
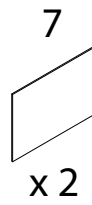
8



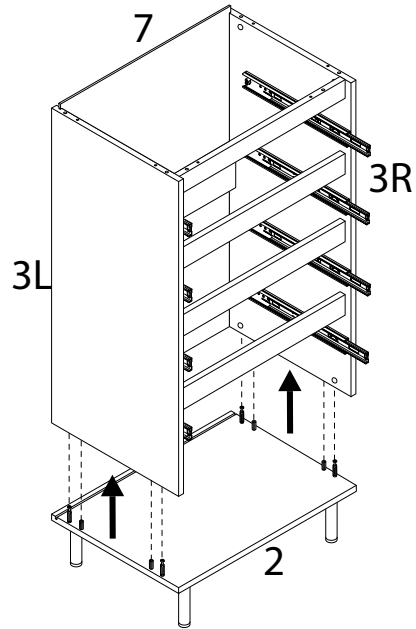
9



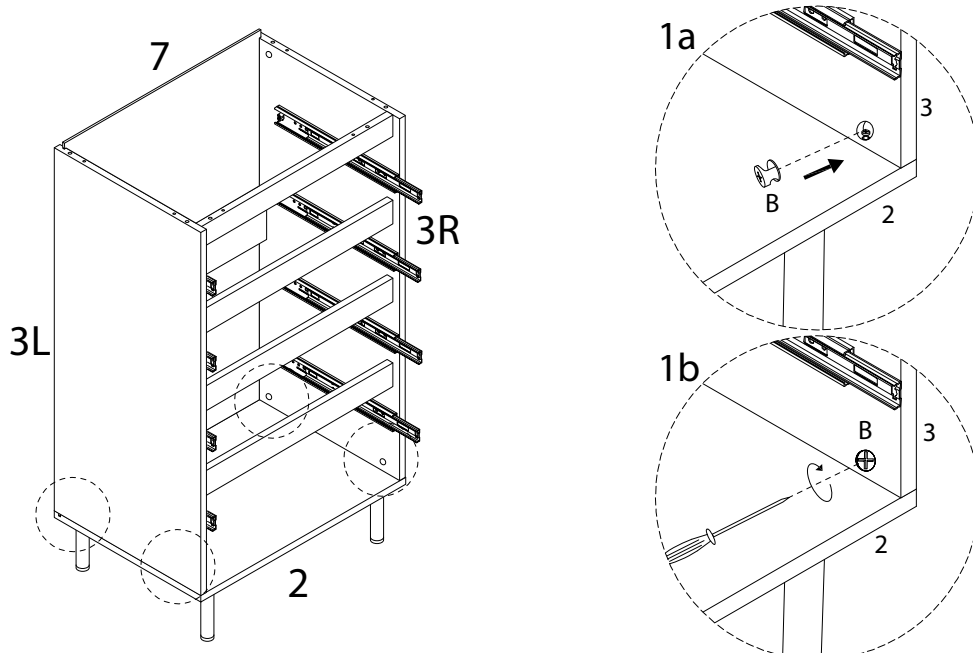
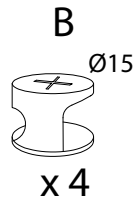
10



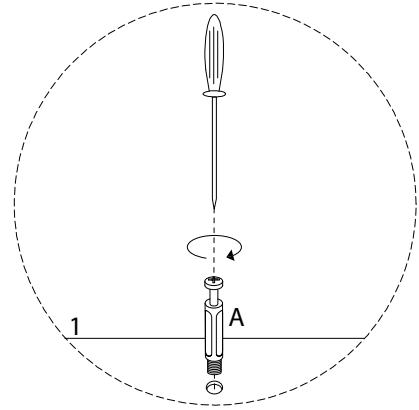
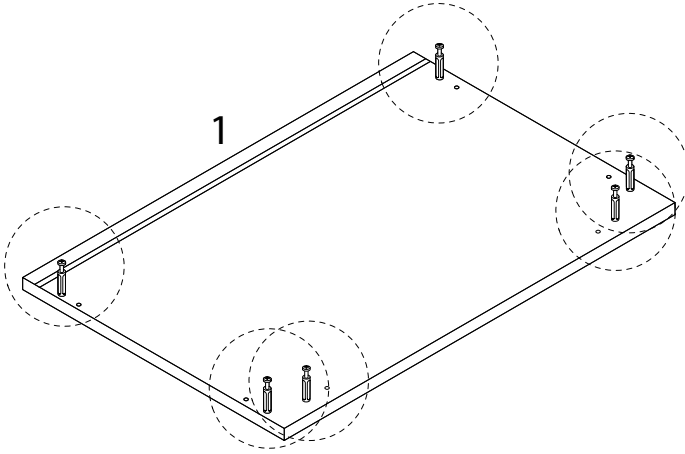
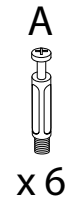
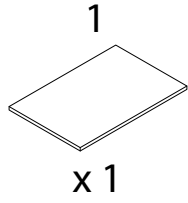
11



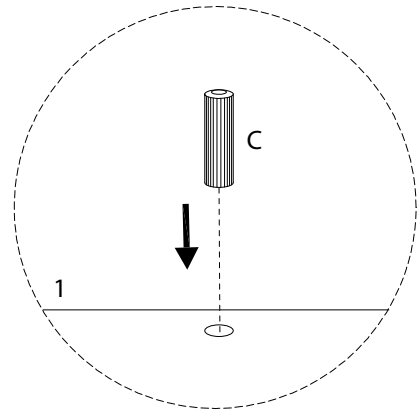
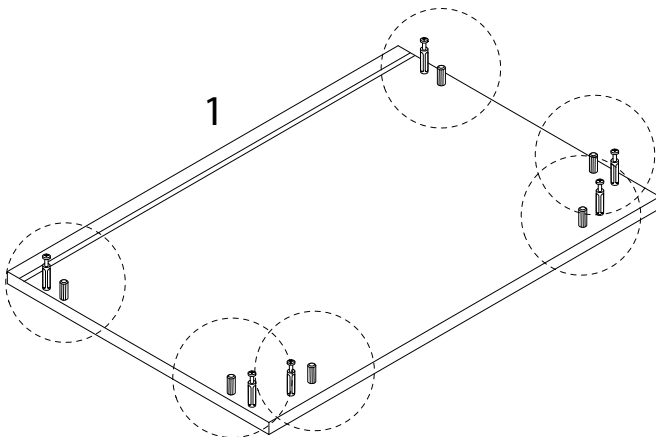
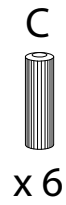
12



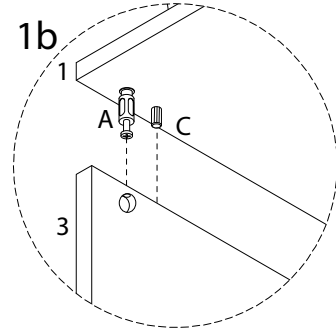
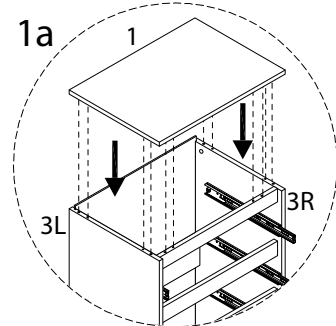
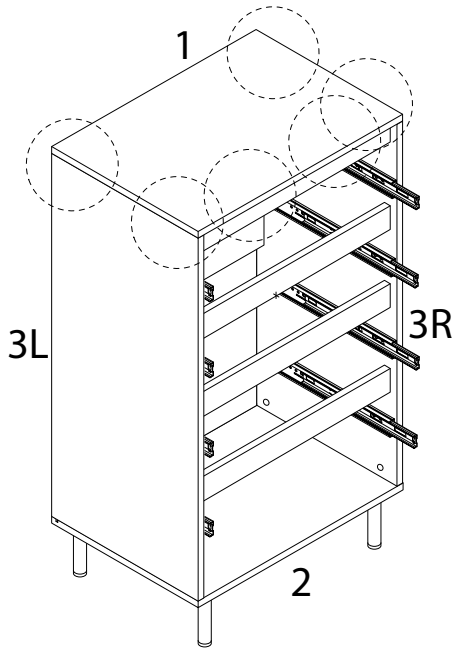
13



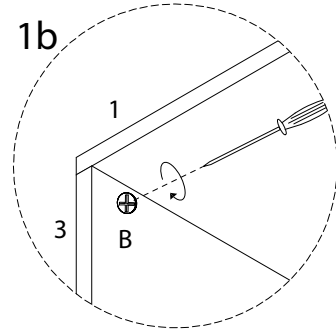
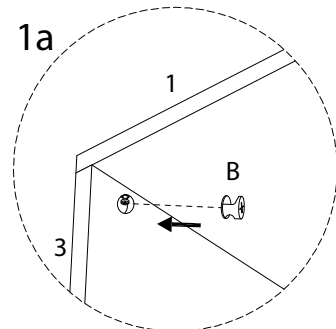
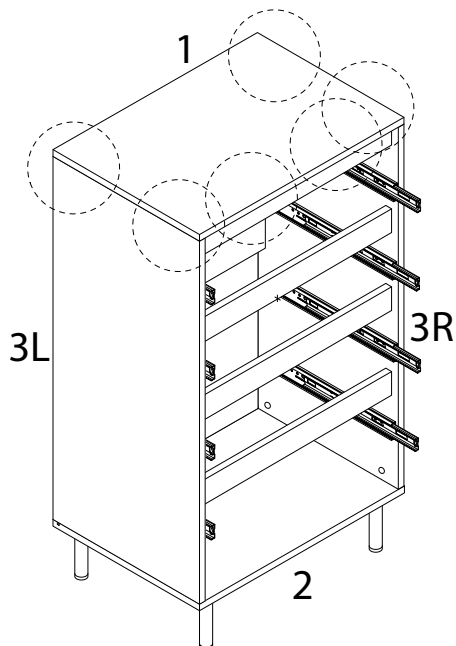
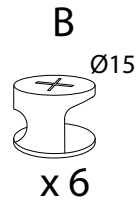
14



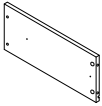


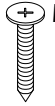
15

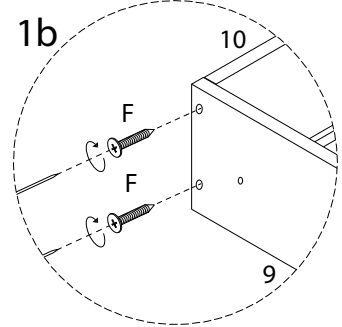
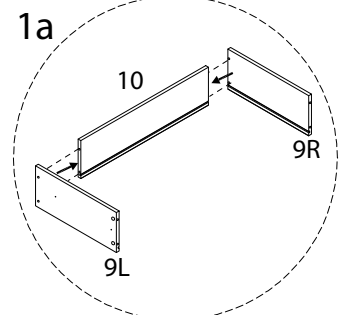
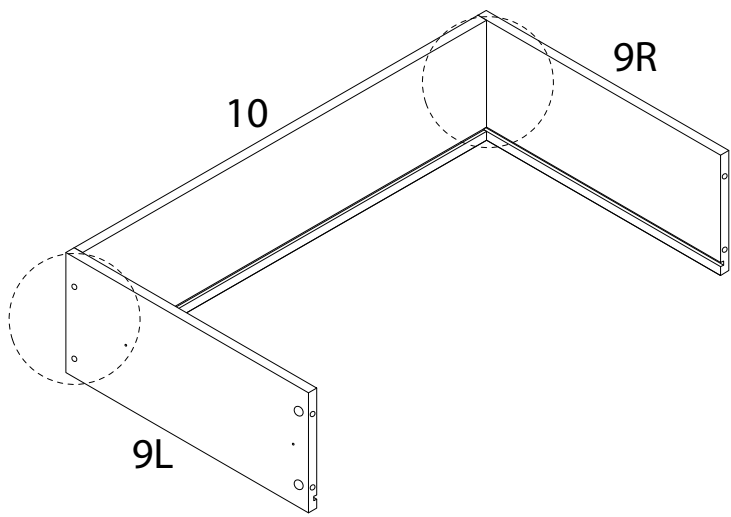


16

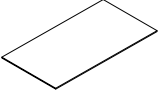


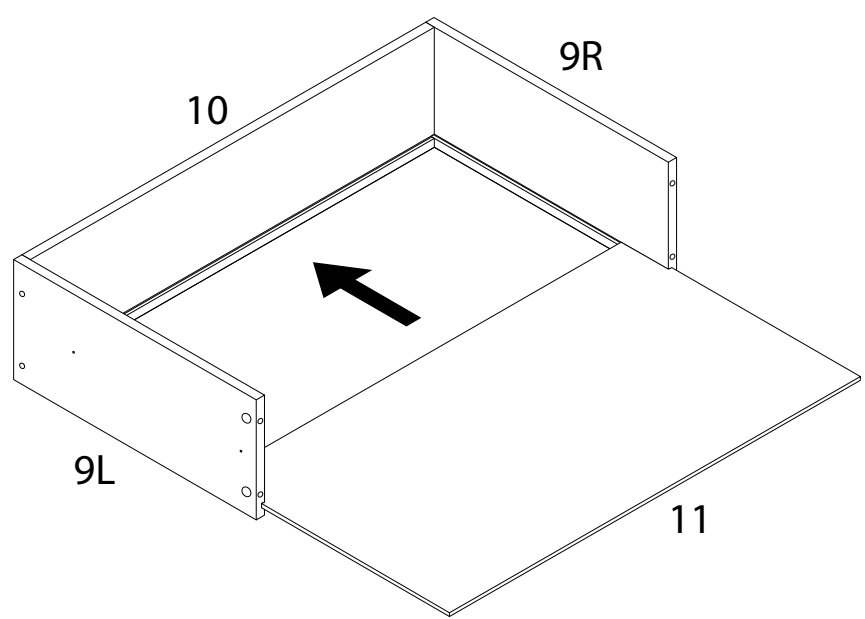
17 x 4

<p>9L</p>  <p>x 1</p>	<p>9R</p>  <p>x 1</p>	<p>10</p>  <p>x 1</p>	<p>F</p>  <p>M4 x 30</p> <p>x 4</p>
--	--	---	--

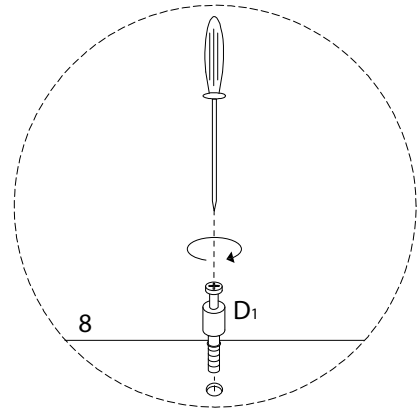
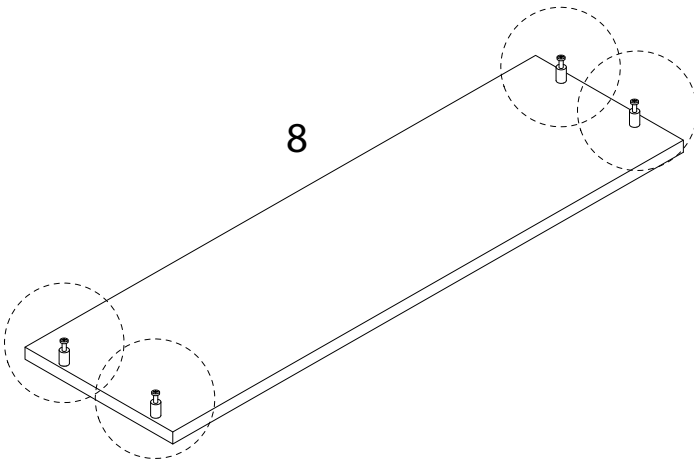
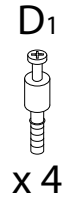
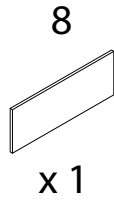


18 x 4

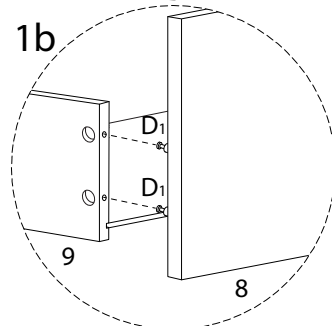
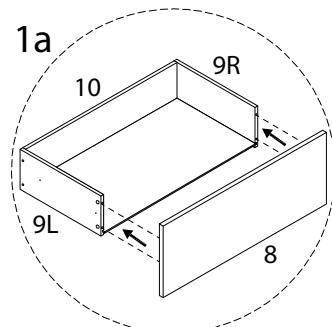
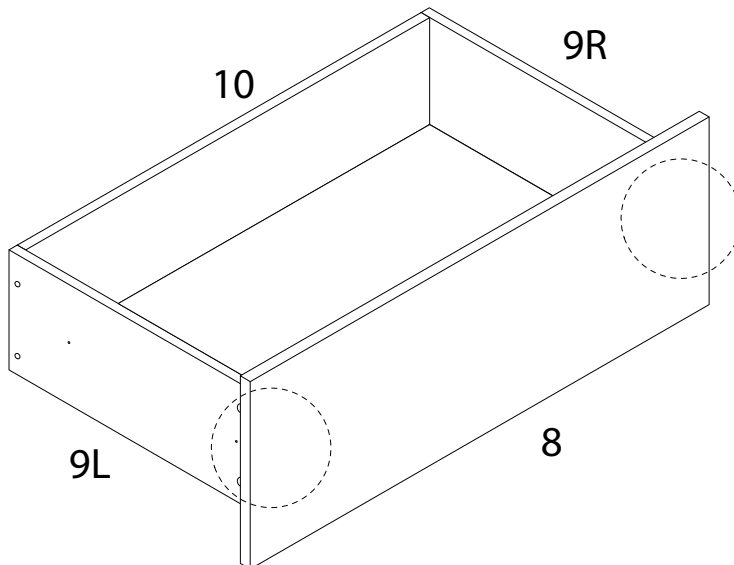
<p>11</p>  <p>x 1</p>
--



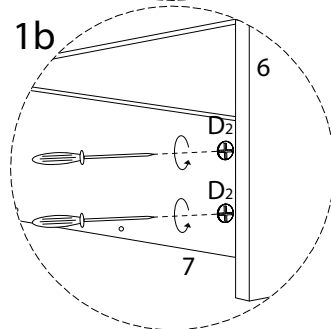
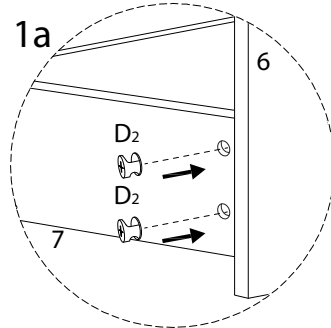
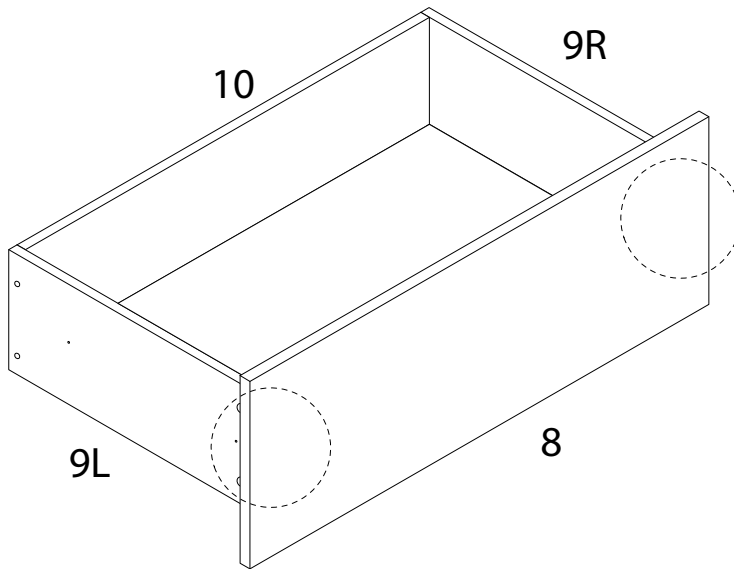
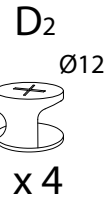
19 x 4



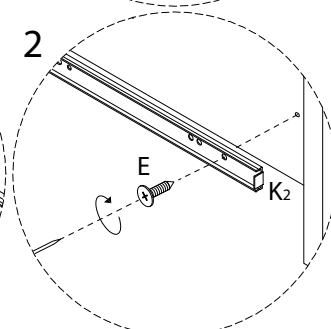
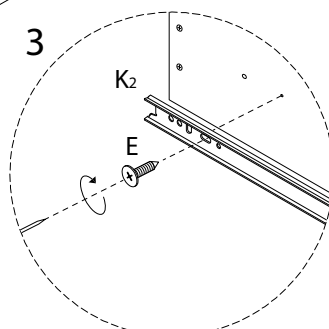
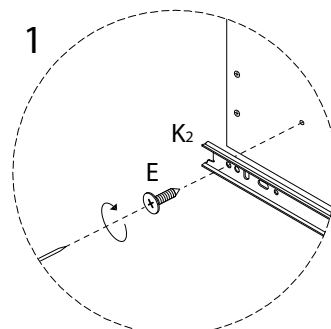
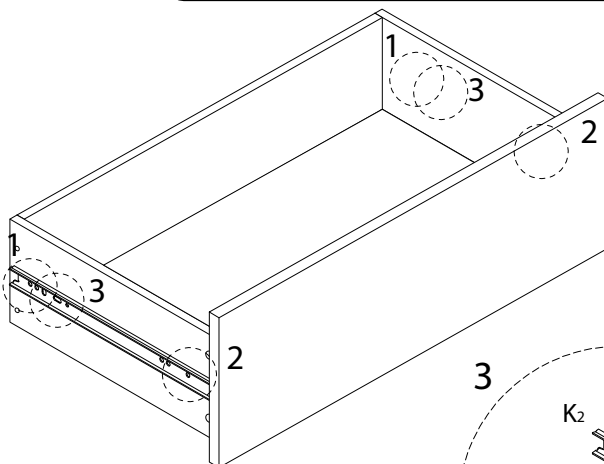
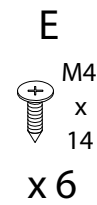
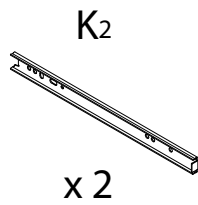
20 x 4



21 x 4

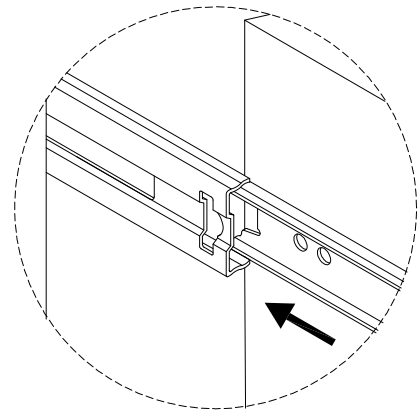
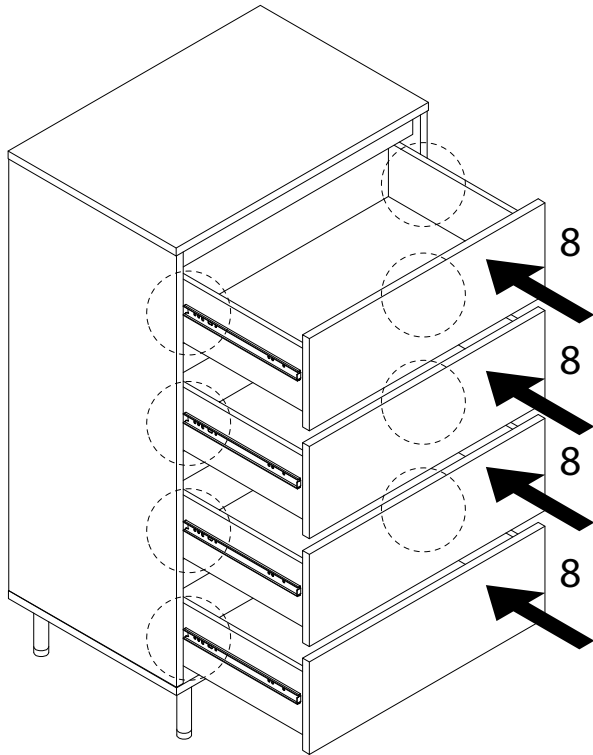


22 x 4

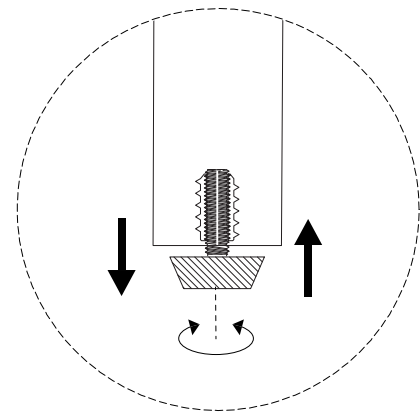
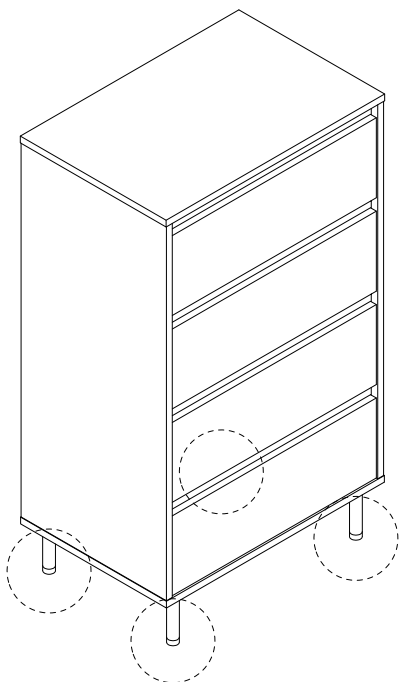




23

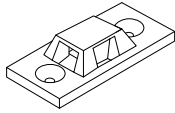


24



25

P<sub>2</sub>



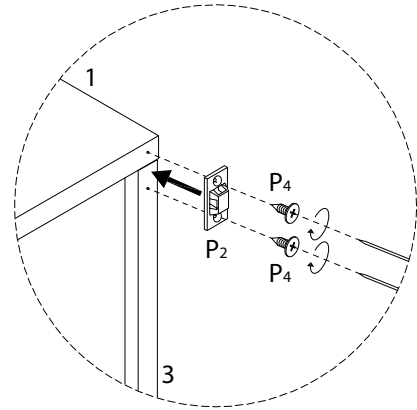
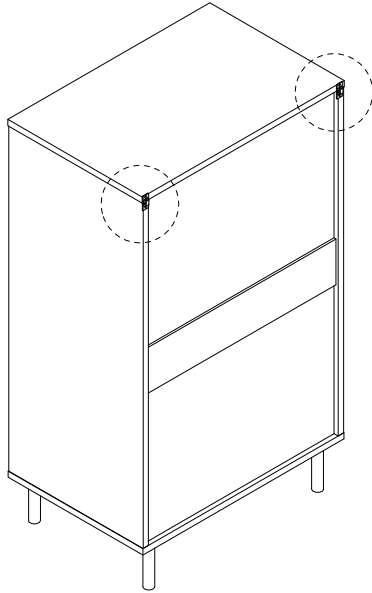
x 2

P<sub>4</sub>



M3  
x  
12

x 4



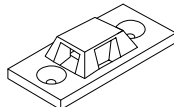
26

P<sub>1</sub>



x 4

P<sub>2</sub>



x 2

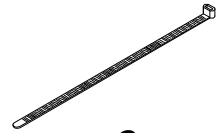
P<sub>3</sub>



M4  
x  
38

x 4

P<sub>5</sub>



x 2

