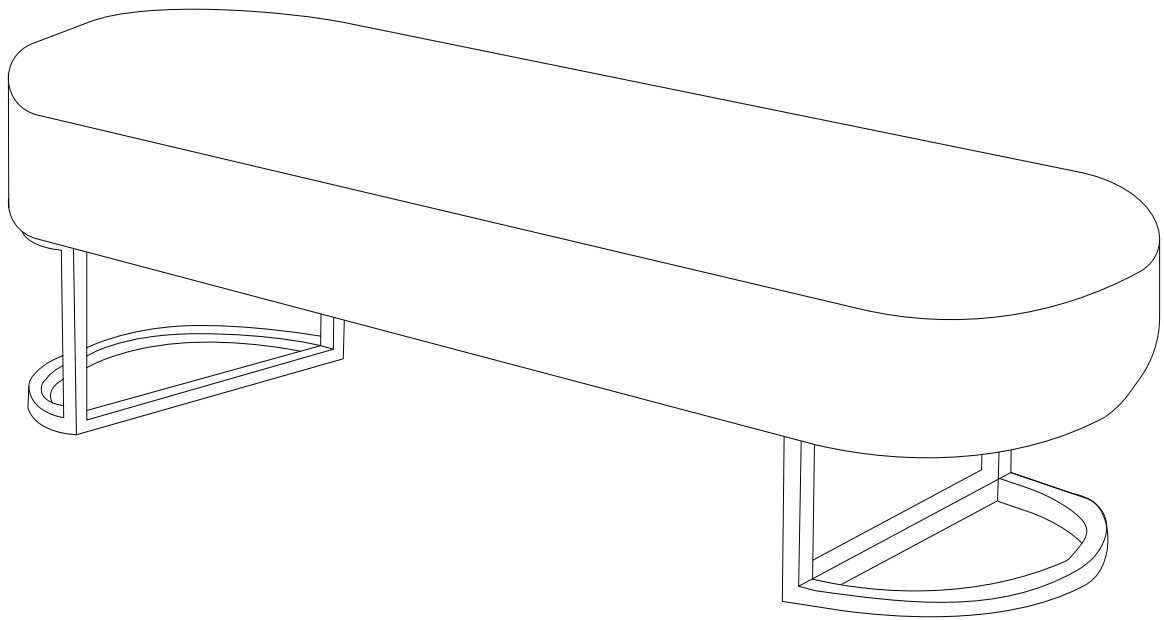
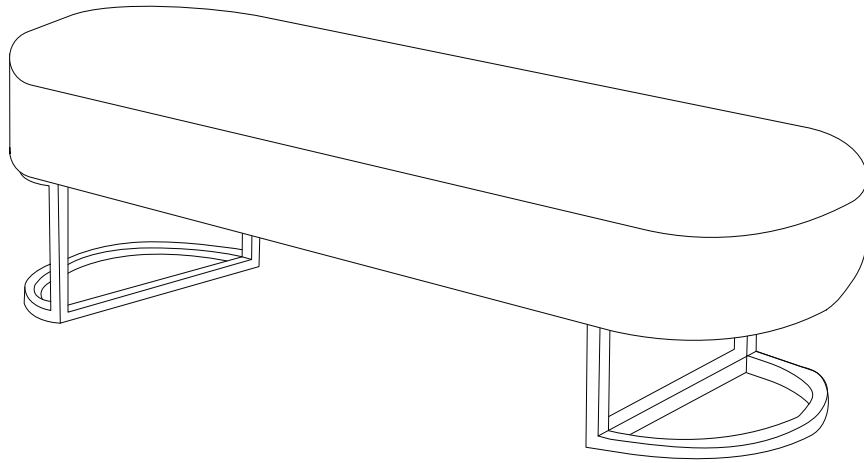


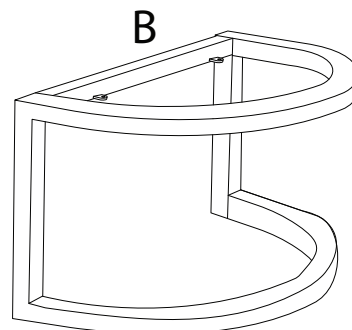
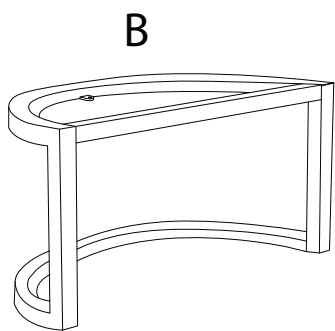
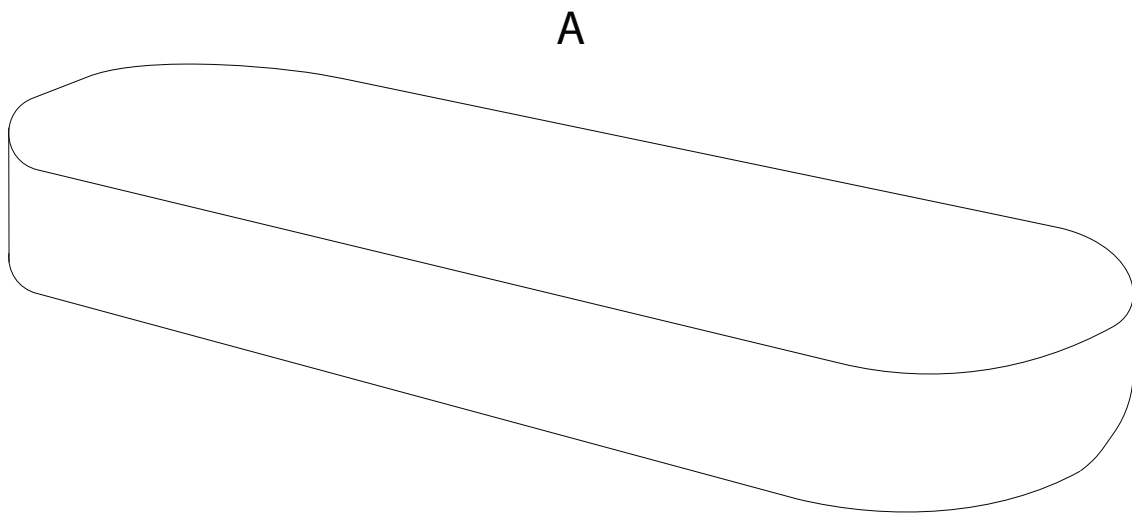
MILRY

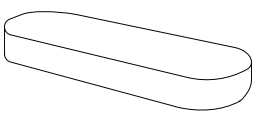
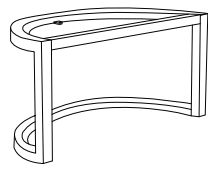

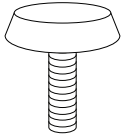




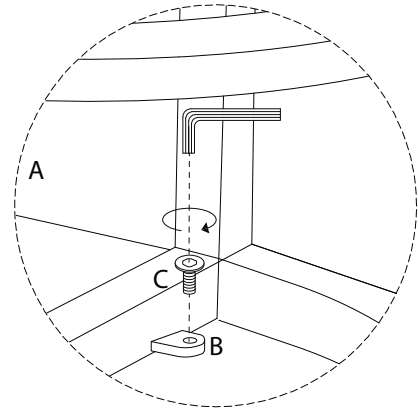
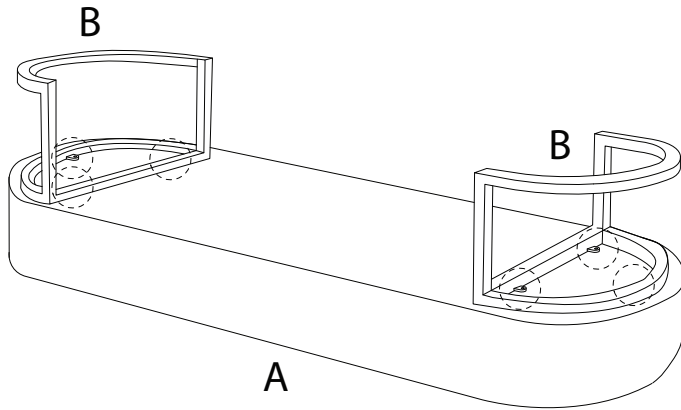
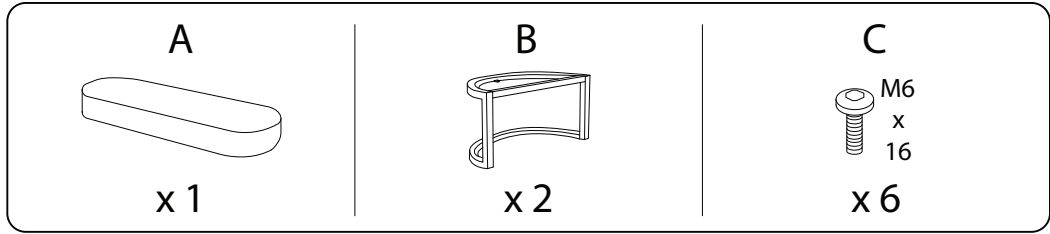
10'

1



A	B	C	D
		 <p>M6 x 16</p>	
x 1	x 2	x 6	x 6

1



2

