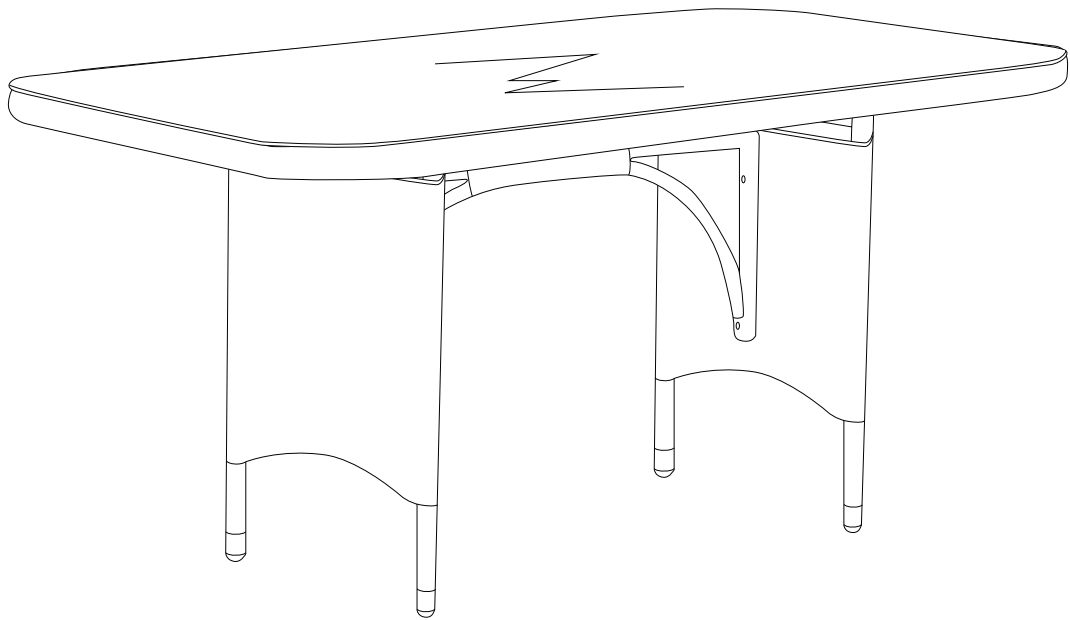


# LACONA



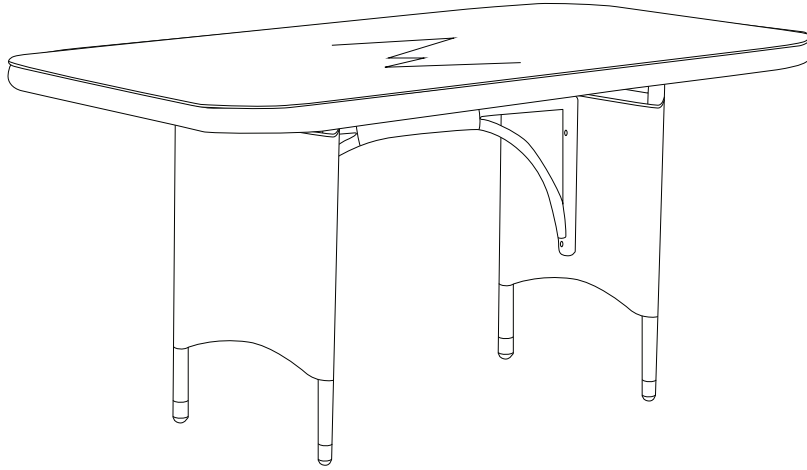
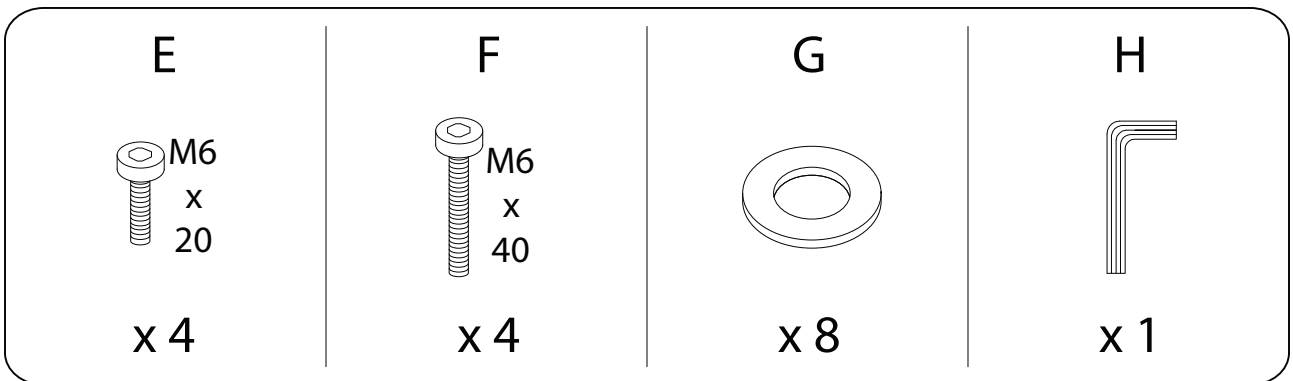
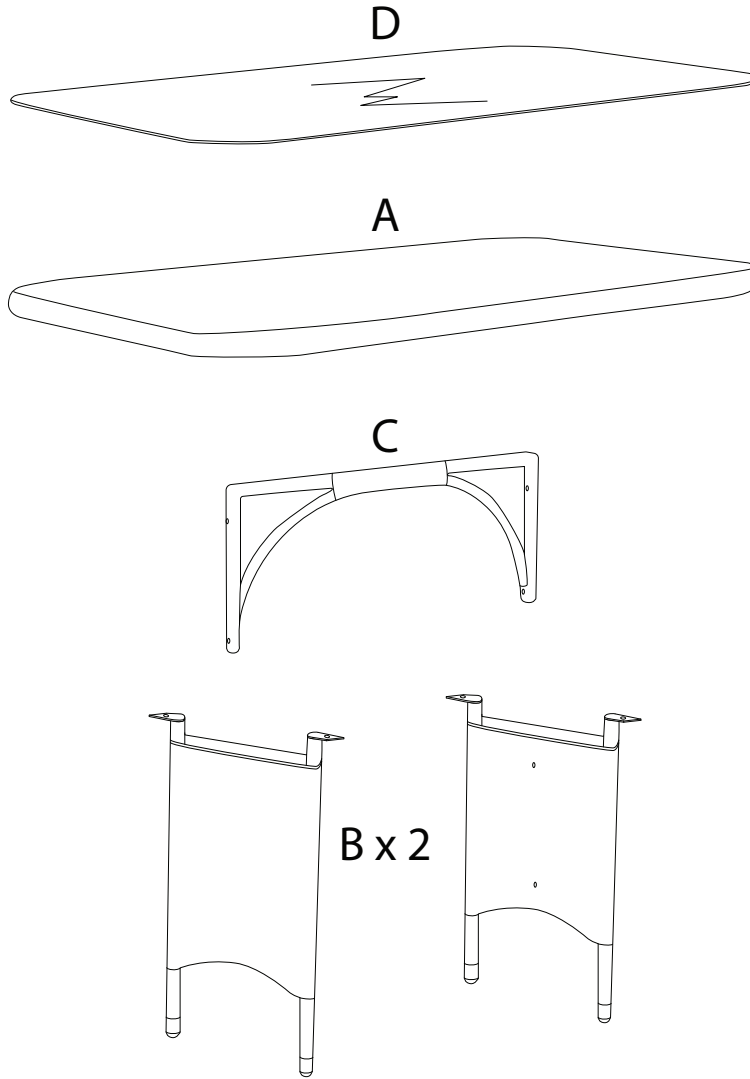
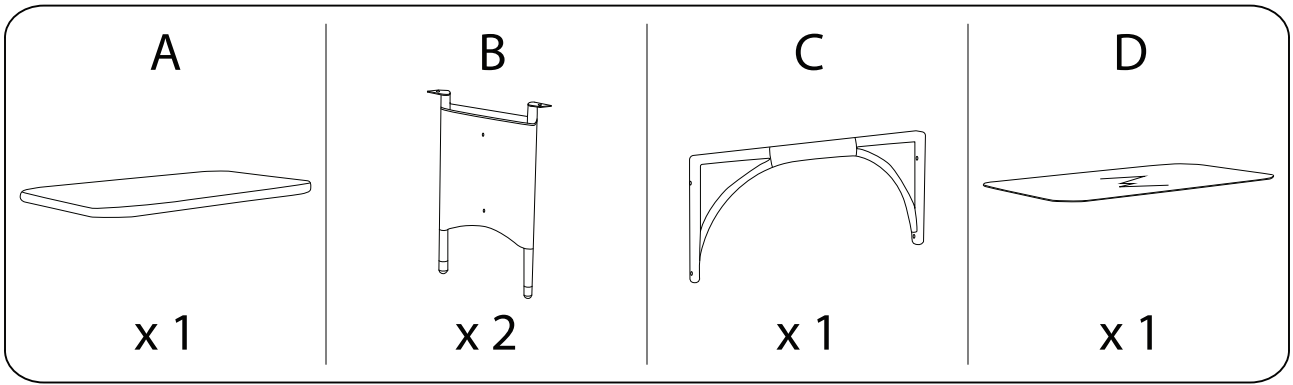


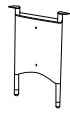
Diagram illustrating safety instructions for table assembly:

- Top Section:** Shows an L-shaped bracket and a power drill with a diagonal line through it, indicating that a power drill should not be used. A warning triangle with an exclamation mark is positioned to the right. Below this is a clock icon with the text "15'", indicating a 15-minute assembly time.
- Bottom Section:** Shows a rectangular block being placed on a surface with a diagonal line through it, indicating that the table should not be placed on an uneven or soft surface. A warning triangle with an exclamation mark is positioned to the right. Below this is a person icon with the text "1", indicating that one person should be used for assembly.



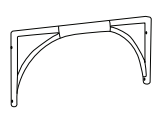
1

B



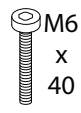
x 2

C



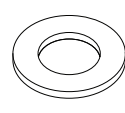
x 1

F



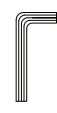
x 4

G

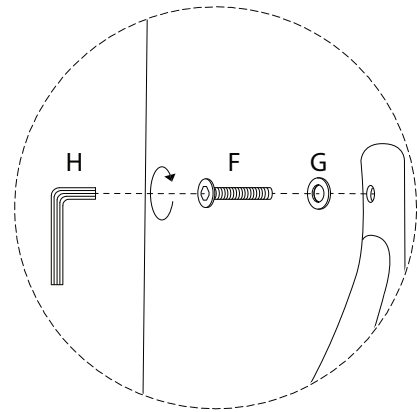
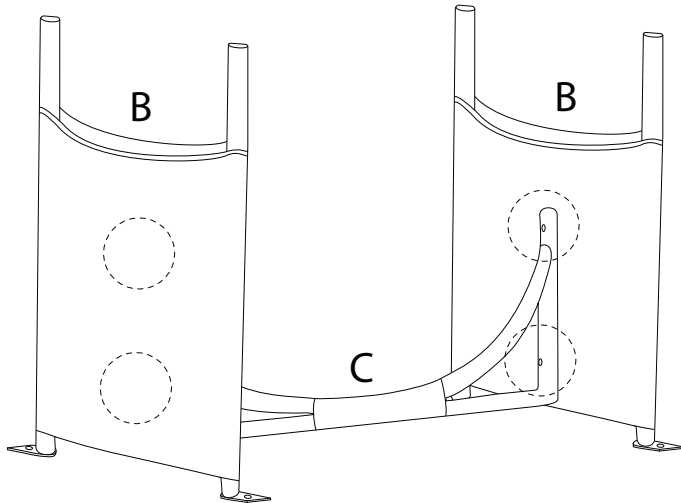


x 4

H



x 1



2

A



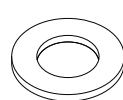
x 1

E



x 4

G

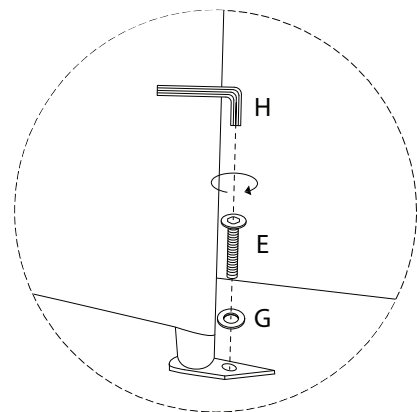
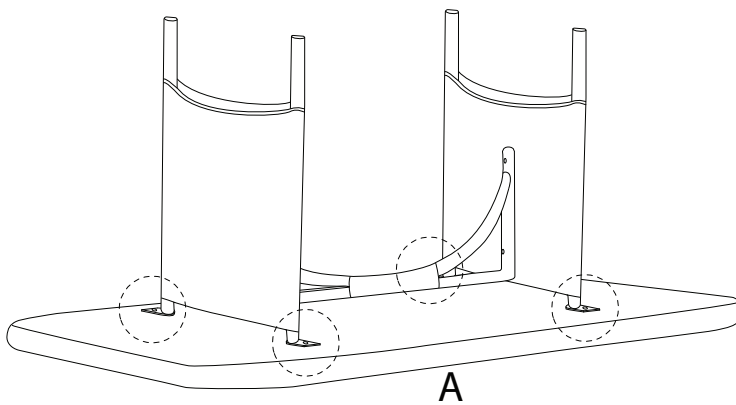


x 4

H



x 1



3

