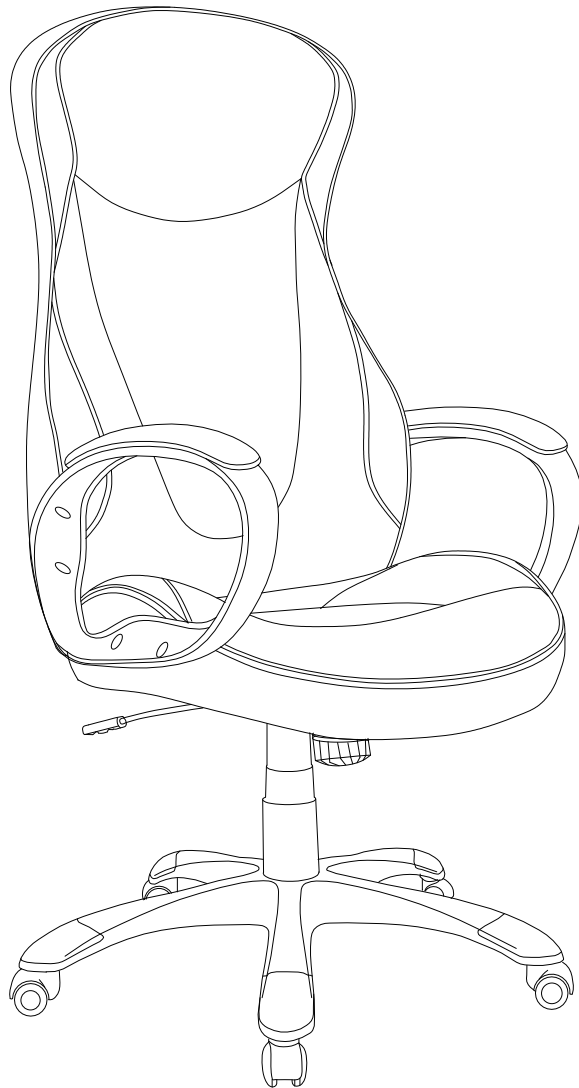
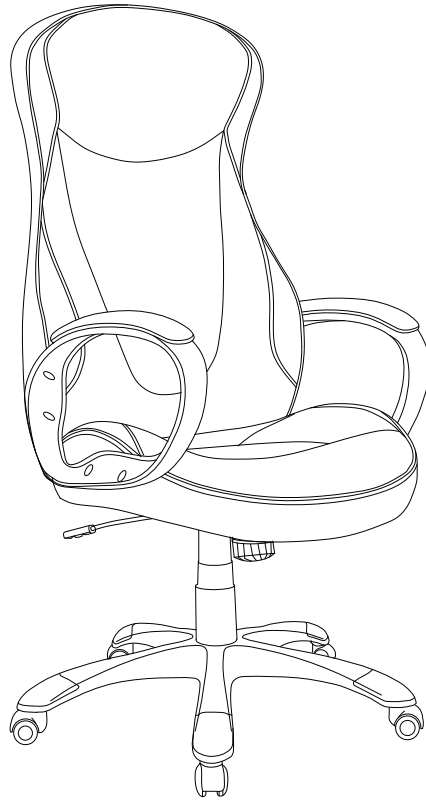


FELICITY



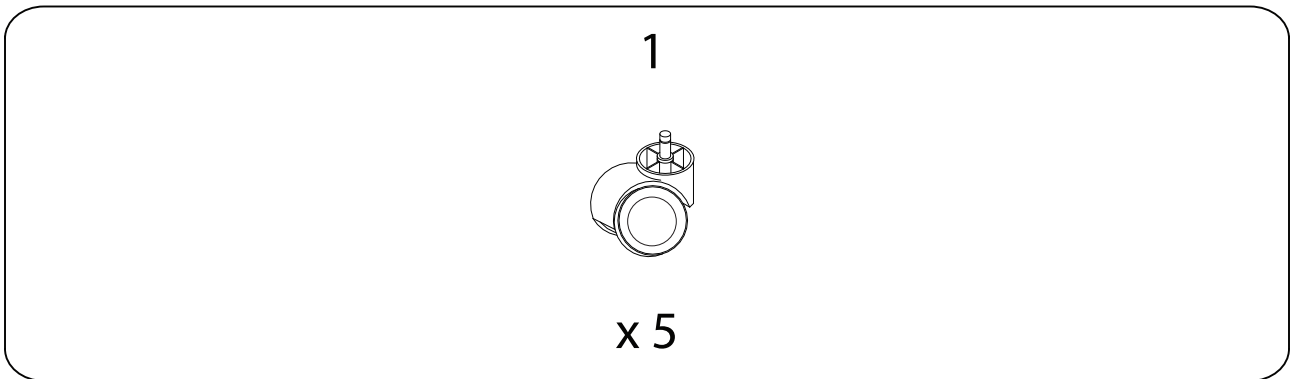
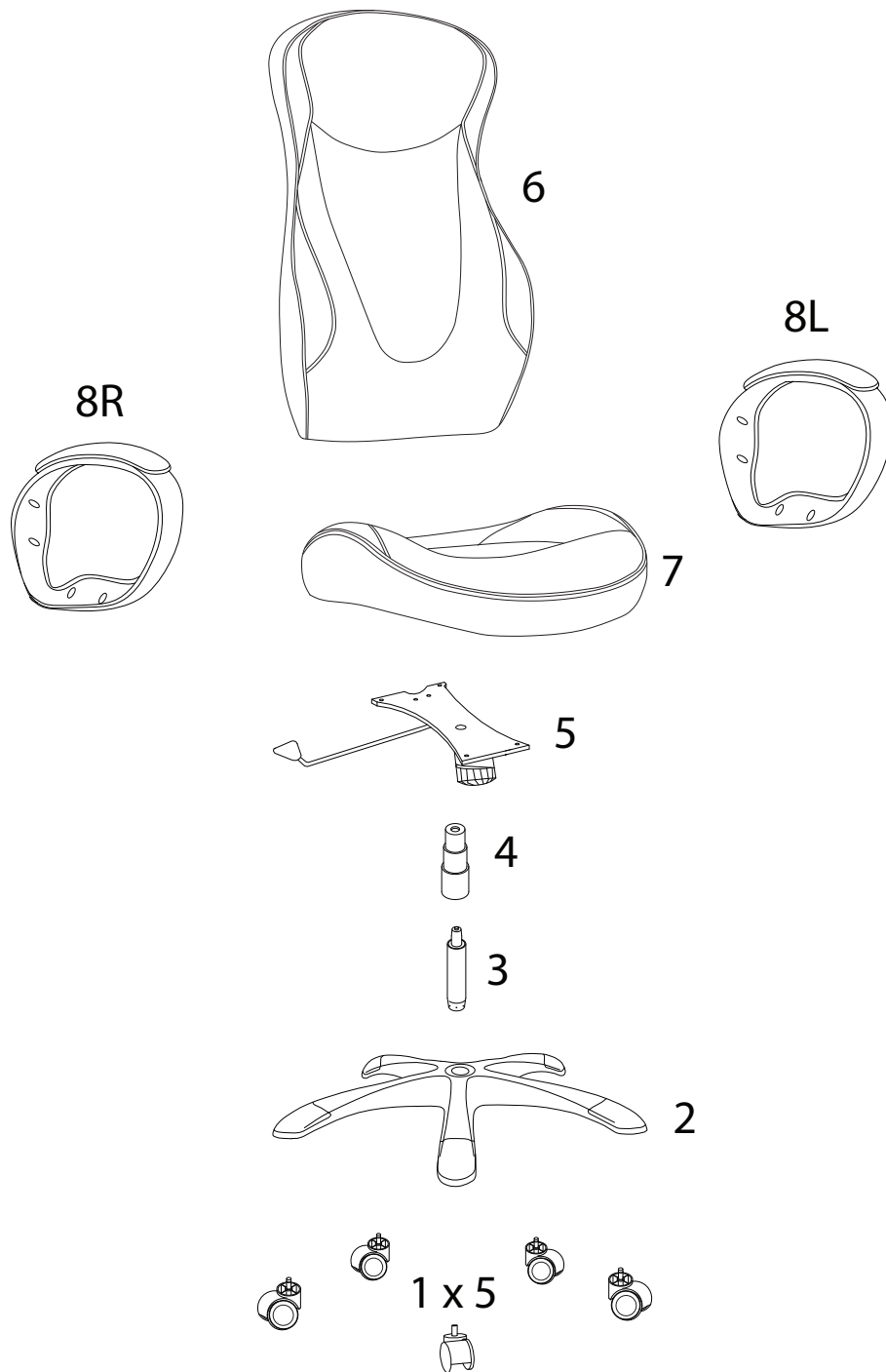


Assembly instructions for the chair base:

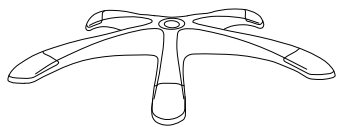
- Warning:** Do not use a power drill. Use an Allen key (shown in a circle) to tighten the base plate.
- Warning:** Do not use a screwdriver to adjust the base plate. Use a block of wood (shown in a circle) to support the base plate during adjustment.

Estimated assembly time: 20'

Number of people required: 1



2



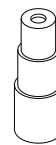
x 1

3



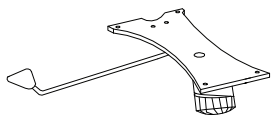
x 1

4



x 1

5



x 1

6



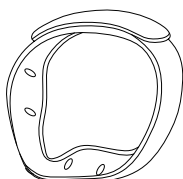
x 1

7



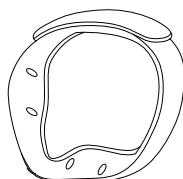
x 1

8R



x 1

8L



x 1

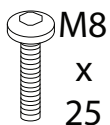
9



M6
x
22

x 4

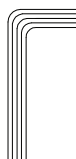
10



M8
x
25

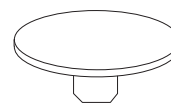
x 8

11



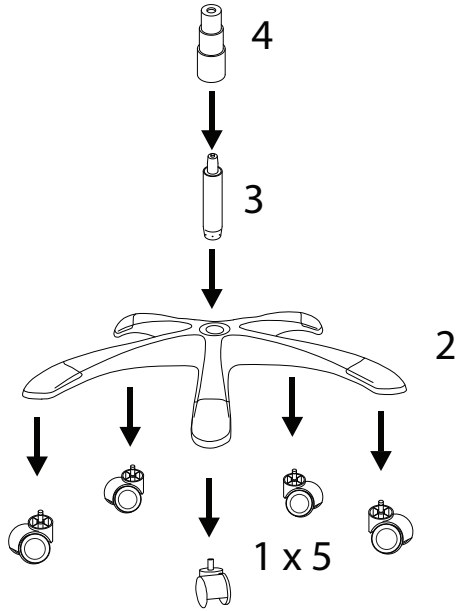
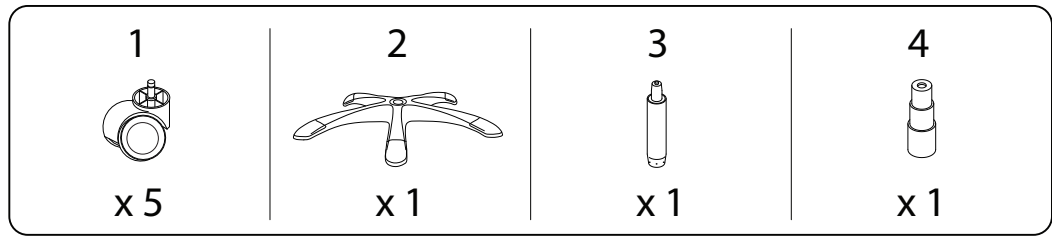
x 1

12

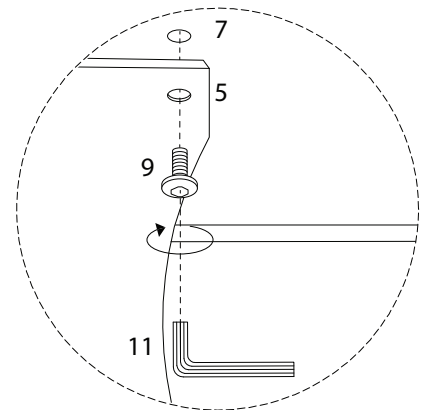
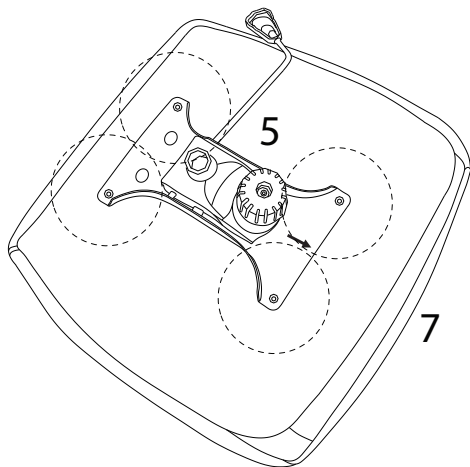
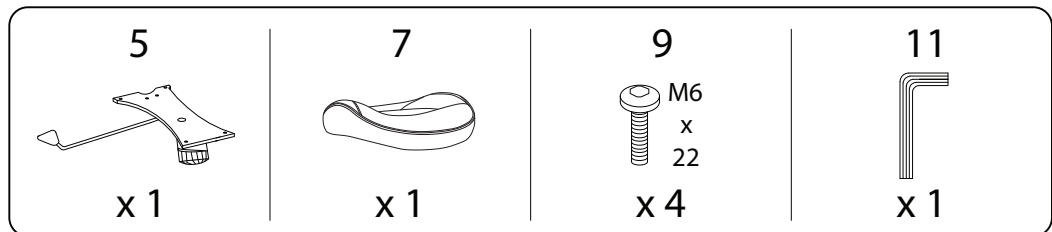


x 8

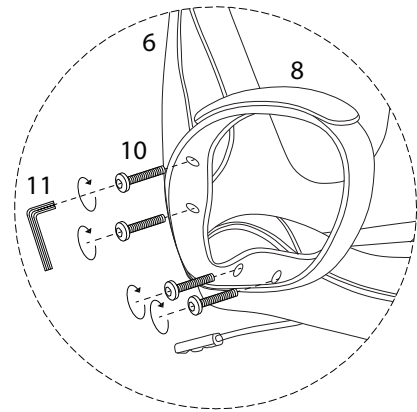
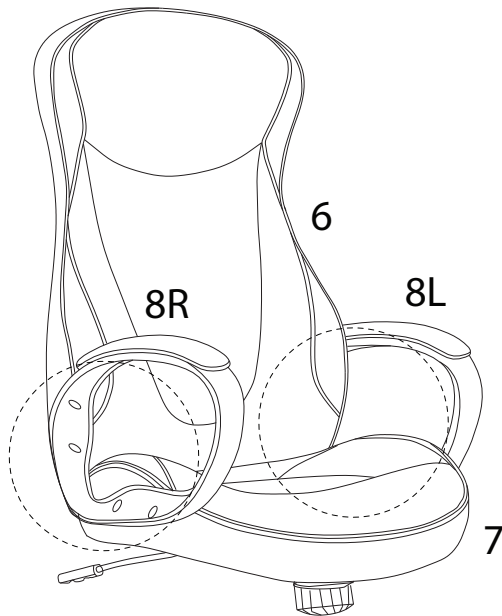
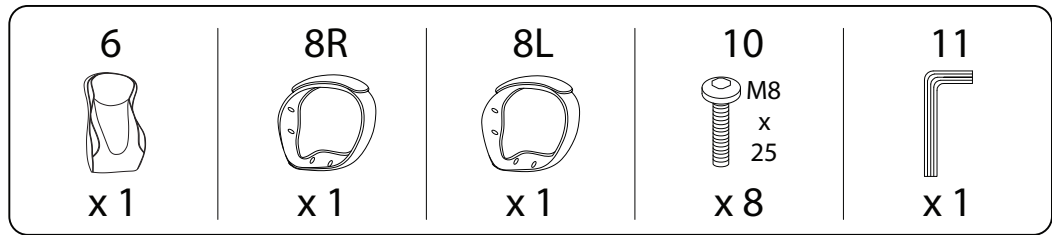
1



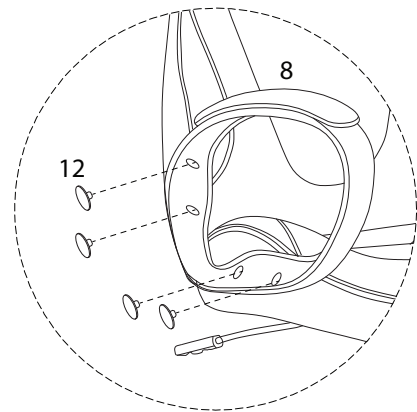
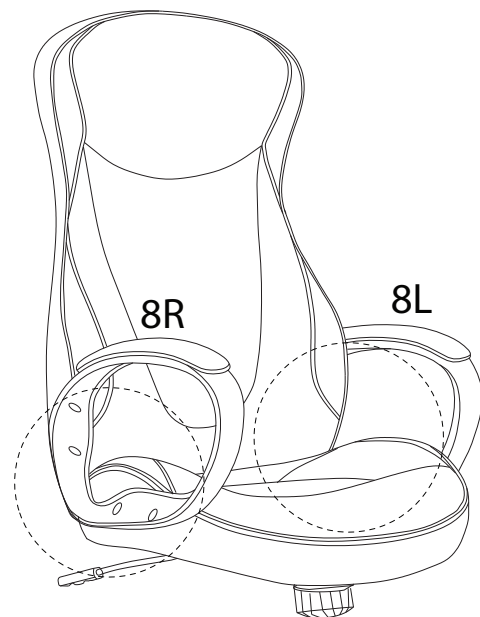
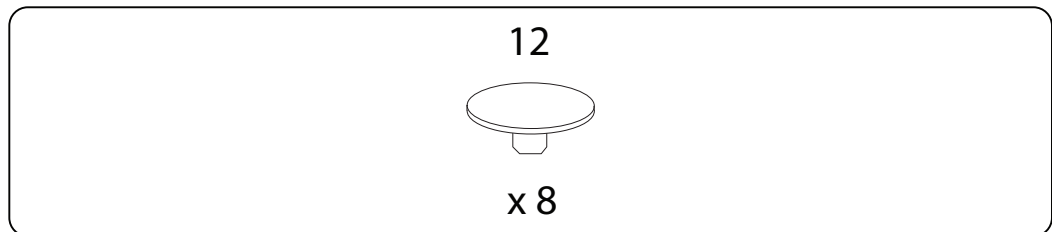
2



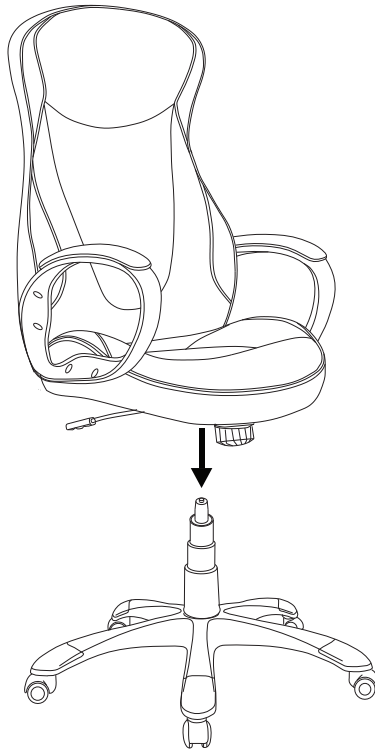
3



4



5



!

